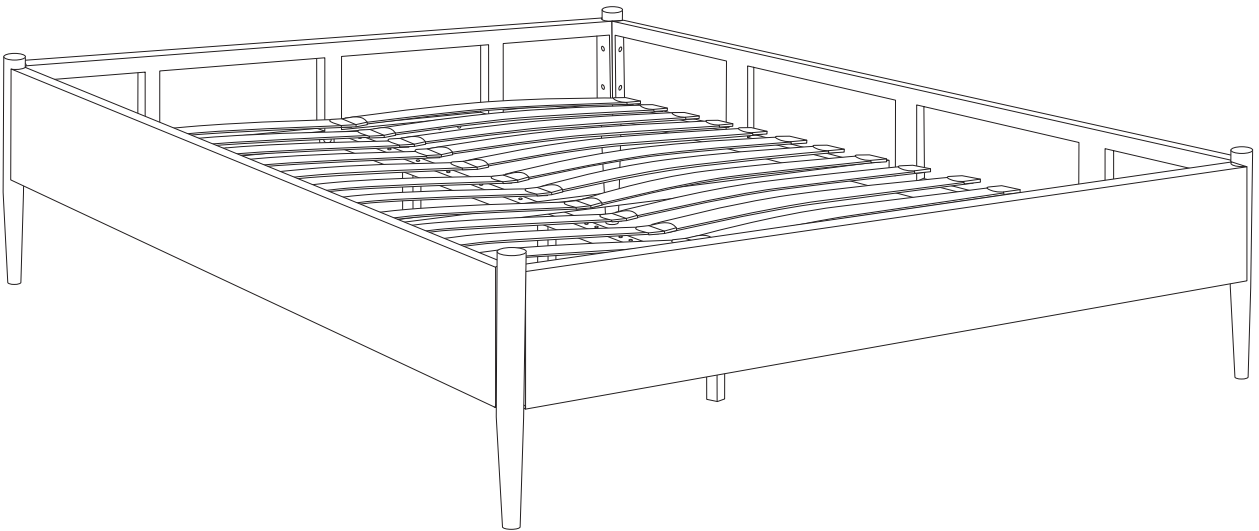
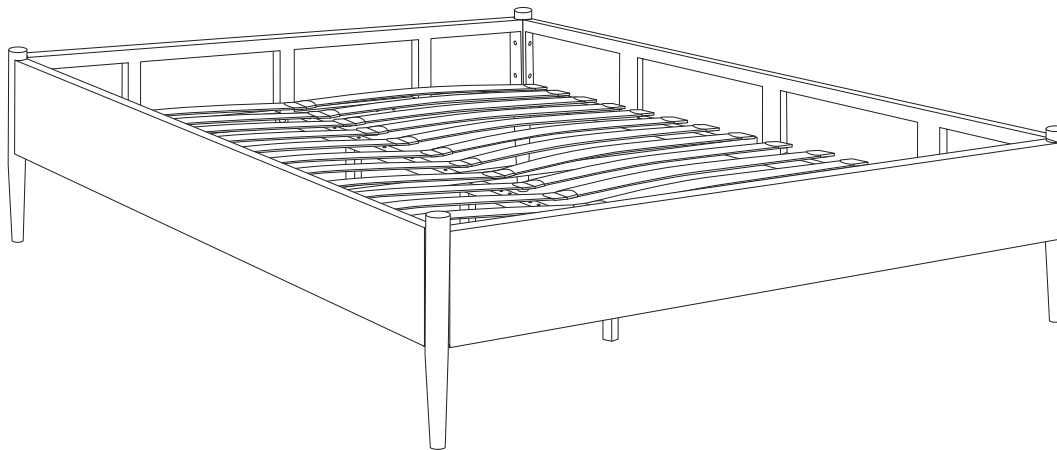
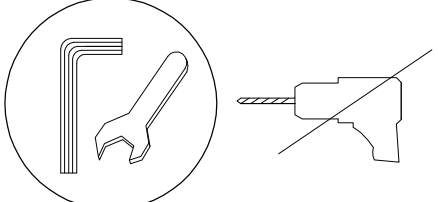

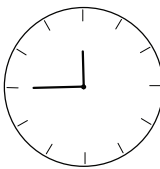
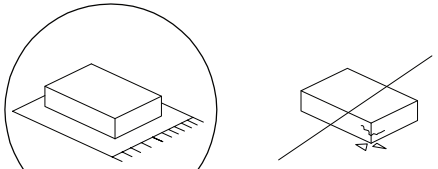


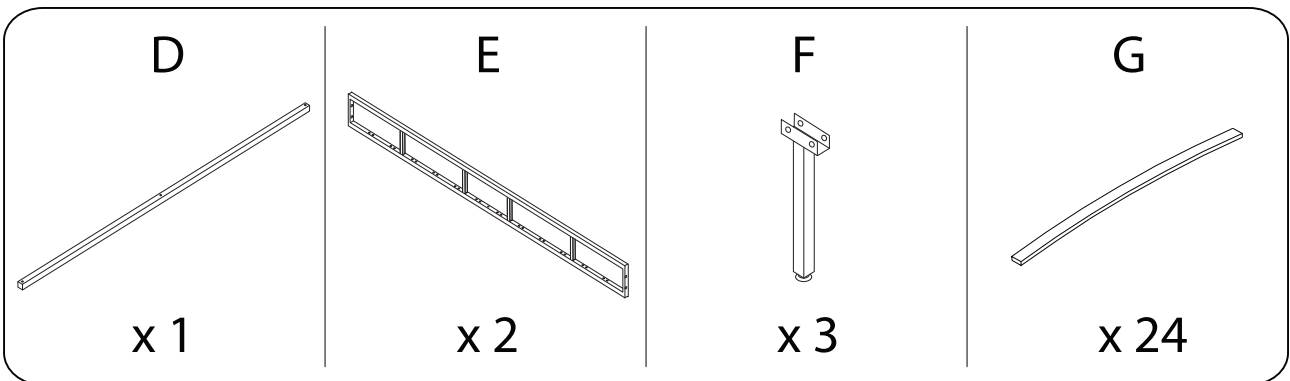
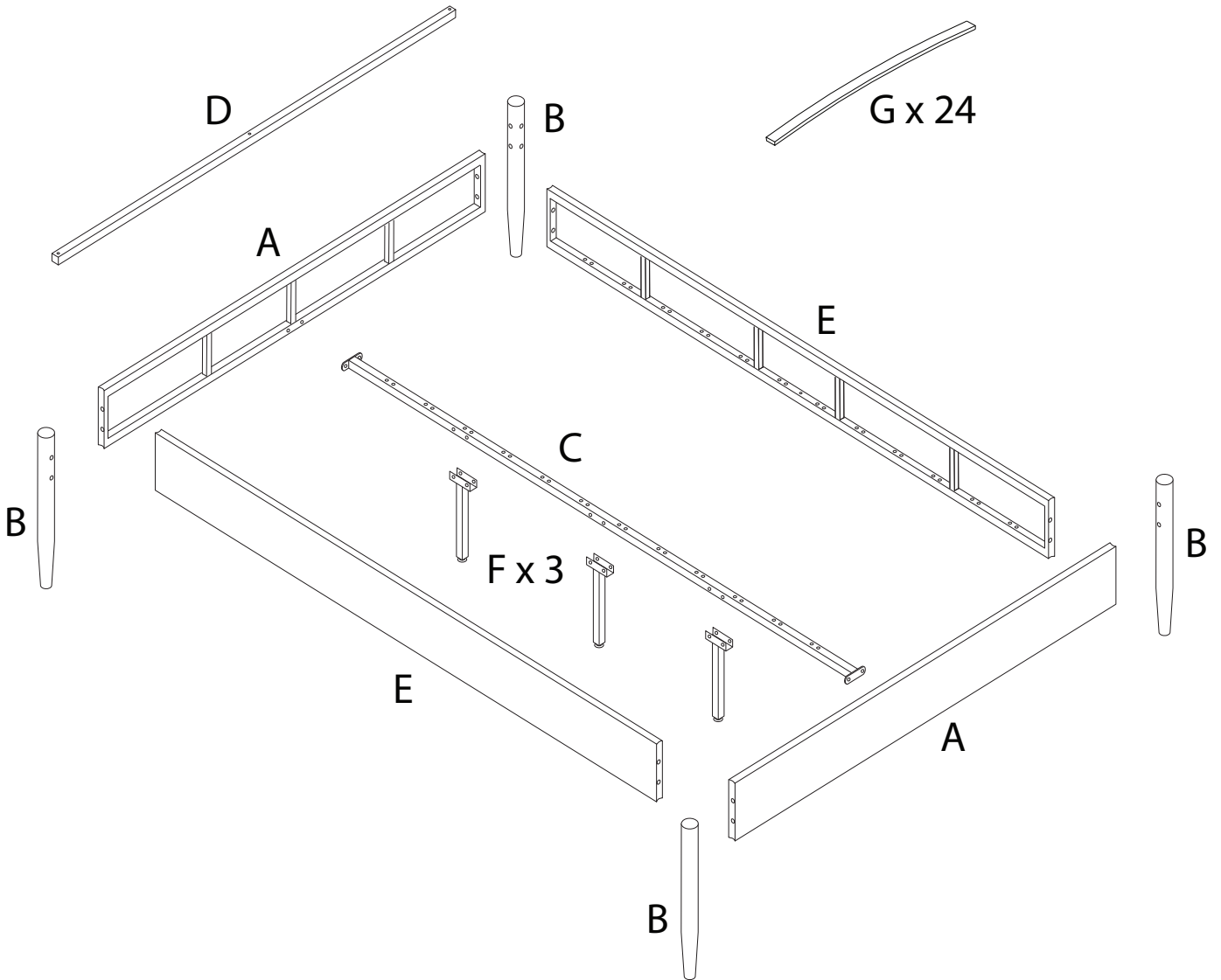
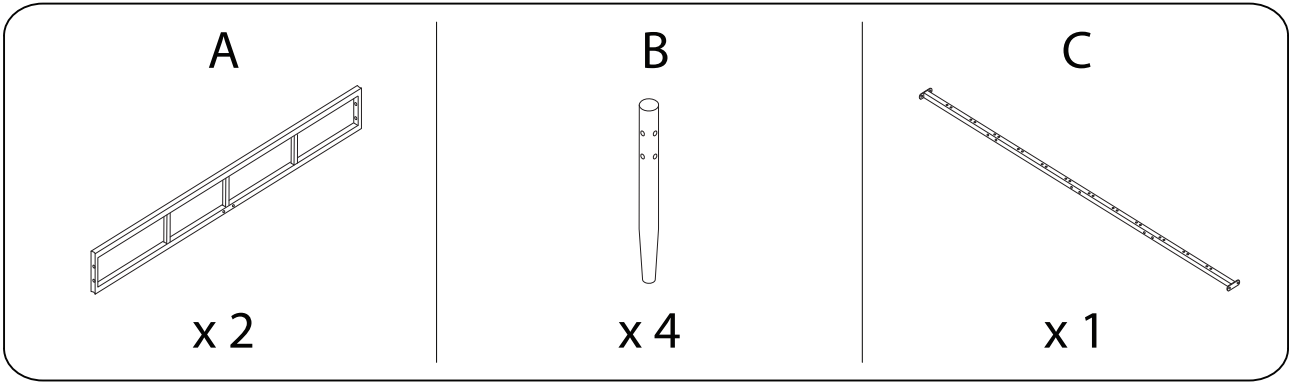


VAURS

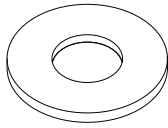




		
		45'
		
		2

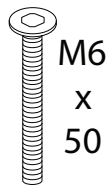


H



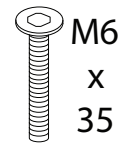
x 33

I



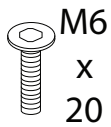
x 2

J



x 1

K



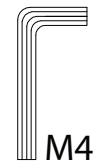
x 20

L



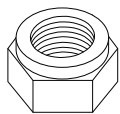
x 1

M



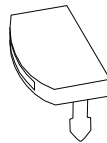
x 1

N



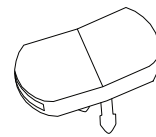
x 8

O



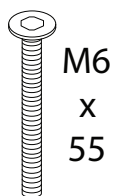
x 24

P



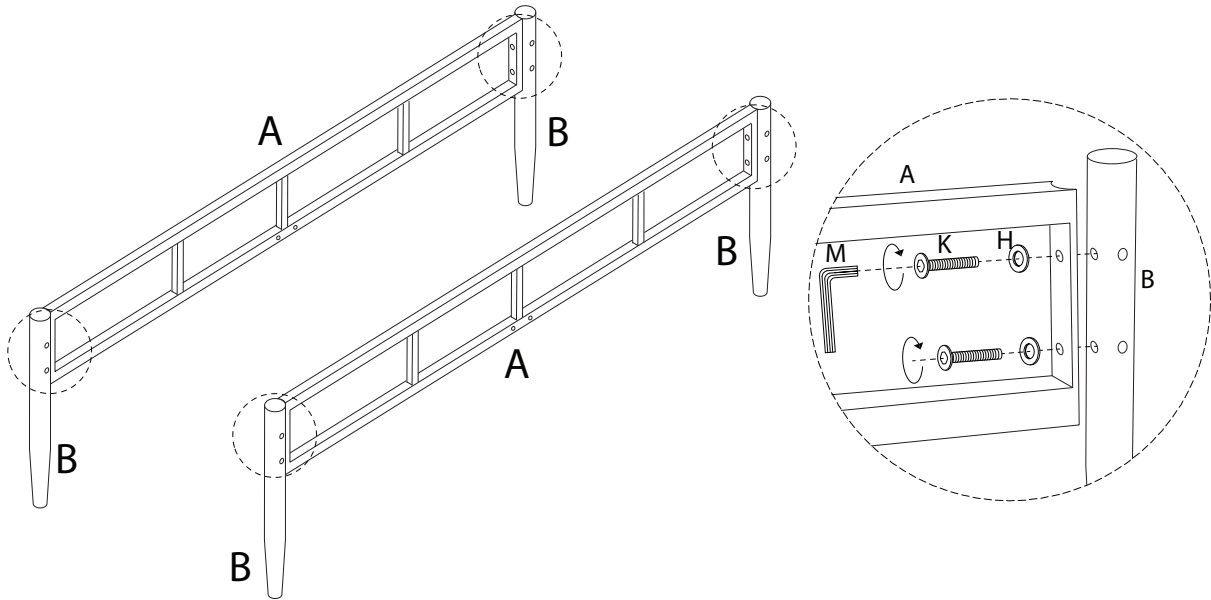
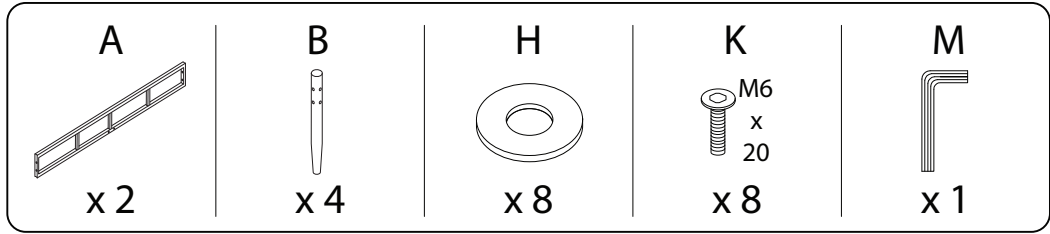
x 12

Q

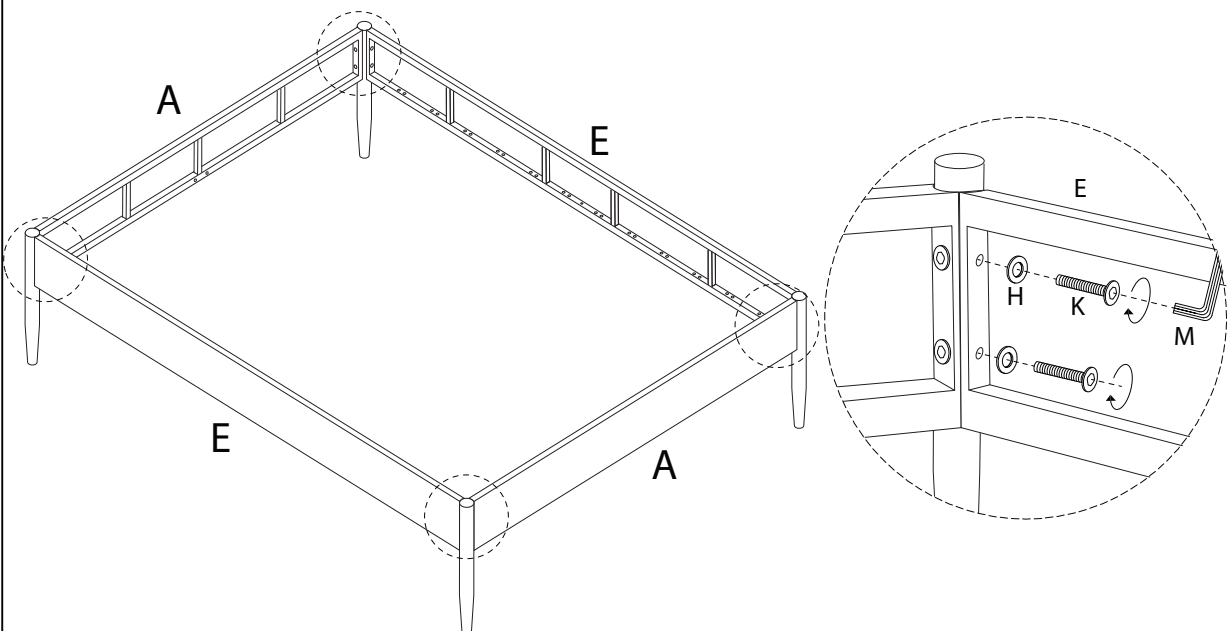
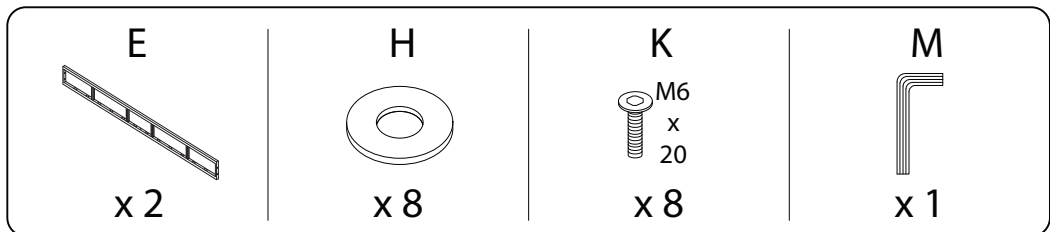


x 6

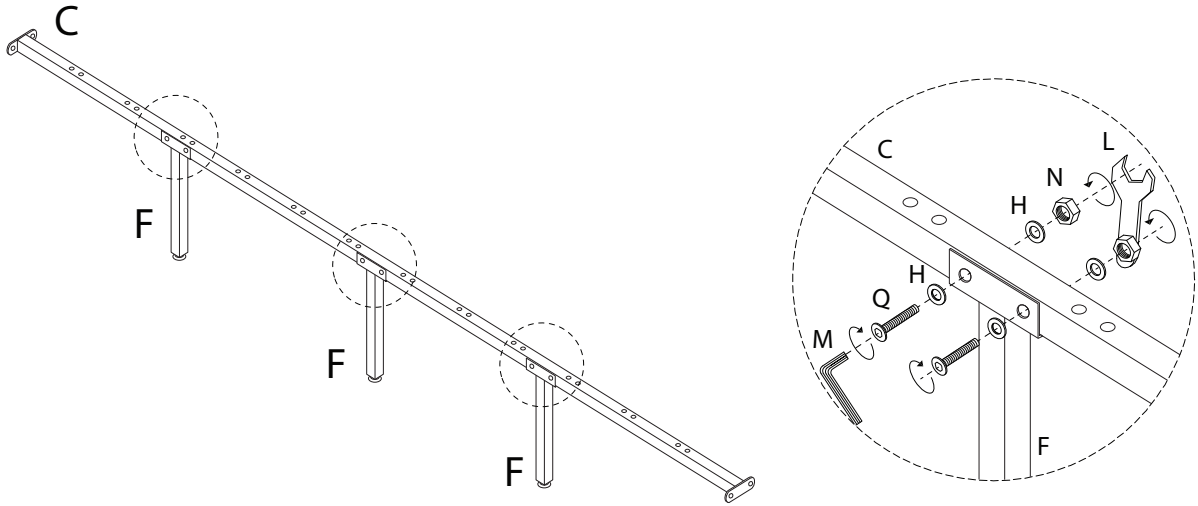
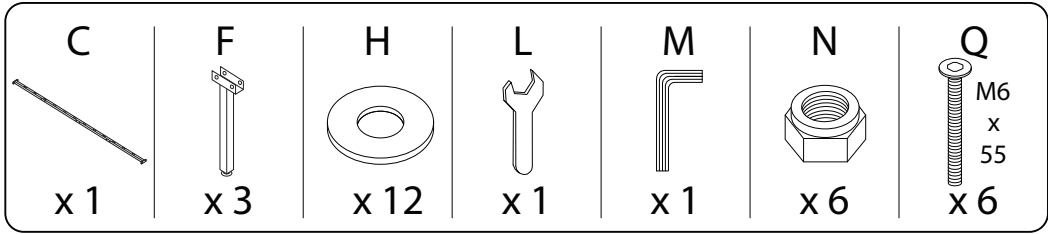
1



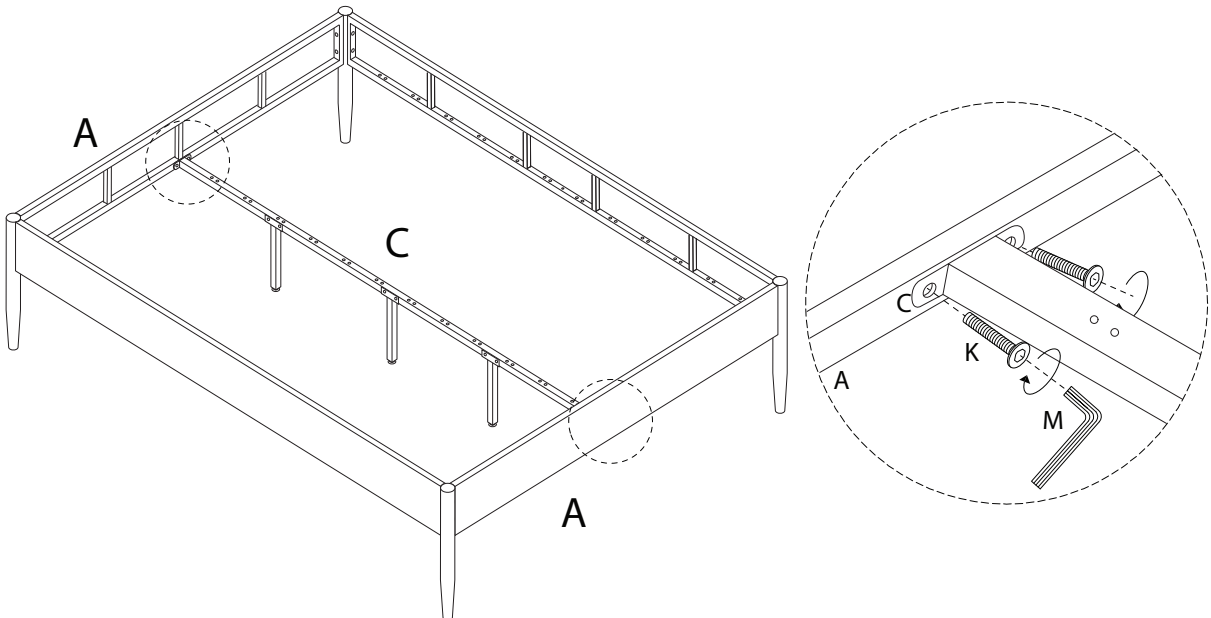
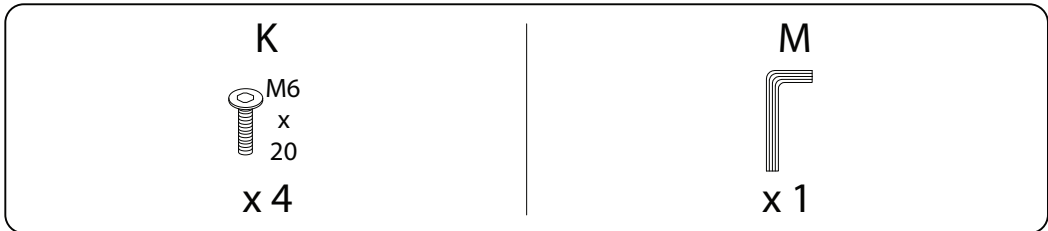
2



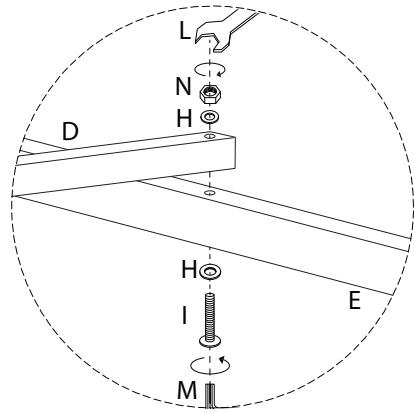
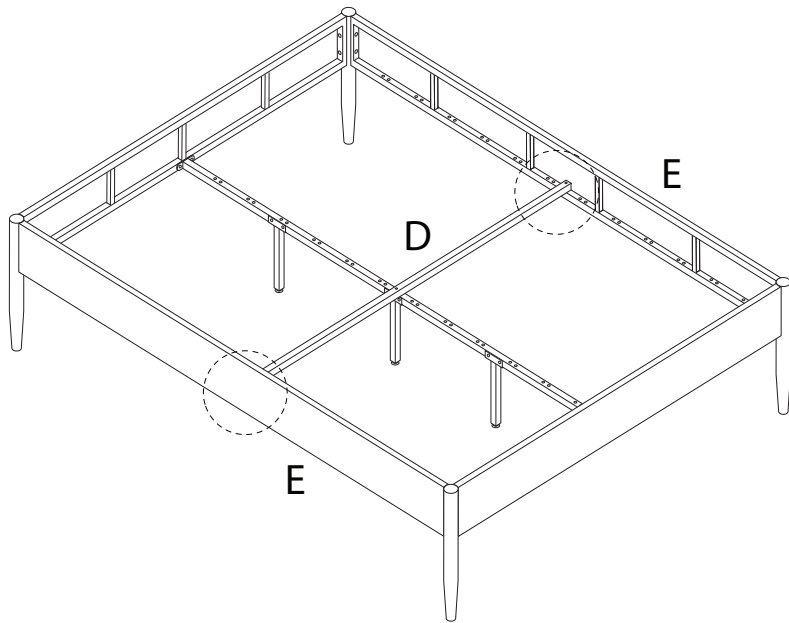
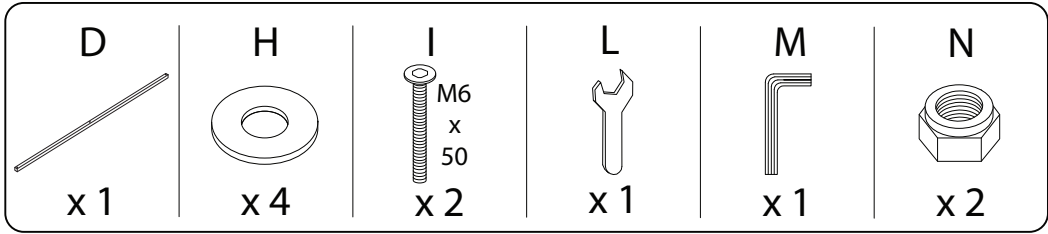
3



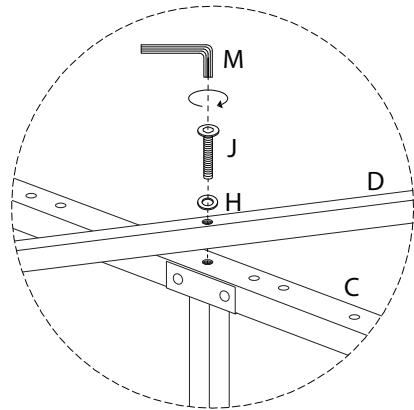
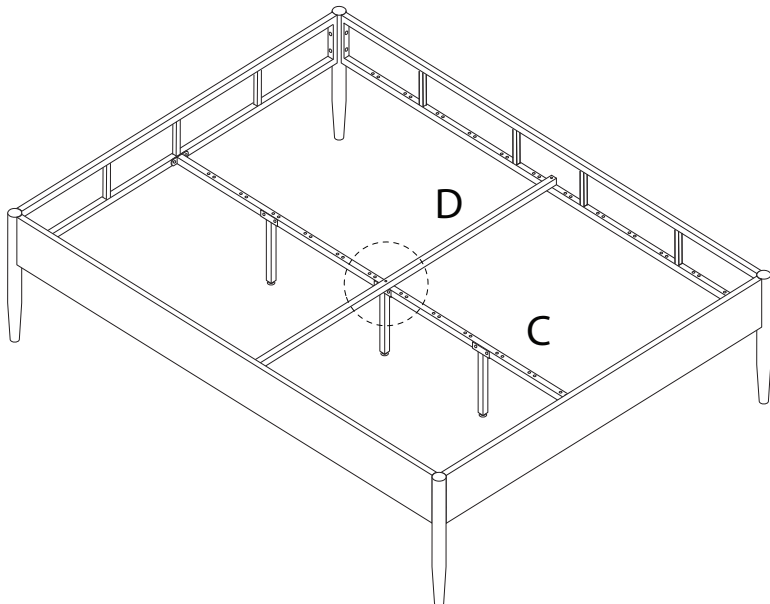
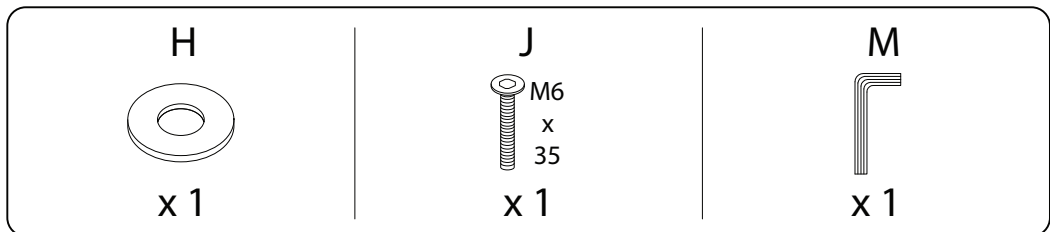
4



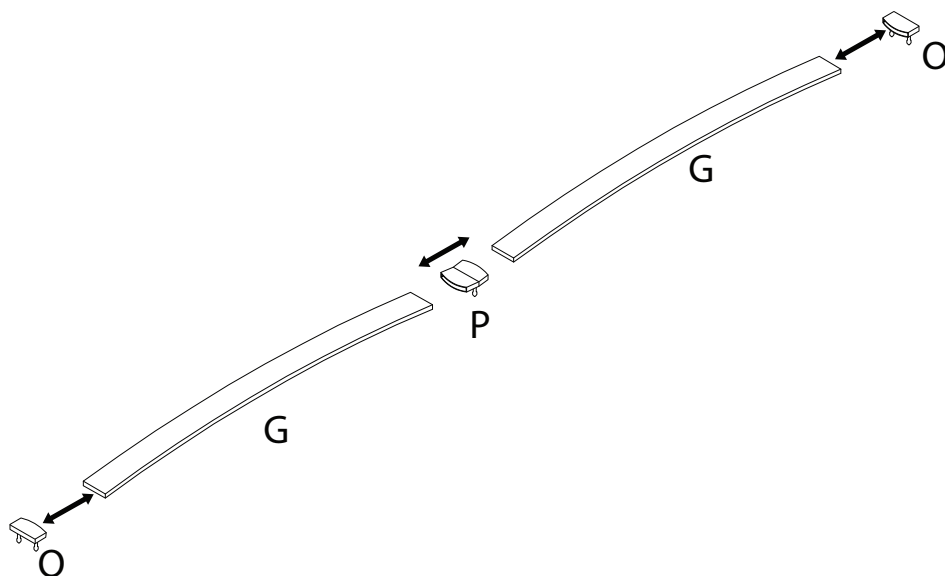
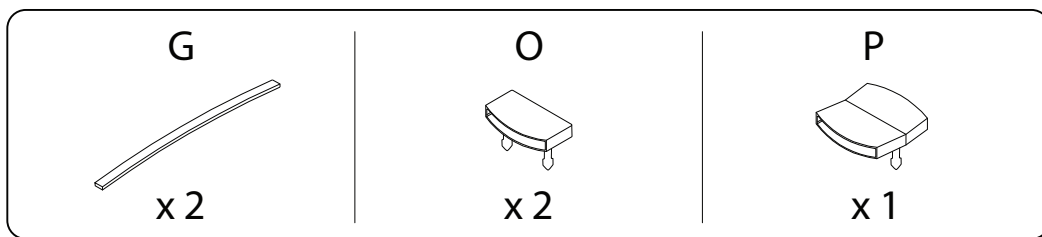
5



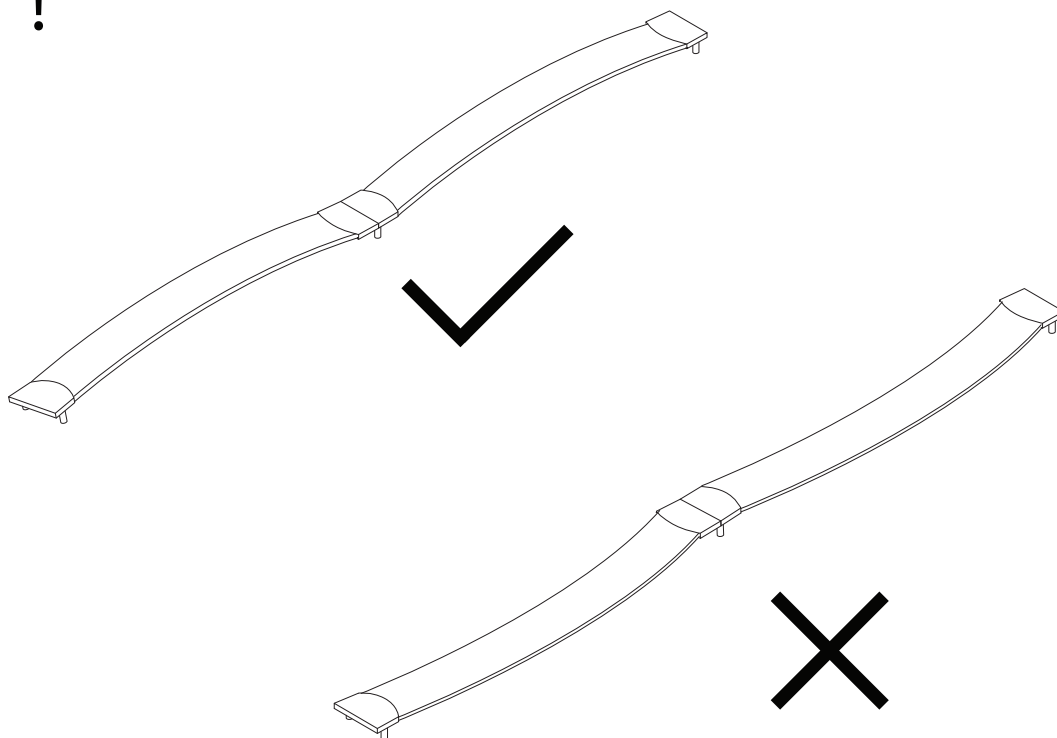
6



7 x 12



!



8

