
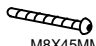





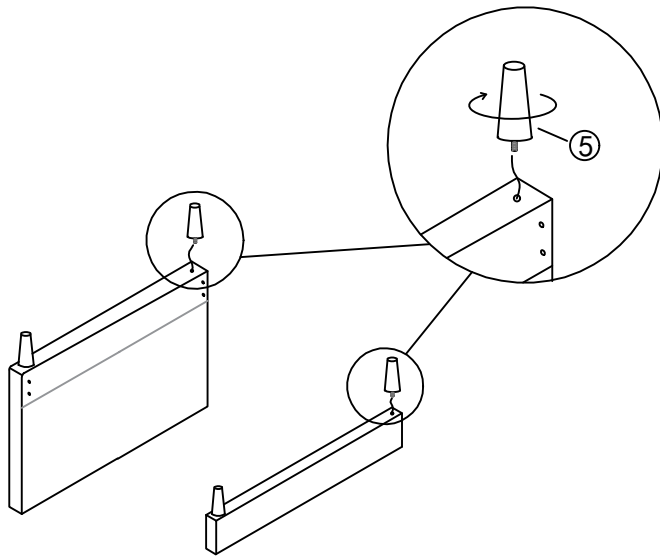
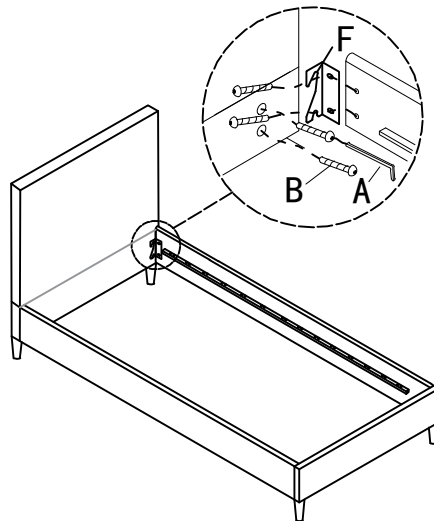
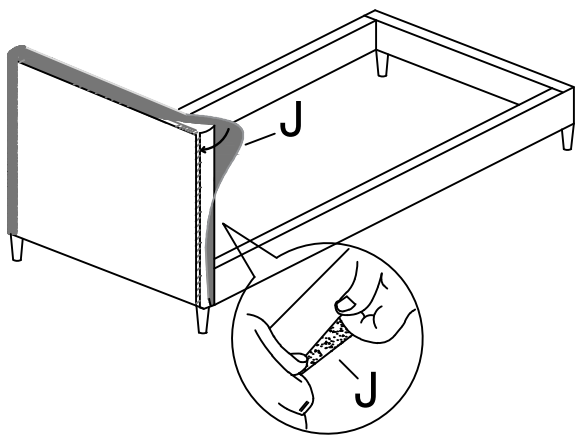
 Ax1	 M8X20MM Bx16	 M8X45MM Cx2	 Dx2
 Fx4	 Ix28	 HEADBOARD COVER Jx1	 FOOTBOARD/SIDEBOARD COVER Kx1



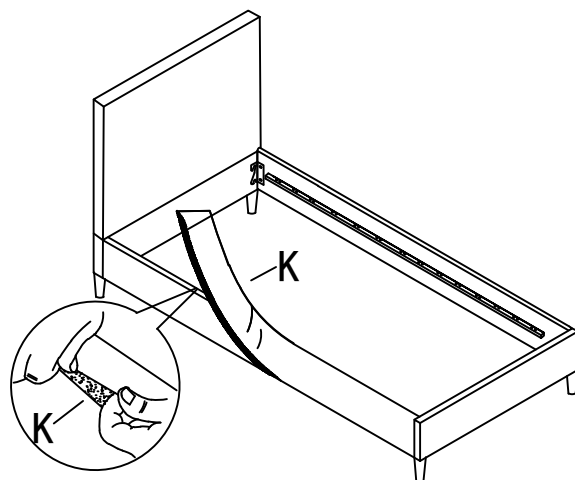
Step 1



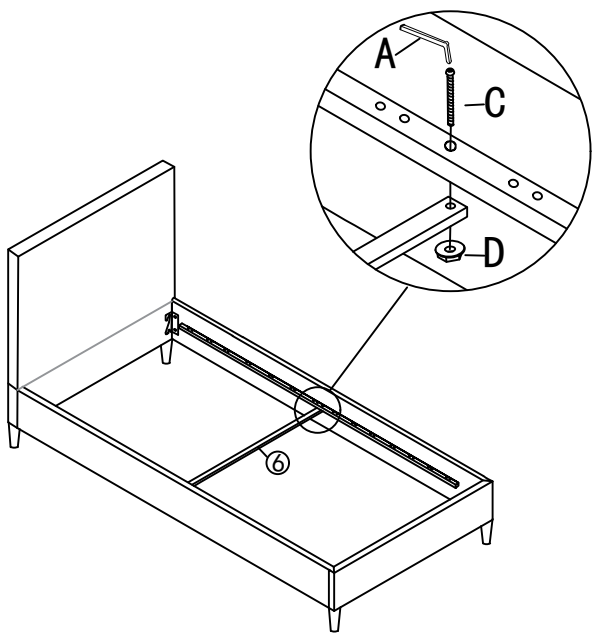
Step 2



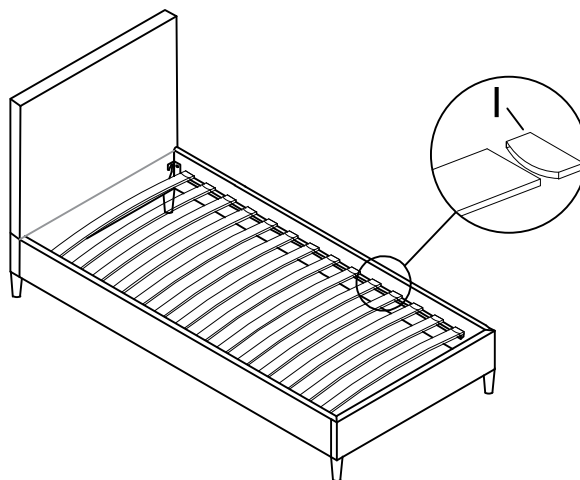
Step 3



Step 4



Step 5



Step 6