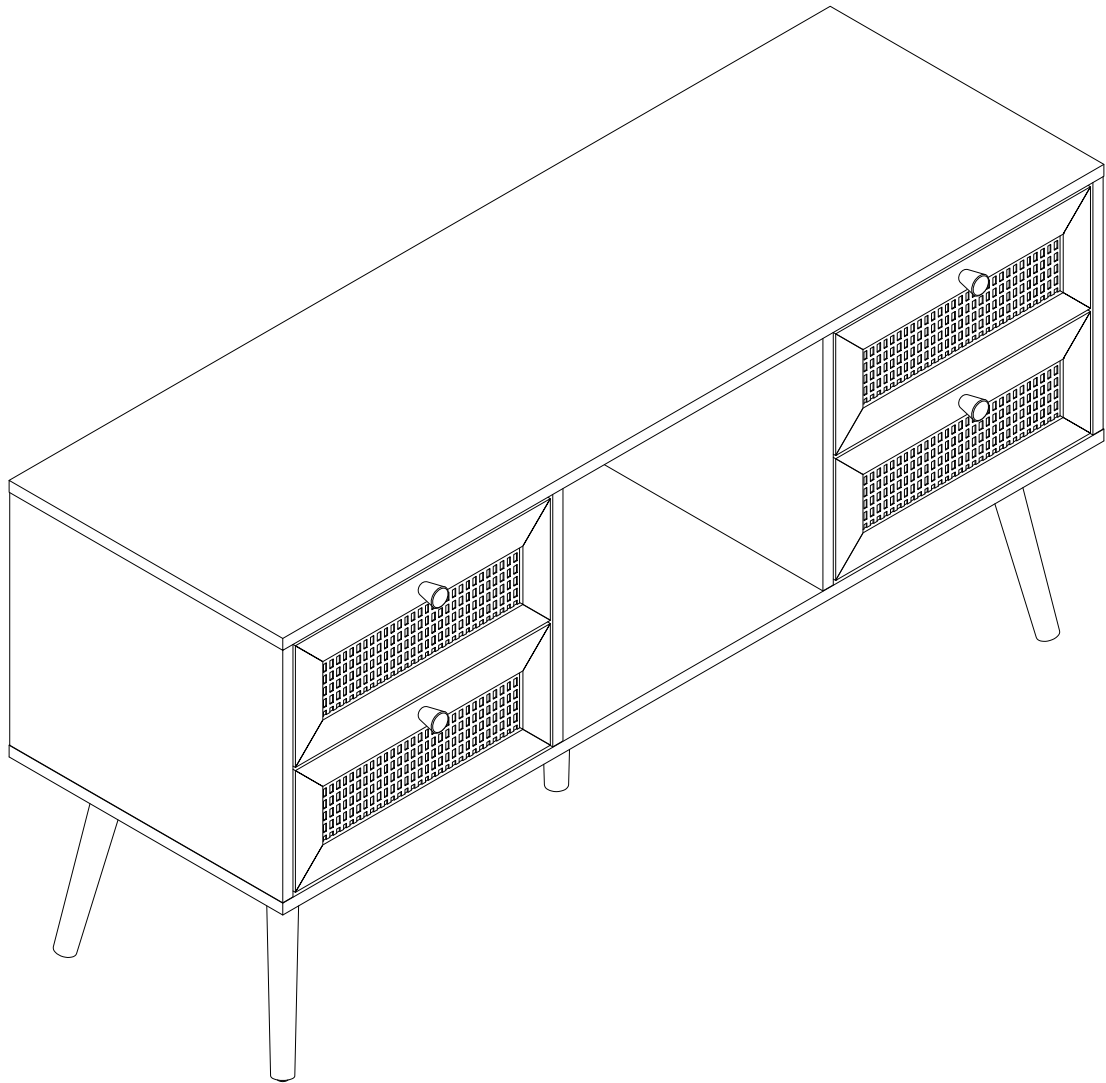
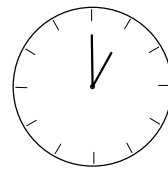
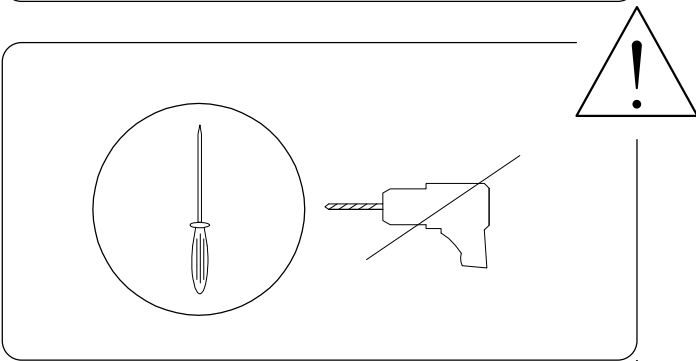
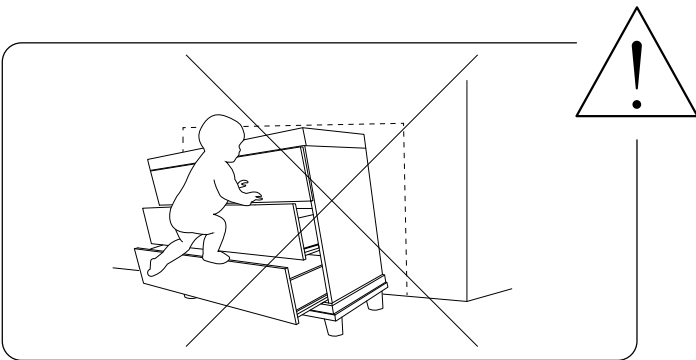
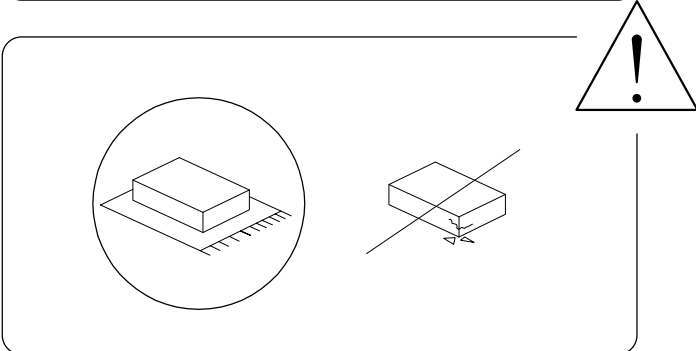


PEROTE

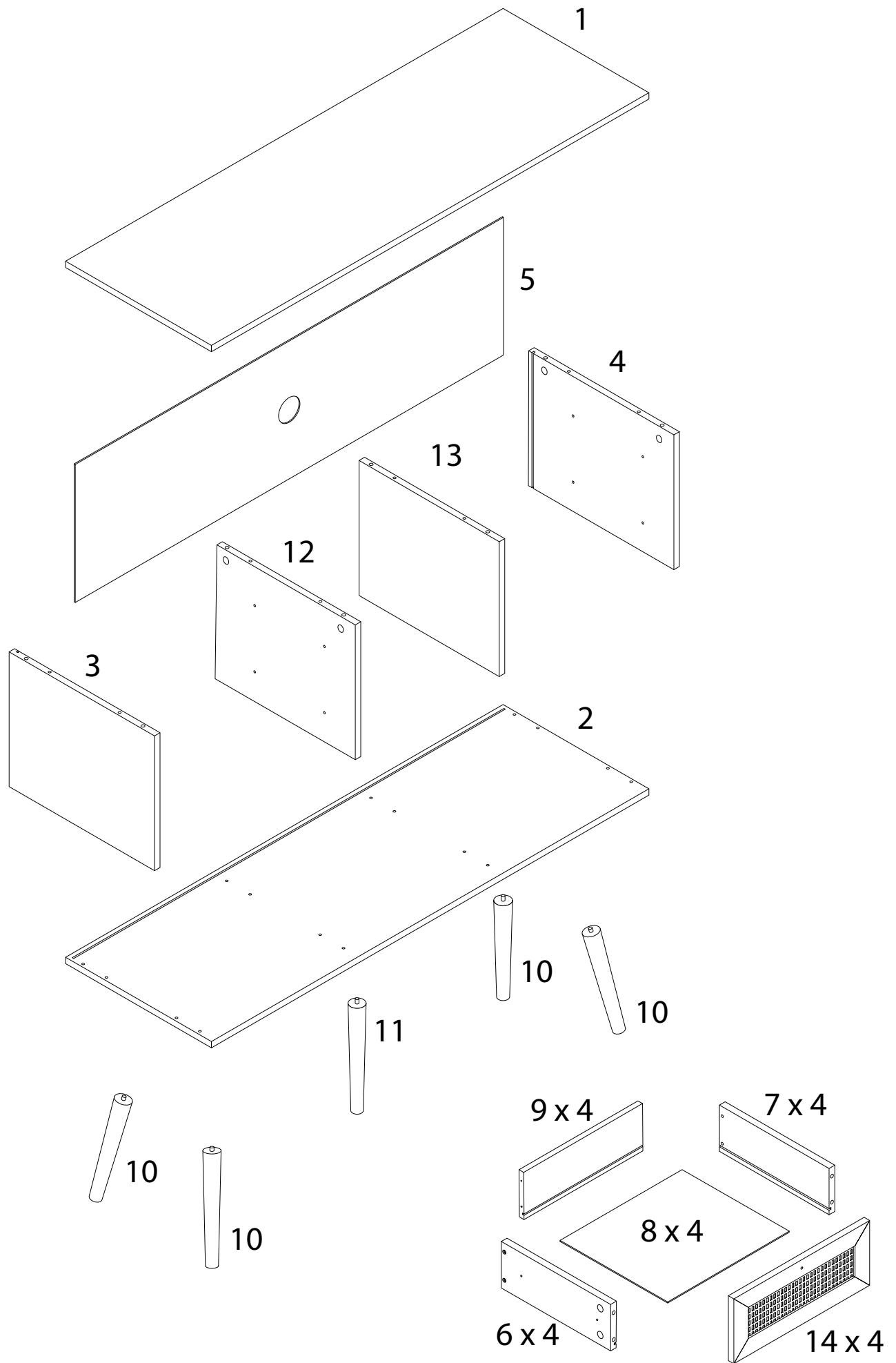




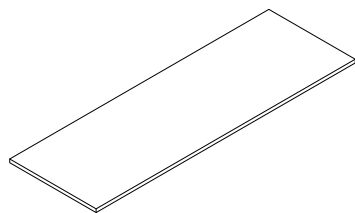
60'



2

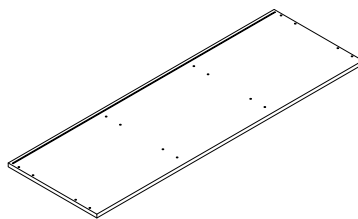


1



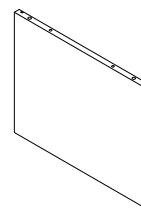
x 1

2



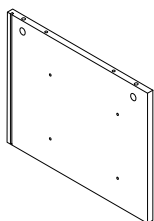
x 1

3



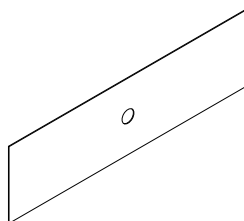
x 1

4



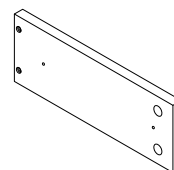
x 1

5



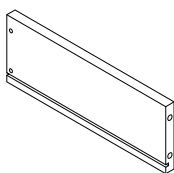
x 1

6



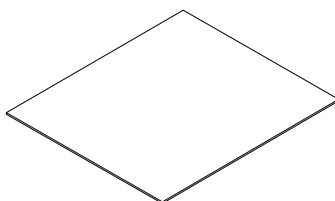
x 4

7



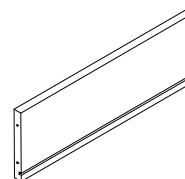
x 4

8



x 4

9



x 4

10



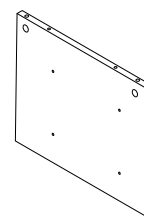
x 4

11



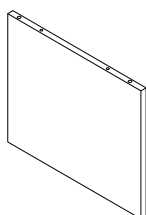
x 1

12



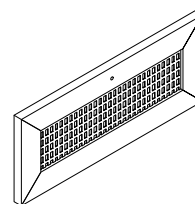
x 1

13



x 1

14



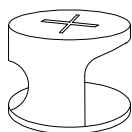
x 4

A



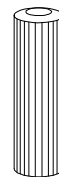
x 24

B



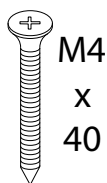
x 24

C



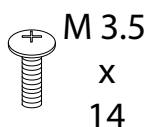
x 16

D



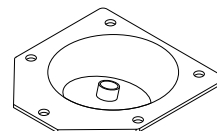
x 24

E



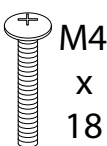
x 20

F



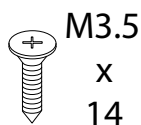
x 4

G



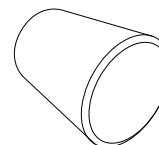
x 4

H



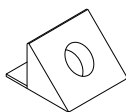
x 44

I



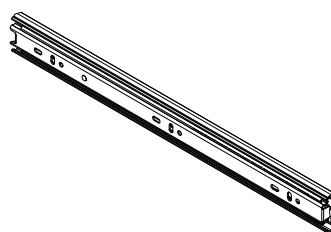
x 4

J



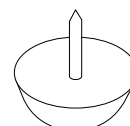
x 12

K



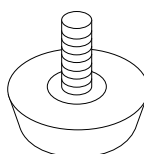
x 8

L



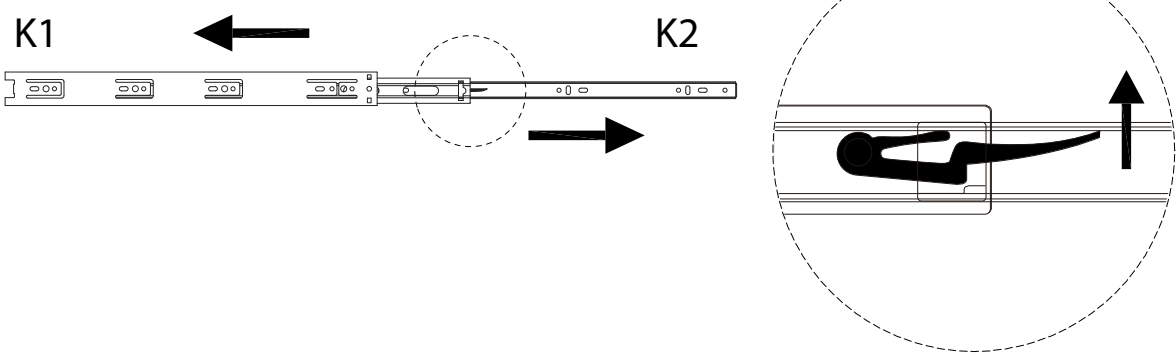
x 4

N



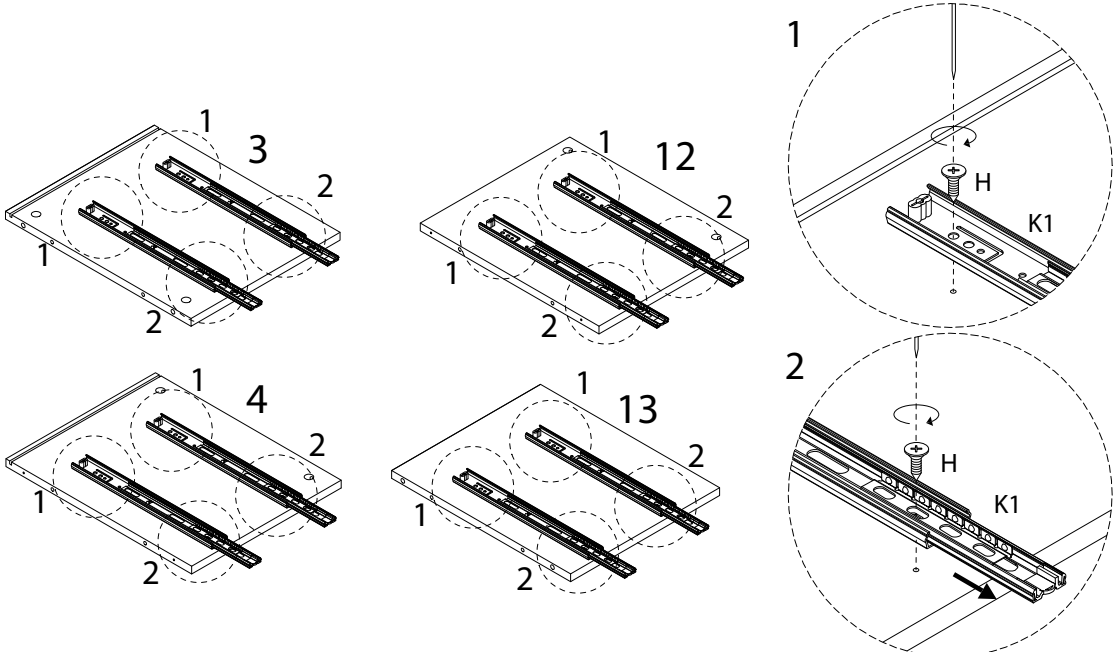
x 1

!

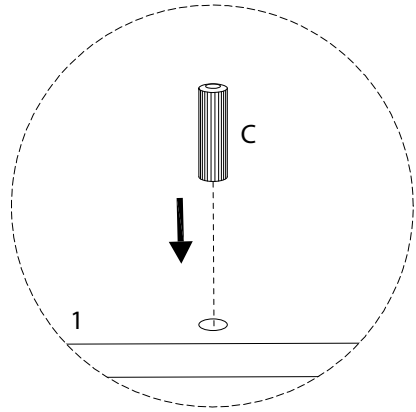
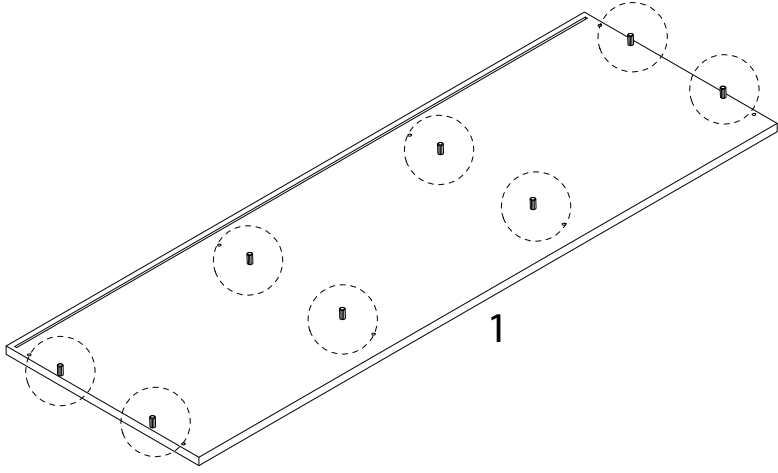
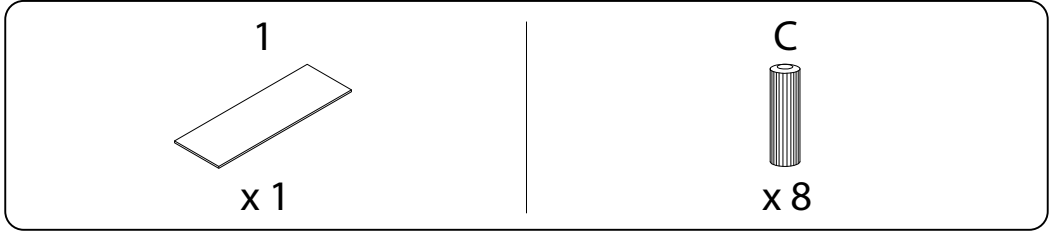


1

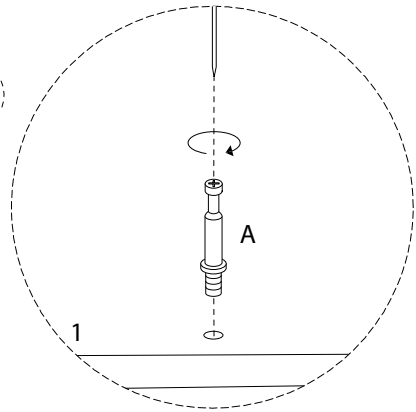
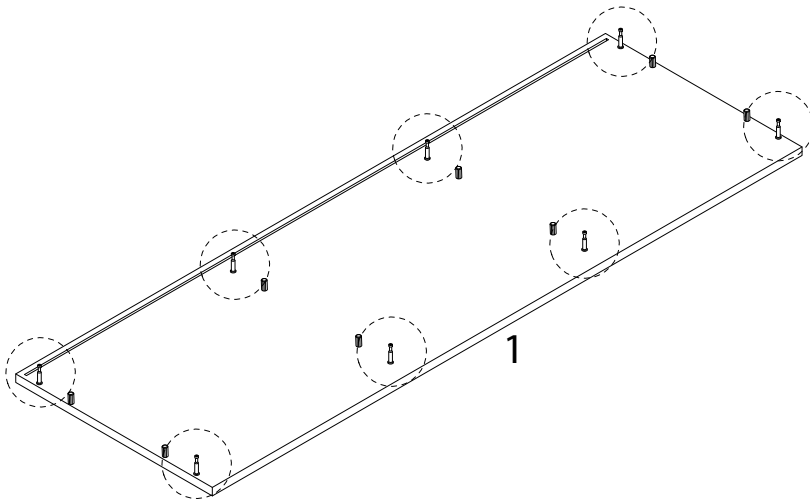
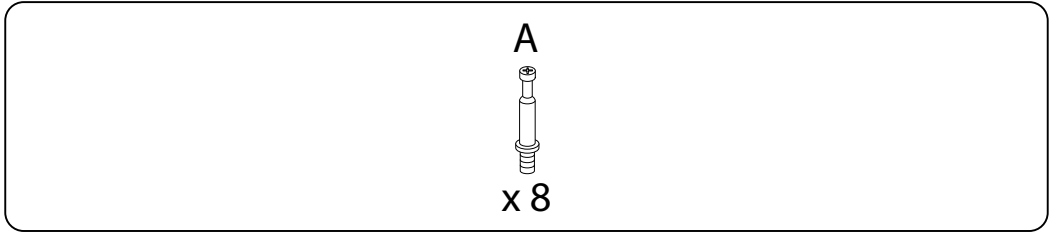
- | | | | | | |
|---------------------|---------------------|----------------------|----------------------|----------------------|----------------------|
| <p>3</p> <p>x 1</p> | <p>4</p> <p>x 1</p> | <p>12</p> <p>x 1</p> | <p>13</p> <p>x 1</p> | <p>H</p> <p>x 16</p> | <p>K1</p> <p>x 8</p> |
|---------------------|---------------------|----------------------|----------------------|----------------------|----------------------|



2

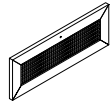


3



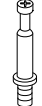
4

14

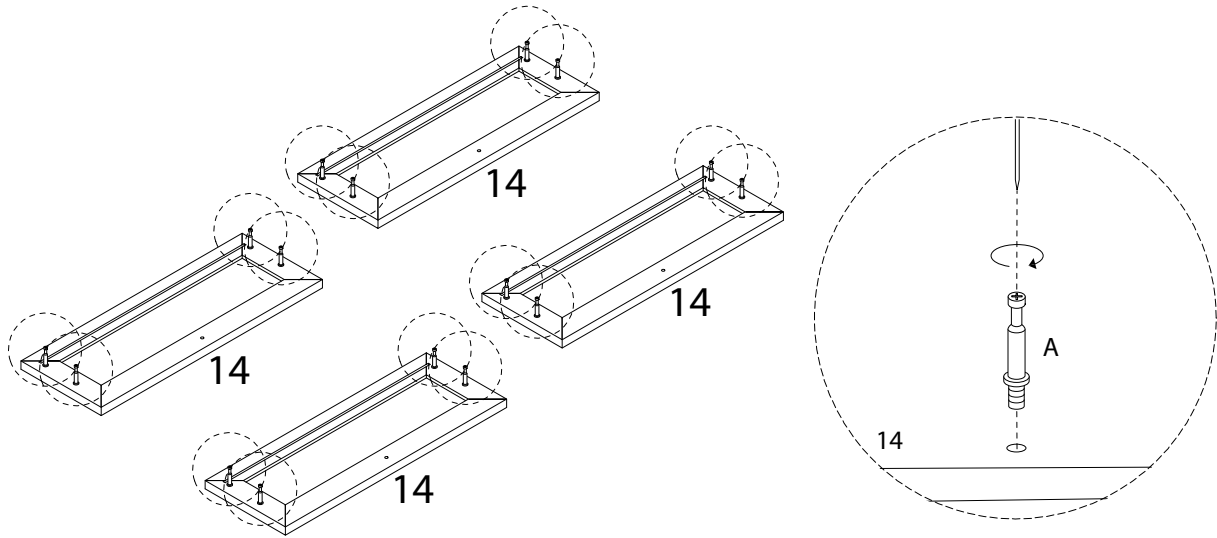


x 4

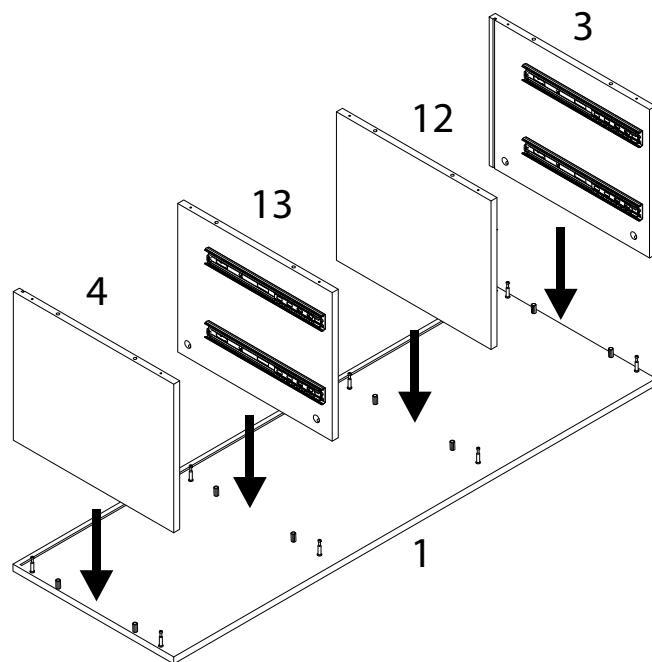
A



x 16



5

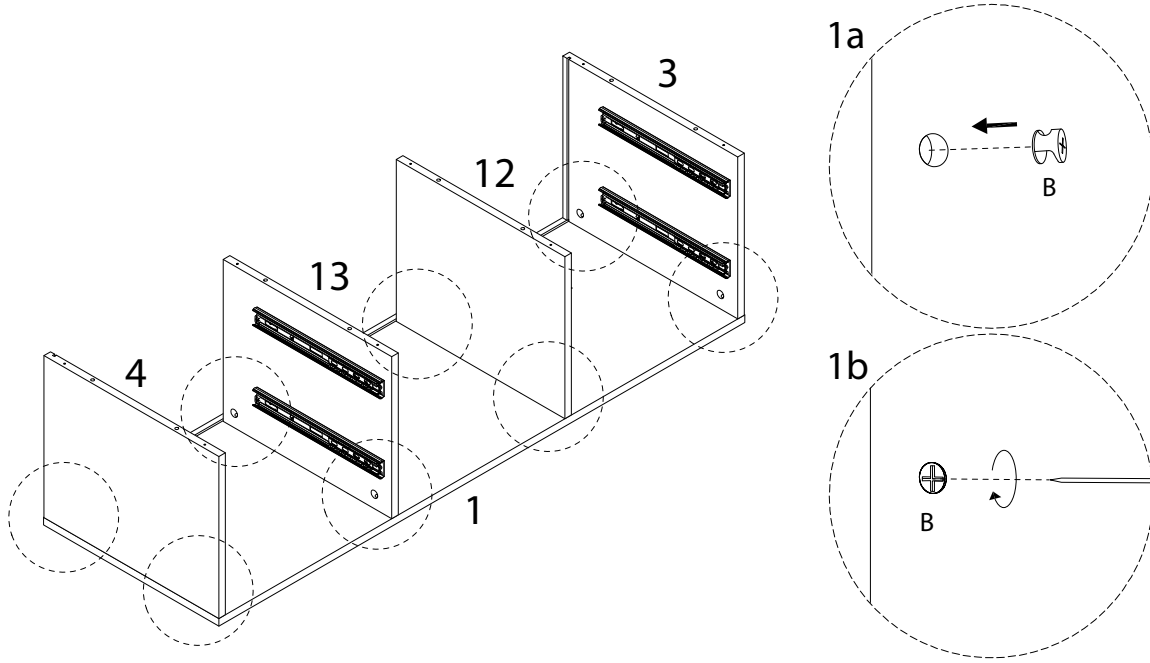


6

B

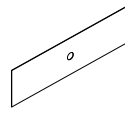


x 8

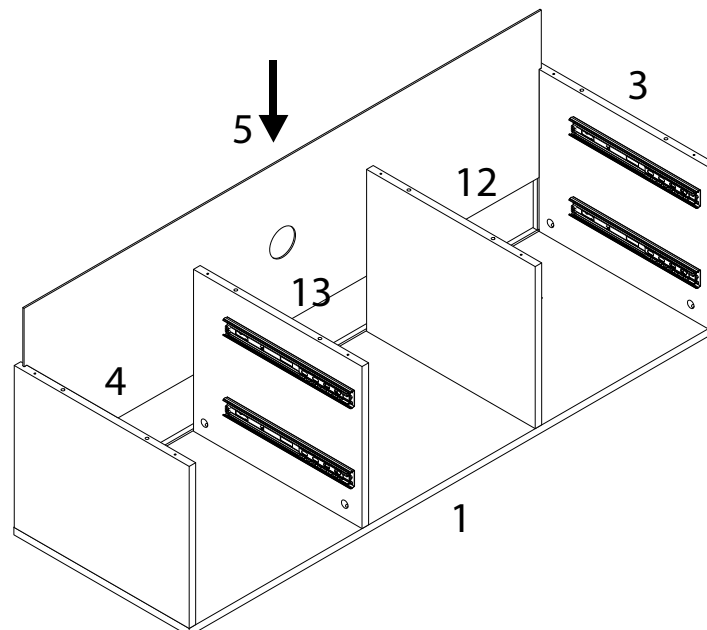


7

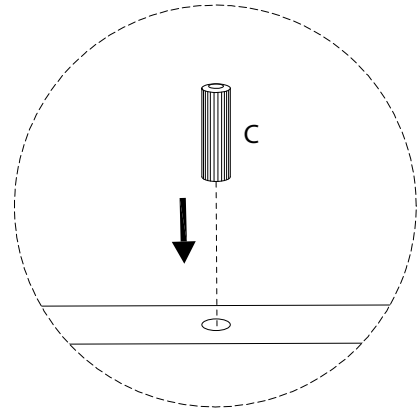
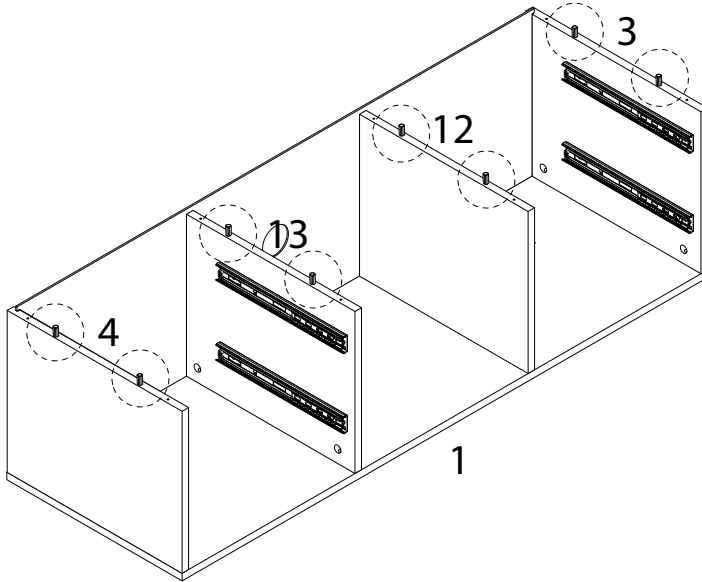
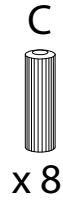
5



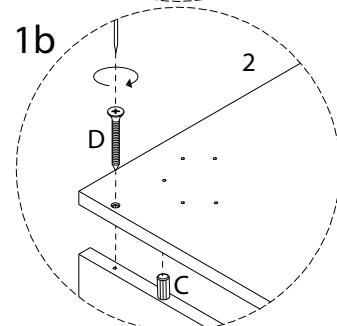
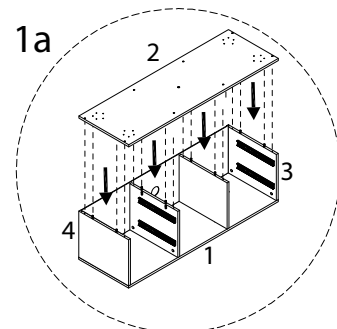
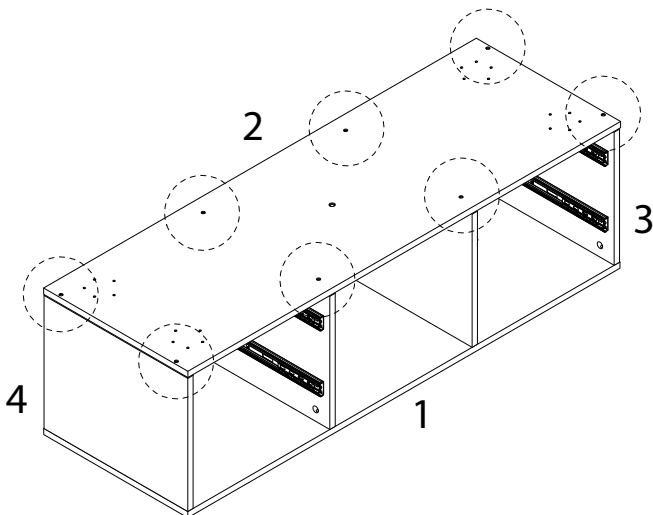
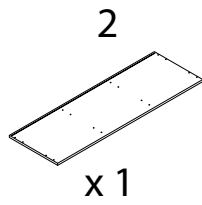
x 1



8



9



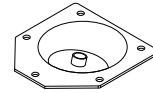
10

E

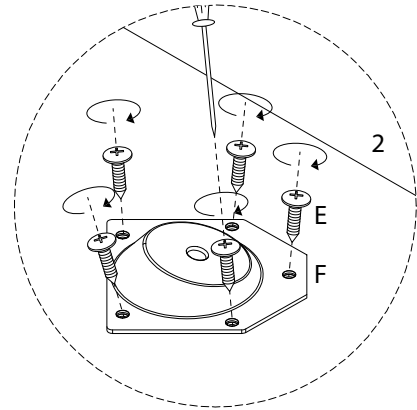
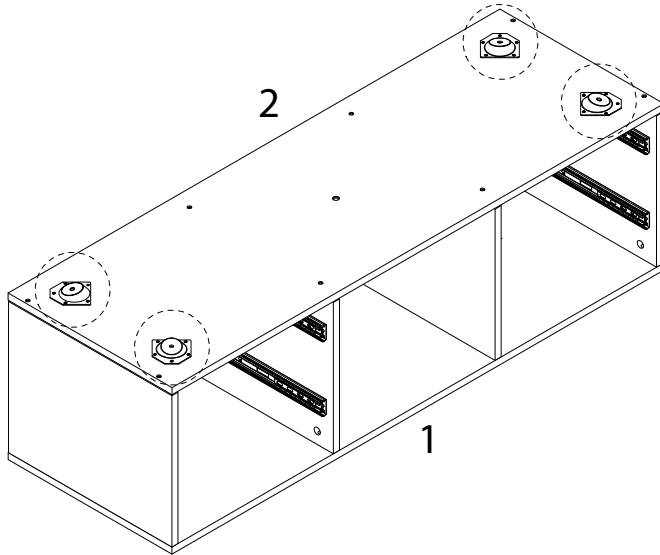
M3.5
x
14

x 20

F



x 4



11

10

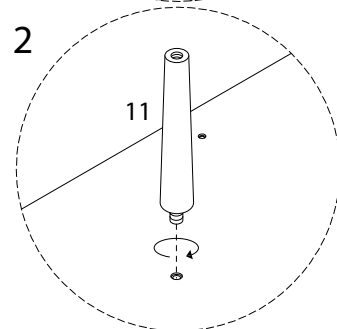
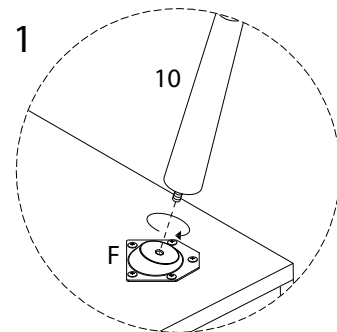
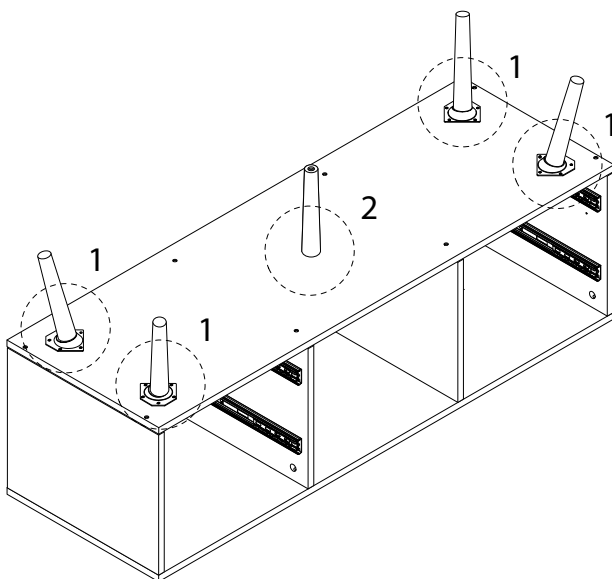


x 4

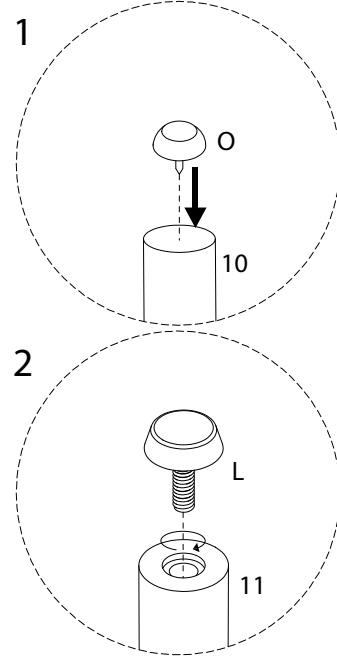
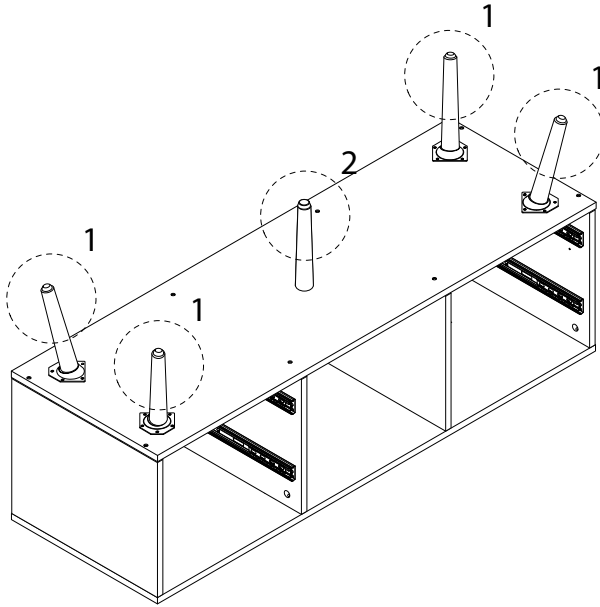
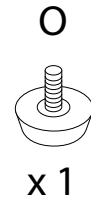
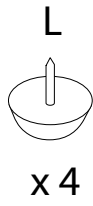
11



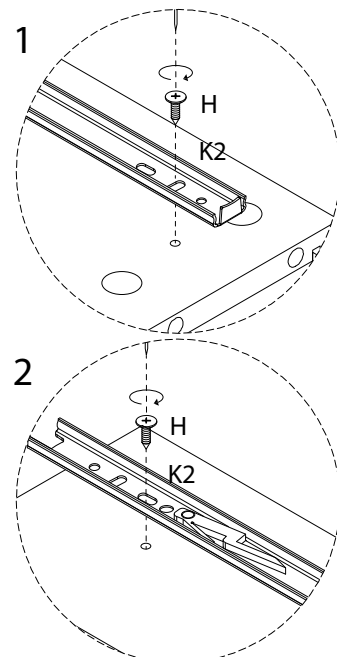
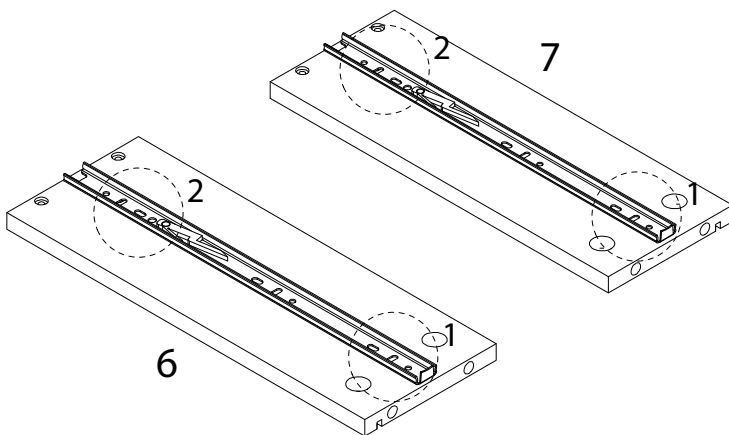
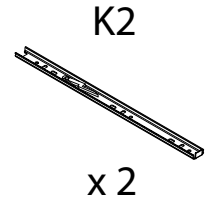
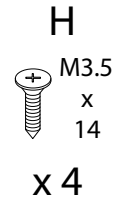
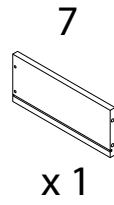
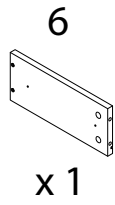
x 1



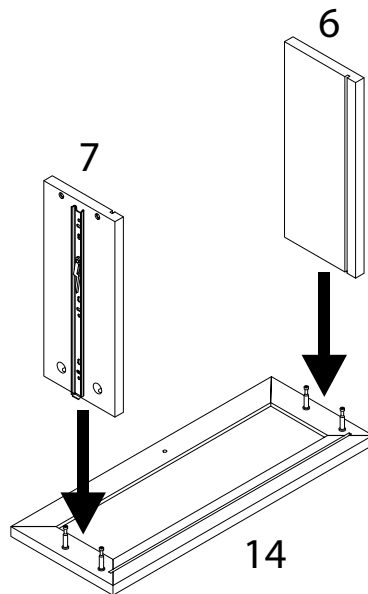
12



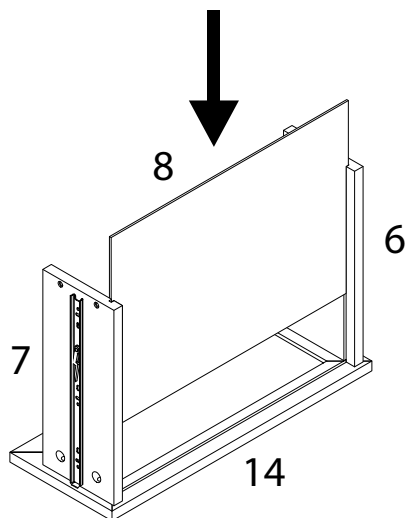
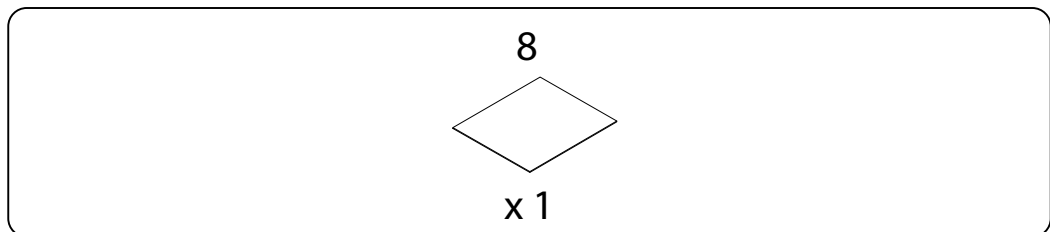
13 x 4



14 x 4



15 x 4

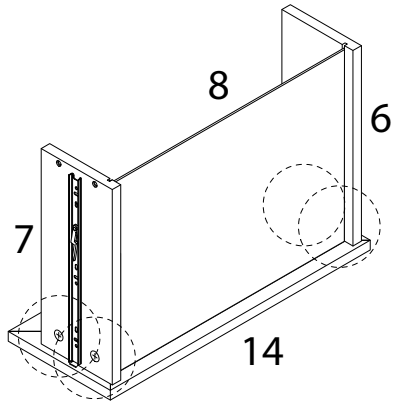


16 x 4

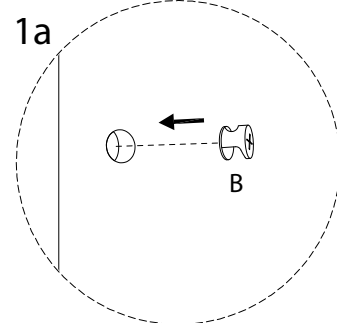
B



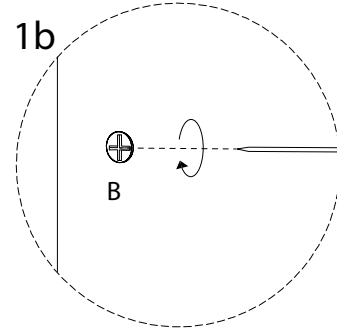
x 4



1a

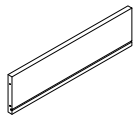


1b



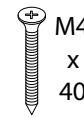
17 x 4

9

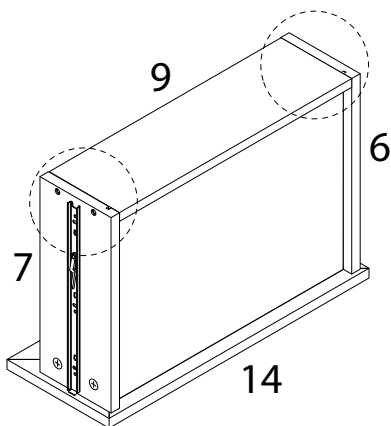


x 1

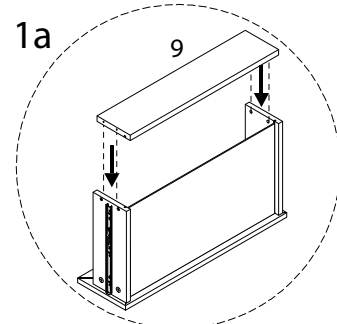
D



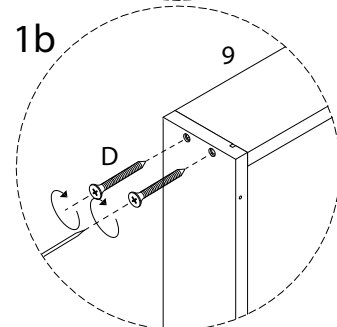
x 4



1a



1b



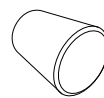
18 x 4

G

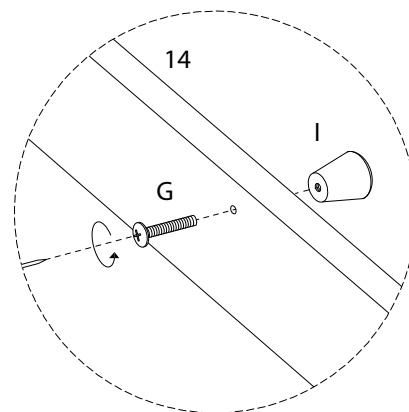
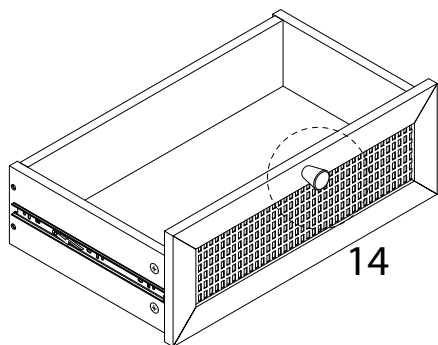


x 1

I



x 1



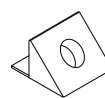
19

H

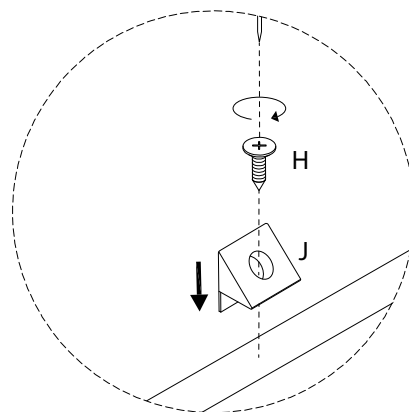
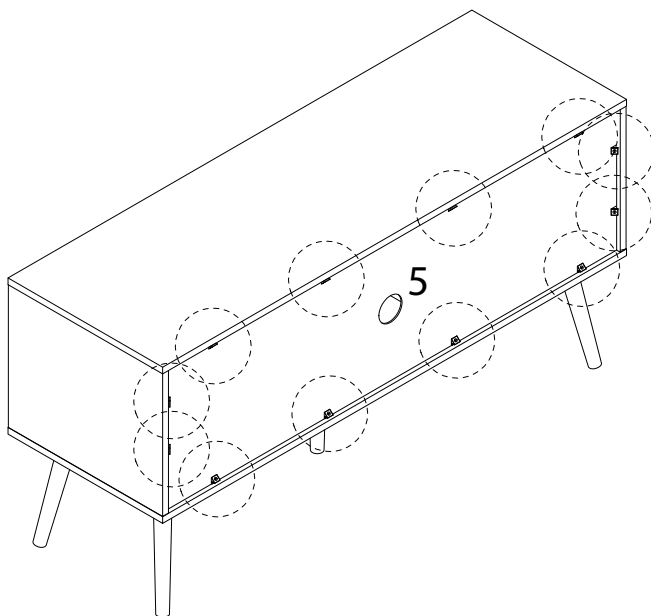


x 12

J



x 12



20

