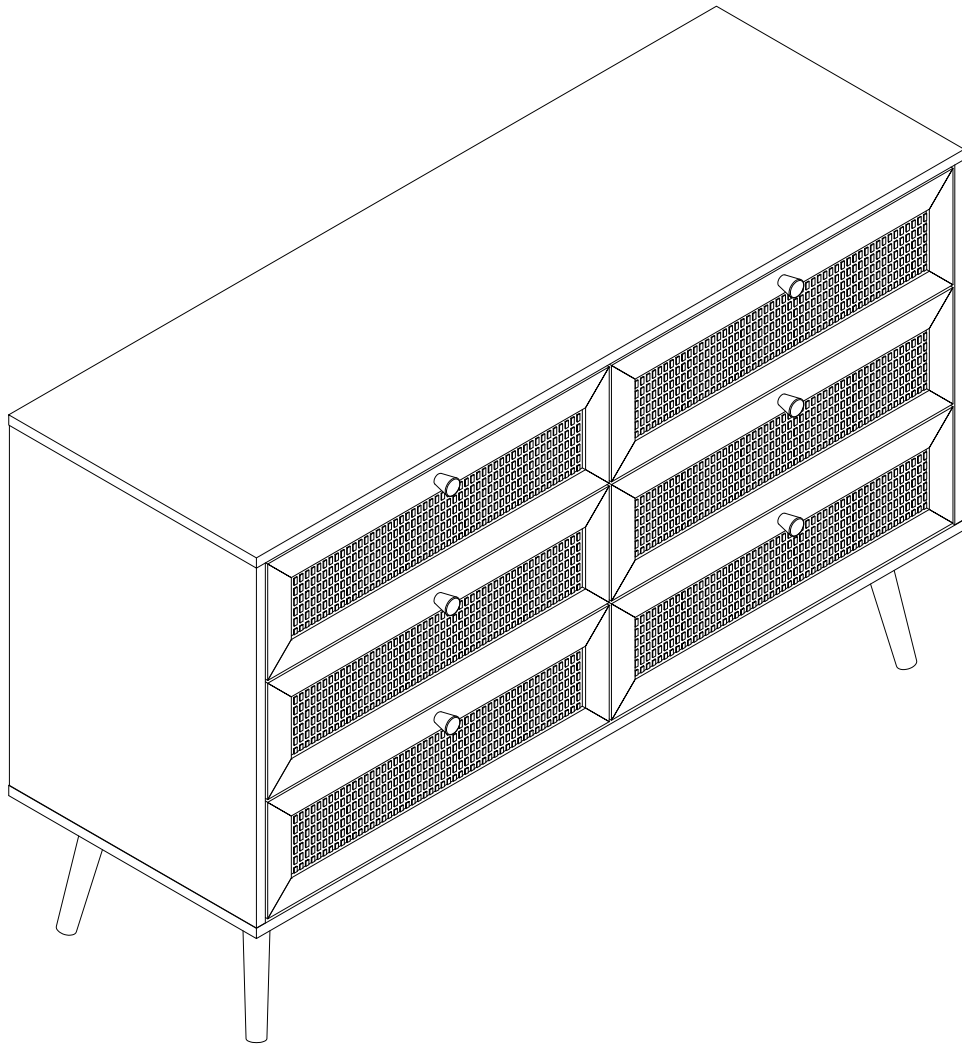
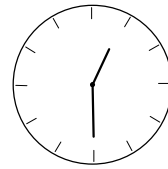
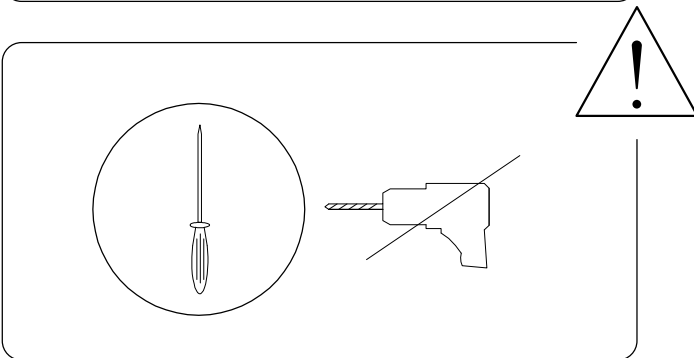
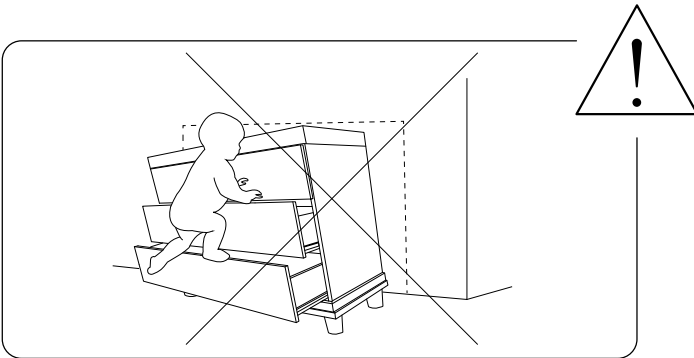
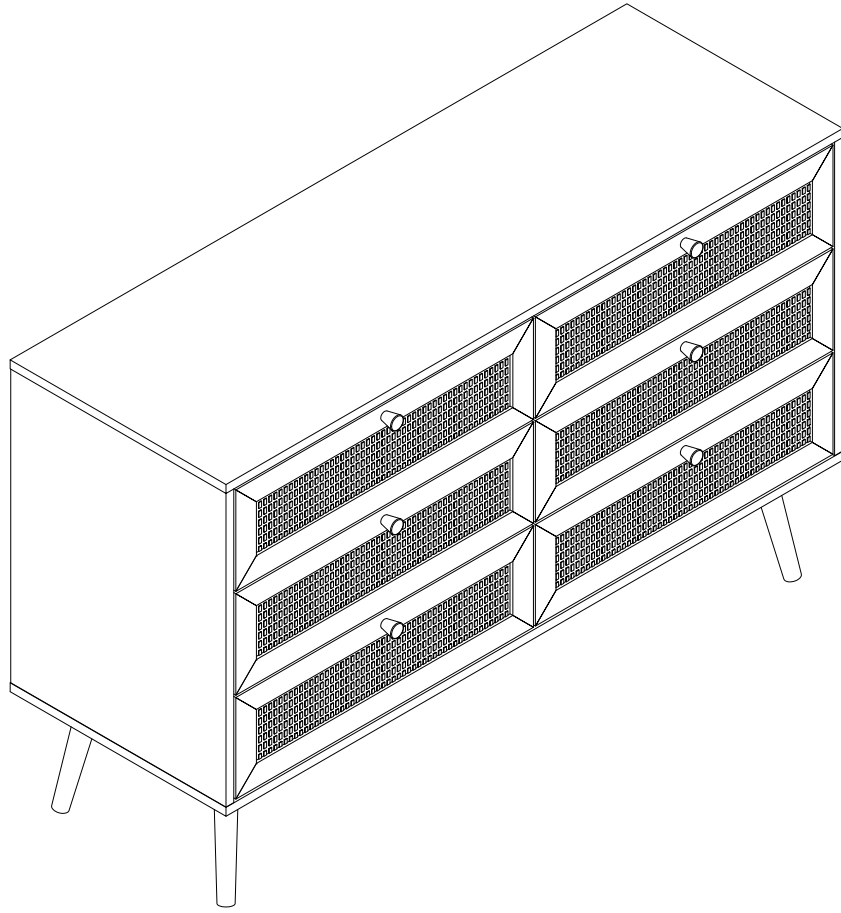
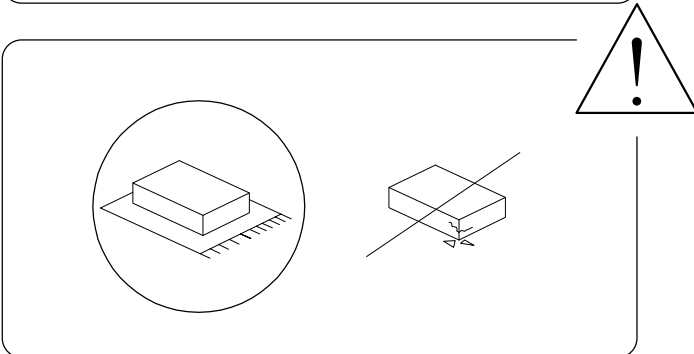


# PEROTE

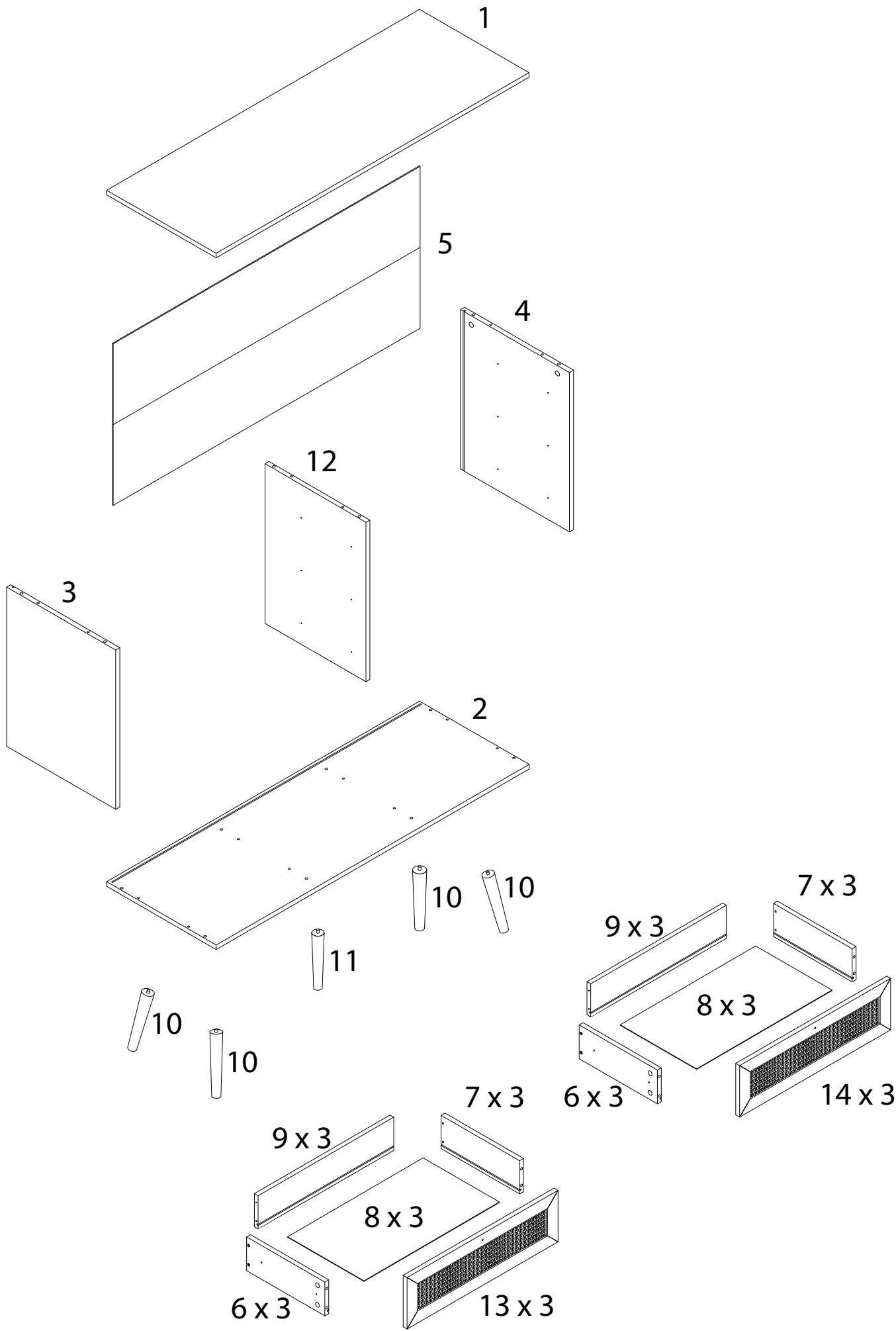


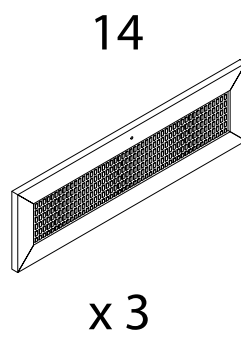
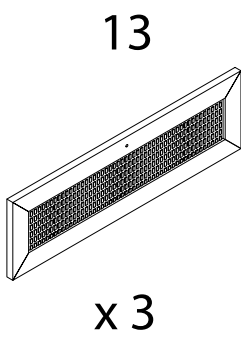
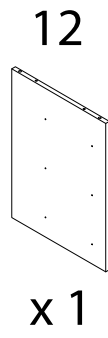
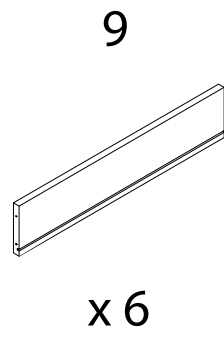
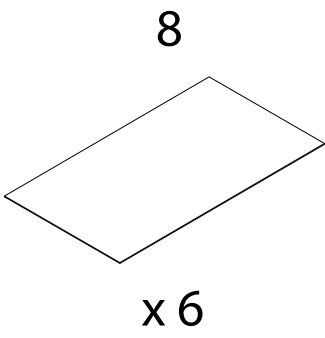
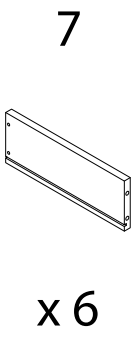
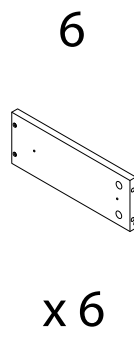
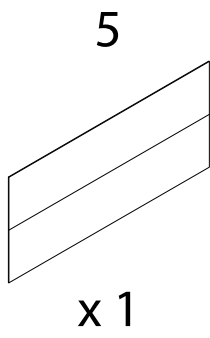
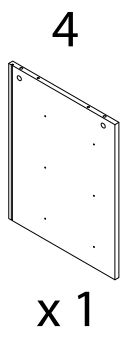
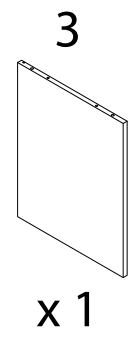
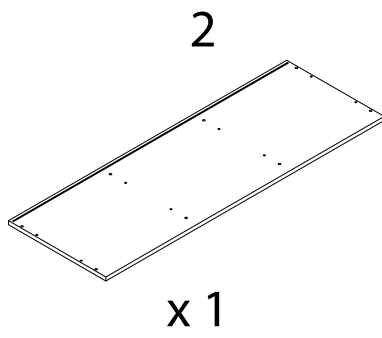
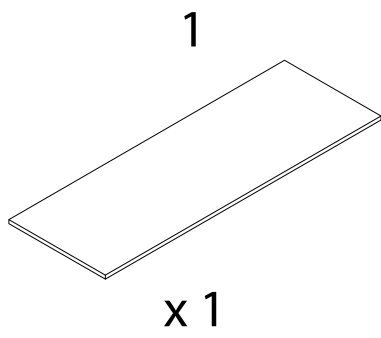


90'



2



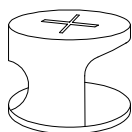


A



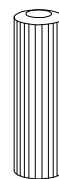
x 30

B



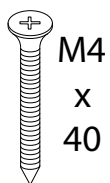
x 30

C



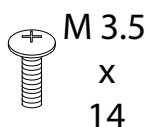
x 12

D



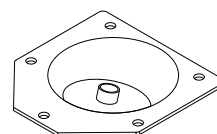
x 32

E



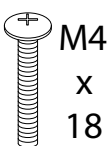
x 20

F



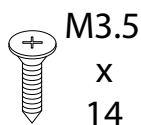
x 4

G



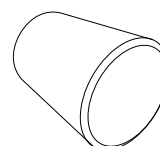
x 6

H



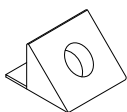
x 62

I



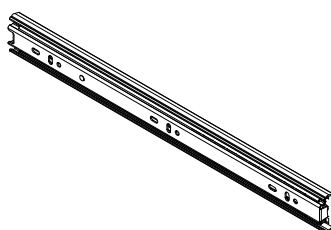
x 6

J



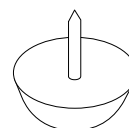
x 12

K



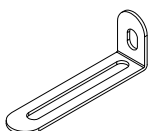
x 12

L



x 4

M



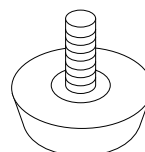
x 2

N



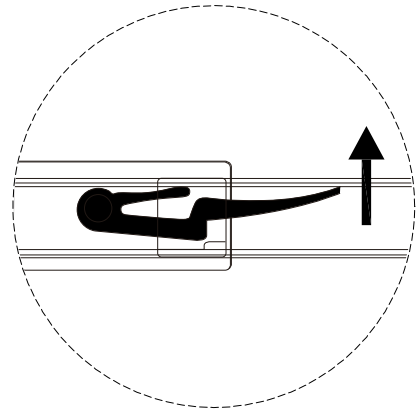
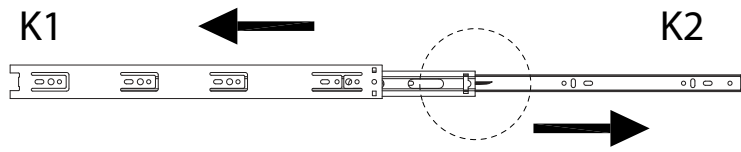
x 2

O



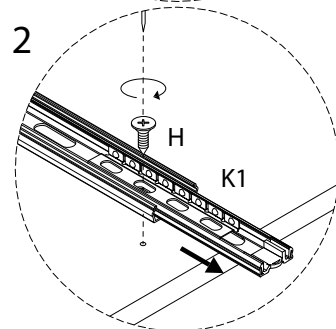
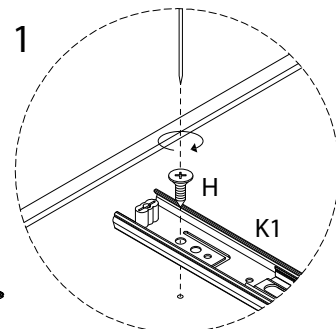
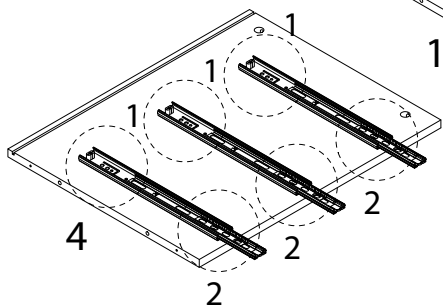
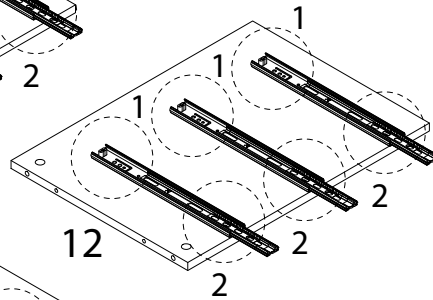
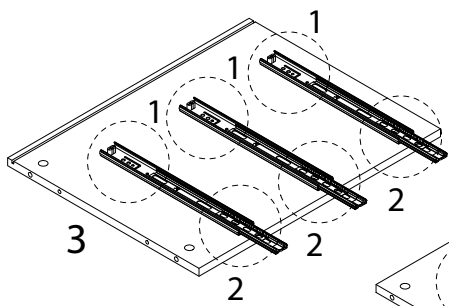
x 1

!



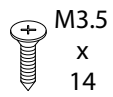
1

- |                  |                  |                   |                                     |                   |
|------------------|------------------|-------------------|-------------------------------------|-------------------|
| <p>3<br/>x 1</p> | <p>4<br/>x 1</p> | <p>12<br/>x 1</p> | <p>H<br/>M3.5<br/>x 14<br/>x 18</p> | <p>K1<br/>x 9</p> |
|------------------|------------------|-------------------|-------------------------------------|-------------------|



2

H

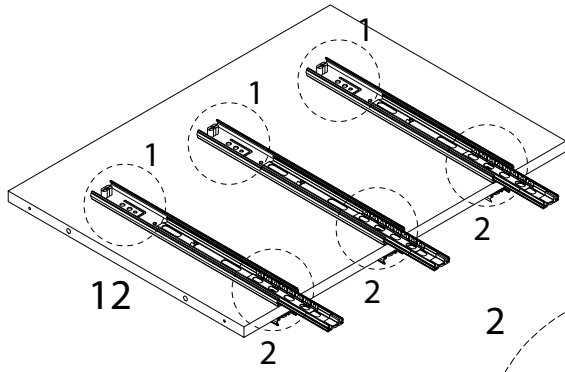


x 6

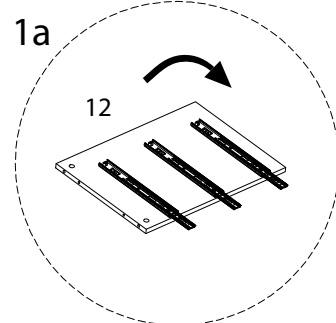
K1



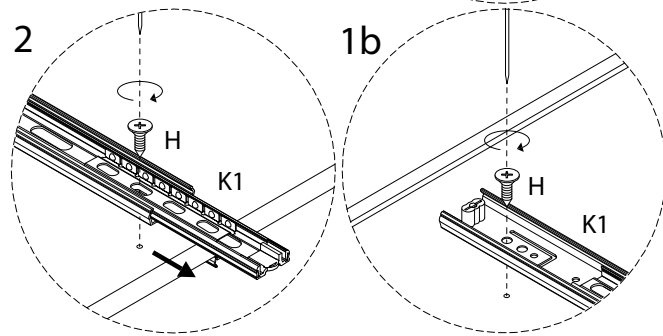
x 3



1a

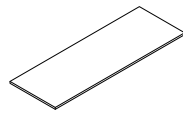


1b



3

1

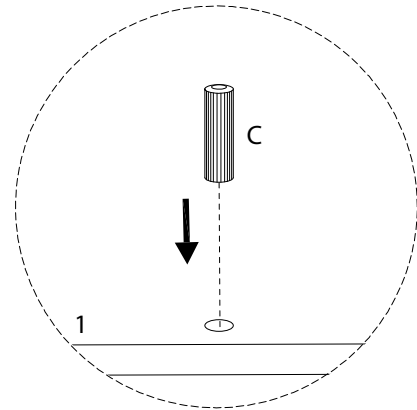
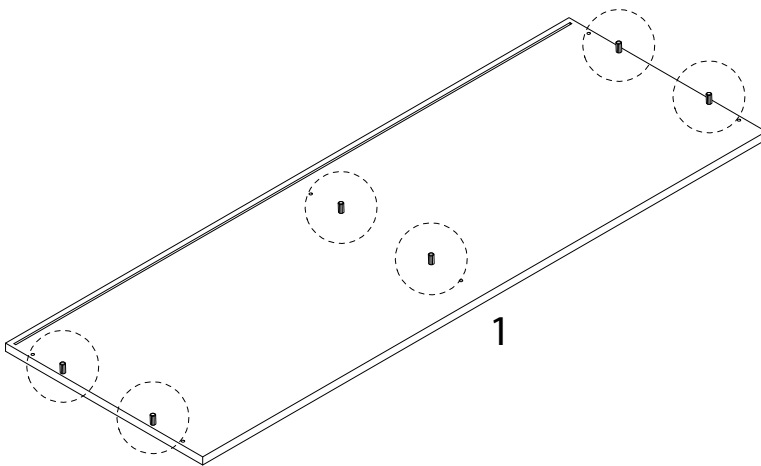


x 1

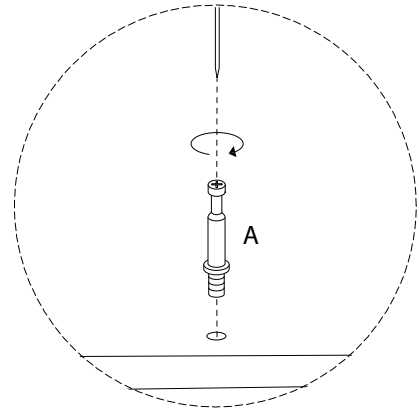
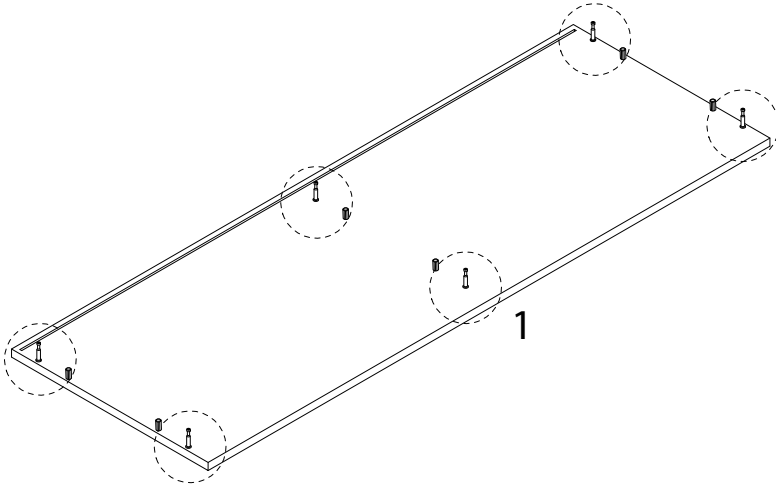
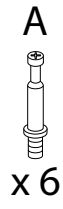
C



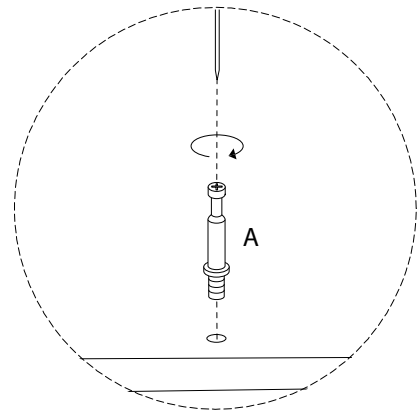
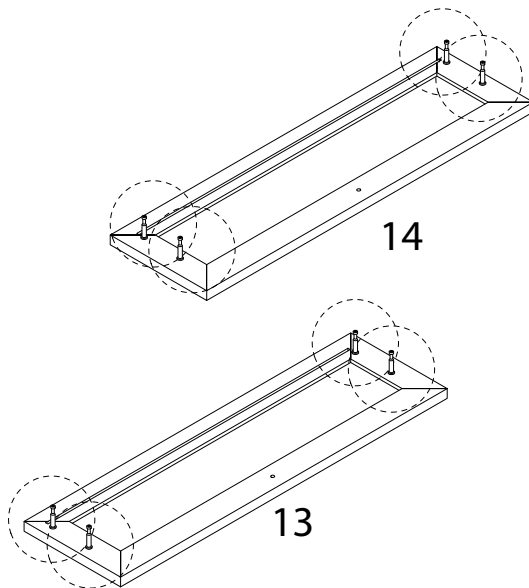
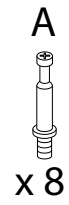
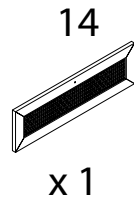
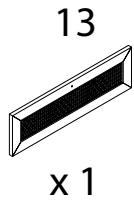
x 6



4

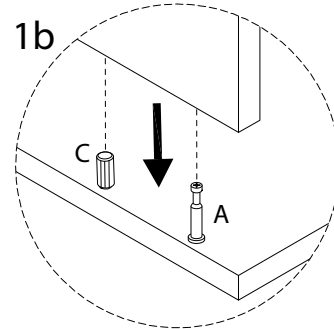
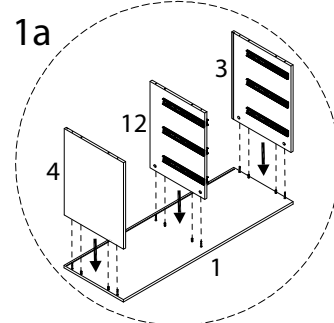
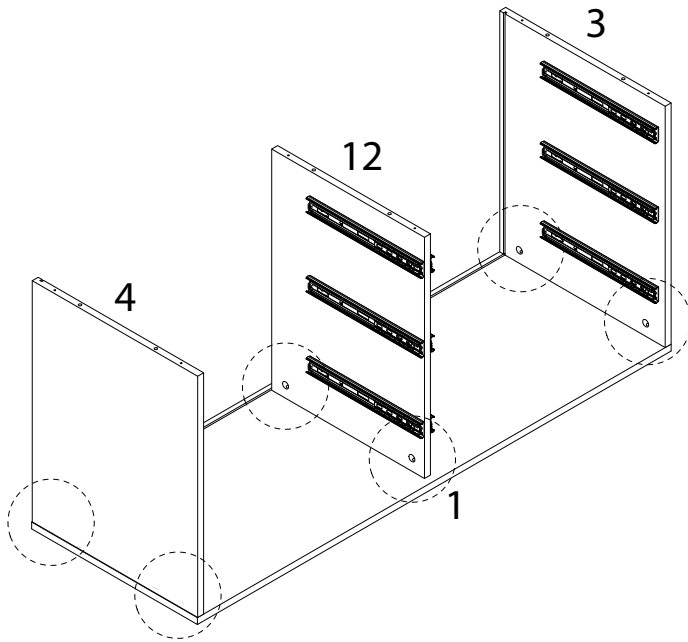


5 x 3



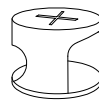


6

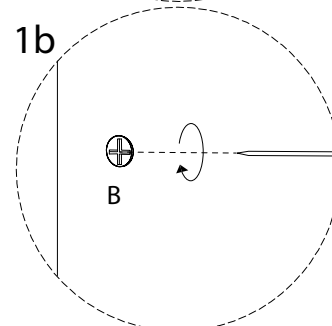
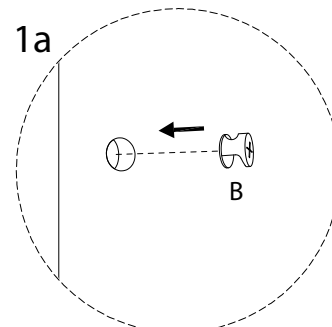
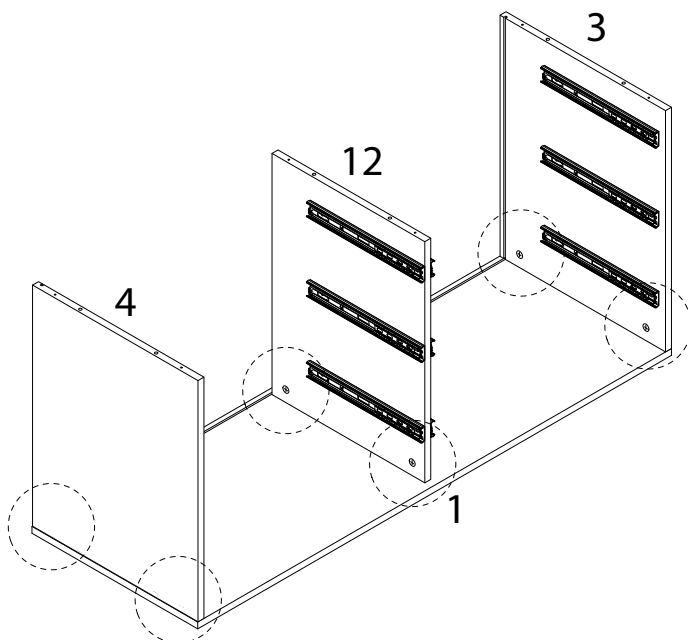


7

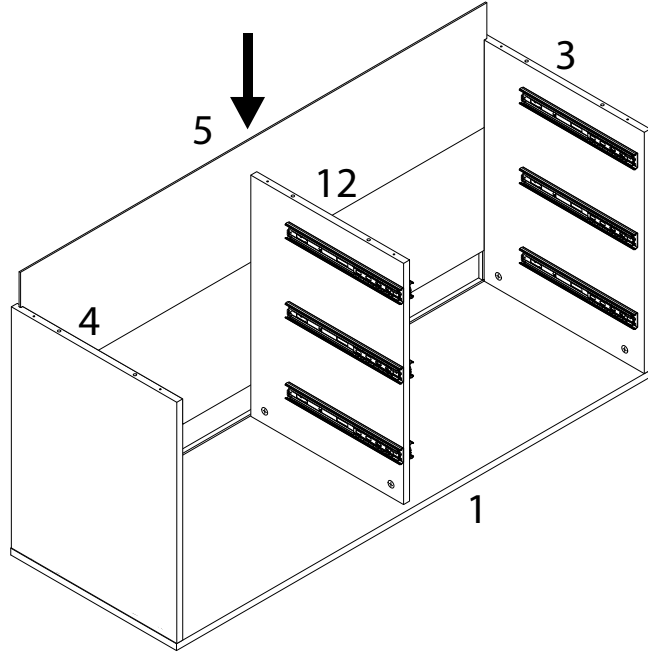
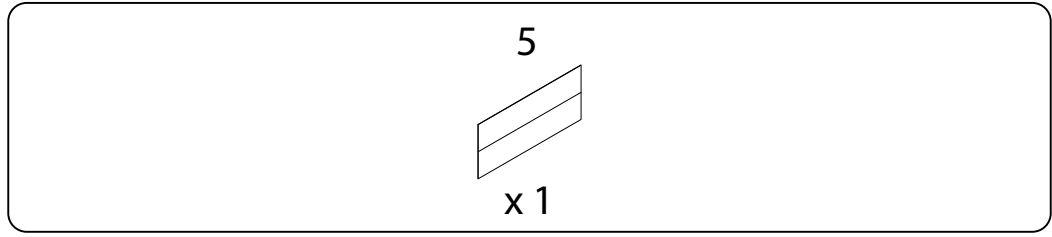
B



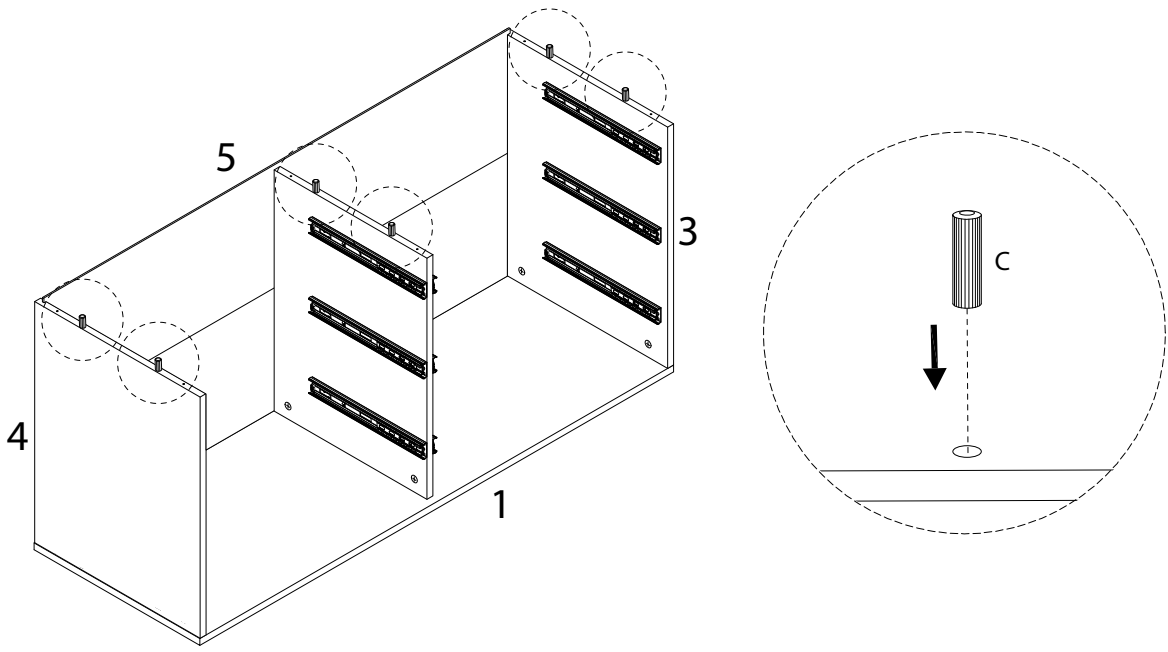
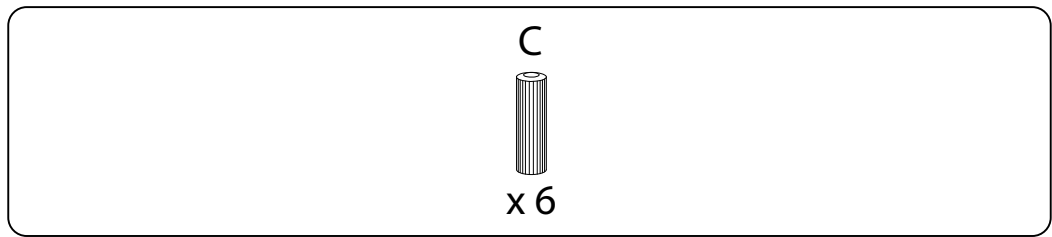
x 6



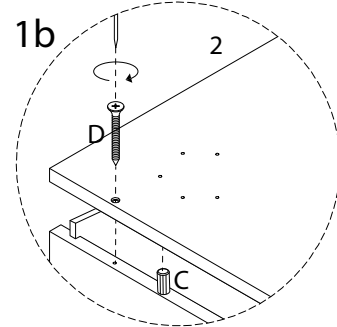
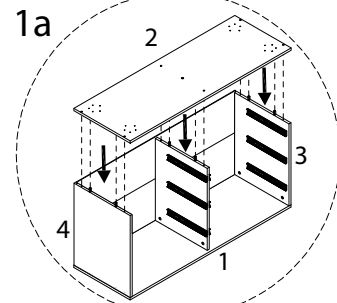
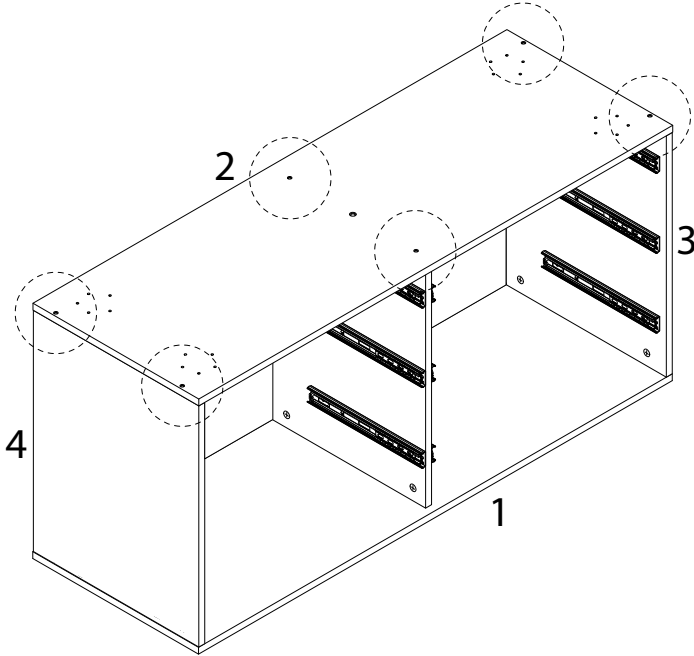
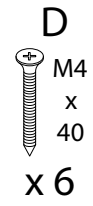
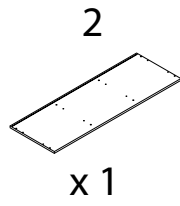
8



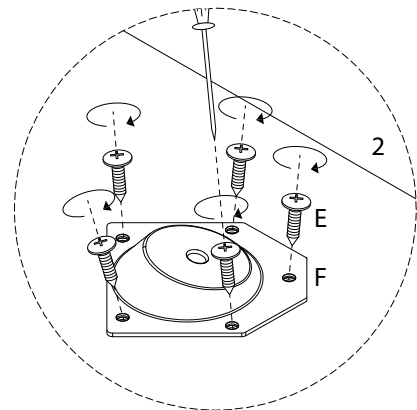
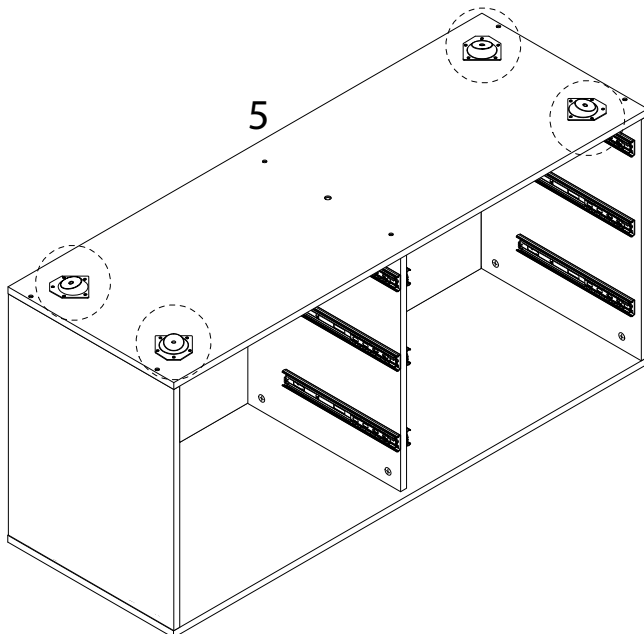
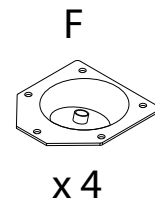
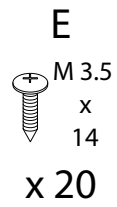
9



10



11



12

10

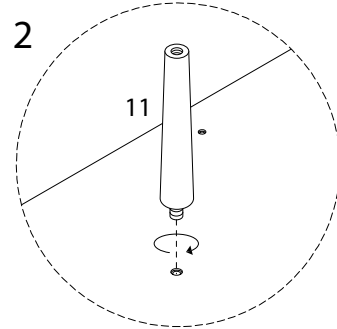
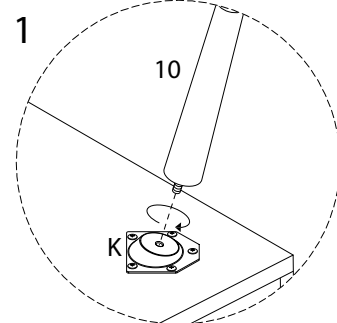
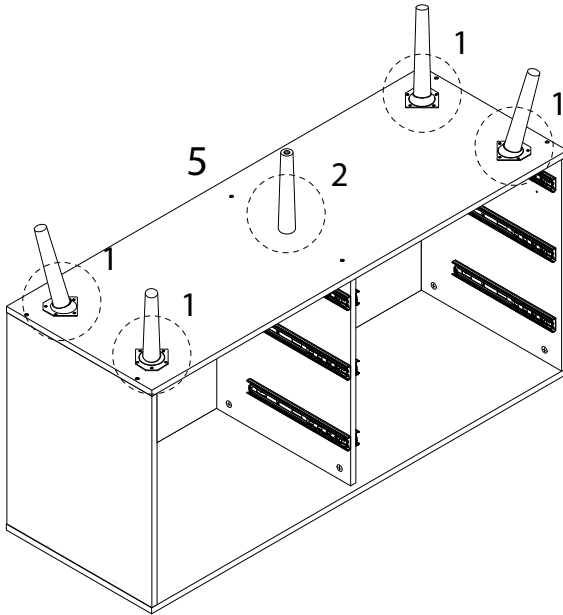


x 4

11



x 1



13

L

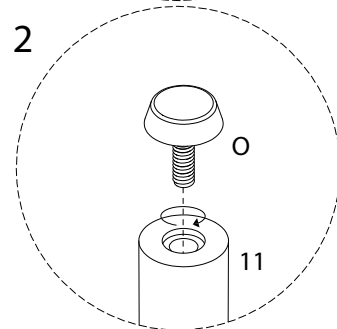
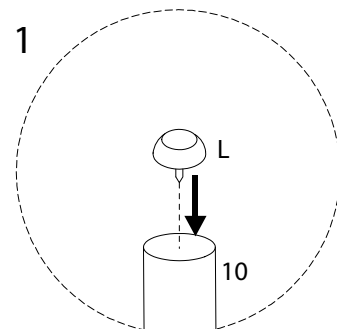
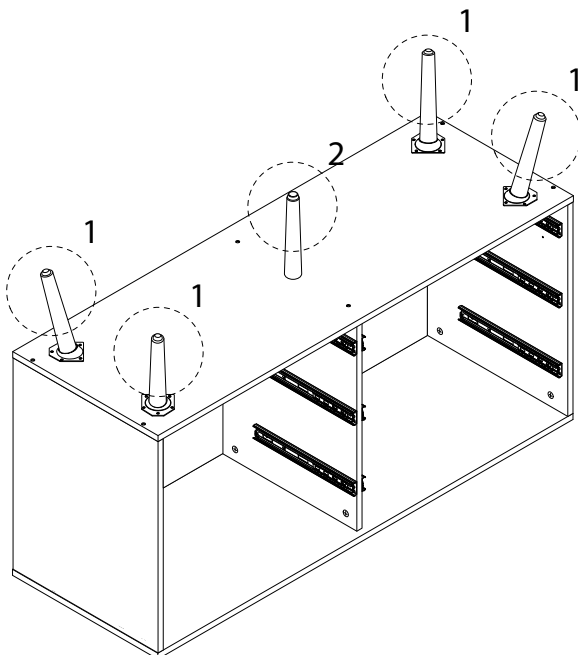


x 4

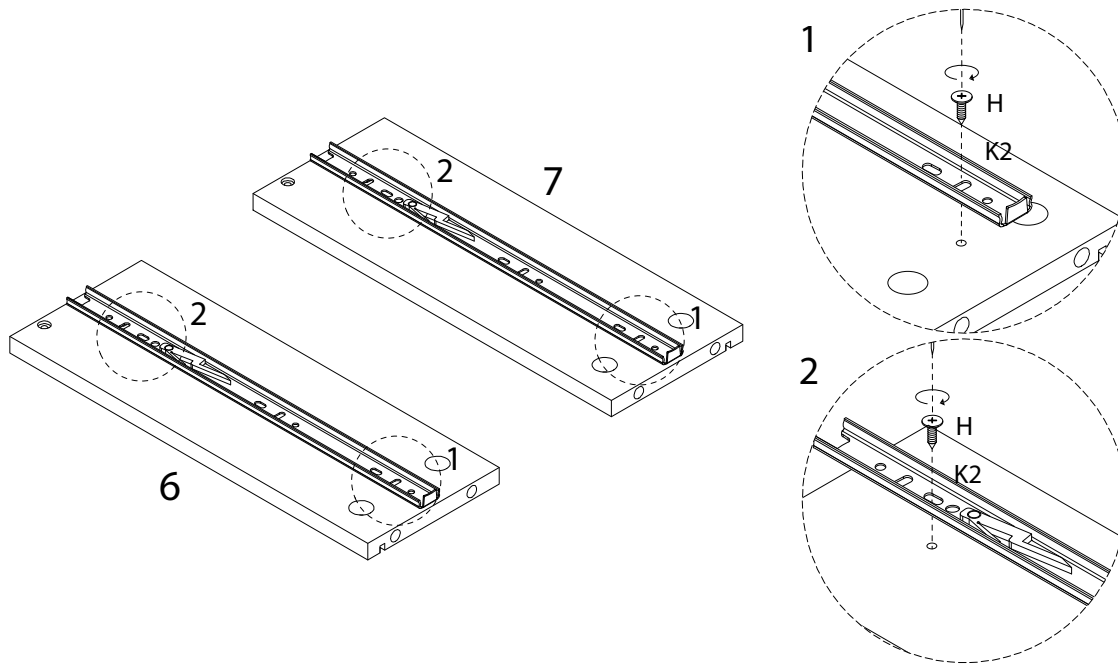
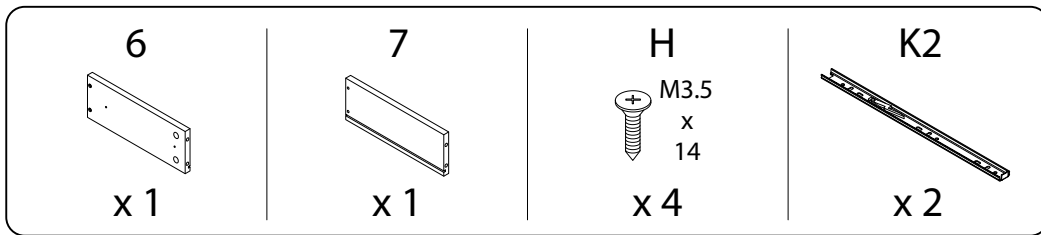
O



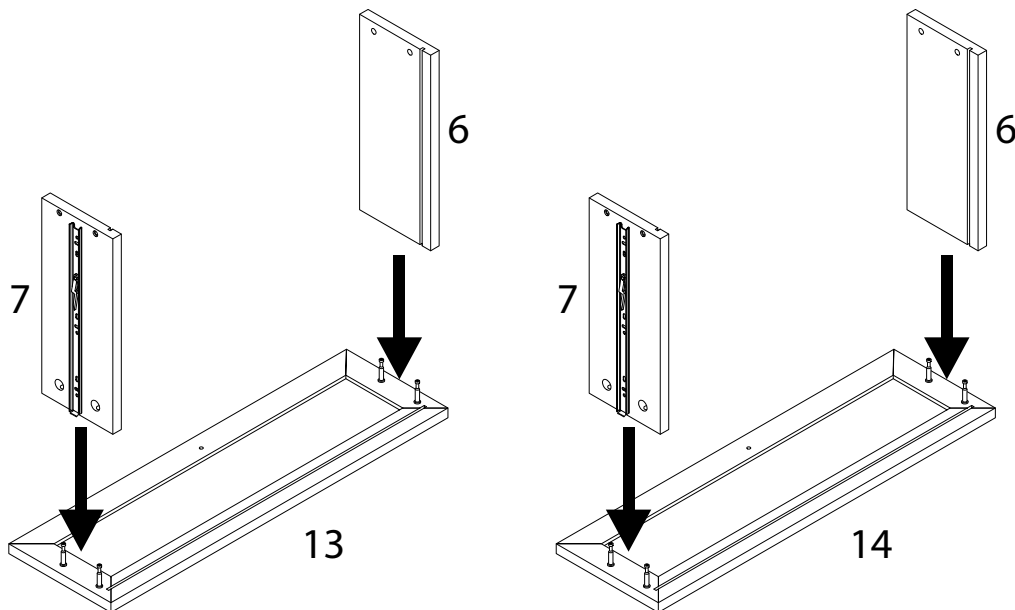
x 1



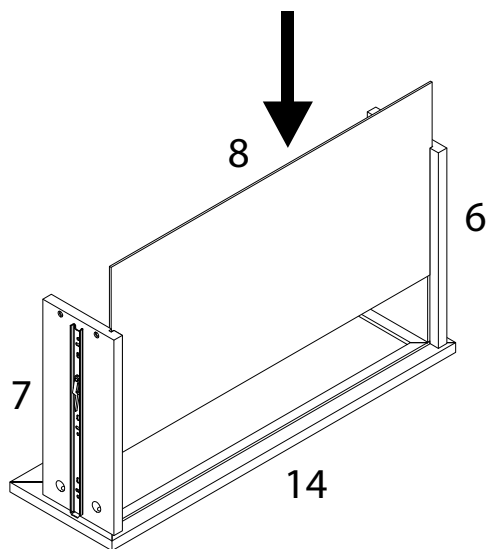
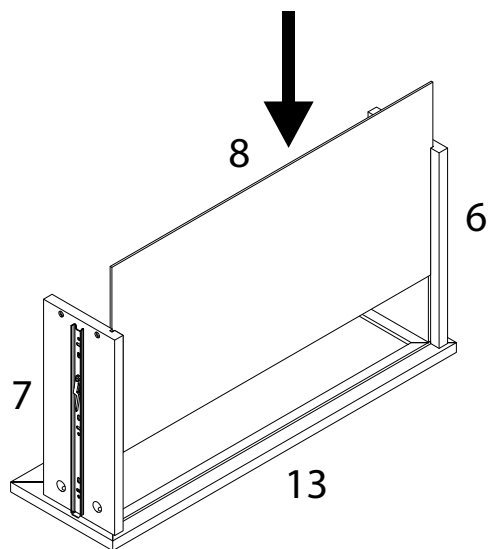
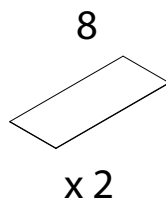
14 x 6



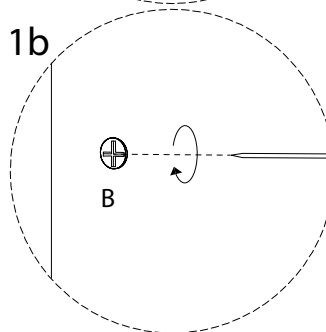
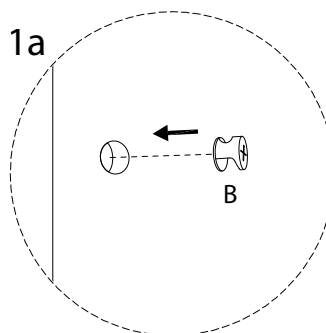
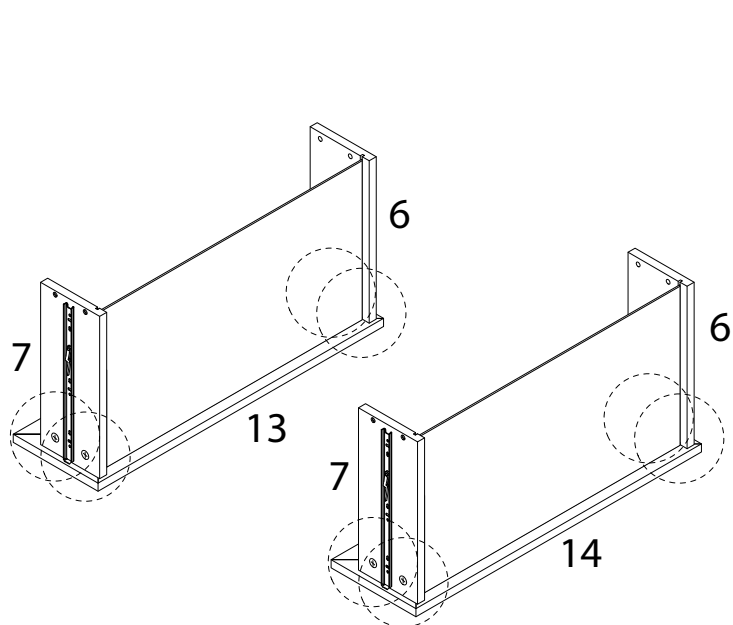
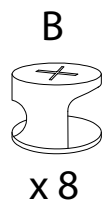
15 x 3



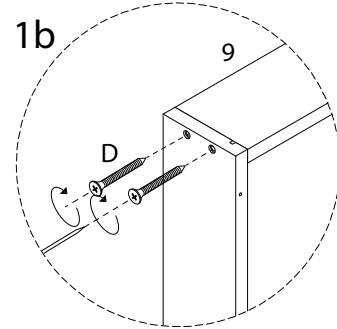
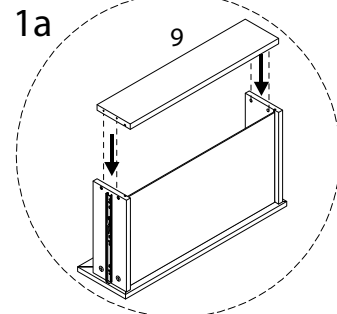
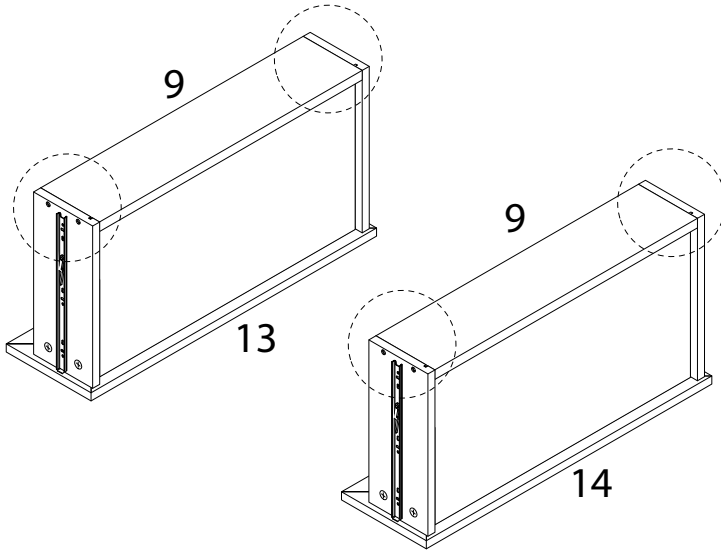
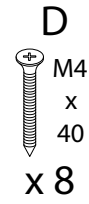
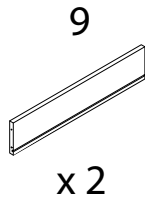
16 x 3



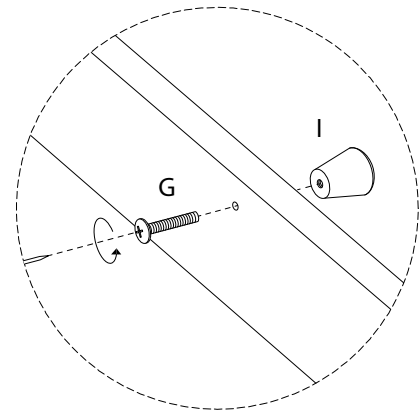
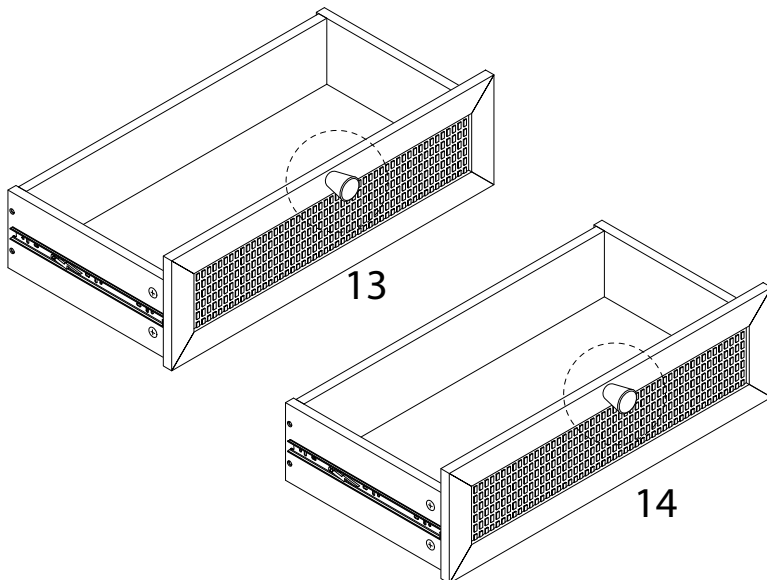
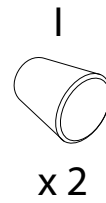
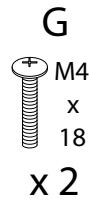
17 x 3



18 x 3



19 x 3



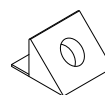
20

H

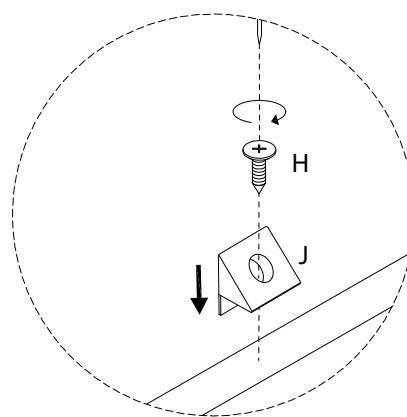
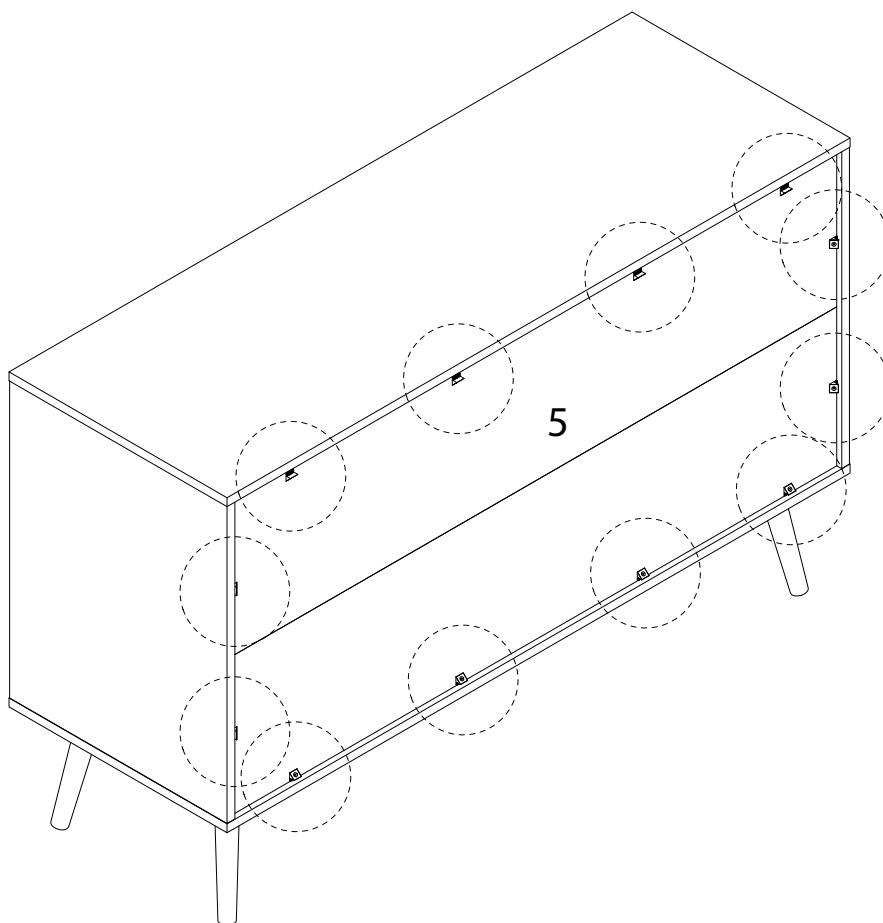


x 12

J

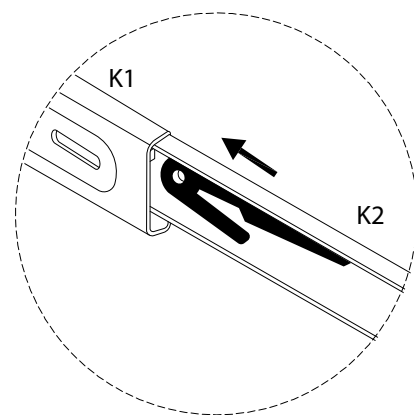
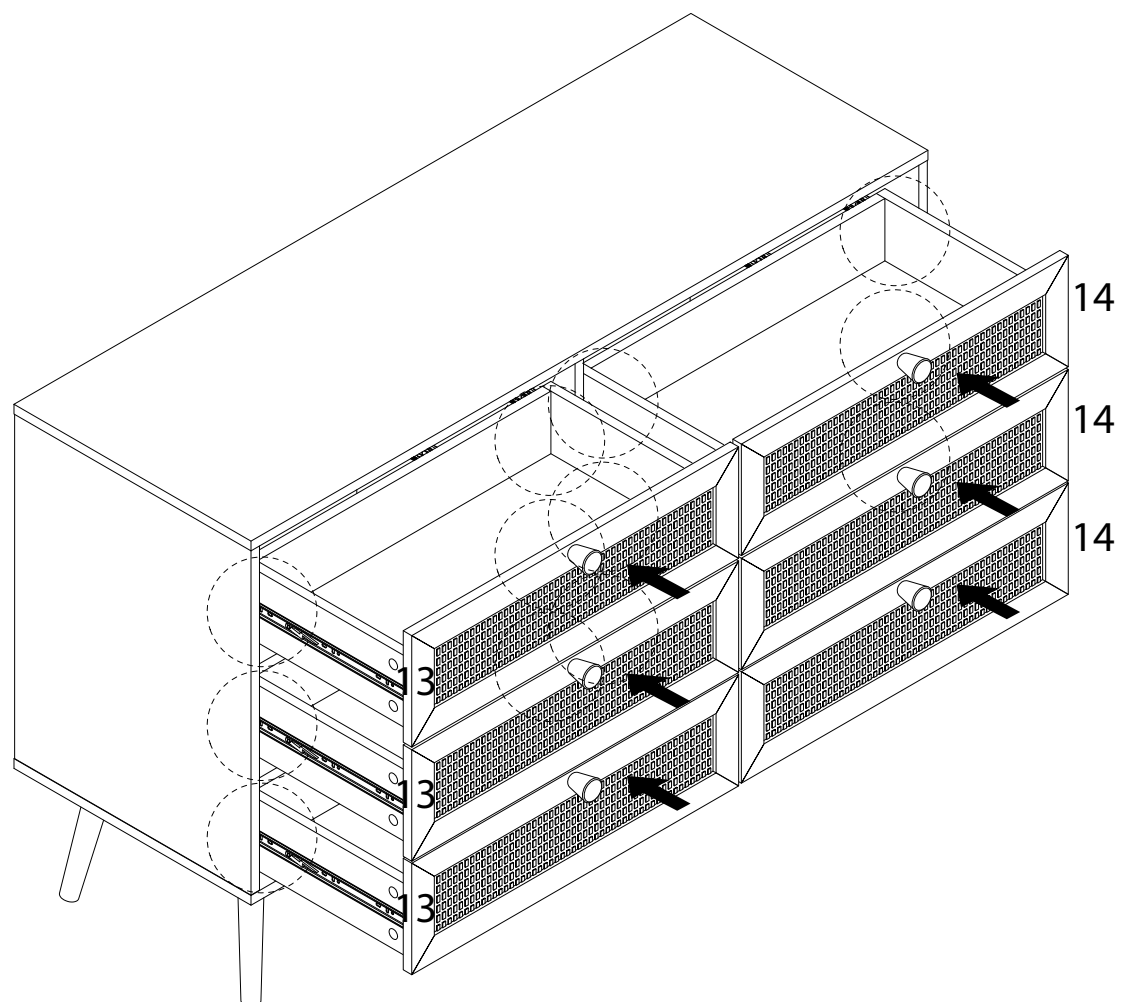


x 12





21



22

D  
M4  
x  
40  
x 2

H  
M3.5  
x  
14  
x 2

M  
x 2

N  
x 2

