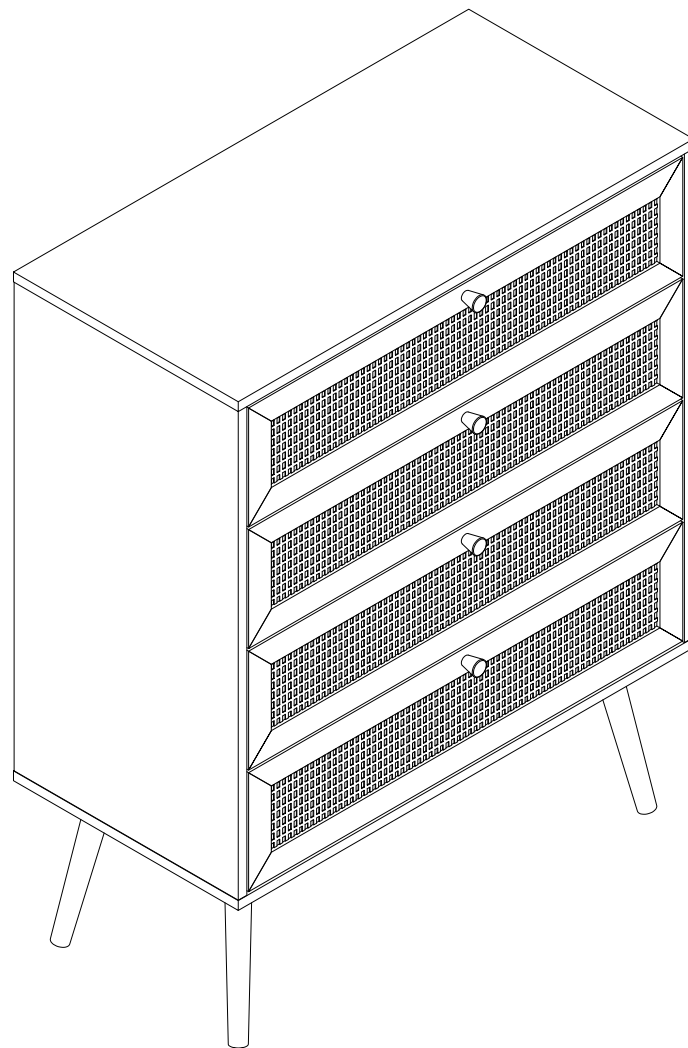
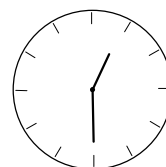
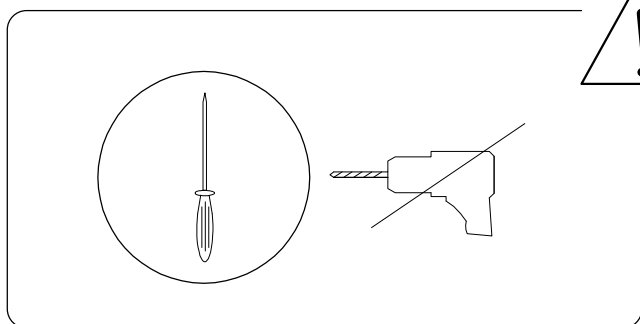
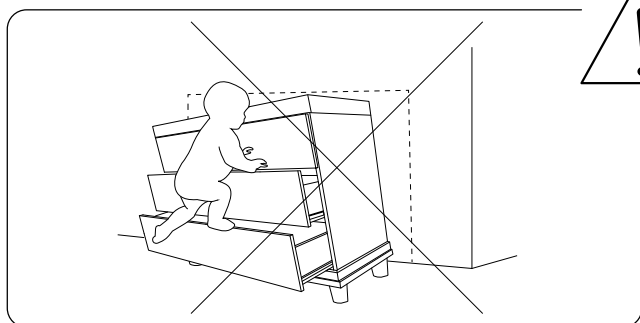
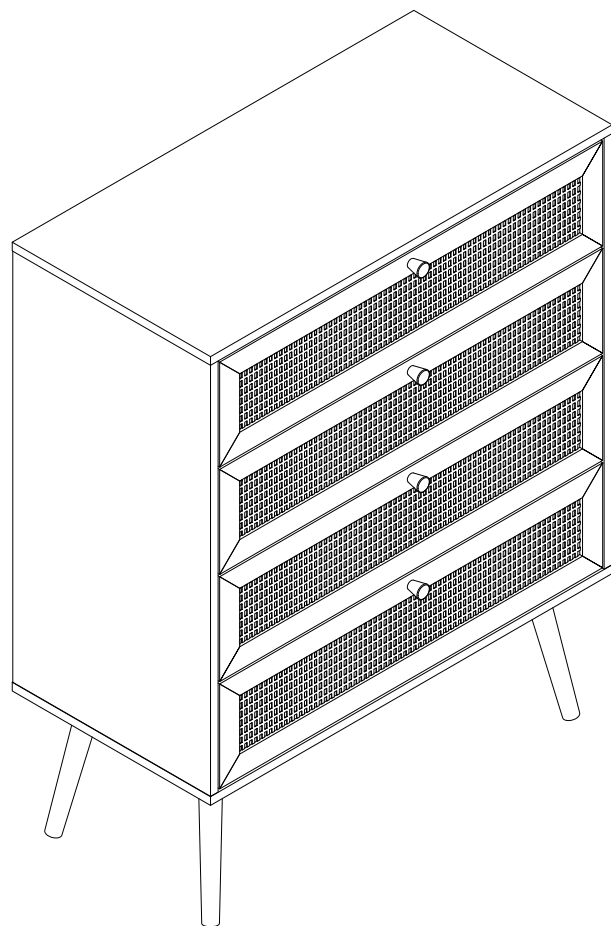
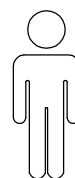
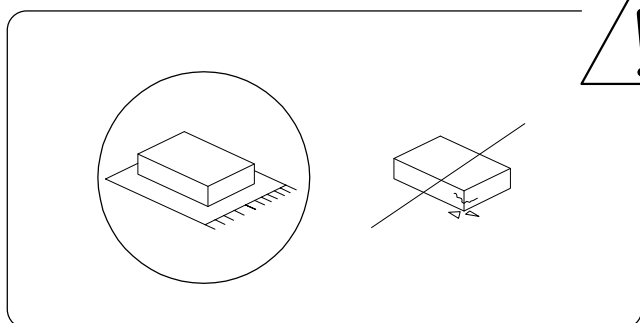


# PEROTE

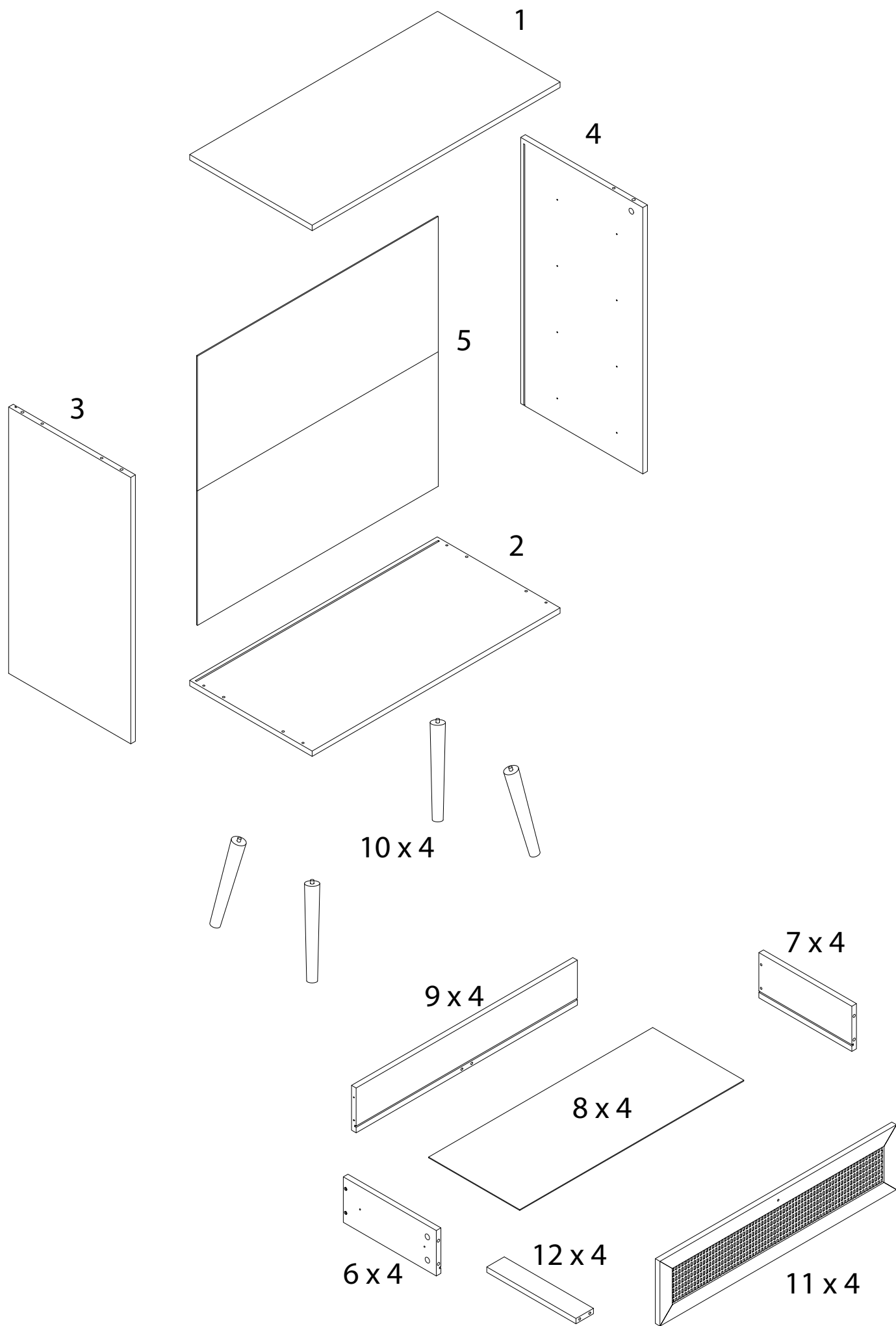


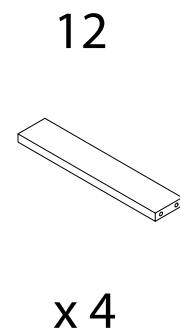
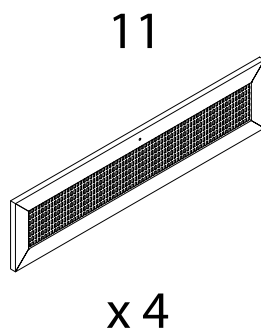
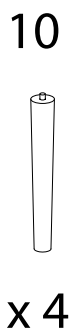
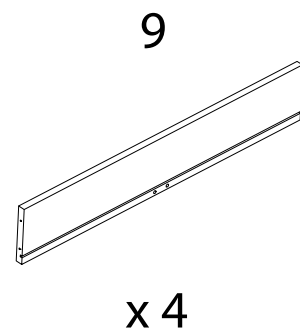
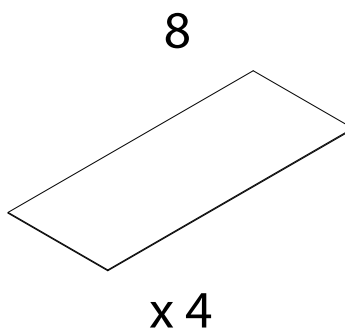
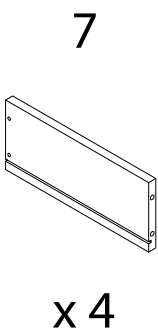
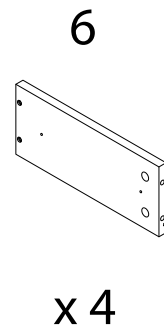
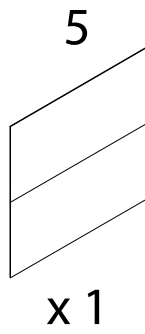
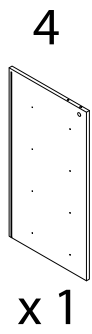
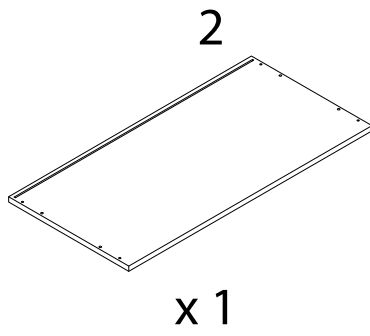
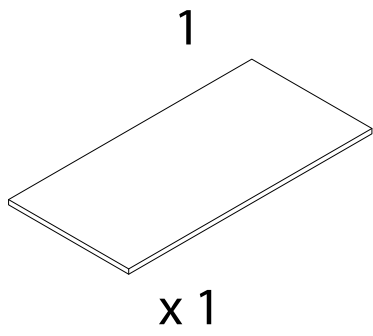


90'



2



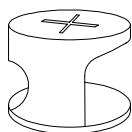


A



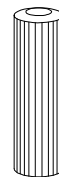
x 20

B



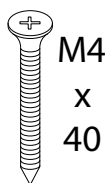
x 20

C



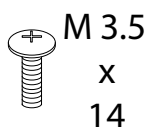
x 24

D



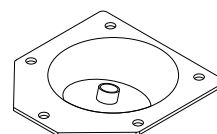
x 22

E



x 20

F



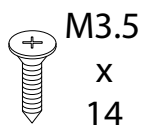
x 4

G



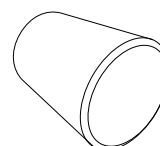
x 4

H



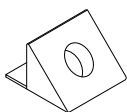
x 46

I



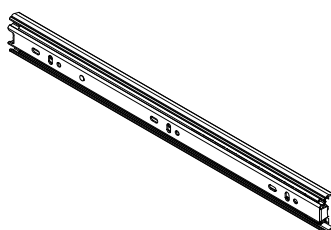
x 4

J



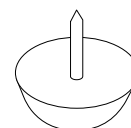
x 12

K



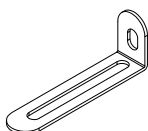
x 8

L



x 4

M



x 2

N

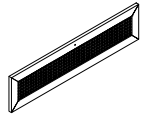


x 2



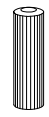
2 x 4

11

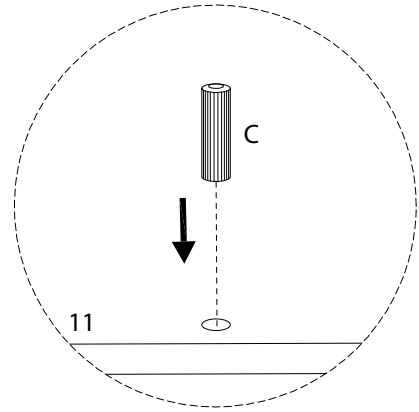
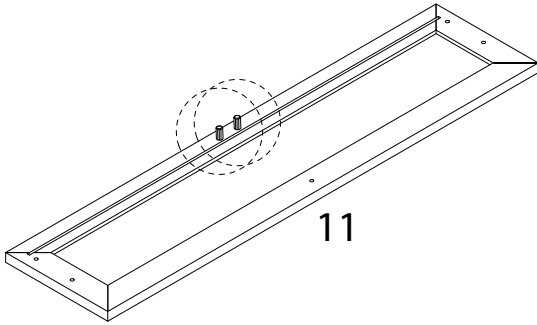


x 1

C

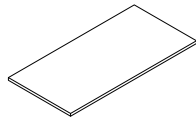


x 2



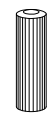
3

1

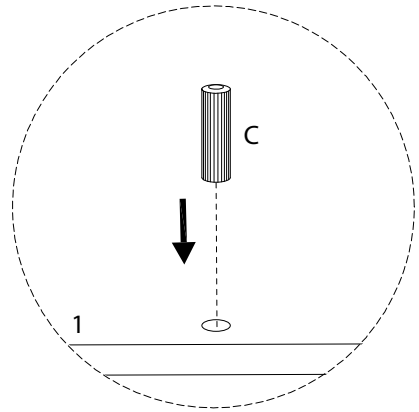
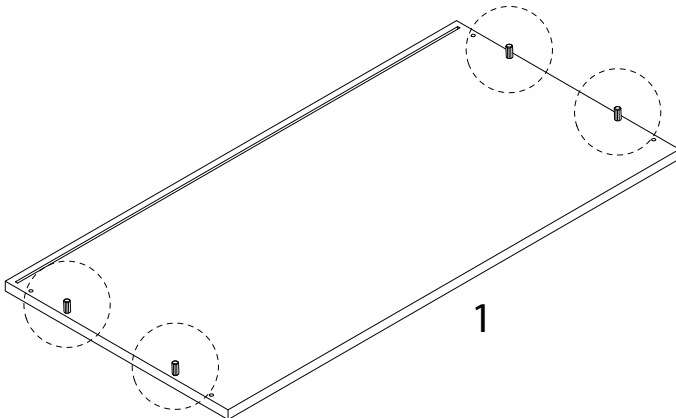


x 1

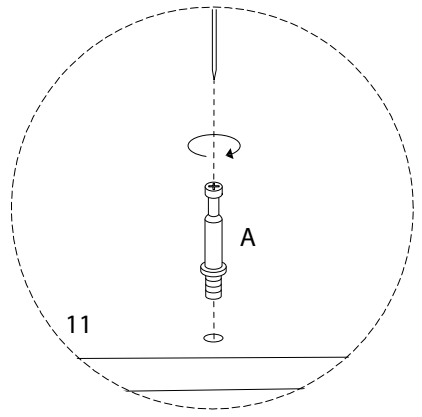
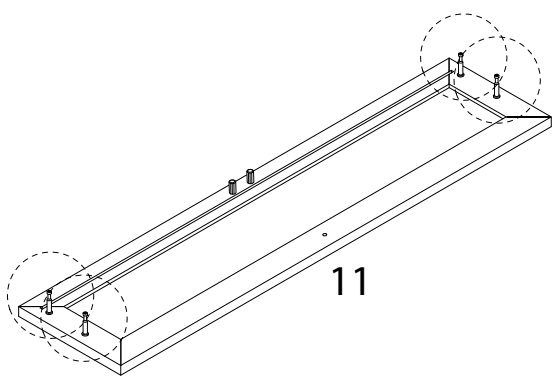
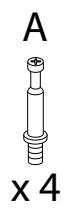
C



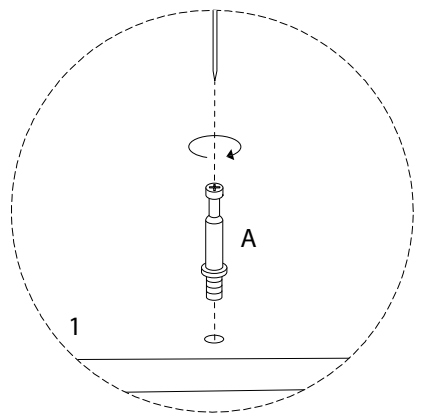
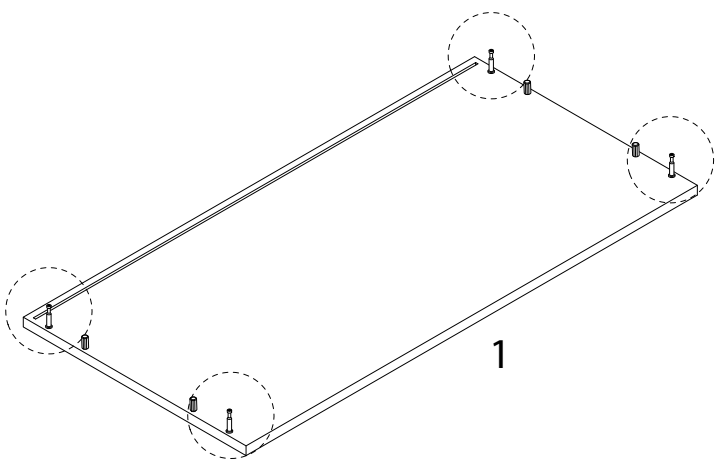
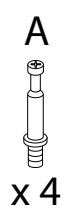
x 4



4 x 4

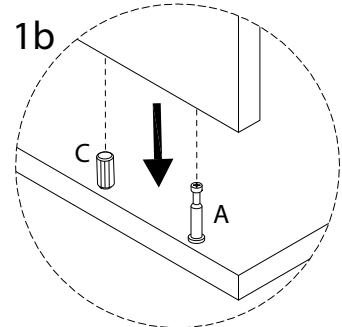
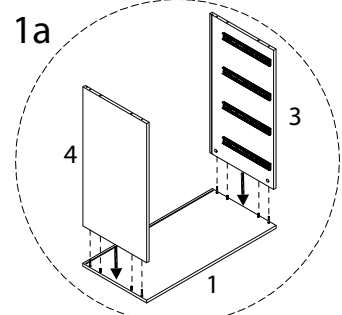
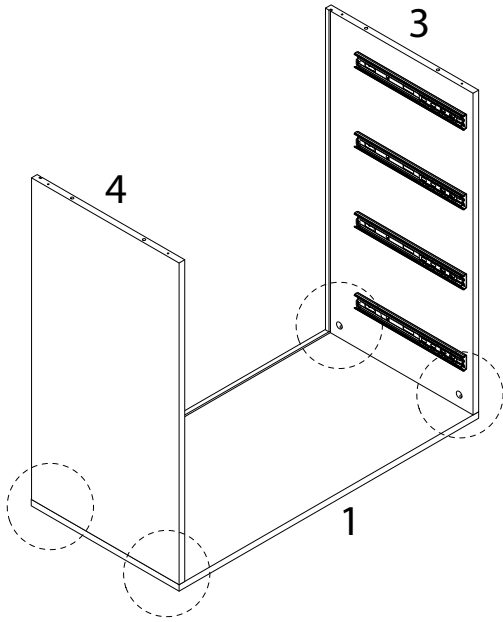


5

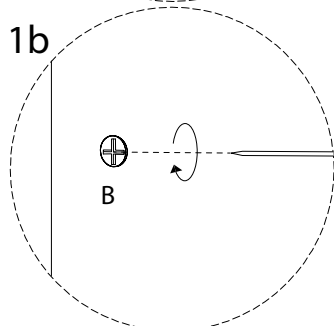
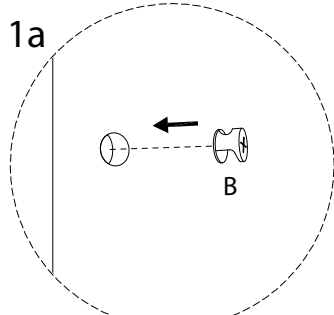
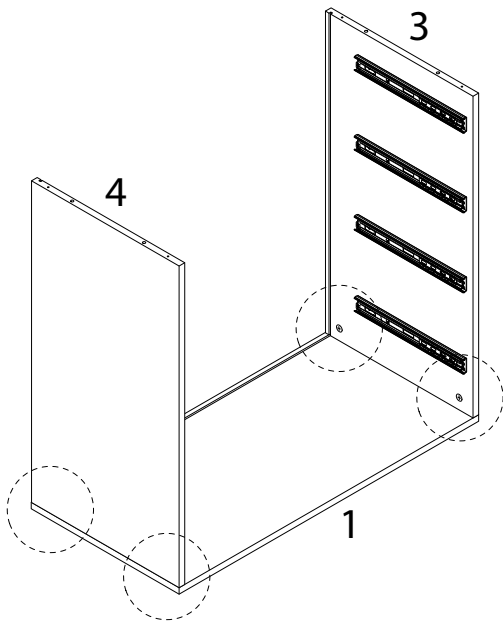
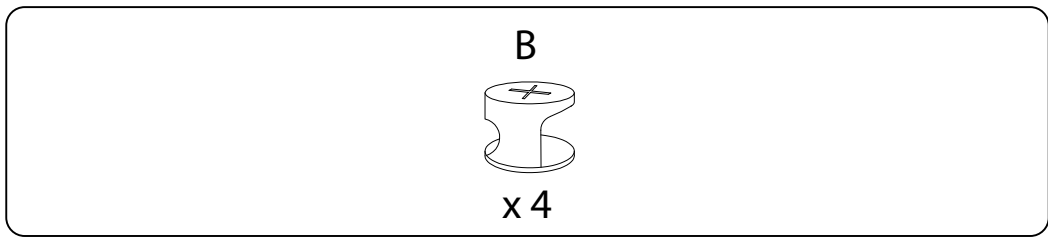




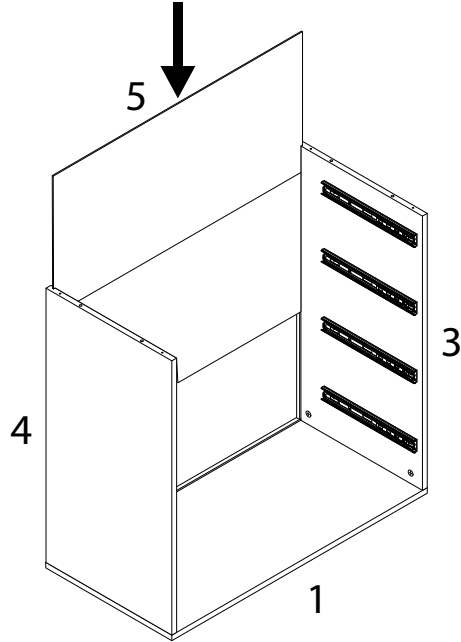
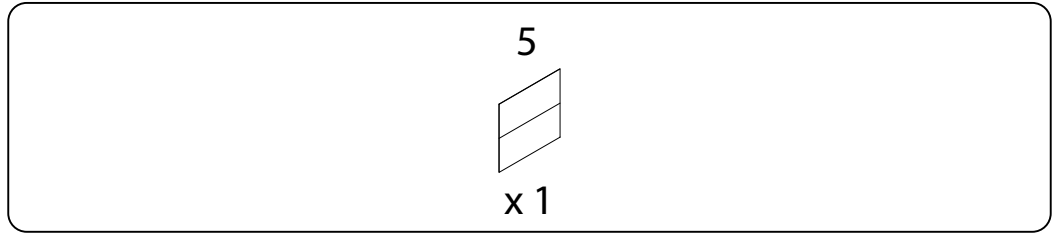
6



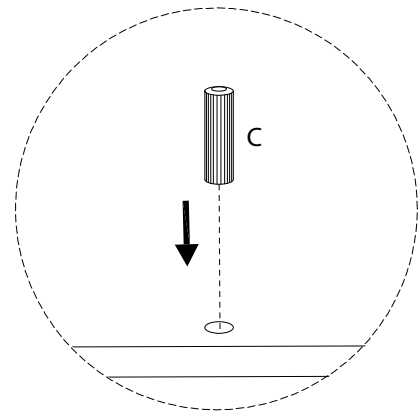
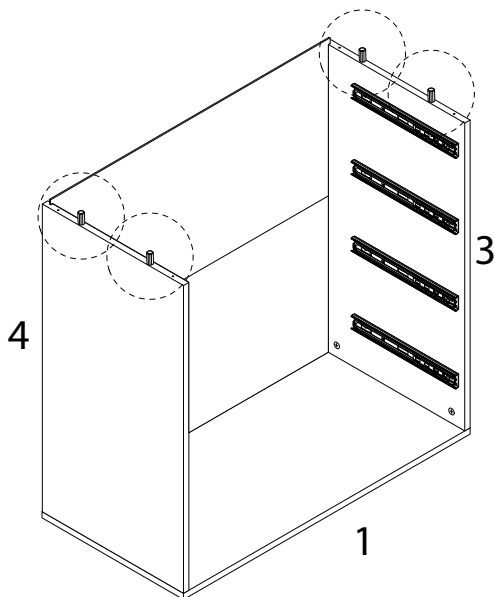
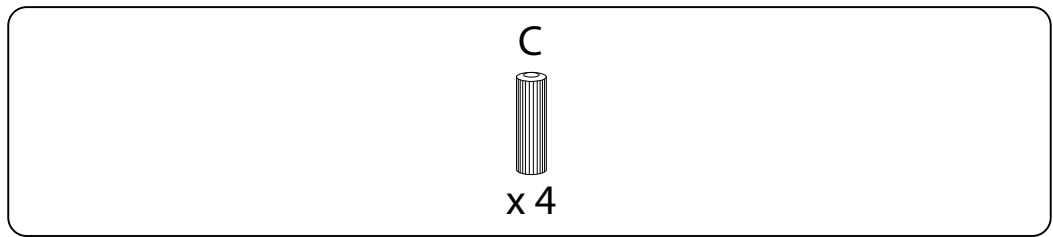
7



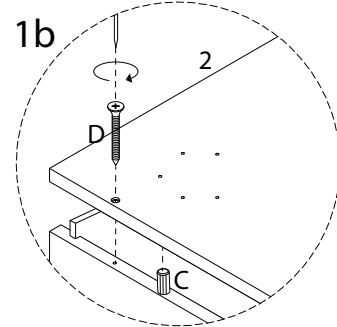
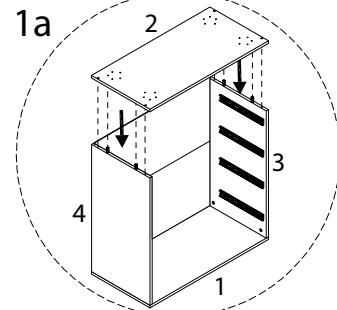
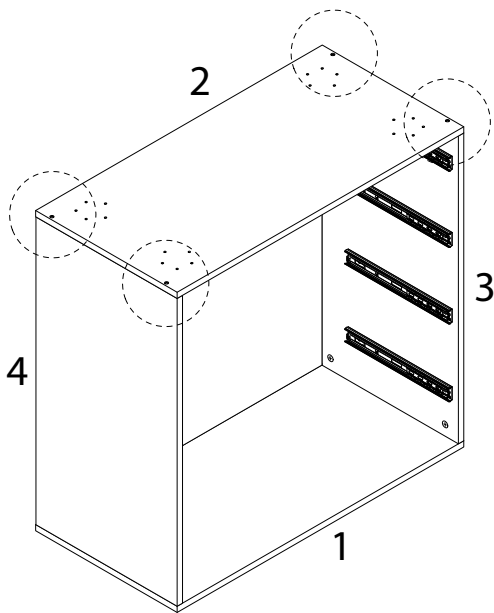
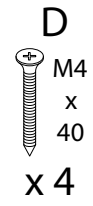
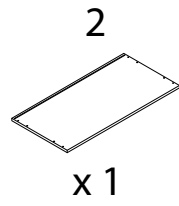
8



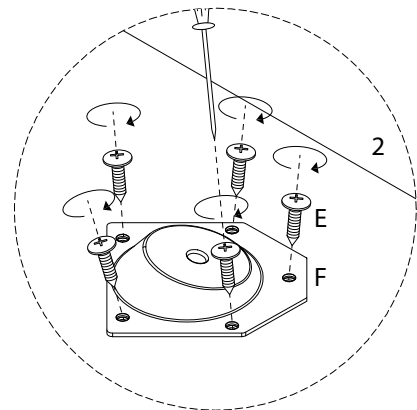
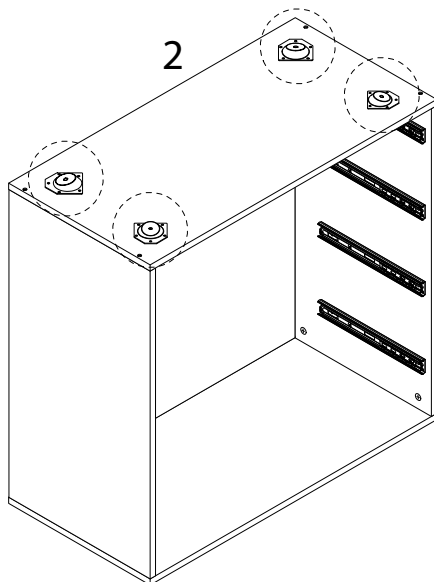
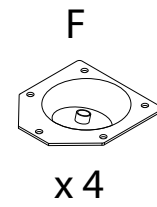
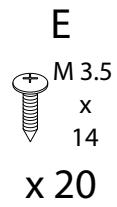
9



10



11



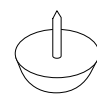
12

10

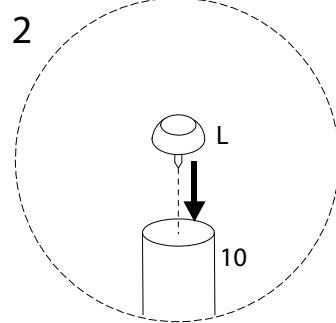
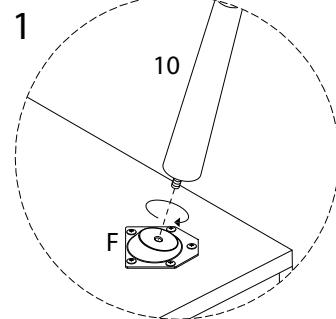
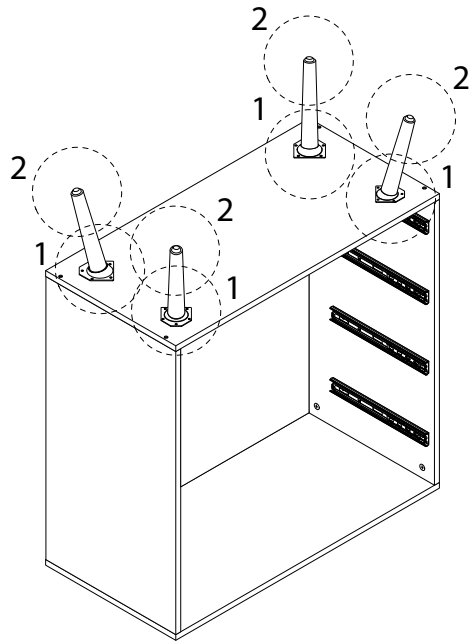


x 4

L

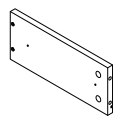


x 4



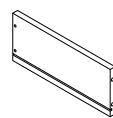
13 x 4

6



x 1

7



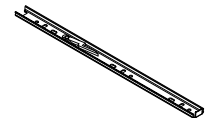
x 1

H

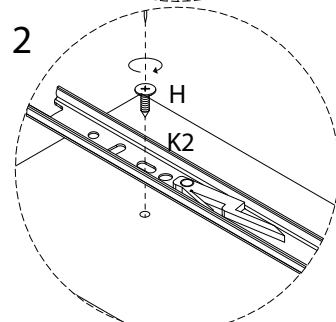
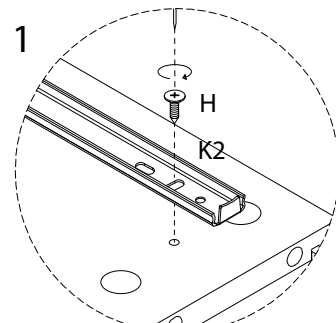
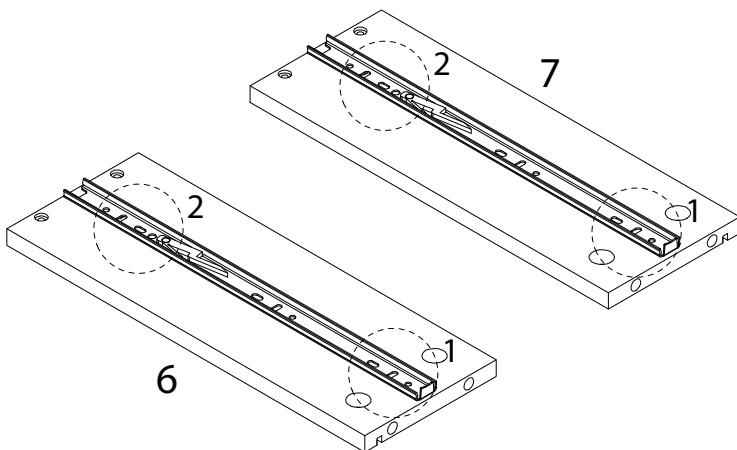


x 4

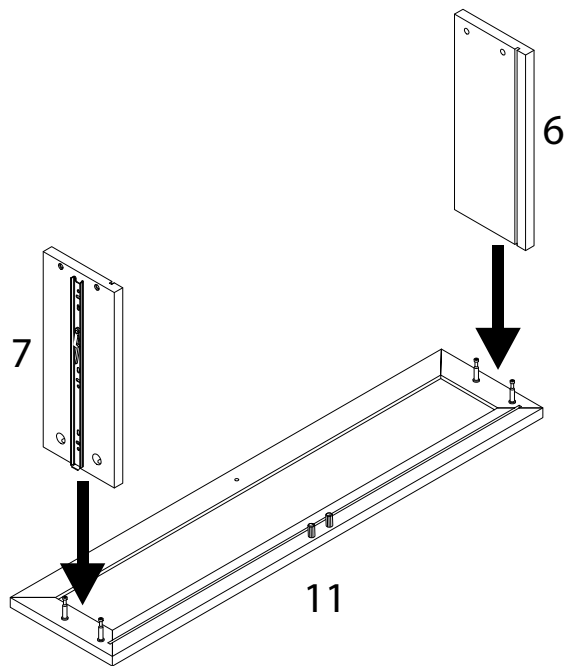
K2



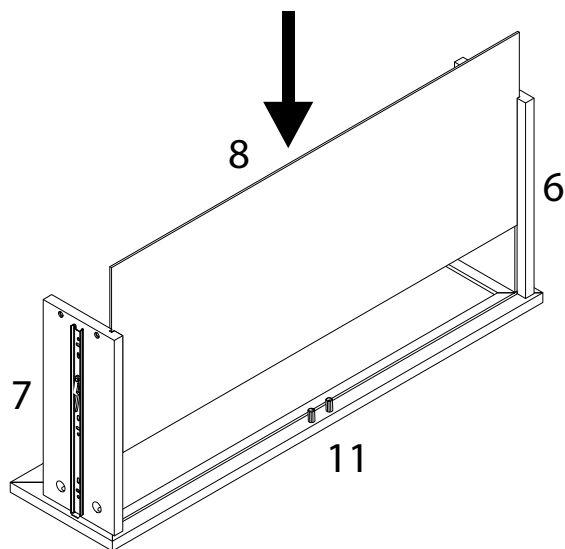
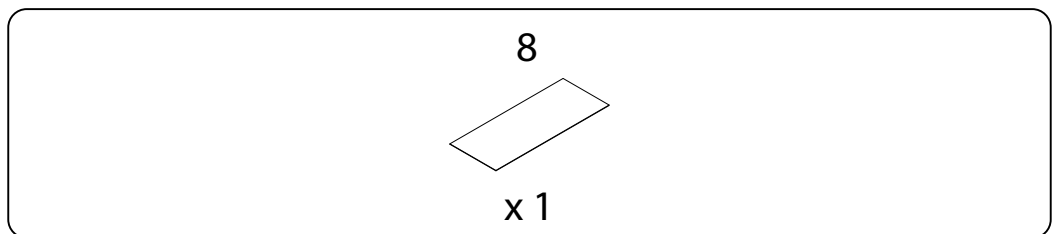
x 2



14 x 4



15 x 4

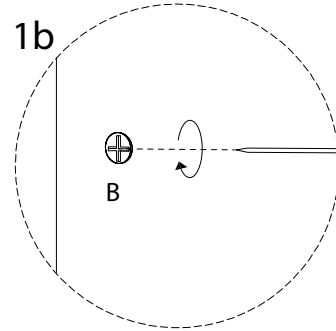
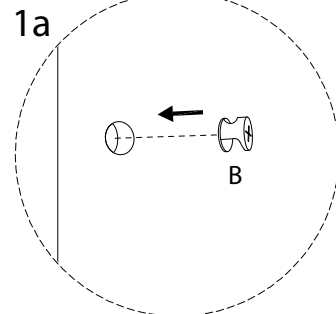
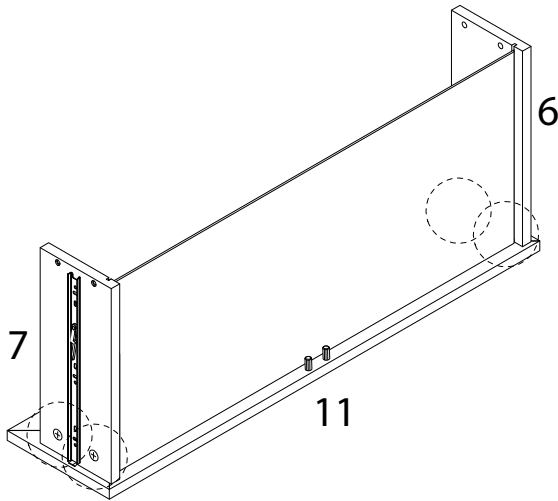


16 x 4

B

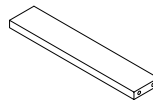


x 4

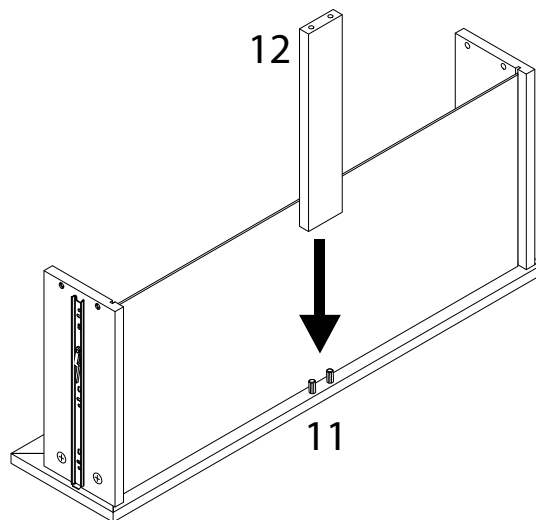


17 x 4

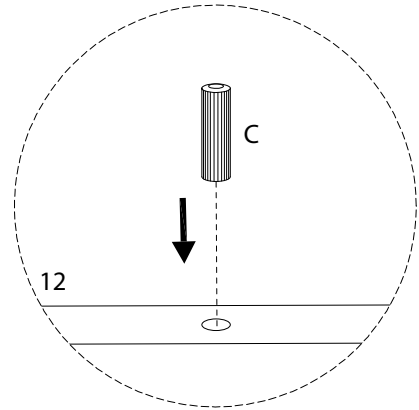
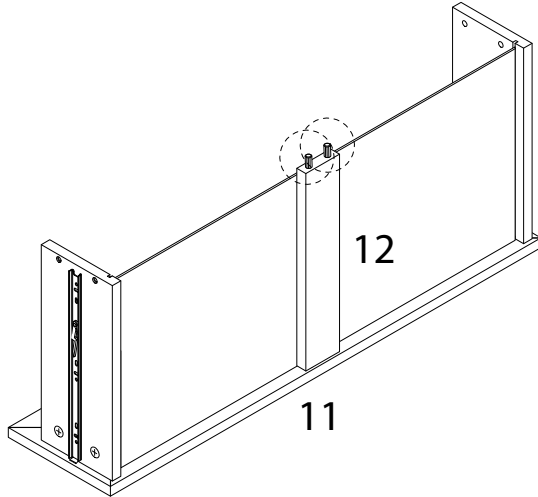
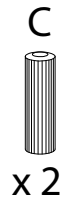
12



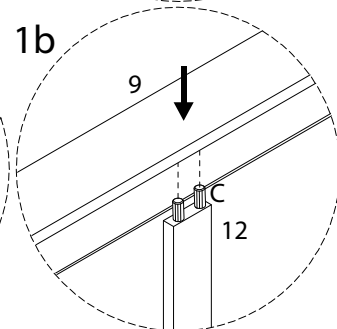
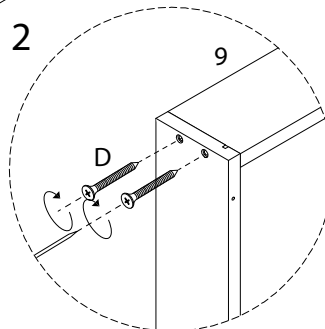
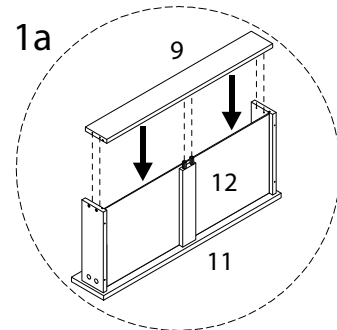
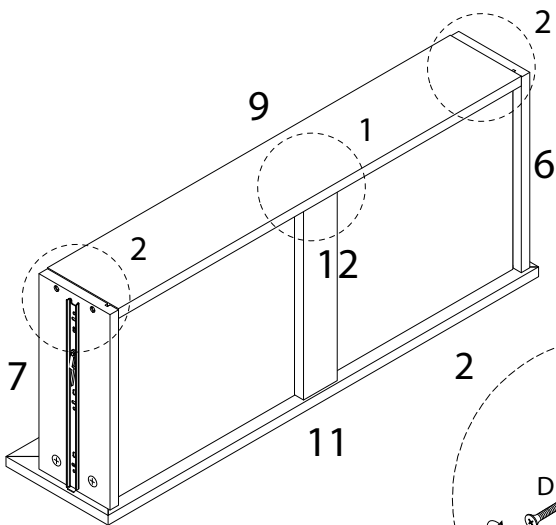
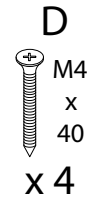
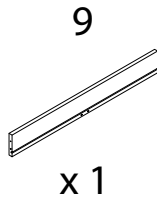
x 1



18 x 4

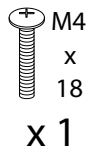


19 x 4

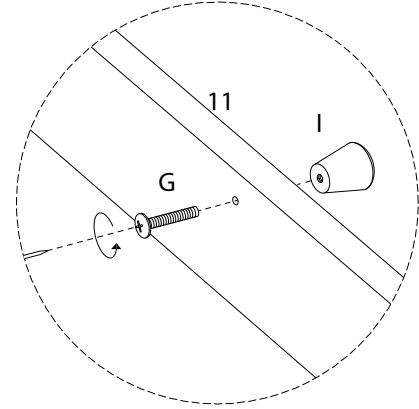
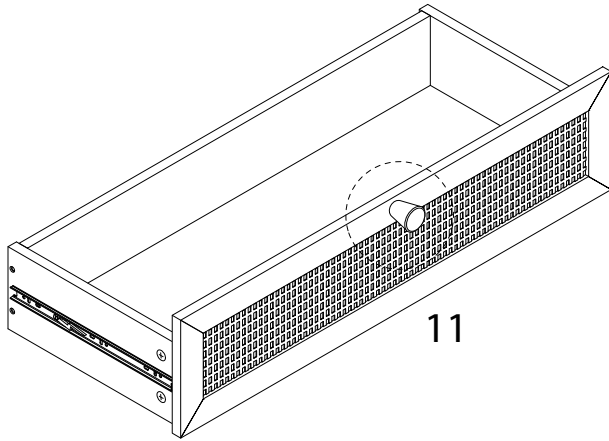


20 x 4

G



I

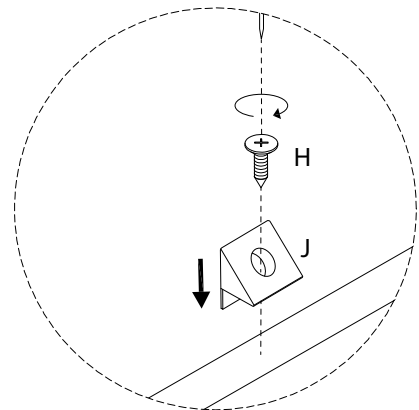
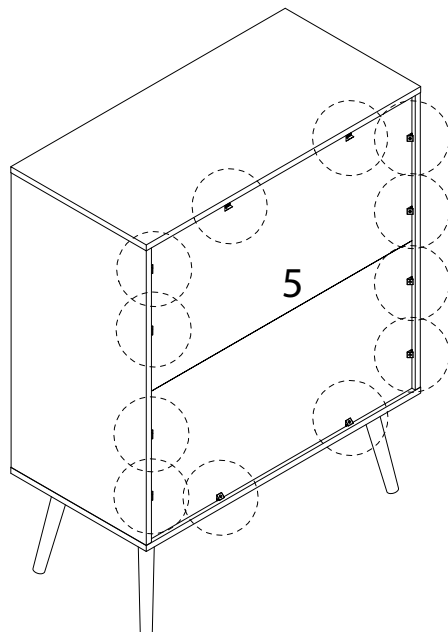
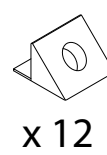


21

H

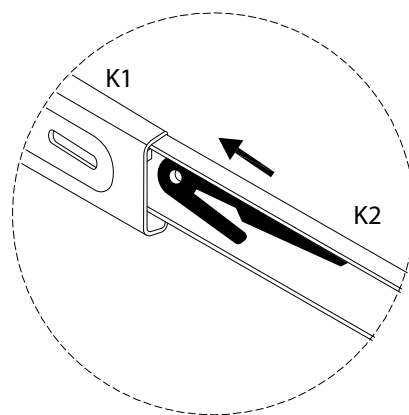
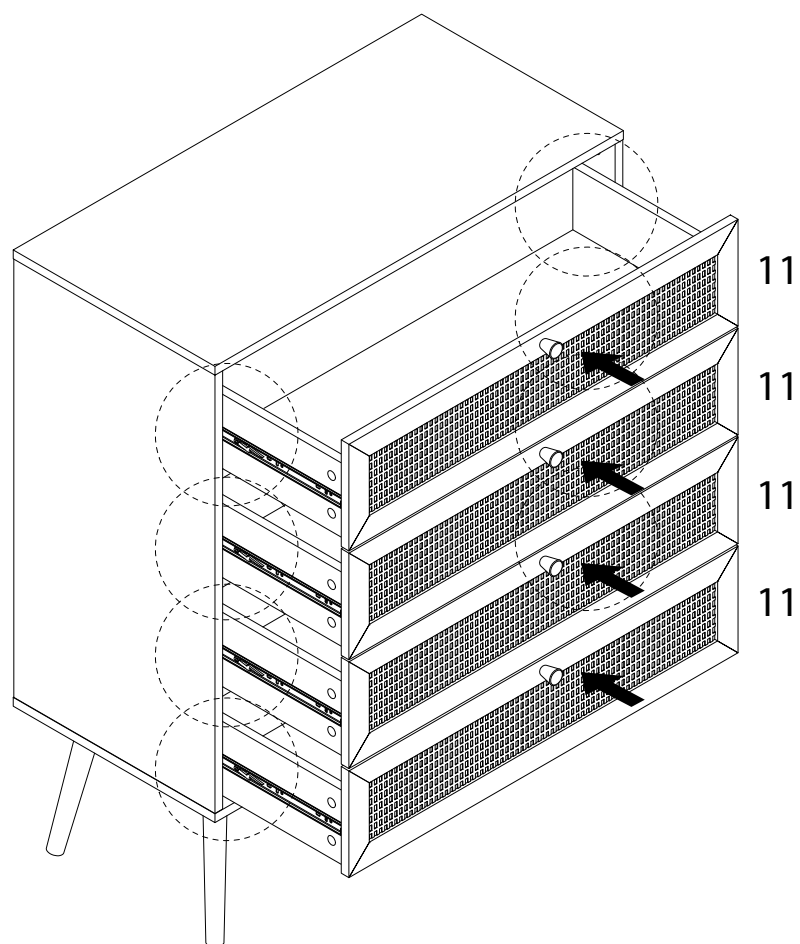


J





22



23

D  
M4  
x  
40  
x 2

H  
M3.5  
x  
14  
x 2

M  
x 2

N  
x 2

