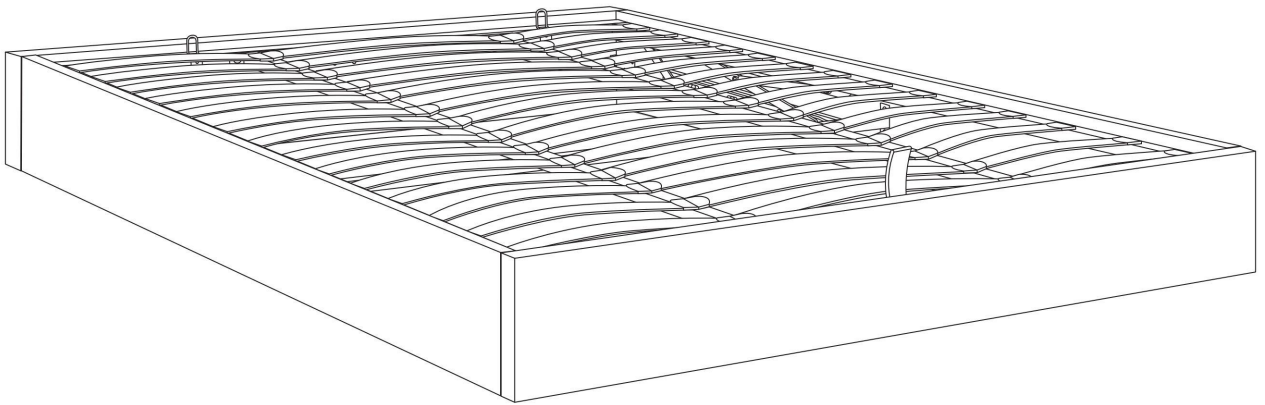
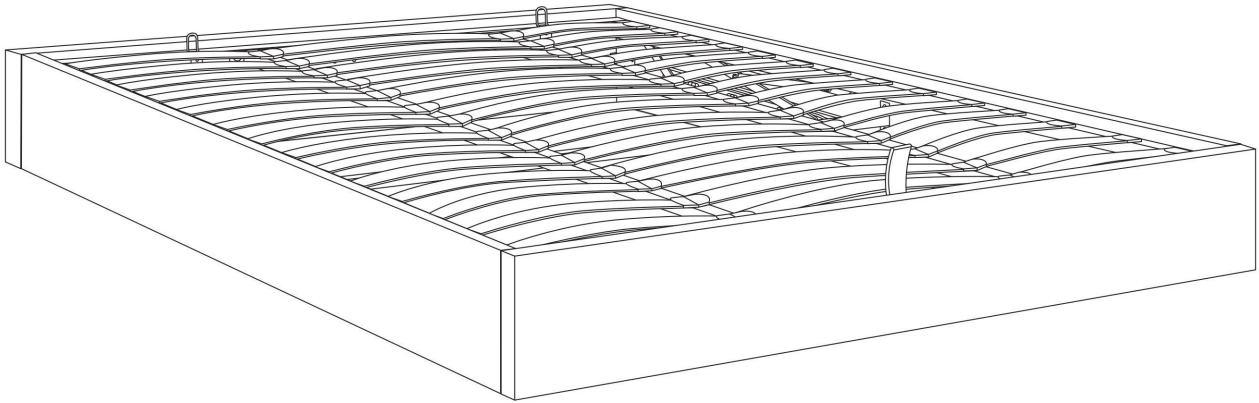
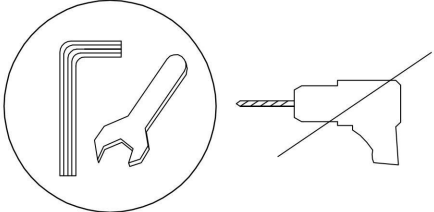

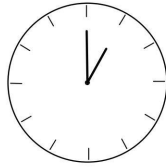
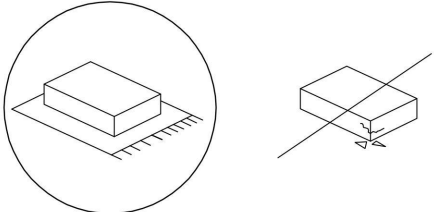

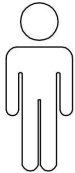
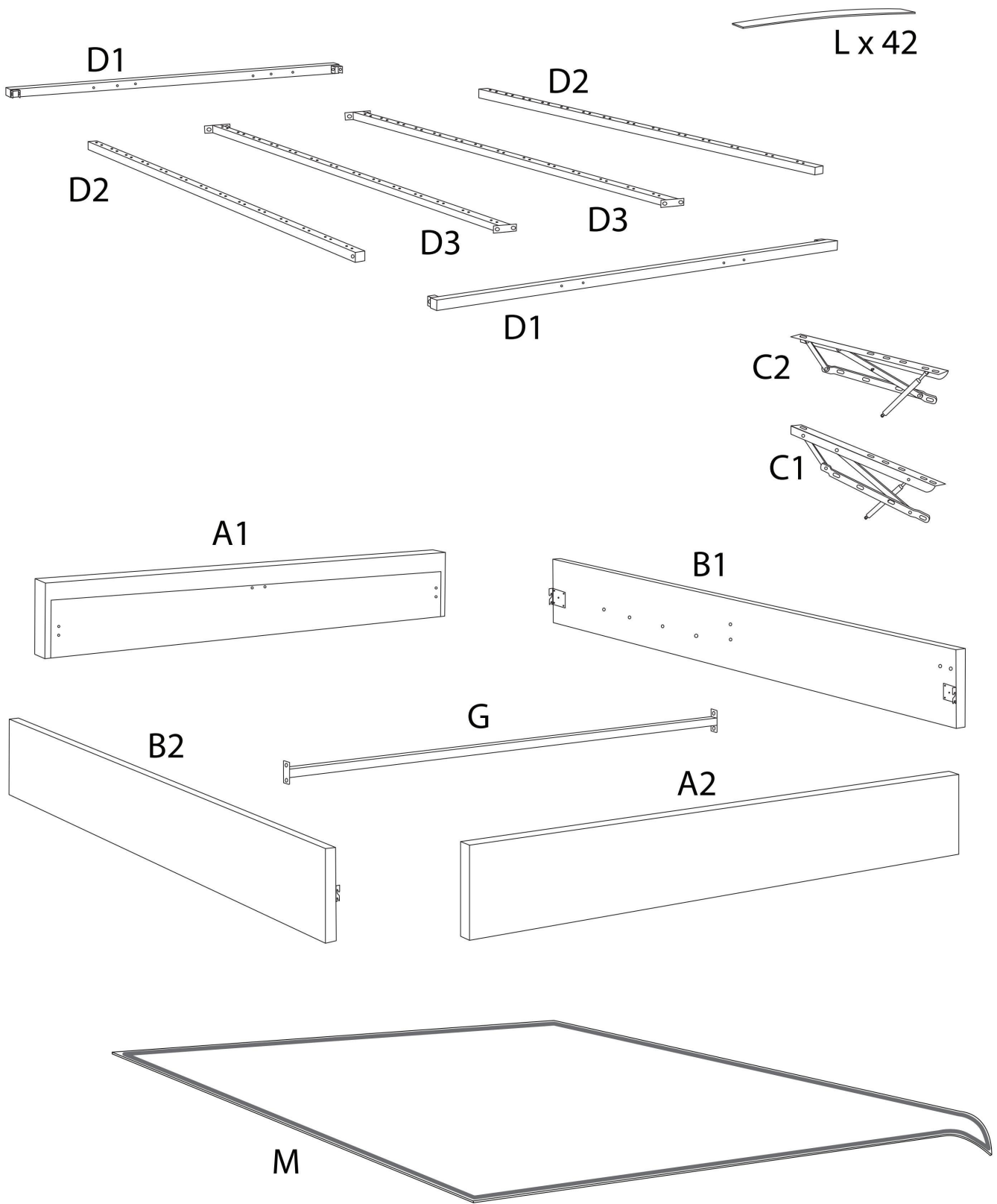


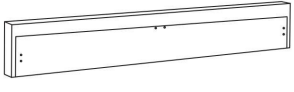
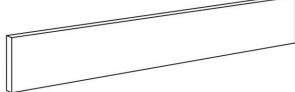
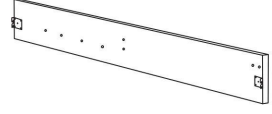
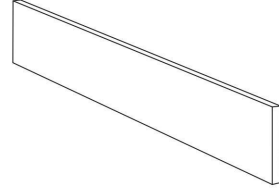
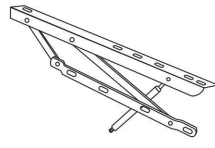
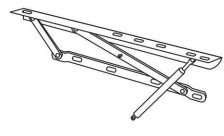

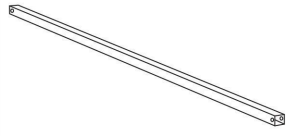
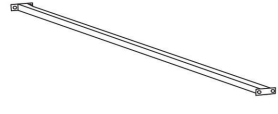
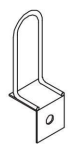


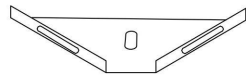
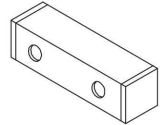
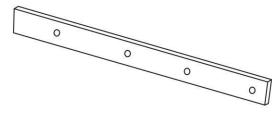

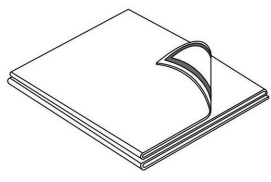
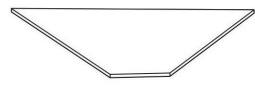
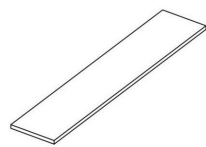
DINAN



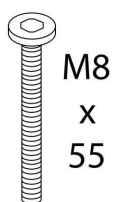


		
		
		2



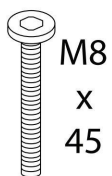
<p>A1</p>  <p>x 1</p>	<p>A2</p>  <p>x 1</p>	<p>B1</p>  <p>x 1</p>	<p>B2</p>  <p>x 1</p>
<p>C1</p>  <p>x 1</p>	<p>C2</p>  <p>x 1</p>	<p>D1</p>  <p>x 2</p>	<p>D2</p>  <p>x 2</p>
<p>D3</p>  <p>x 2</p>	<p>E</p>  <p>x 2</p>	<p>F</p>  <p>x 1</p>	<p>G</p>  <p>x 1</p>
<p>I</p>  <p>x 2</p>	<p>J</p>  <p>x 2</p>	<p>K</p>  <p>x 2</p>	<p>L</p>  <p>x 28</p>
<p>M</p>  <p>x 1</p>	<p>N</p>  <p>x 2</p>	<p>O</p>  <p>x 4</p>	

1



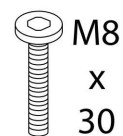
x 4

2



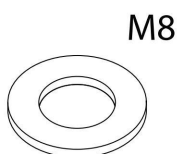
x 18

3



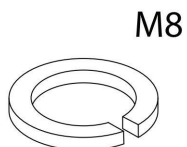
x 8

4



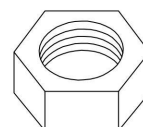
x 30

5



x 30

6



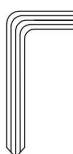
x 18

7



x 1

8



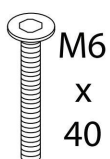
x 1

9



x 1

10



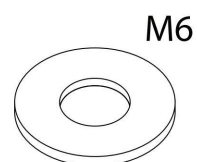
x 8

11



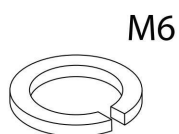
x 12

12



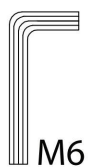
x 20

13



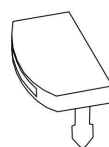
x 20

14



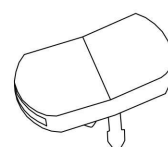
x 1

15



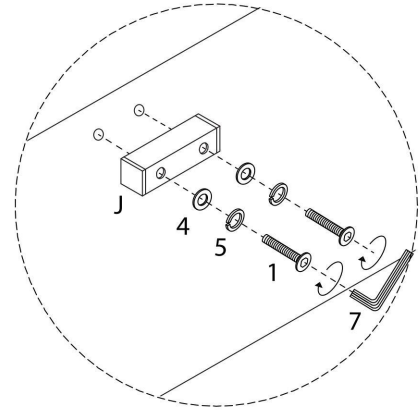
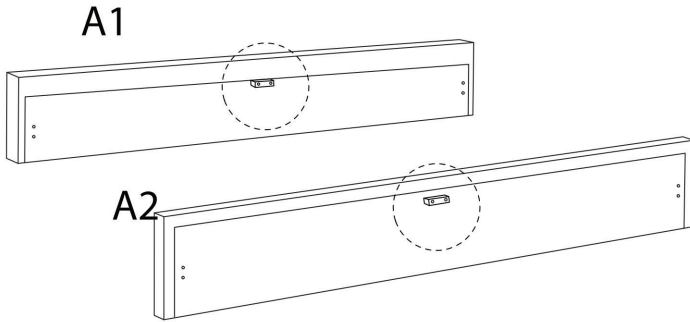
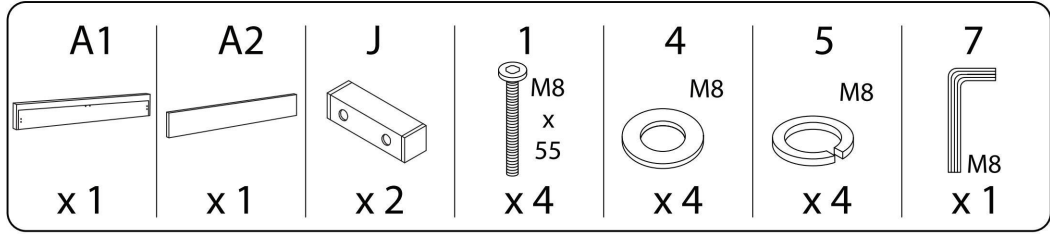
x 28

16

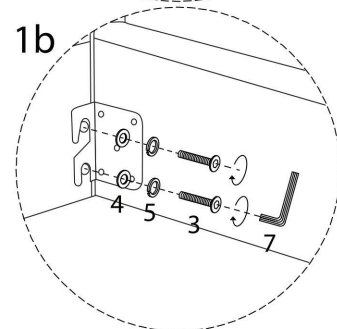
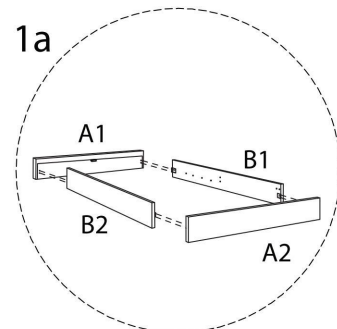
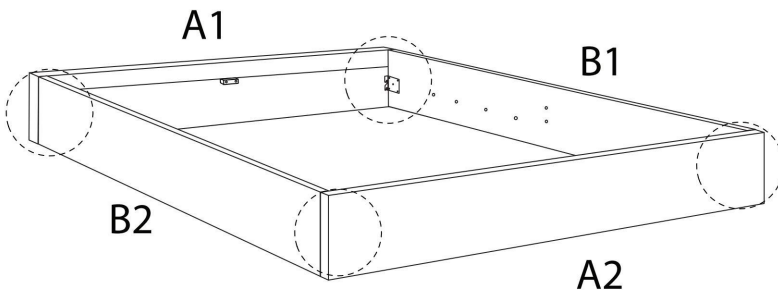
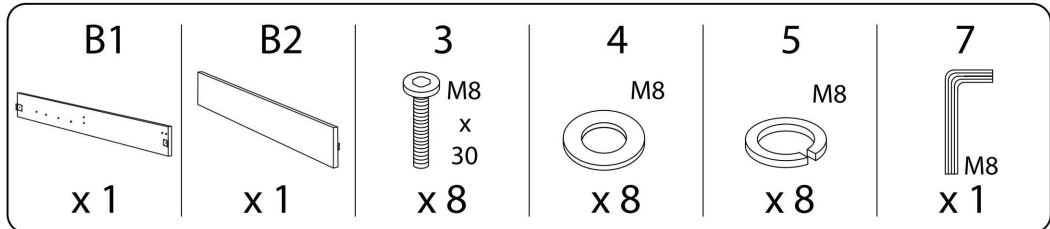


x 28

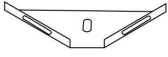


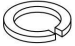

1

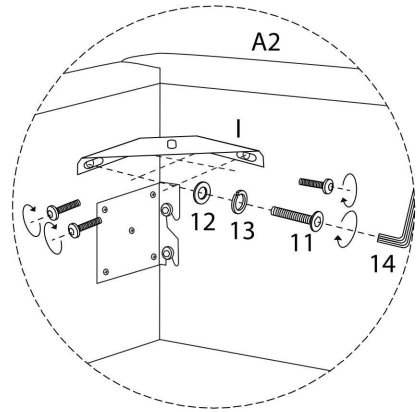
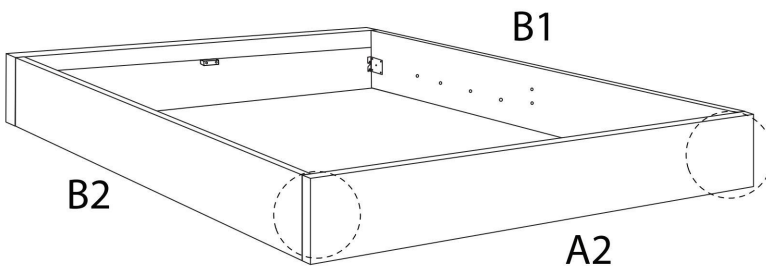


2

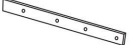

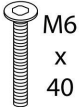

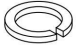



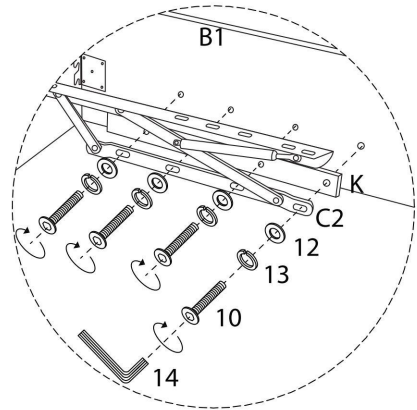
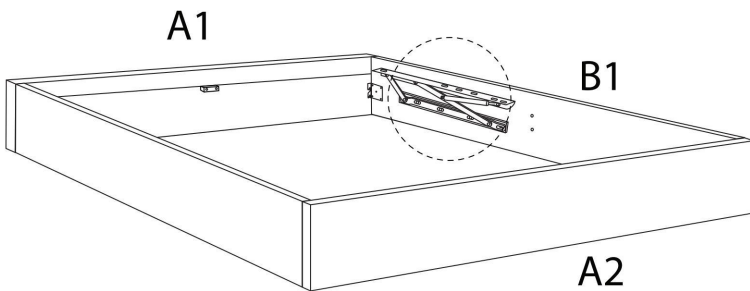
3

I	11	12	13	14
				
x 2	M6 x 20 x 8	M6 x 8	M6 x 8	M6 x 1

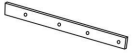

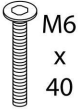

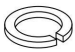



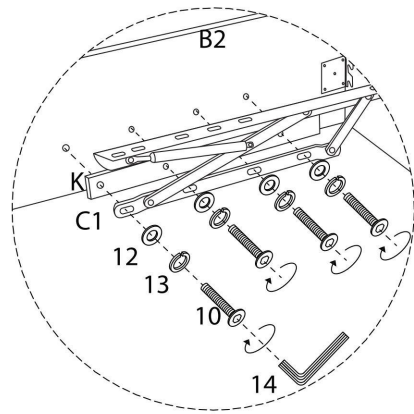
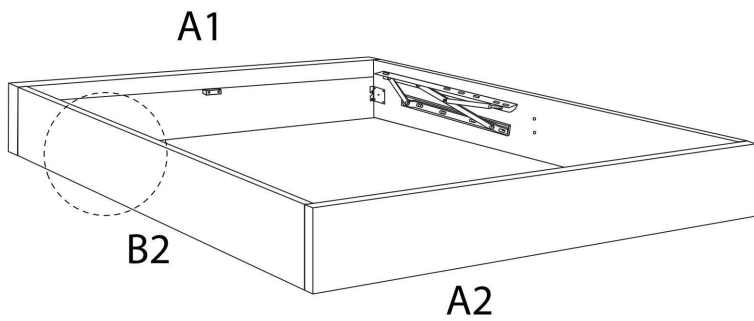
4

K	C2	10	12	13	14
					
x 1	x 1	M6 x 40 x 4	M6 x 4	M6 x 4	M6 x 1








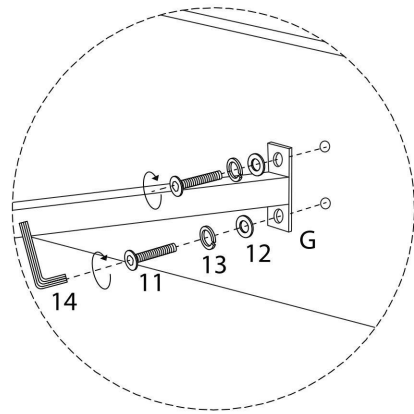
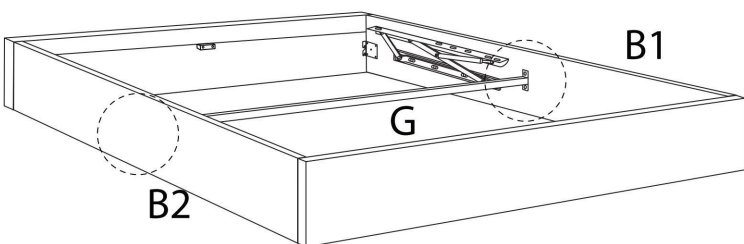
5

K	C1	10	12	13	14
					
x 1	x 1	x 4	x 4	x 4	x 1

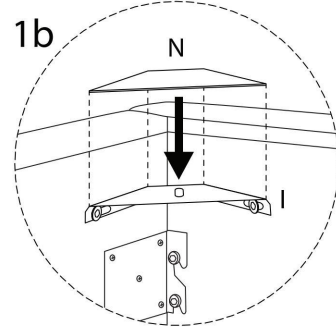
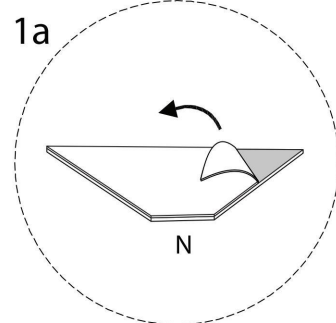
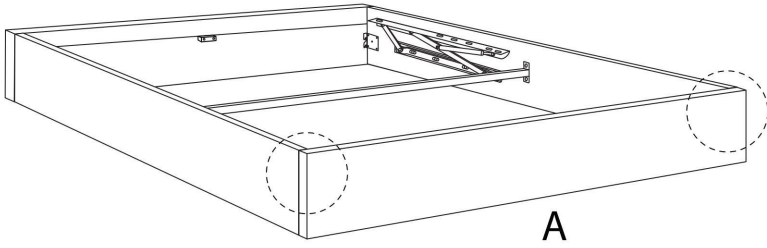
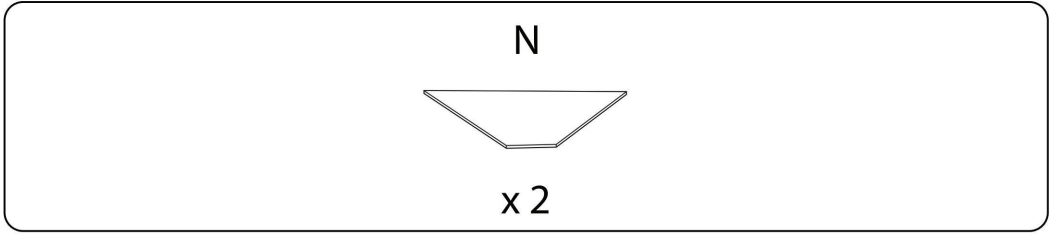


6

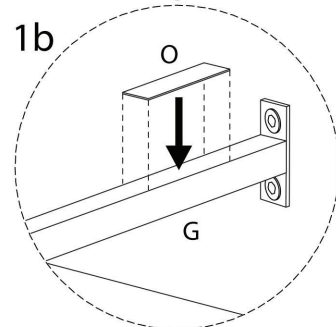
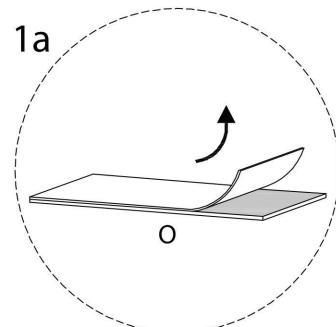
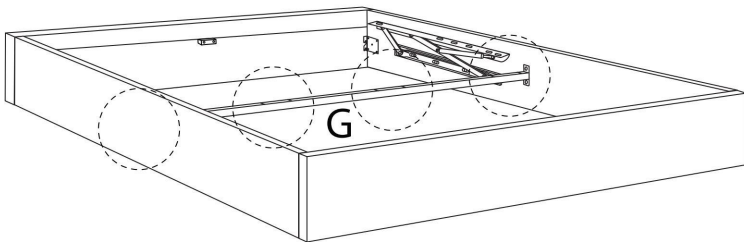
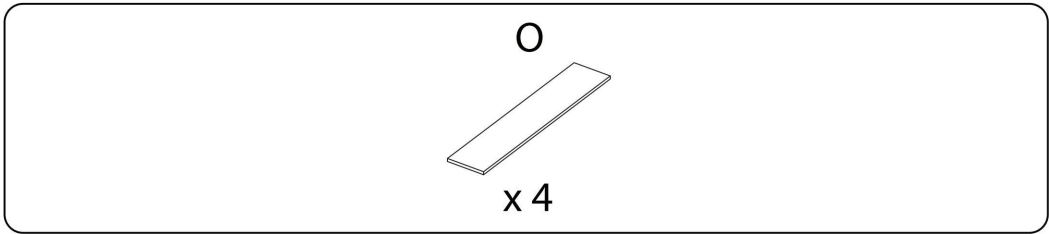
G	11	12	13	14
				
x 1	x 4	x 4	x 4	x 1




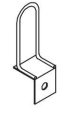
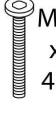
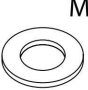

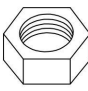


7

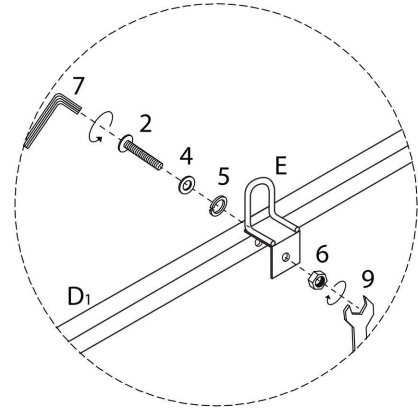
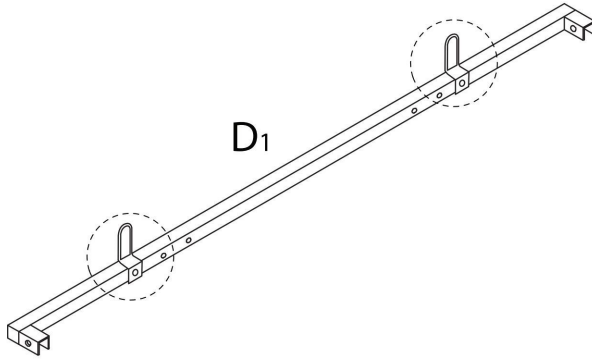


8

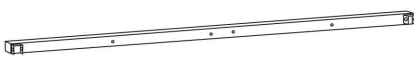



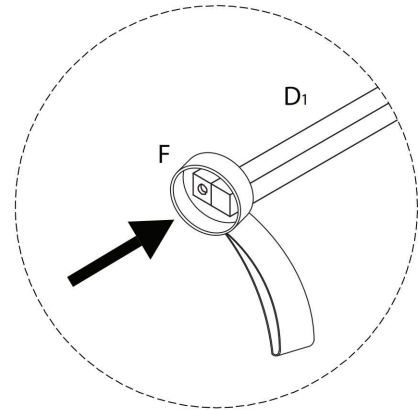
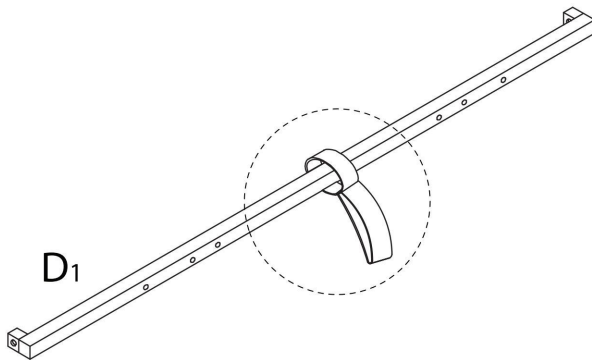
9

D ₁	E	2	4	5	6	7	9
							
x 1	x 2	x 2	x 2	x 2	x 2	x 1	x 1


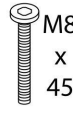


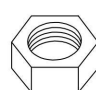




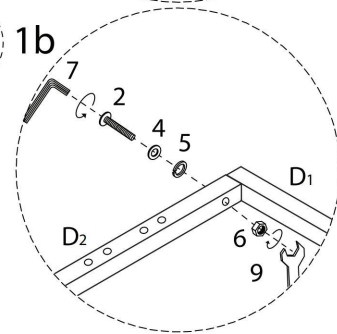
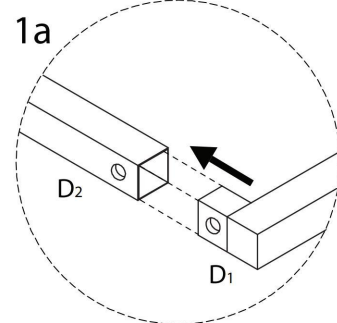
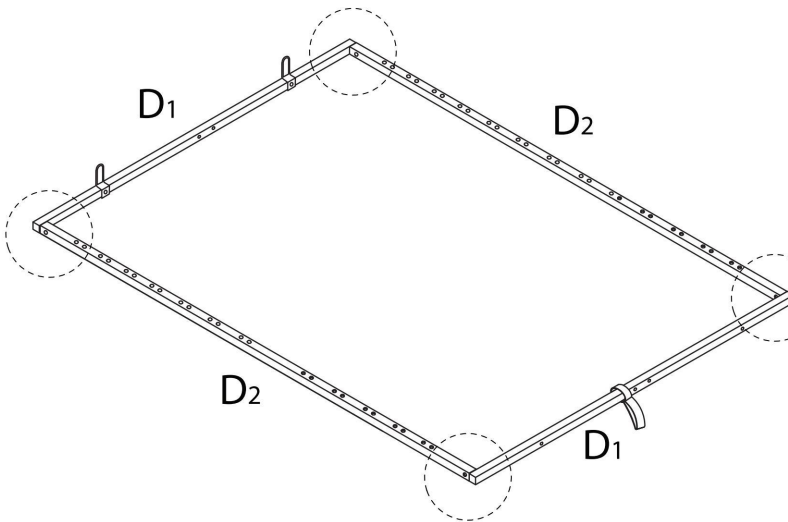
10

D ₁	F
	
x 1	x 1


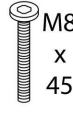

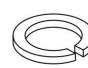
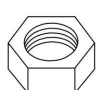




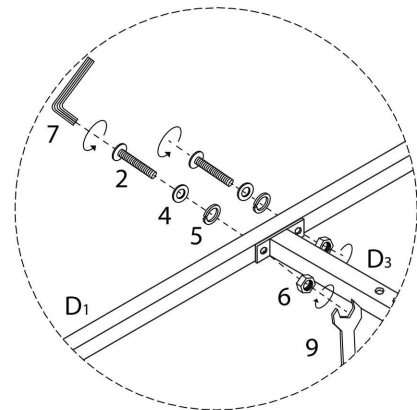
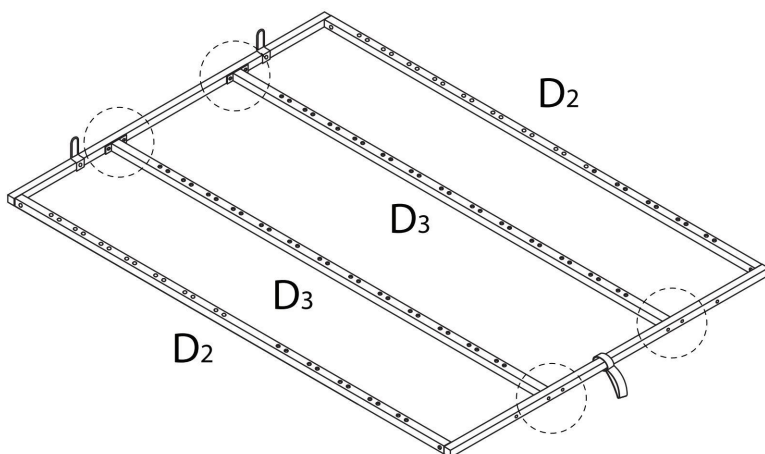
11

D ₂	2	4	5	6	7	9
						
x 2	x 4	x 4	x 4	x 4	x 1	x 1



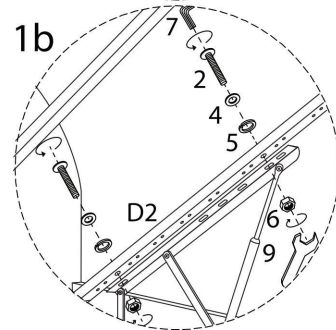
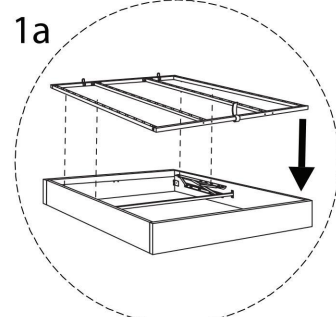
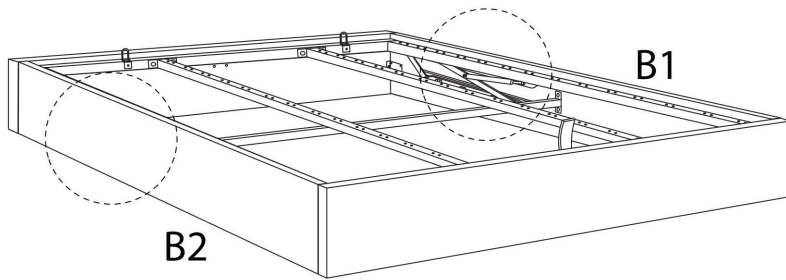
12

D ₃	2	4	5	6	7	9
						
x 2	x 8	x 8	x 8	x 8	x 1	x 1



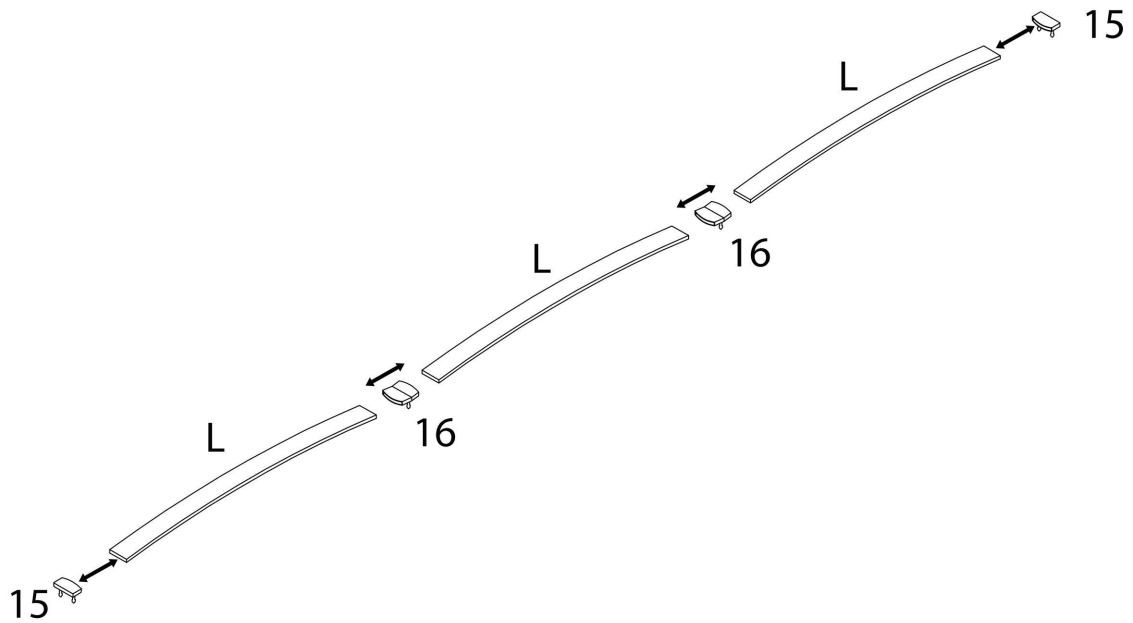
13

2 M8 x 45 x 4	4 M8 x 4	5 M8 x 4	6 x 4	7 M8 x 1	9 x 1
------------------------	----------------	----------------	----------	----------------	----------

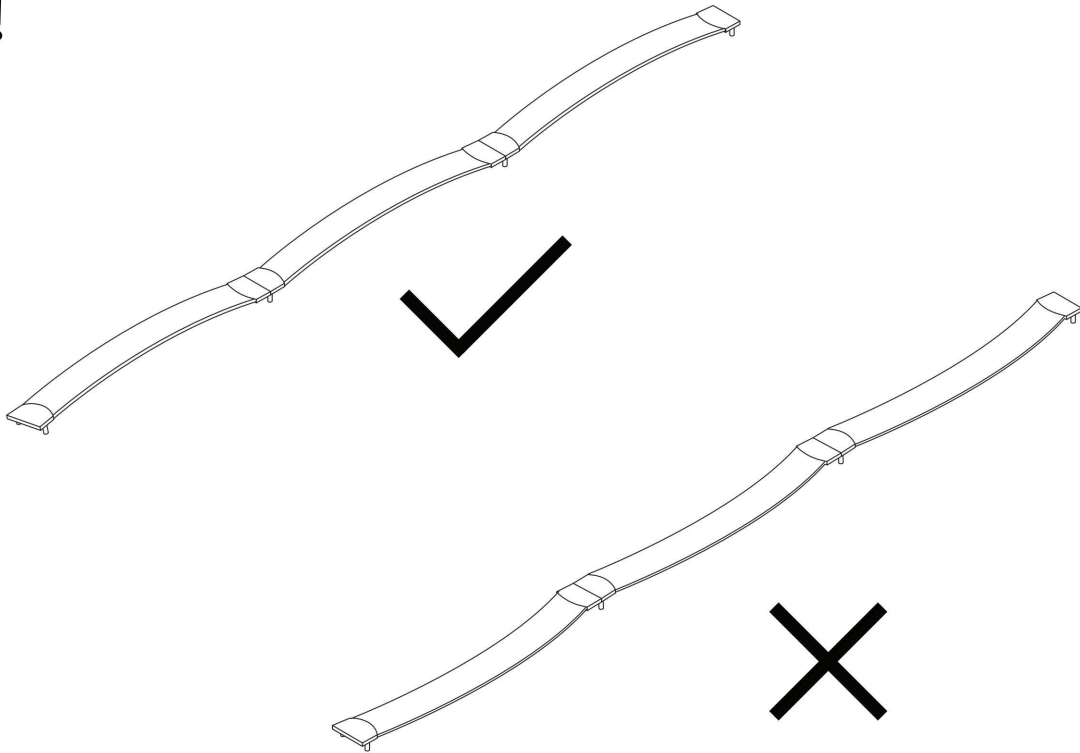


14 x 14

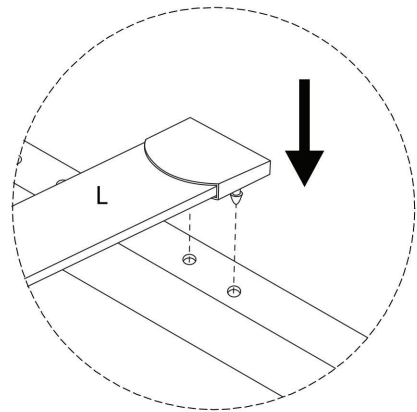
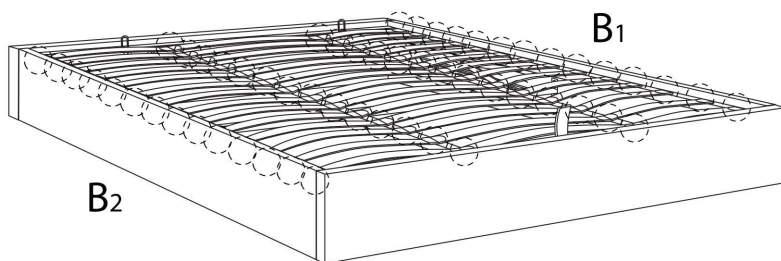
L x 2	15 x 2	16 x 2
----------	-----------	-----------



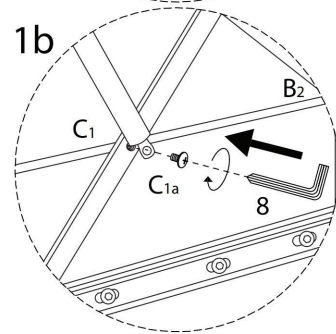
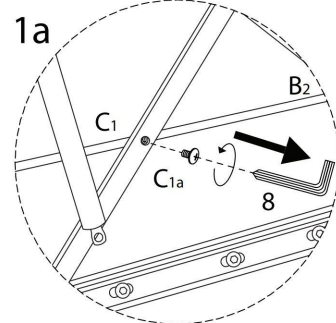
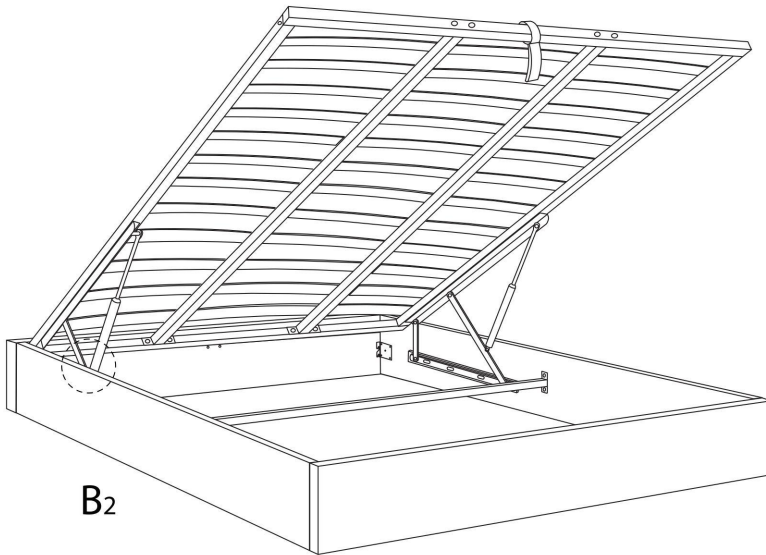
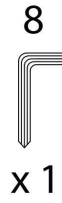
!



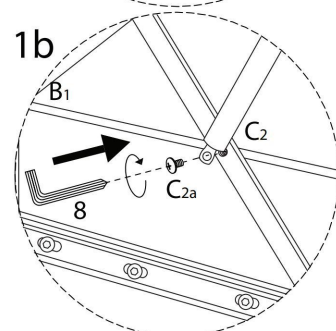
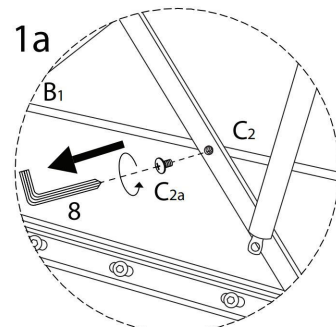
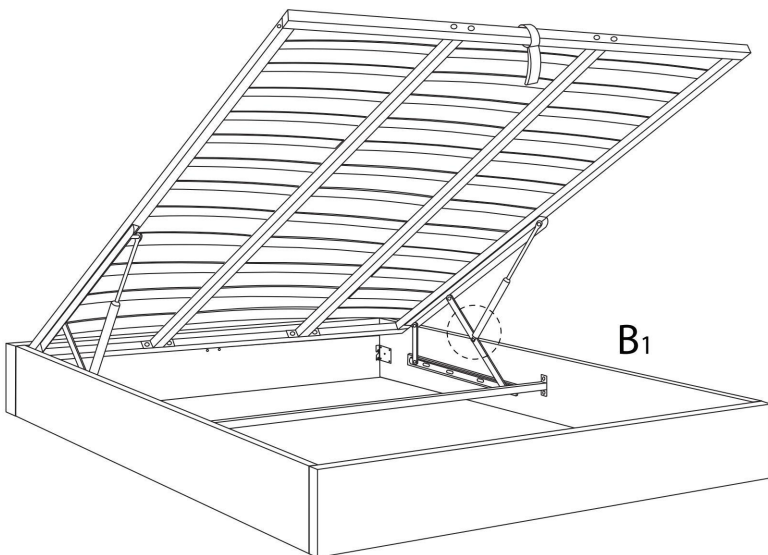
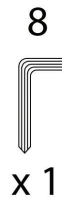
15



16



17



18

