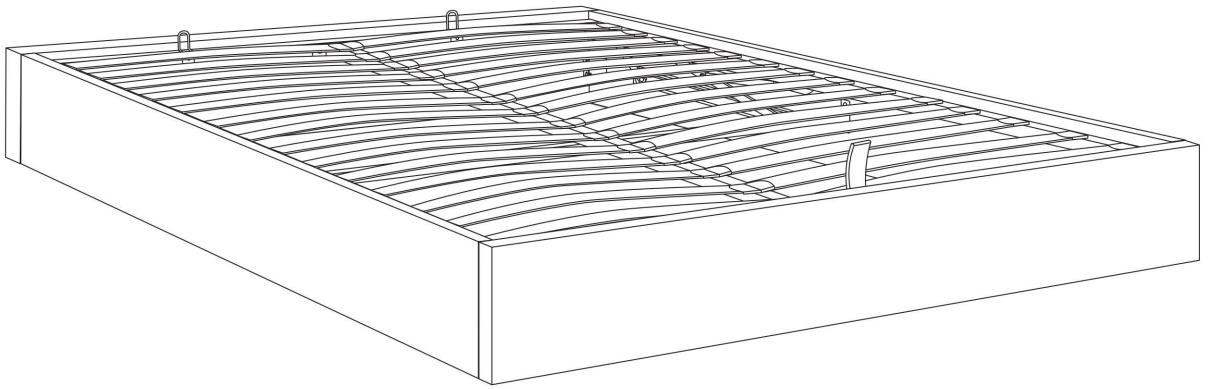
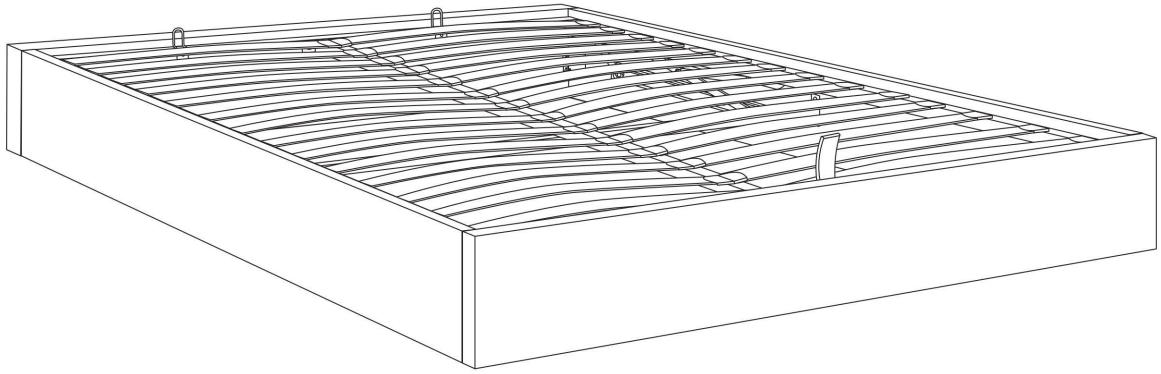
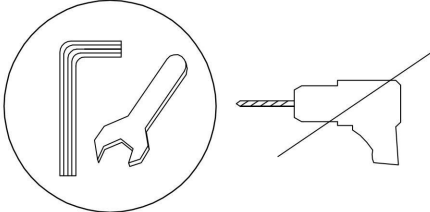

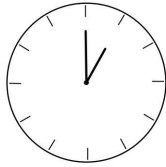
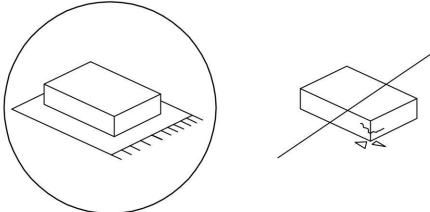

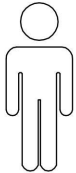


DINAN

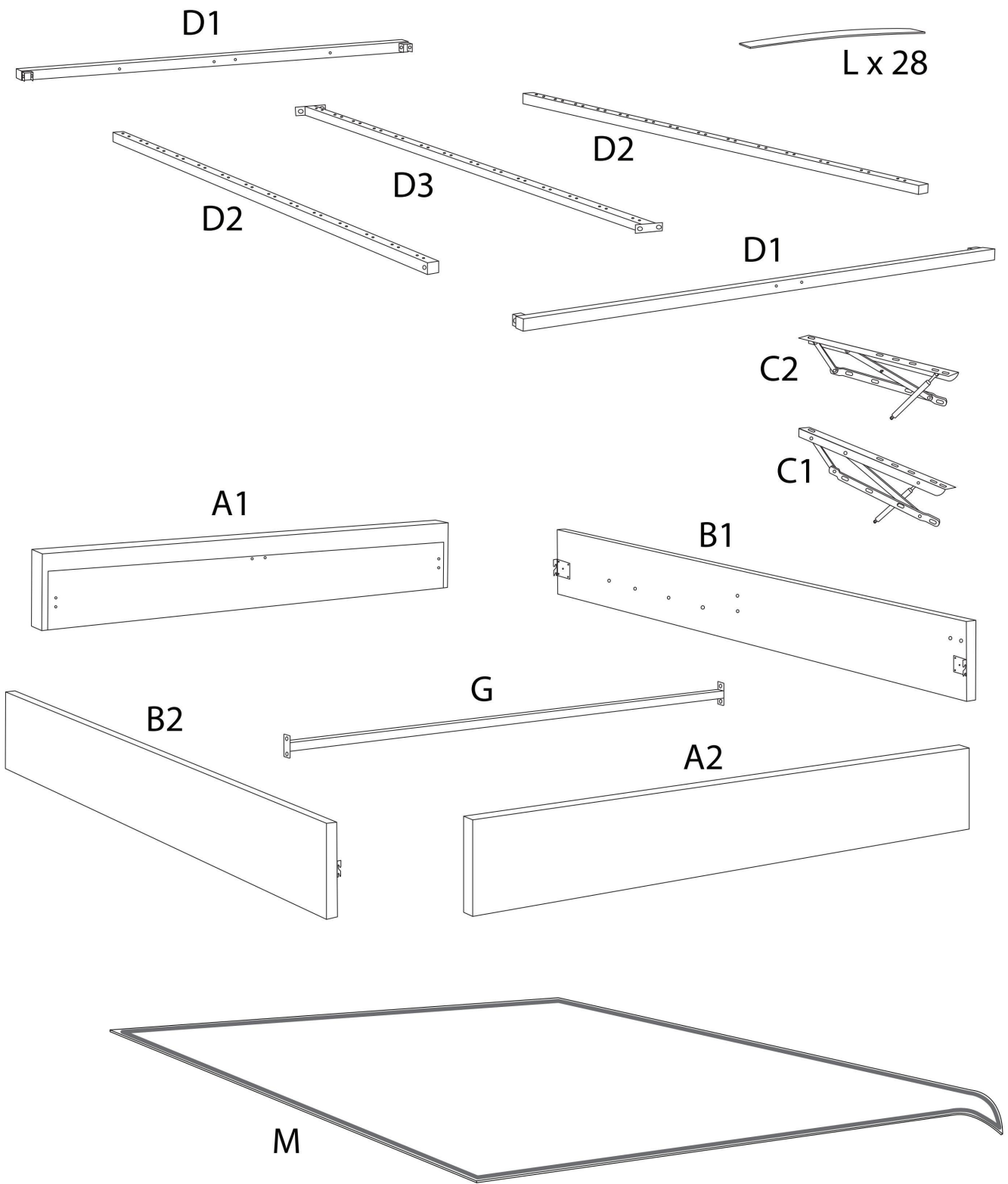


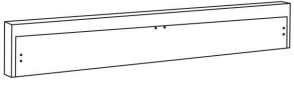
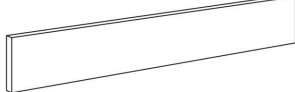
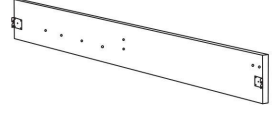
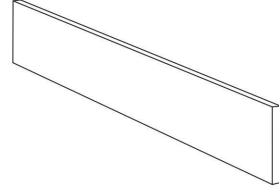
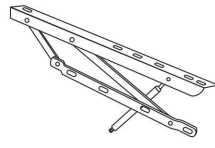
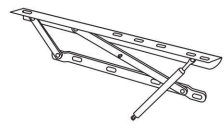

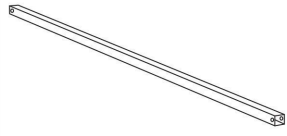
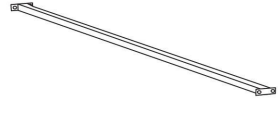
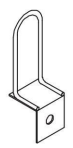


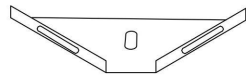
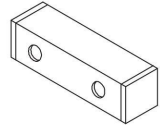
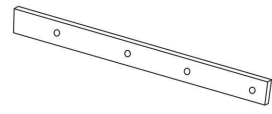

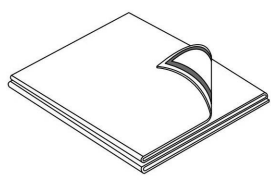
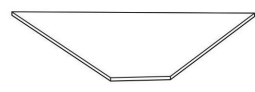
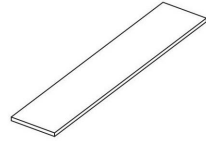


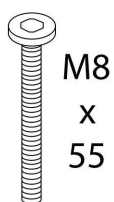
60'

2



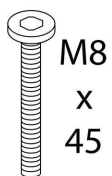
<p>A1</p>  <p>x 1</p>	<p>A2</p>  <p>x 1</p>	<p>B1</p>  <p>x 1</p>	<p>B2</p>  <p>x 1</p>
<p>C1</p>  <p>x 1</p>	<p>C2</p>  <p>x 1</p>	<p>D1</p>  <p>x 2</p>	<p>D2</p>  <p>x 2</p>
<p>D3</p>  <p>x 1</p>	<p>E</p>  <p>x 2</p>	<p>F</p>  <p>x 1</p>	<p>G</p>  <p>x 1</p>
<p>I</p>  <p>x 2</p>	<p>J</p>  <p>x 2</p>	<p>K</p>  <p>x 2</p>	<p>L</p>  <p>x 28</p>
<p>M</p>  <p>x 1</p>	<p>N</p>  <p>x 2</p>	<p>O</p>  <p>x 3</p>	

1



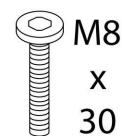
x 4

2



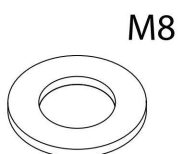
x 14

3



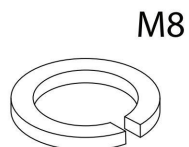
x 8

4



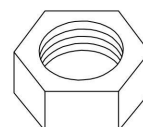
x 26

5



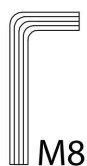
x 26

6



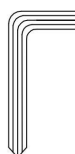
x 14

7



x 1

8



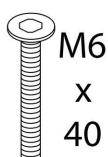
x 1

9



x 1

10



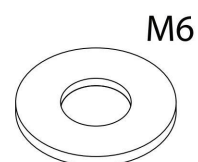
x 8

11



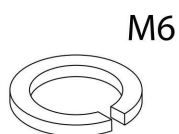
x 12

12



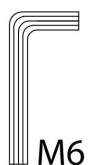
x 20

13



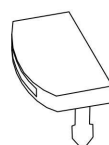
x 20

14



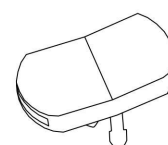
x 1

15



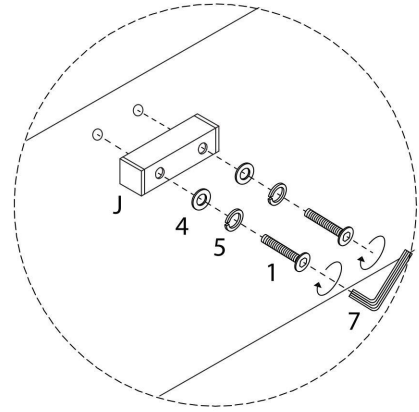
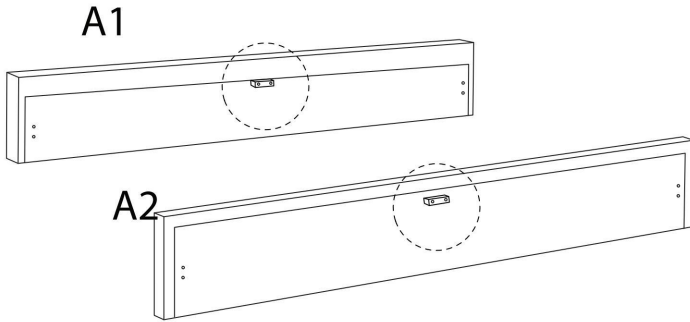
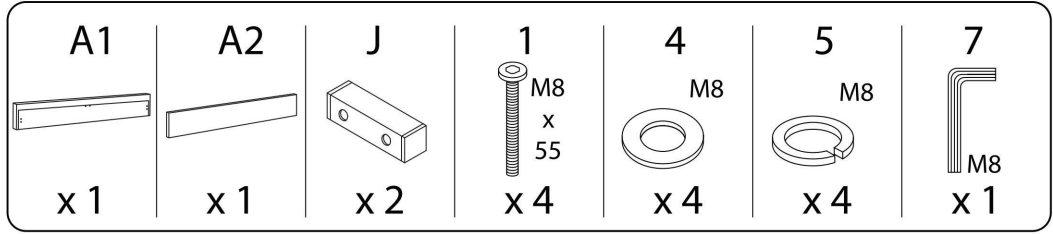
x 28

16

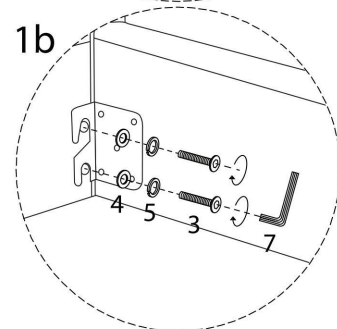
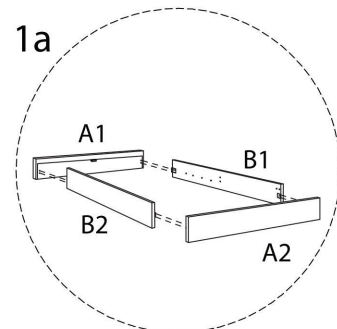
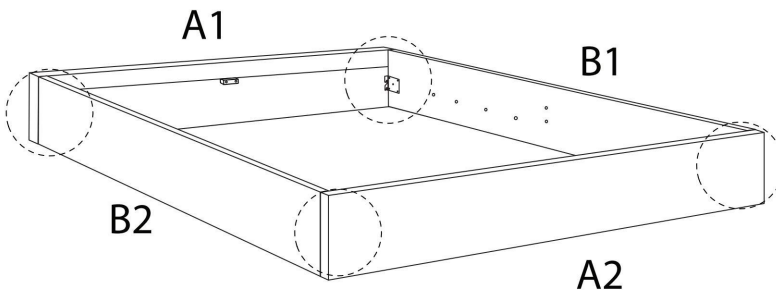
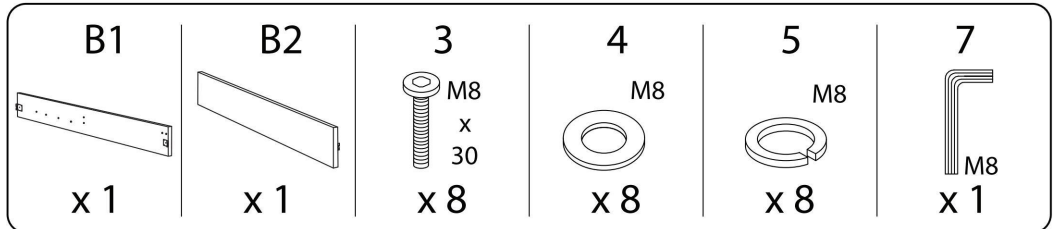


x 14

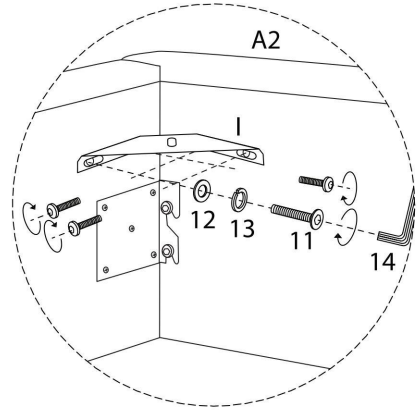
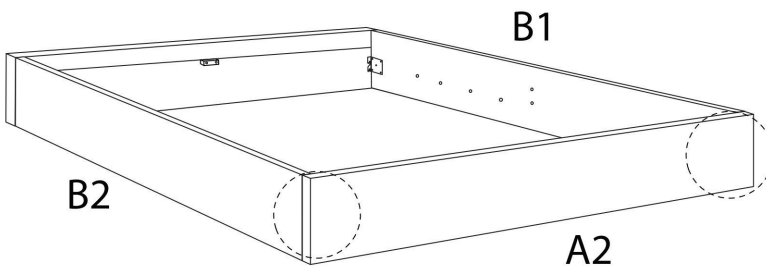
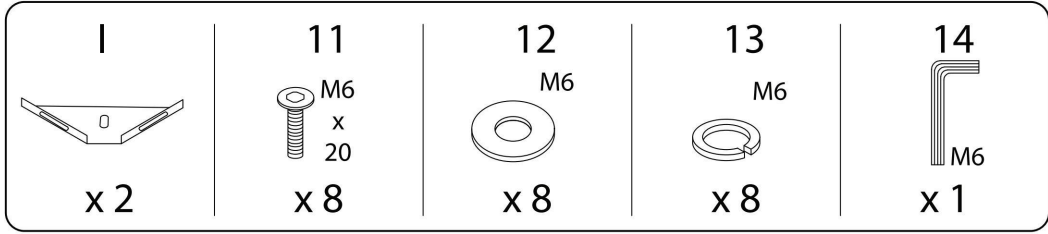
1



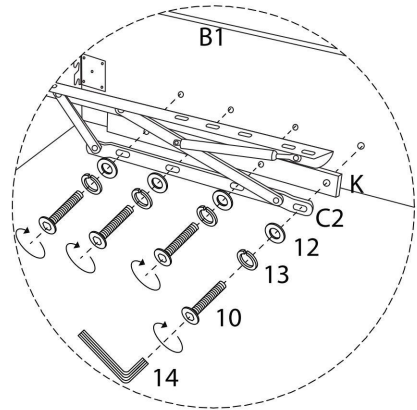
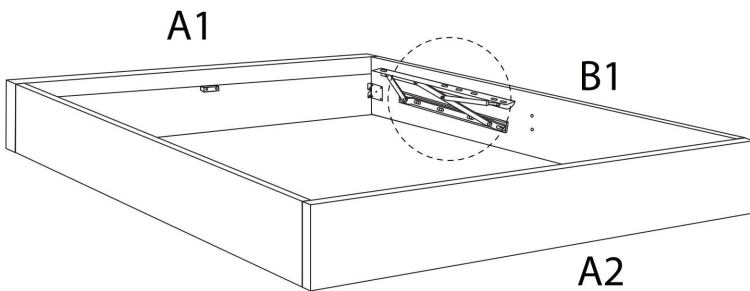
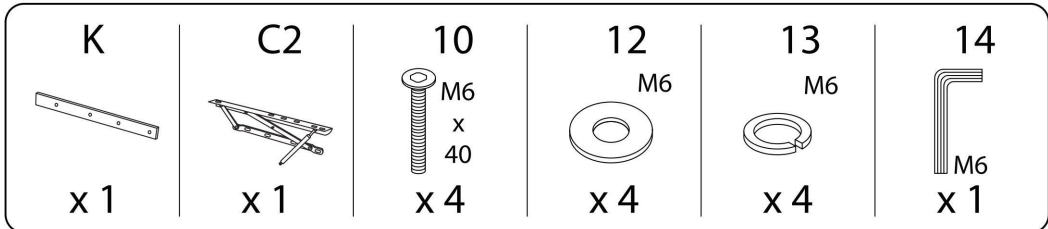
2



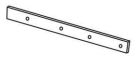

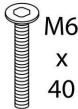



3

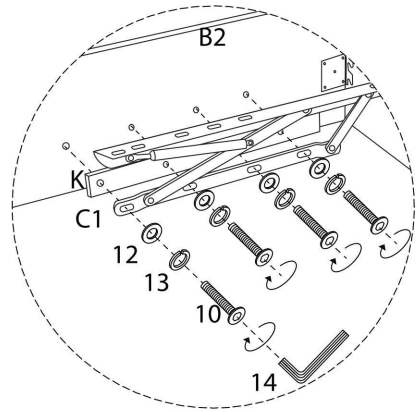
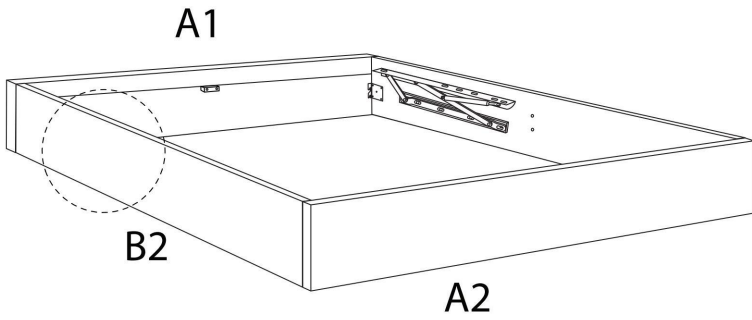


4








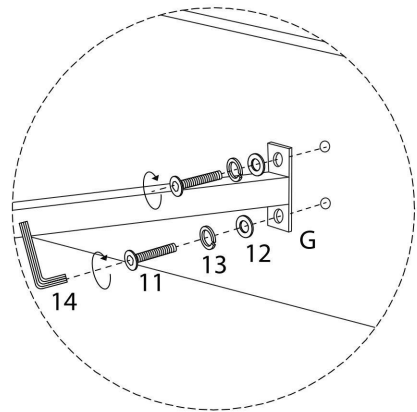
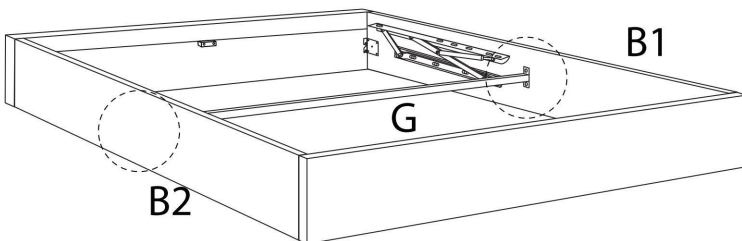
5

K	C1	10 M6 x 40	12 M6	13 M6	14 M6
					
x 1	x 1	x 4	x 4	x 4	x 1

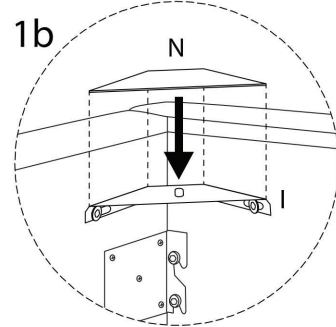
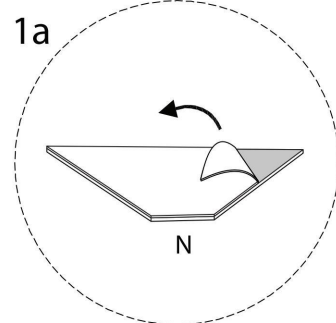
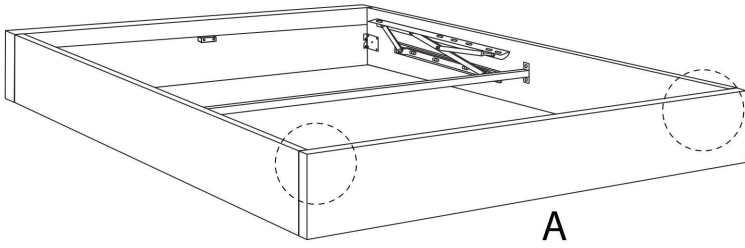
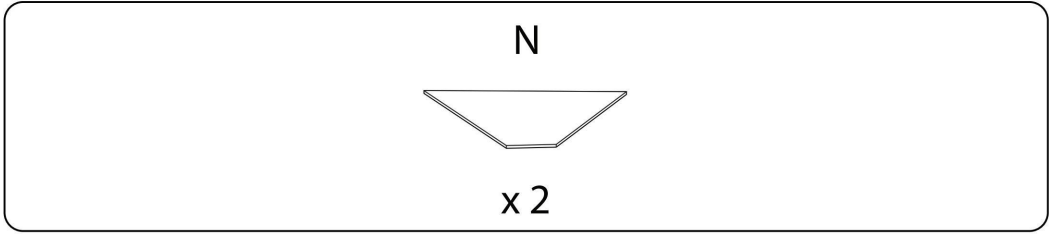


6

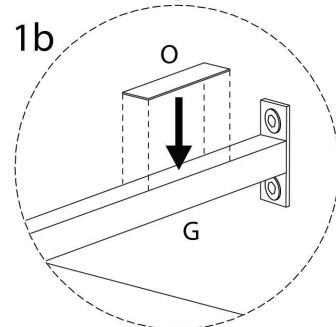
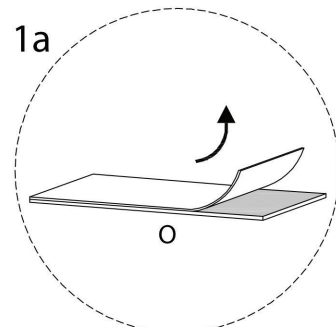
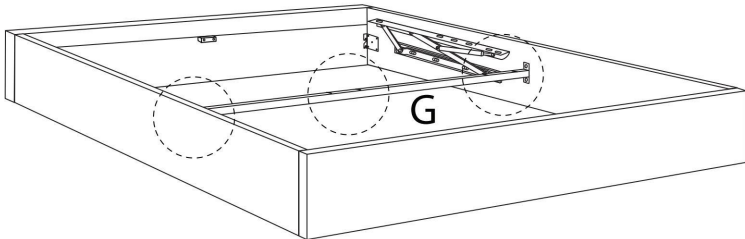
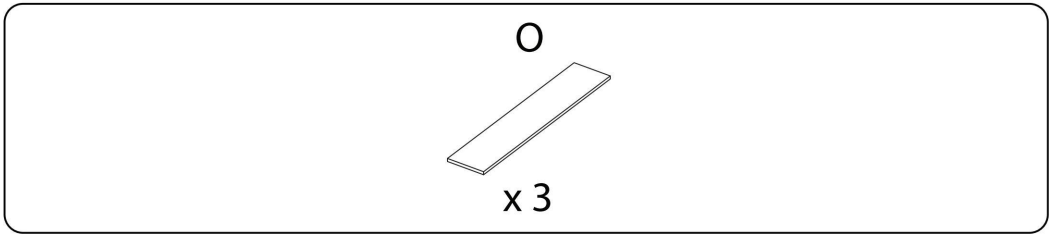
G	11 M6 x 20	12 M6	13 M6	14 M6
				
x 1	x 4	x 4	x 4	x 1




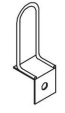
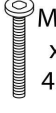
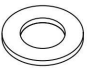

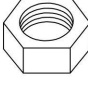

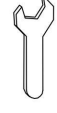
7

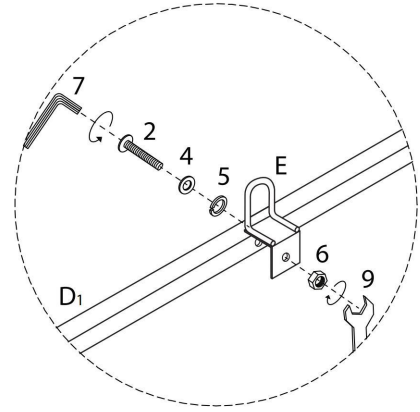
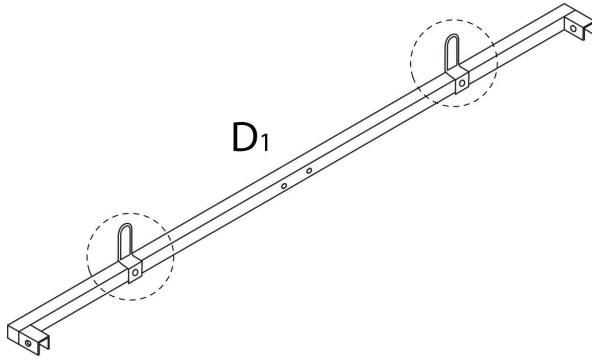


8

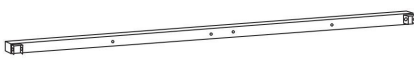



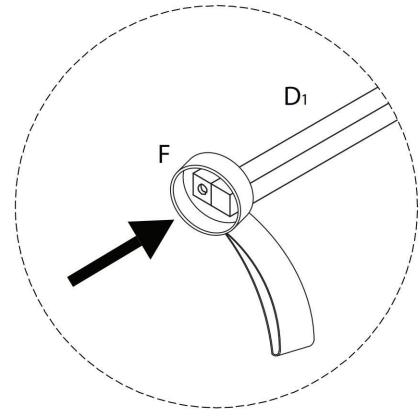
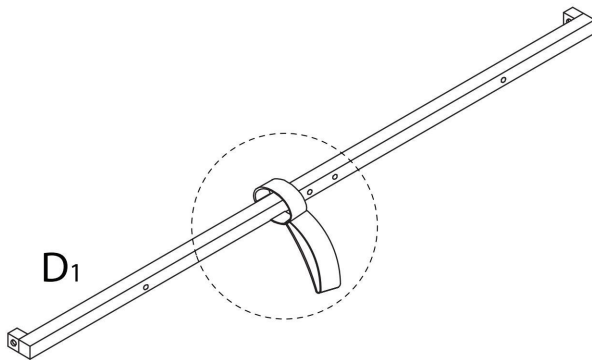
9

D ₁	E	2	4	5	6	7	9
							
x 1	x 2	x 2	x 2	x 2	x 2	x 1	x 1

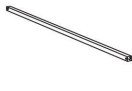
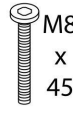

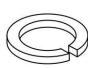





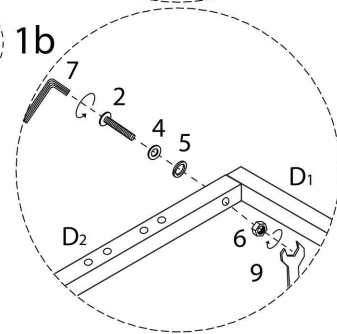
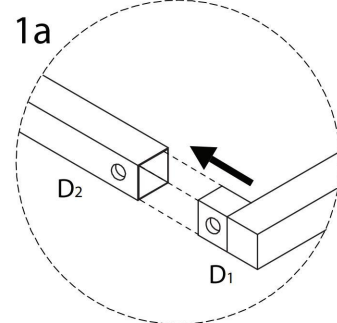
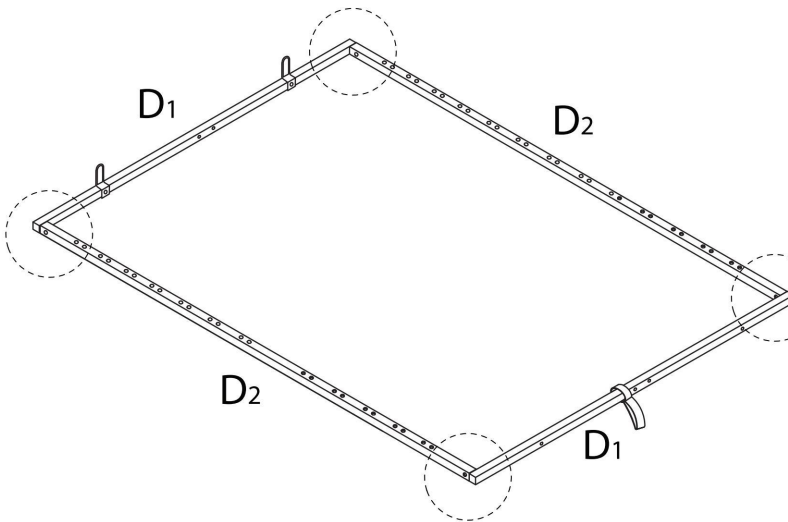
10

D ₁	F
	
x 1	x 1


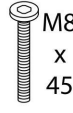
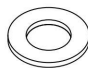
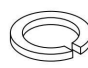





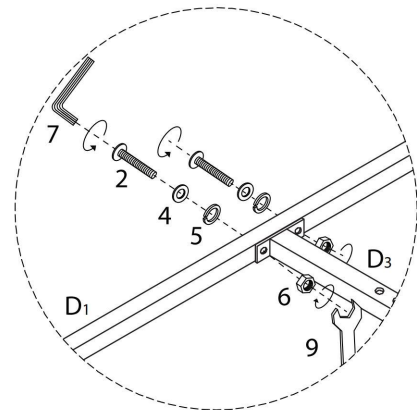
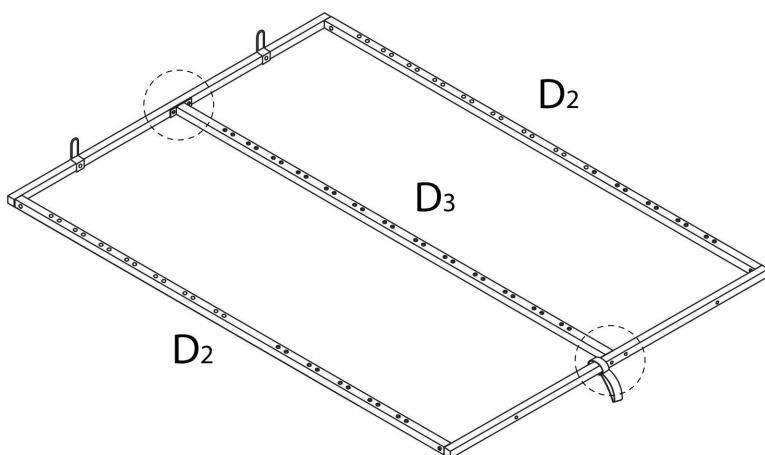
11

D ₂	2	4	5	6	7	9
						
x 2	x 4	x 4	x 4	x 4	x 1	x 1




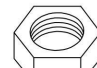
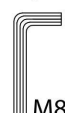



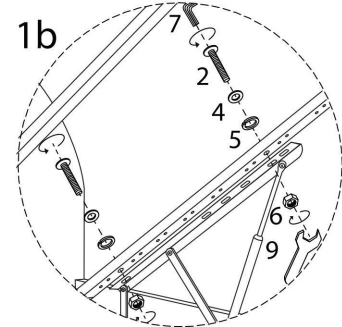
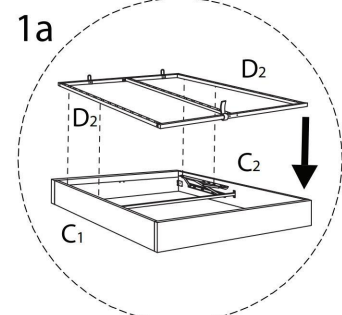
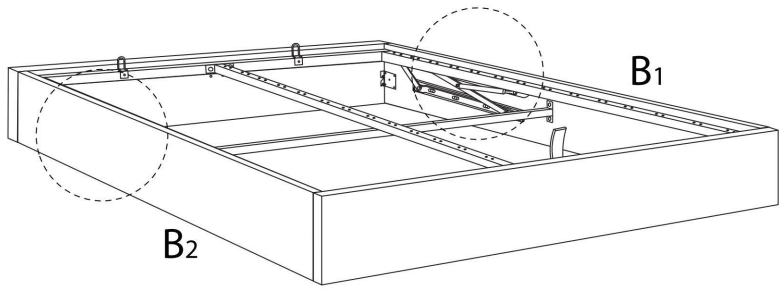
12

D ₃	2	4	5	6	7	9
						
x 1	x 4	x 4	x 4	x 4	x 1	x 1



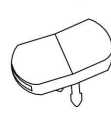


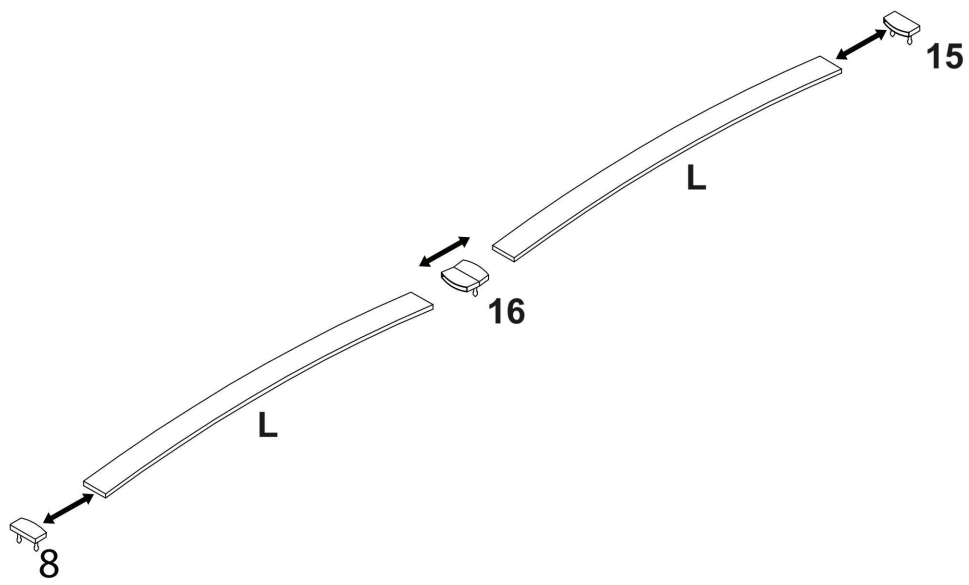
13

<p>2</p>  <p>M8 x 45 x 4</p>	<p>4</p>  <p>M8 x 4</p>	<p>5</p>  <p>M8 x 4</p>	<p>6</p>  <p>x 4</p>	<p>7</p>  <p>M8 x 1</p>	<p>9</p>  <p>x 1</p>
-----------------------------------------------------------------------------------------------------------------------	--------------------------------------------------------------------------------------------------------------	--------------------------------------------------------------------------------------------------------------	--------------------------------------------------------------------------------------------------------	----------------------------------------------------------------------------------------------------------------	---------------------------------------------------------------------------------------------------------

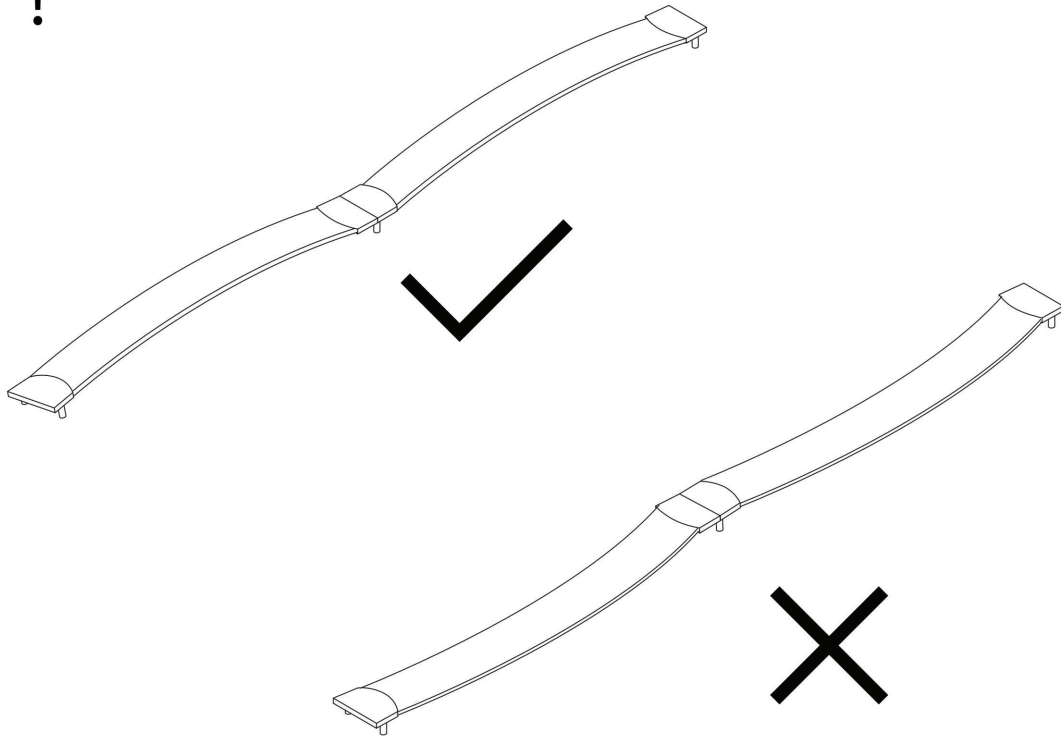


14 x 14

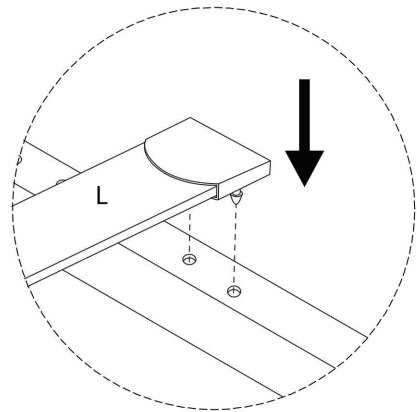
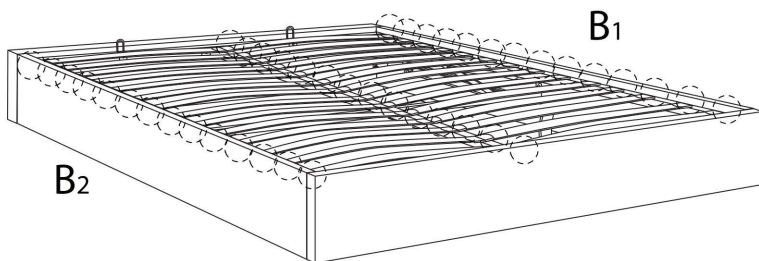
<p>L</p>  <p>x 2</p>	<p>15</p>  <p>x 2</p>	<p>16</p>  <p>x 1</p>
---------------------------------------------------------------------------------------------------------	----------------------------------------------------------------------------------------------------------	------------------------------------------------------------------------------------------------------------



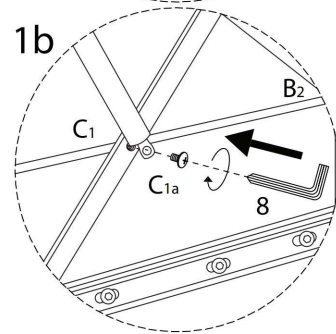
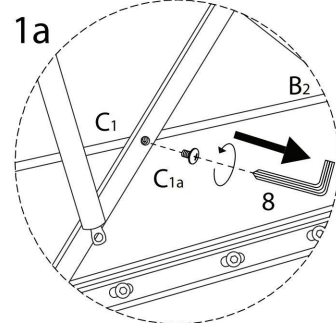
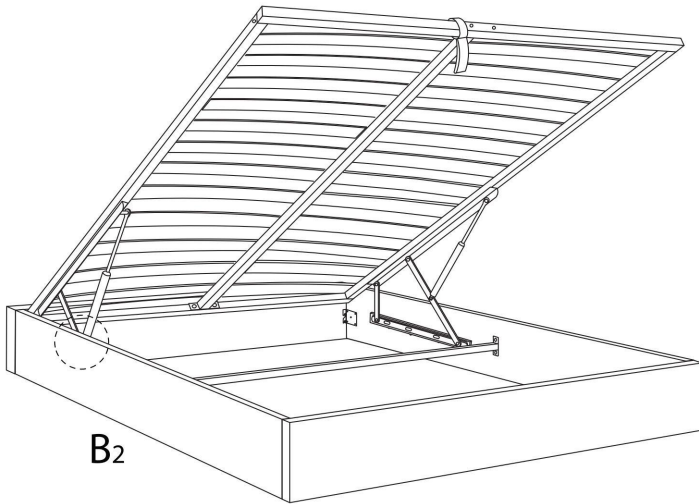
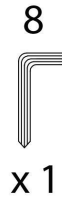
!



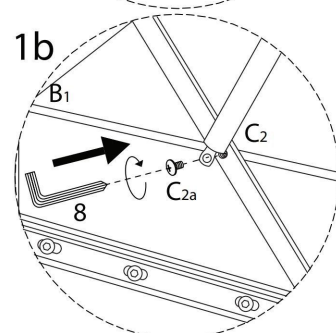
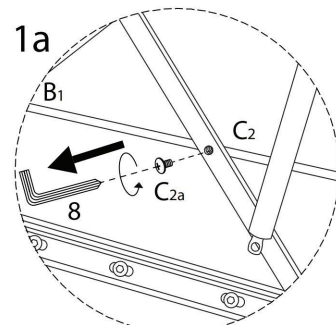
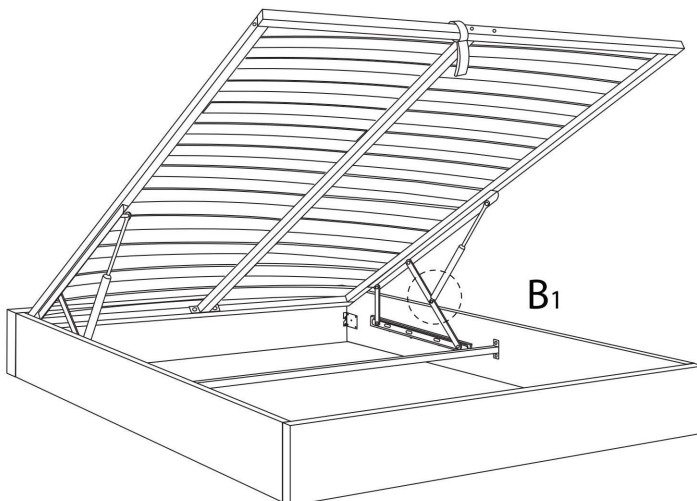
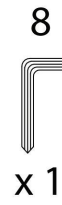
15



16



17



18

