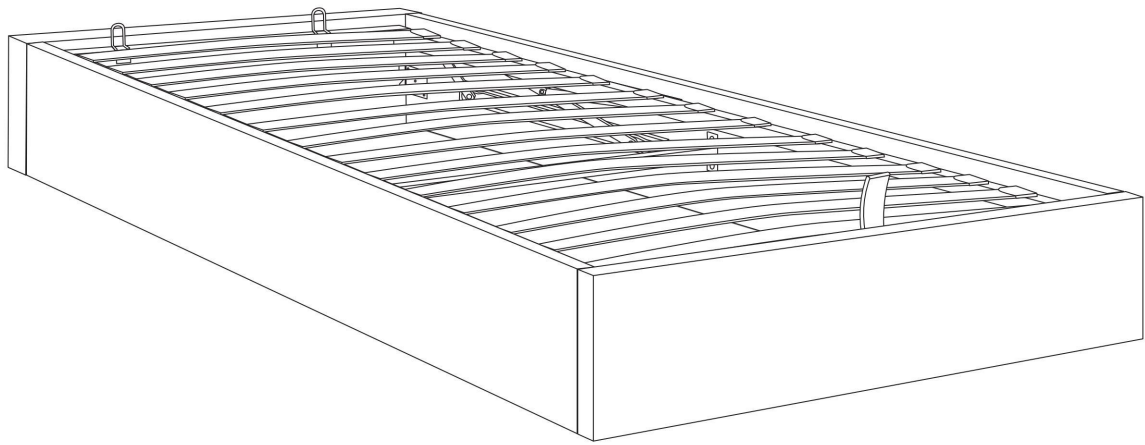
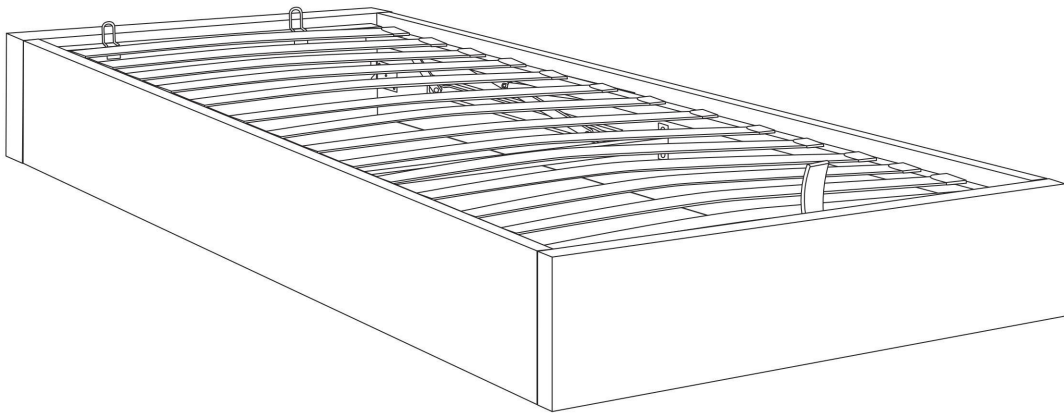
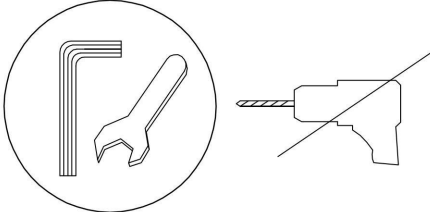

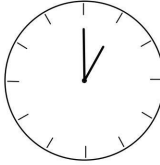
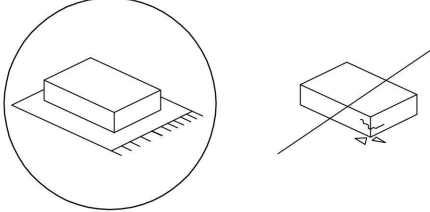


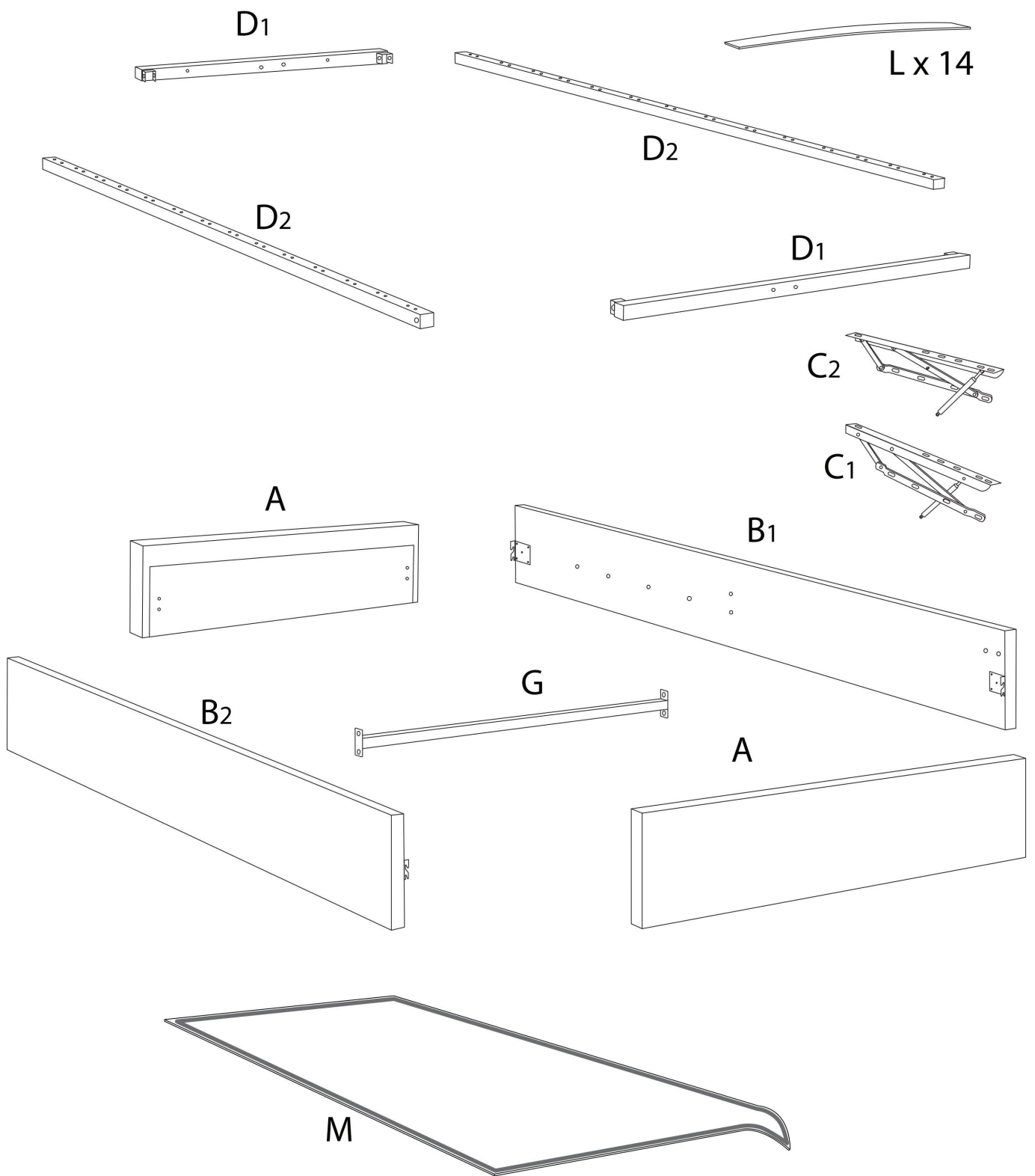


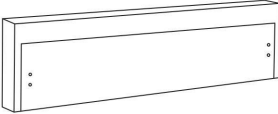
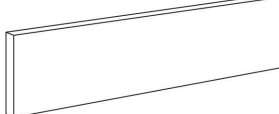
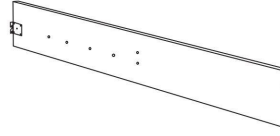
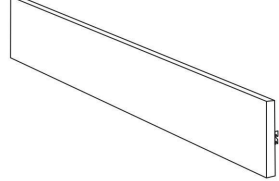
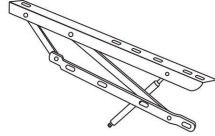
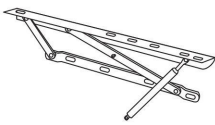
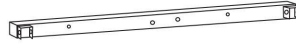
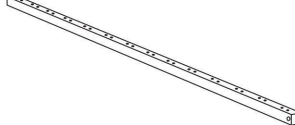



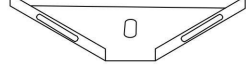
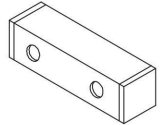
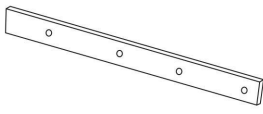

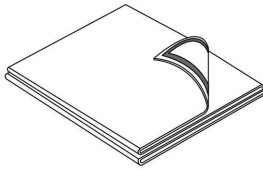
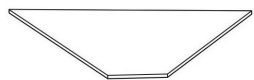
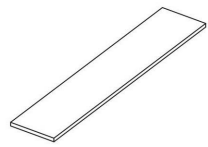
DINAN



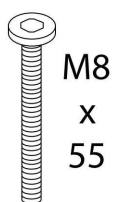


| | | |
|---|---|---|
|  |  |  |
|  |  |  |
| | | 60' |
| | | 2 |



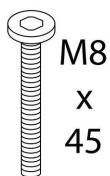
| | | | |
|---|---|---|---|
| <p>A1</p>  <p>x 1</p> | <p>A2</p>  <p>x 1</p> | <p>B1</p>  <p>x 1</p> | <p>B2</p>  <p>x 1</p> |
| <p>C1</p>  <p>x 1</p> | <p>C2</p>  <p>x 1</p> | <p>D1</p>  <p>x 2</p> | <p>D2</p>  <p>x 2</p> |
| <p>E</p>  <p>x 2</p> | <p>F</p>  <p>x 1</p> | <p>G</p>  <p>x 1</p> | <p>I</p>  <p>x 2</p> |
| <p>J</p>  <p>x 2</p> | <p>K</p>  <p>x 2</p> | <p>L</p>  <p>x 14</p> | <p>M</p>  <p>x 1</p> |
| <p>N</p>  <p>x 2</p> | | <p>O</p>  <p>x 2</p> | |

1



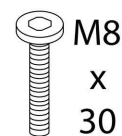
x 4

2



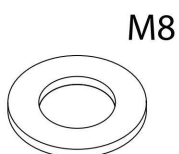
x 10

3



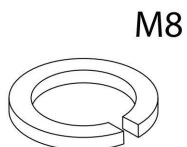
x 8

4



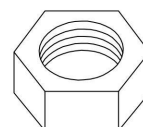
x 22

5



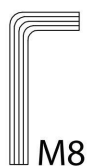
x 22

6



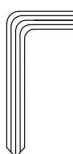
x 10

7



x 1

8



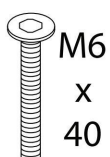
x 1

9



x 1

10



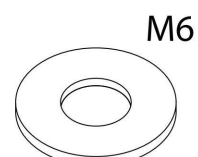
x 8

11



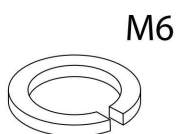
x 12

12



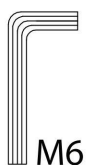
x 20

13



x 20

14



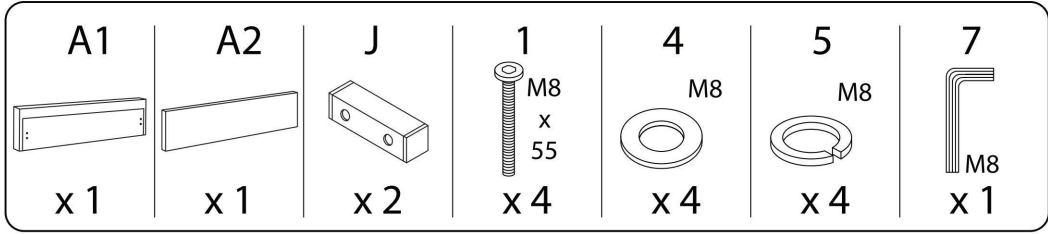
x 1

15

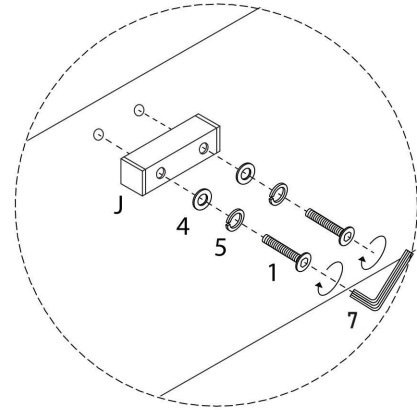
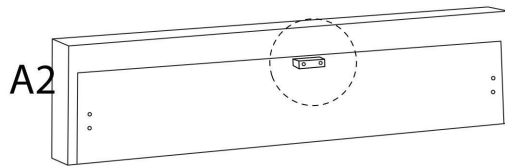
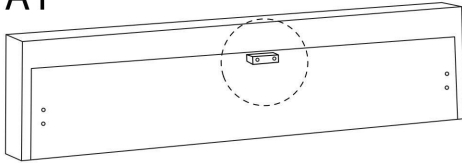


x 28

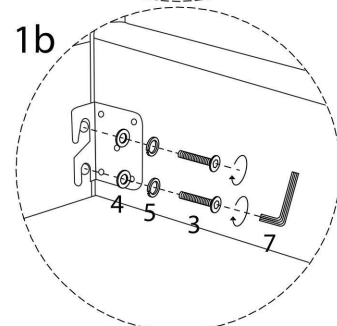
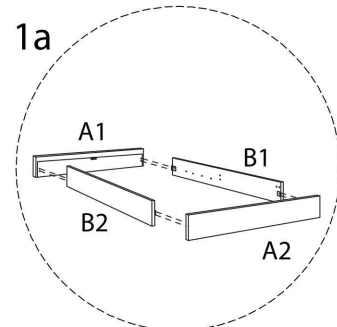
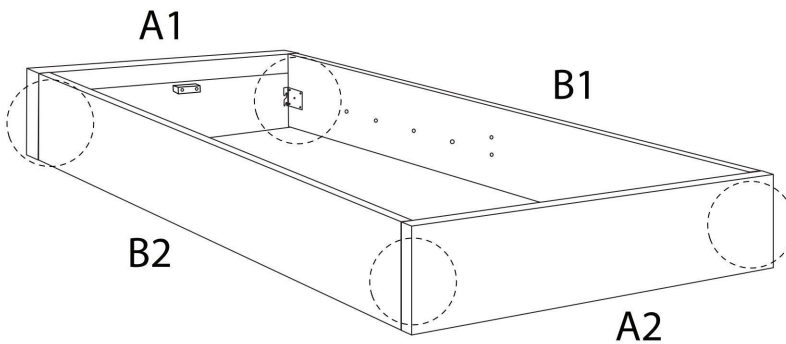
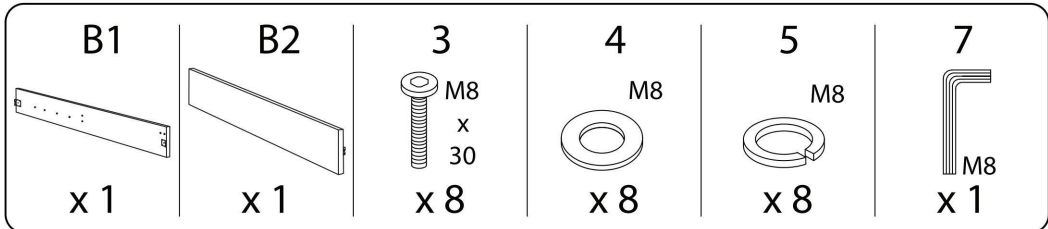
1



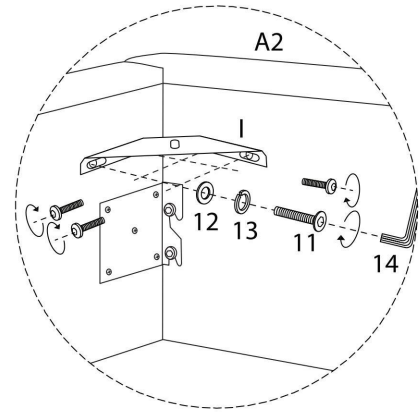
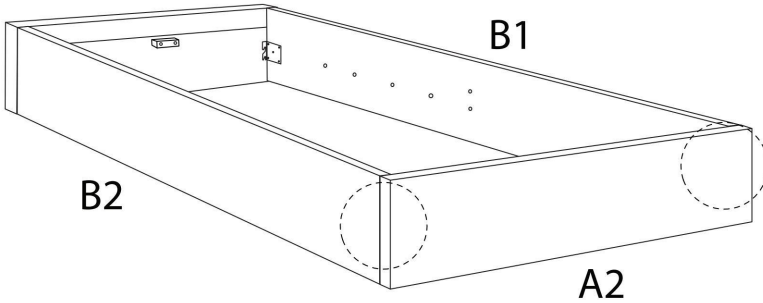
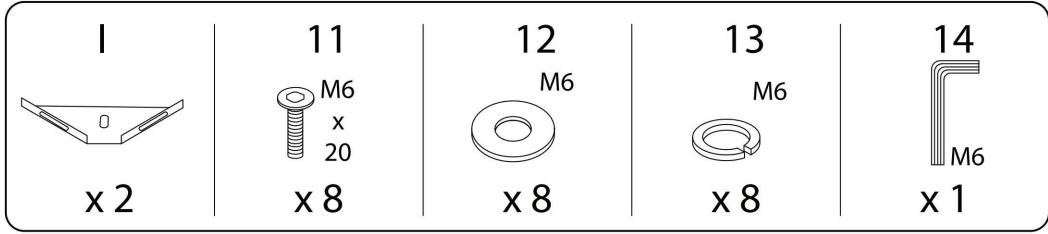
A1



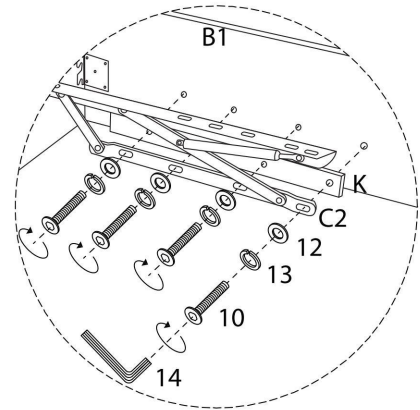
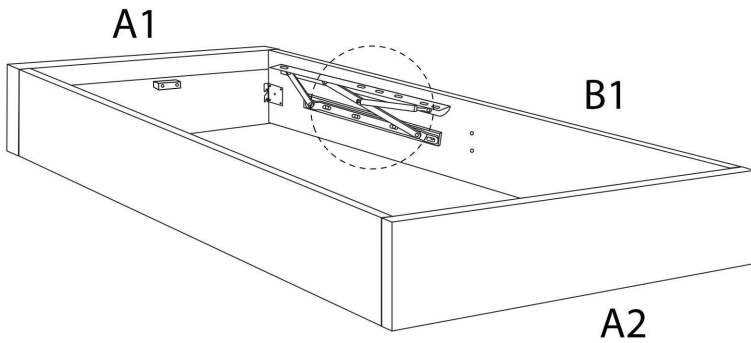
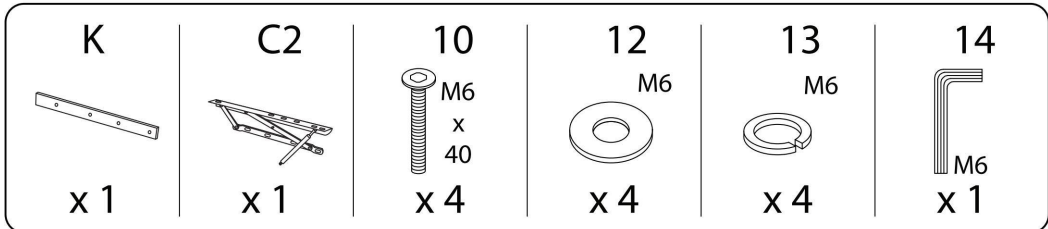
2



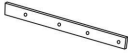

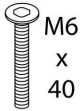


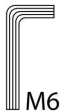
3

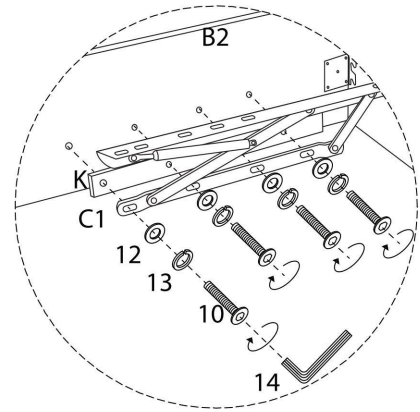
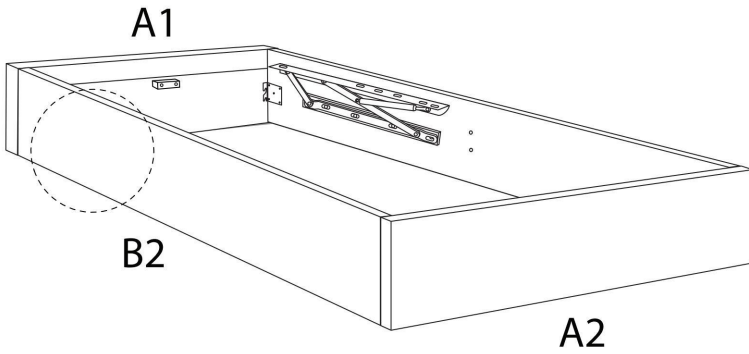


4








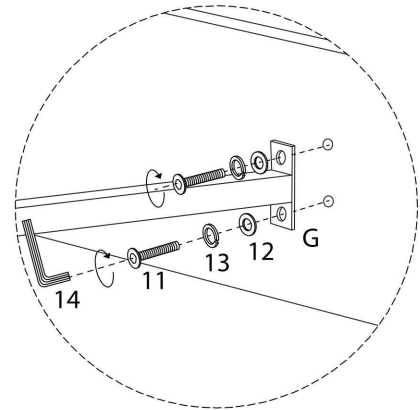
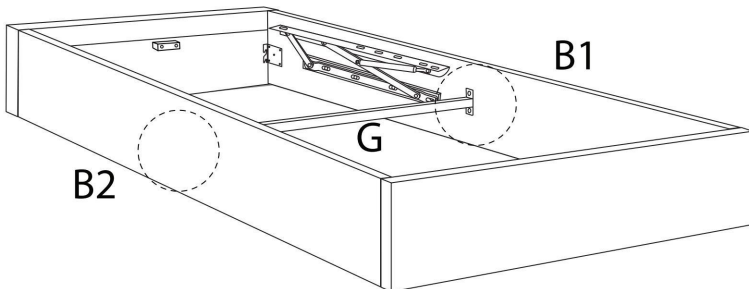
5

| | | | | | |
|---|---|---|--|---|---|
| K | C1 | 10 | 12 | 13 | 14 |
|  |  |  |  |  |  |
| x 1 | x 1 | M6 x 40 x 4 | M6 x 4 | M6 x 4 | M6 x 1 |

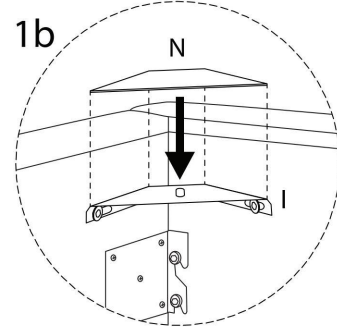
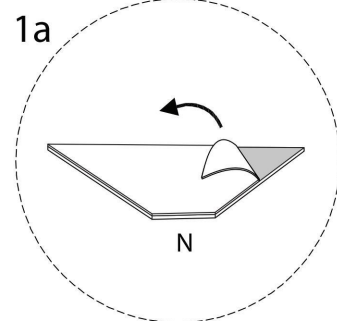
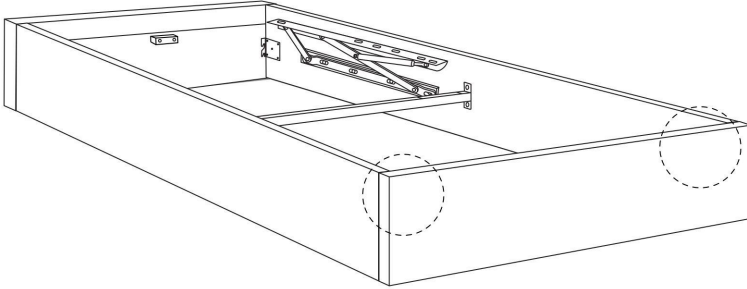
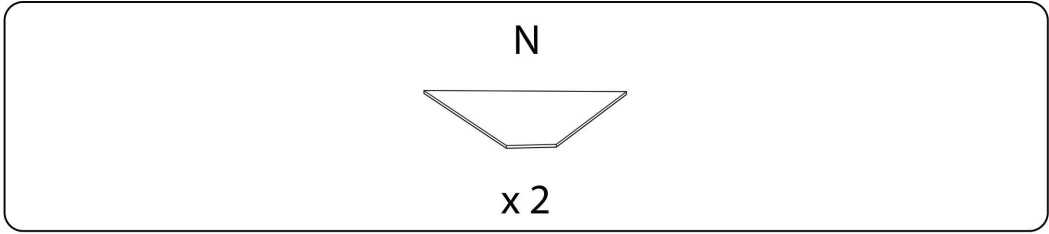


6

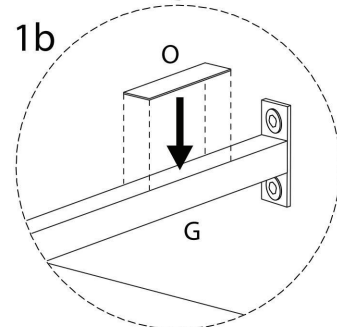
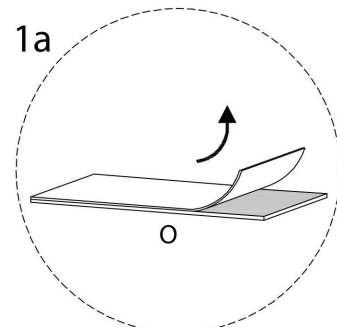
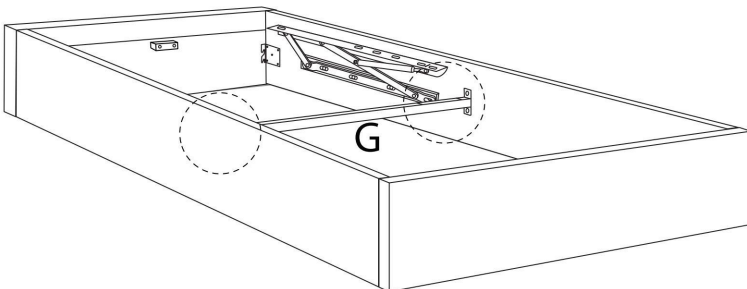
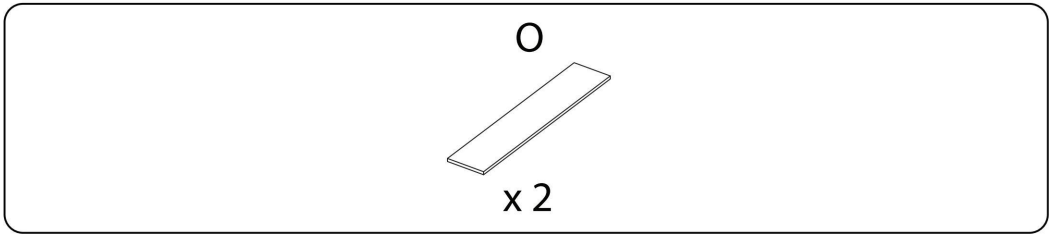
| | | | | |
|---|---|---|---|---|
| G | 11 | 12 | 13 | 14 |
|  |  |  |  |  |
| x 1 | M6 x 20 x 4 | M6 x 4 | M6 x 4 | M6 x 1 |




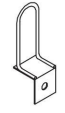
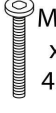
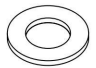

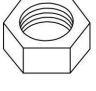

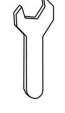
7

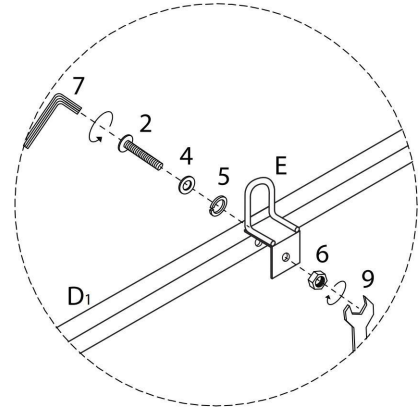
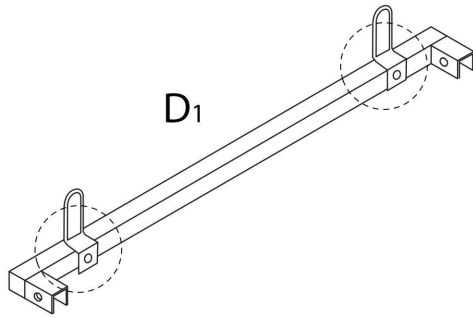


8

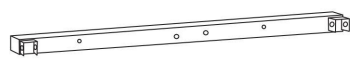



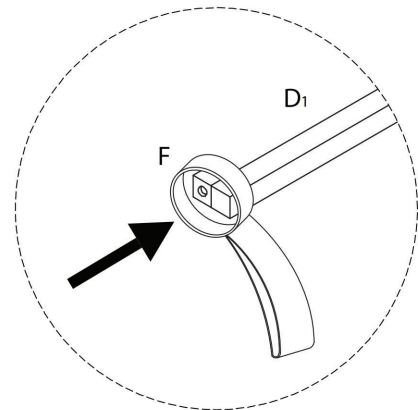
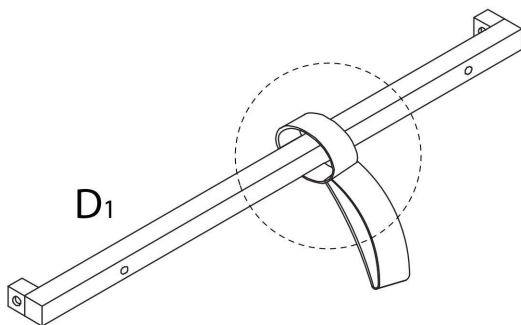
9

| | | | | | | | |
|---|---|---|---|---|---|---|---|
| D ₁ | E | 2 | 4 | 5 | 6 | 7 | 9 |
|  |  |  |  |  |  |  |  |
| x 1 | x 2 | x 2 | x 2 | x 2 | x 2 | x 1 | x 1 |



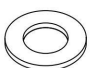
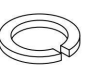
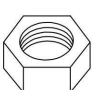




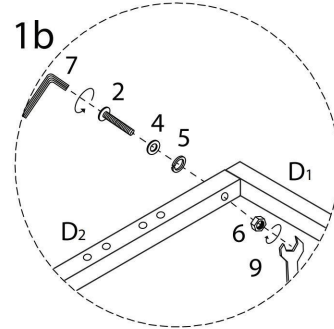
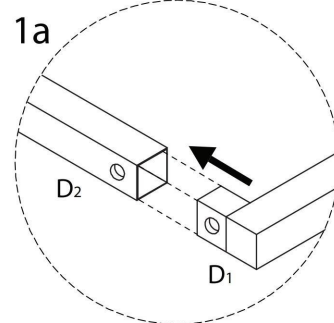
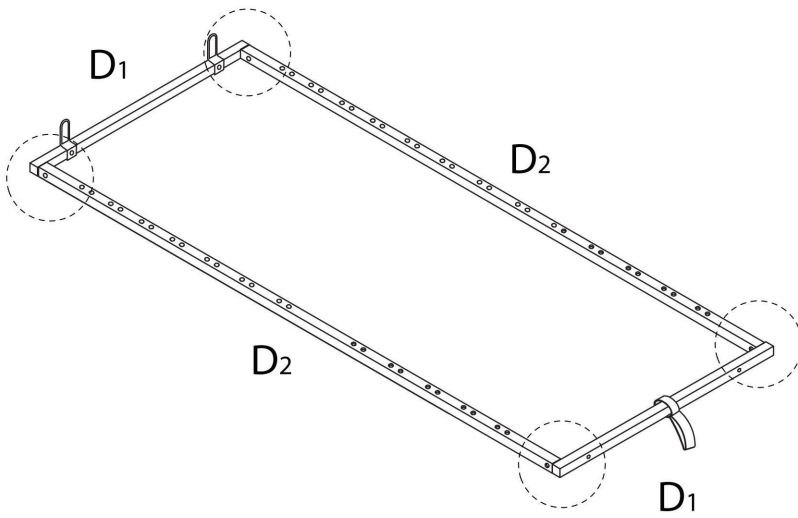
10

| | |
|---|---|
| D ₁ | F |
|  |  |
| x 1 | x 1 |

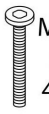
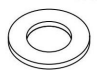
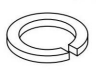
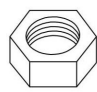
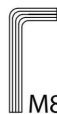



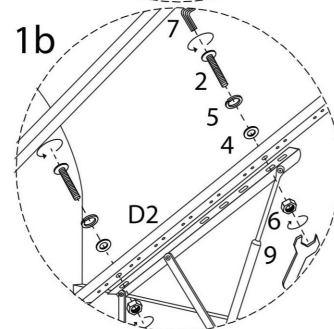
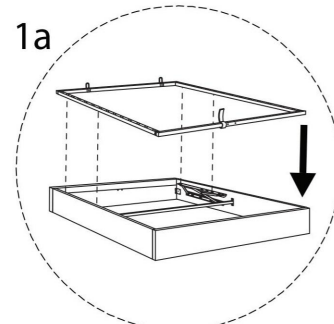
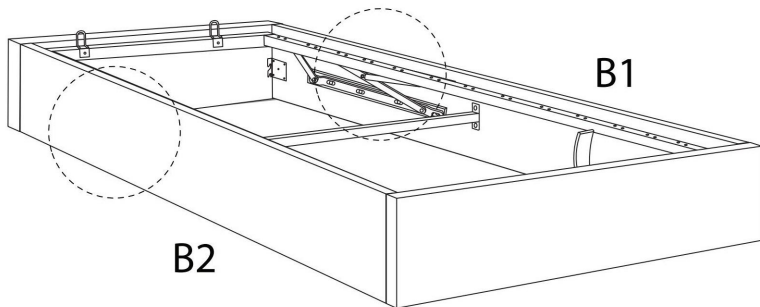
11

| | | | | | | |
|--|---|---|---|--|---|---|
| D2  x 2 | 2 M8 x 45  x 4 | 4 M8  x 4 | 5 M8  x 4 | 6  x 4 | 7 M8  x 1 | 9  x 1 |
|--|---|---|---|--|---|---|

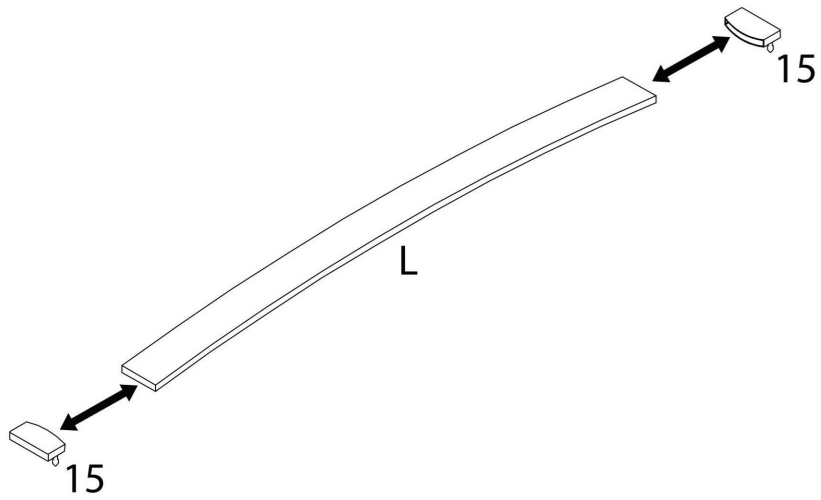
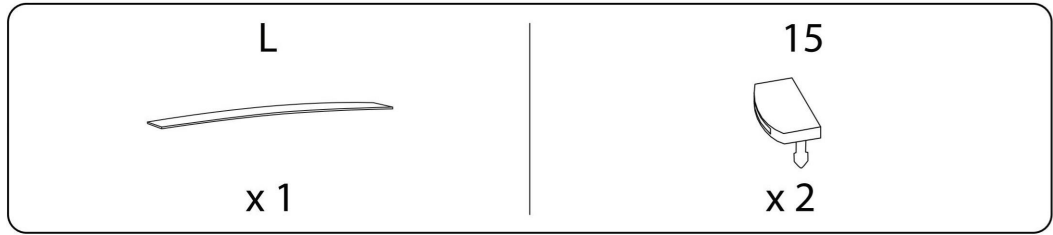


12

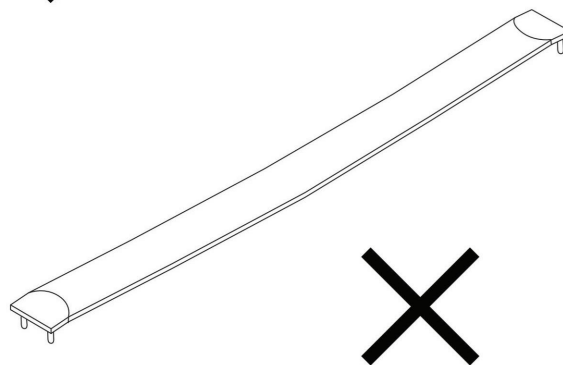
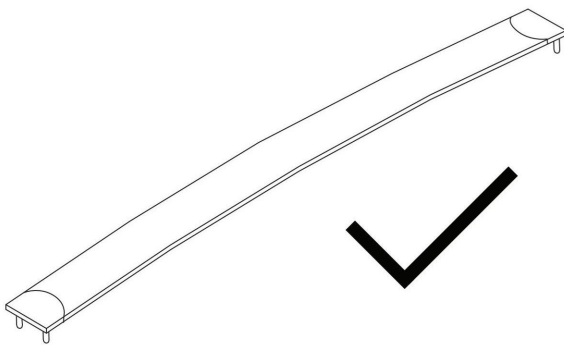
| | | | | | |
|---|---|---|--|---|---|
| 2 M8 x 45  x 4 | 4 M8  x 4 | 5 M8  x 4 | 6  x 4 | 7 M8  x 1 | 9  x 1 |
|---|---|---|--|---|---|



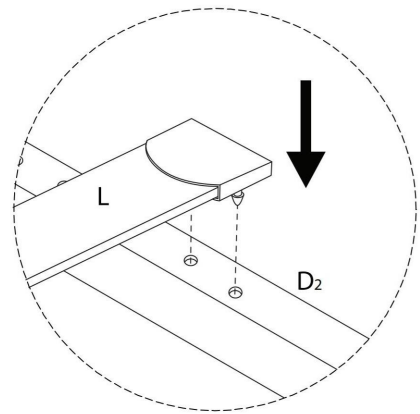
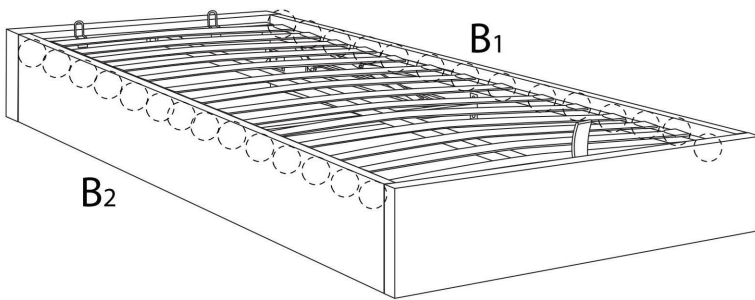
13



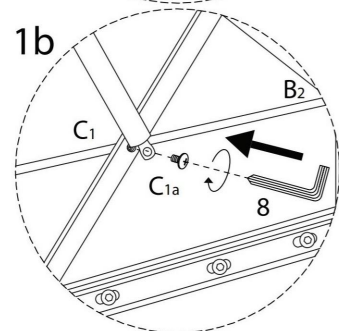
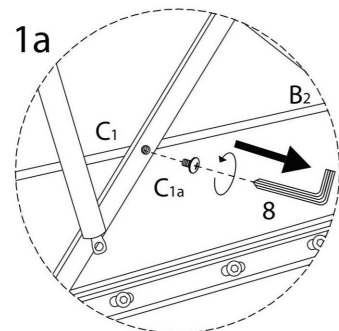
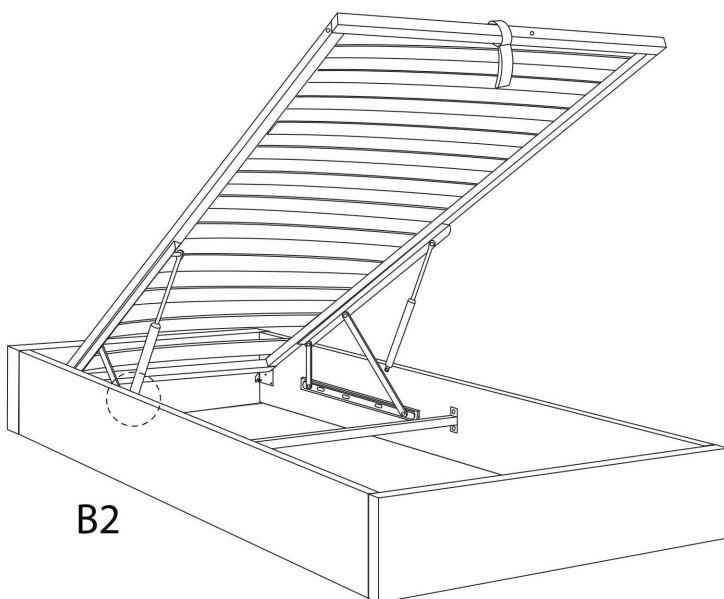
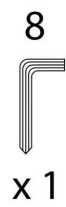
!



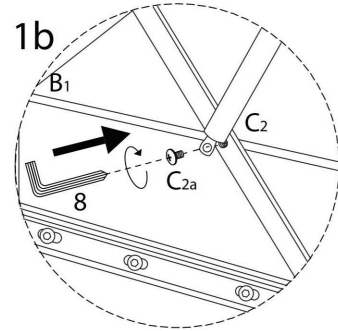
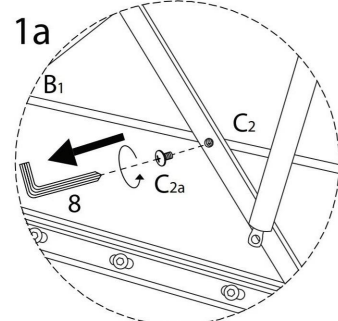
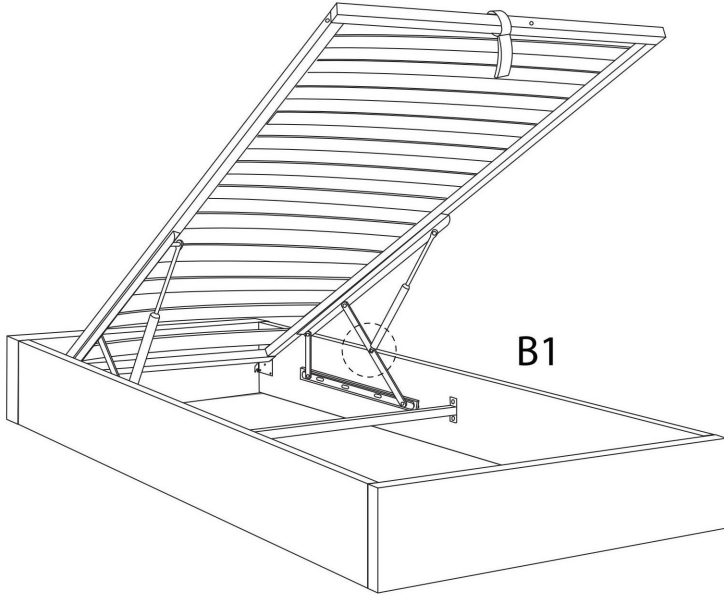
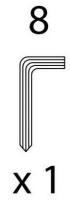
14



15



16



17

