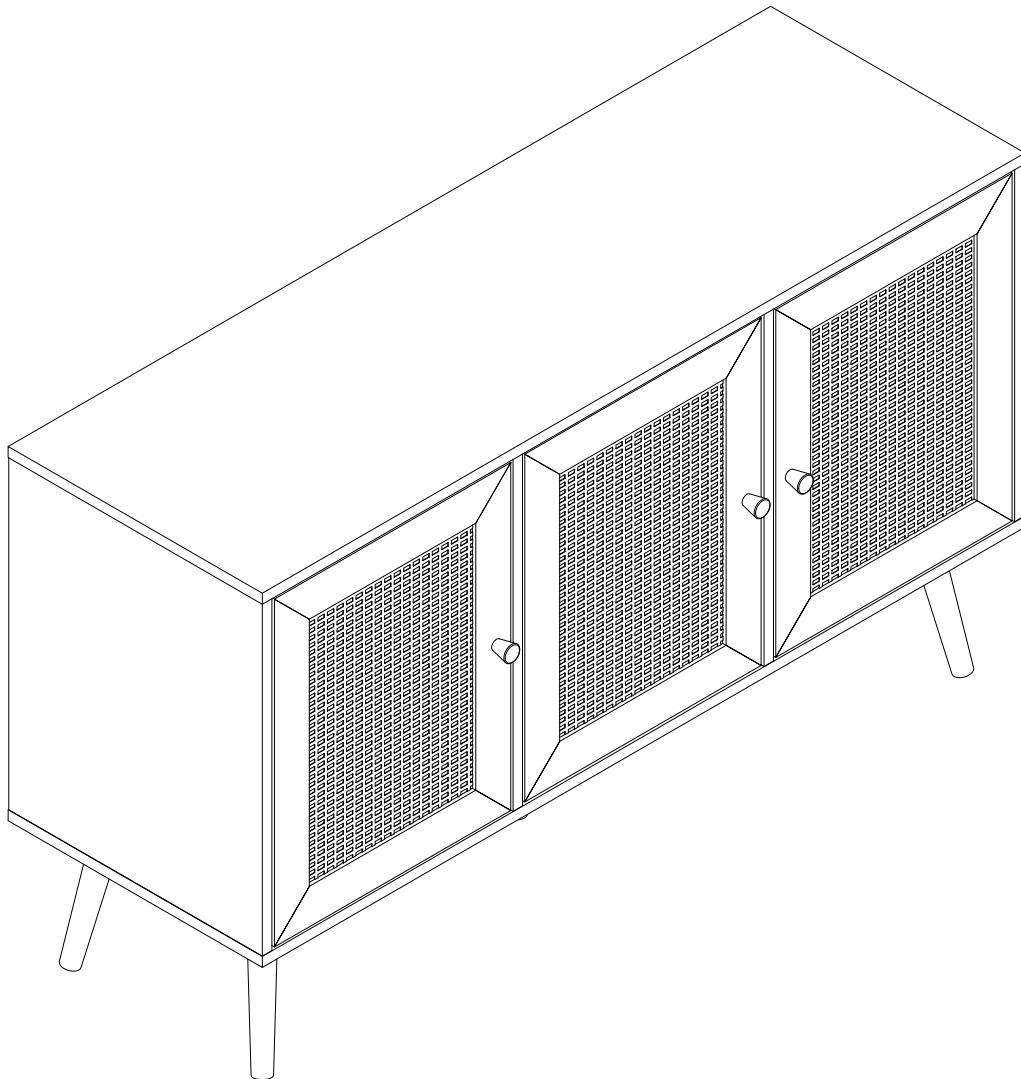
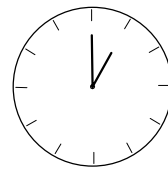
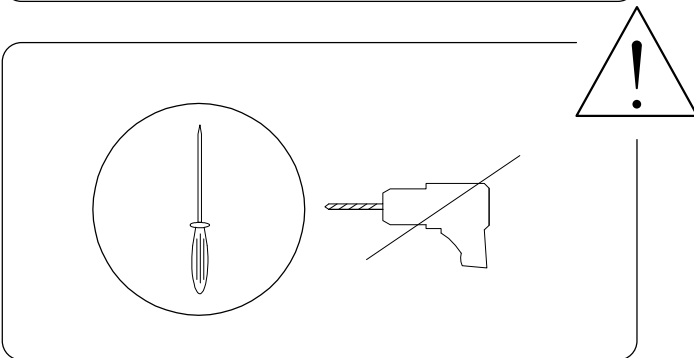
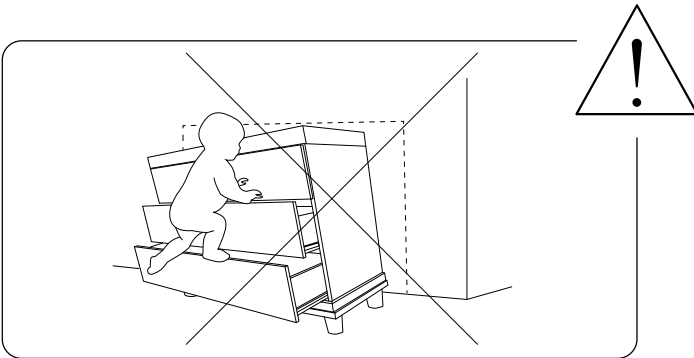
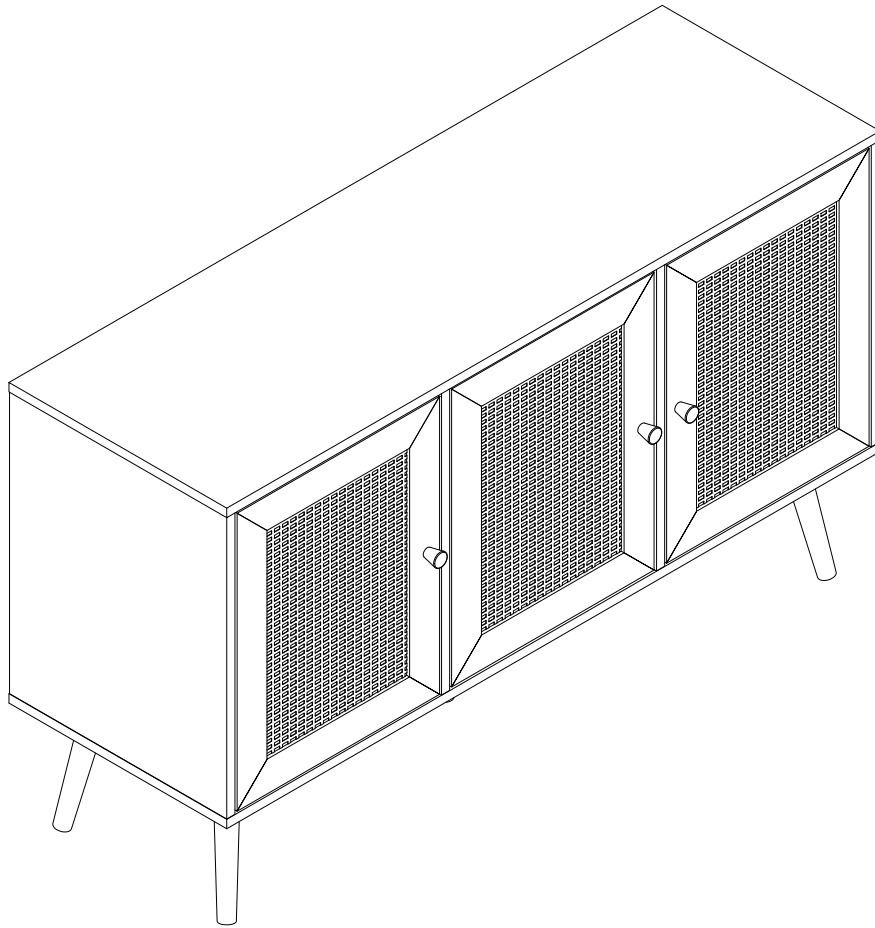
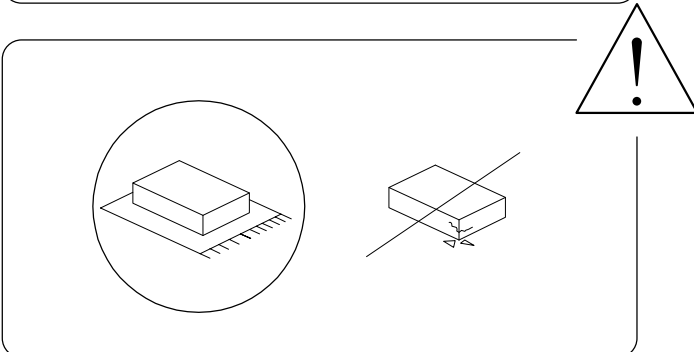


# PEROTE

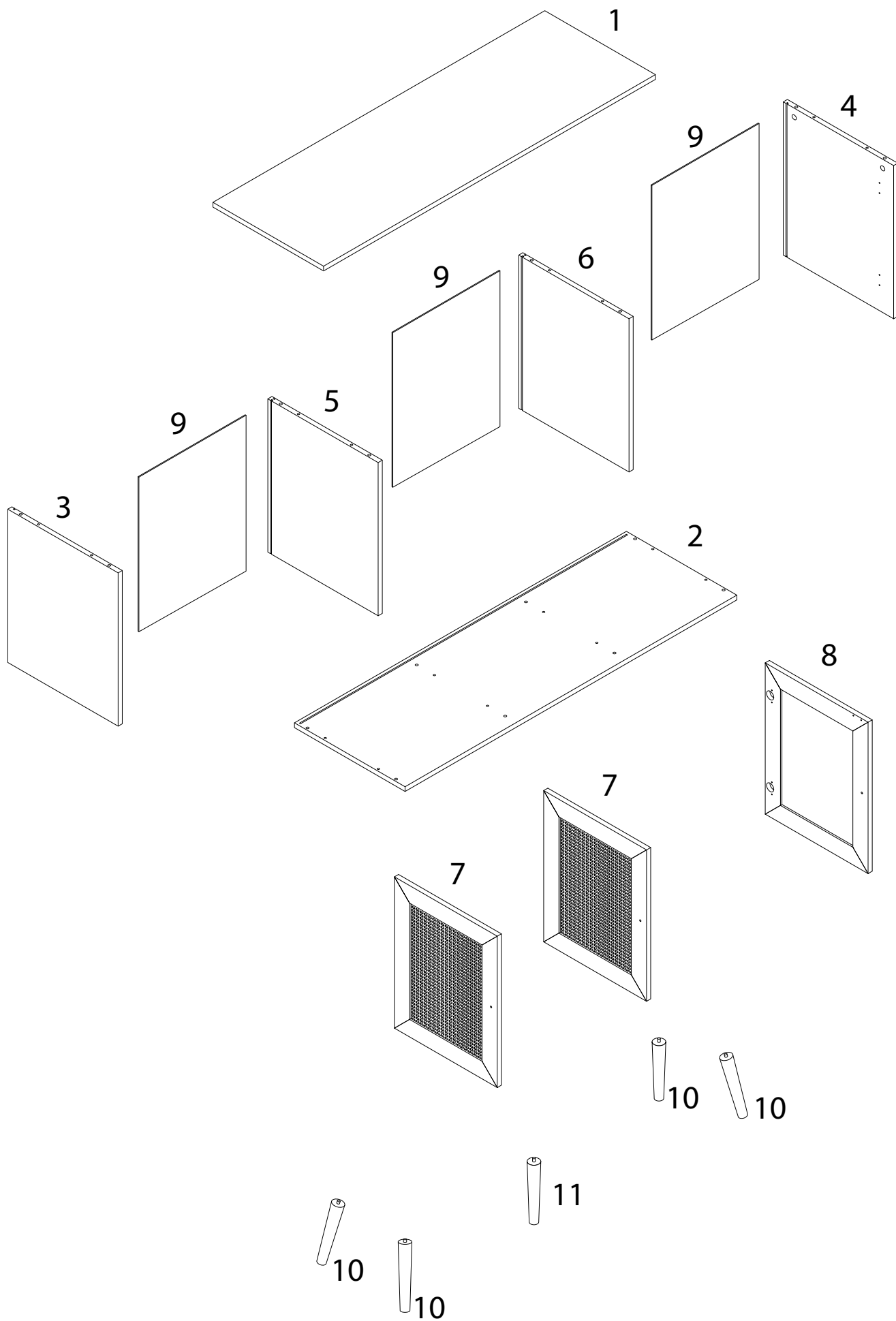


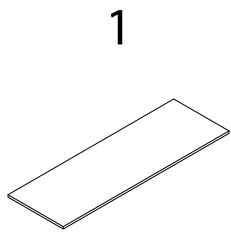


60'

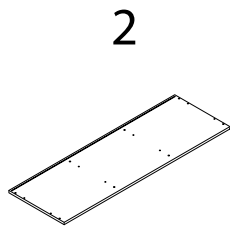


2

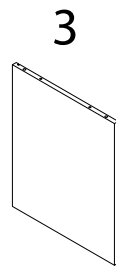




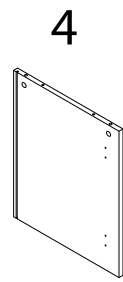
x 1



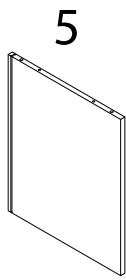
x 1



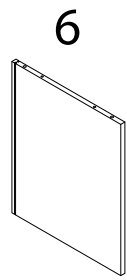
x 1



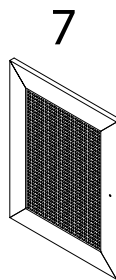
x 1



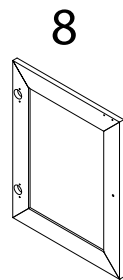
x 1



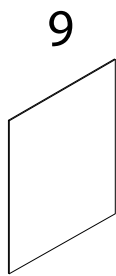
x 1



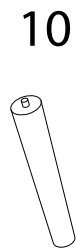
x 2



x 1



x 3

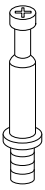


x 4



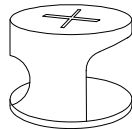
x 1

A



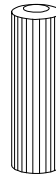
x 8

B



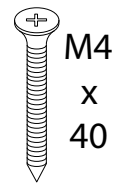
x 8

C



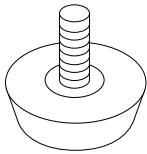
x 16

D



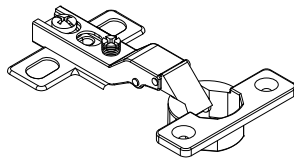
x 10

E



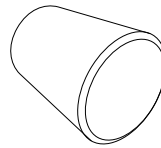
x 1

F



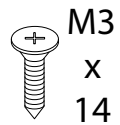
x 6

G



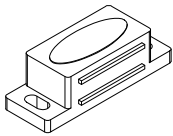
x 3

H



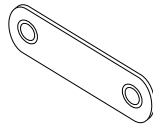
x 48

I



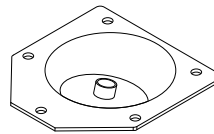
x 3

J



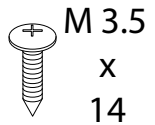
x 3

K



x 4

L



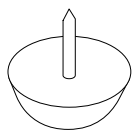
x 22

M



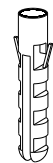
x 3

N



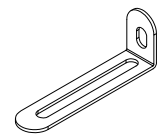
x 4

O



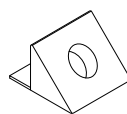
x 2

P



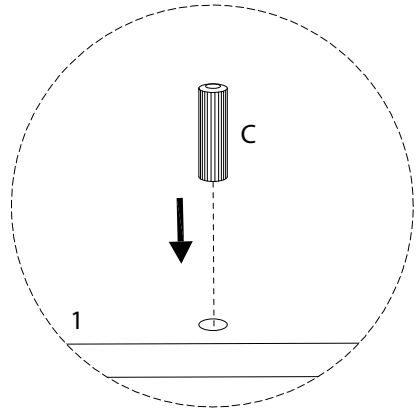
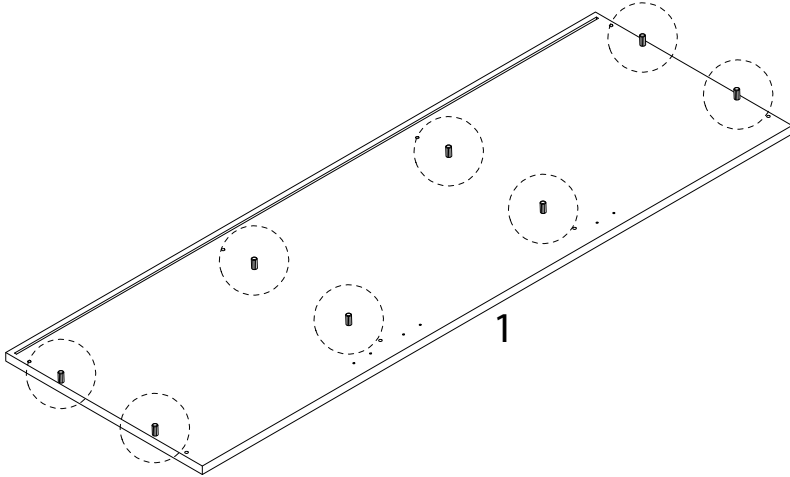
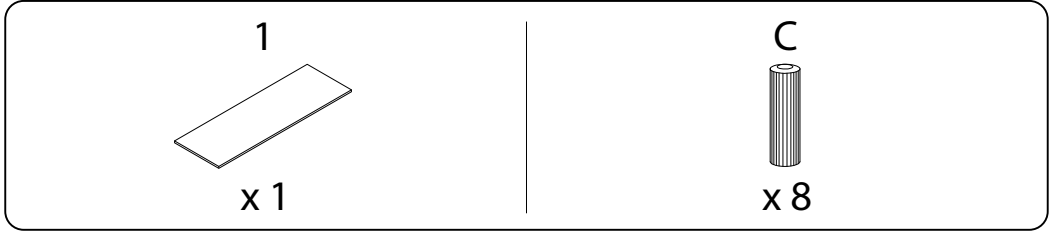
x 2

Q

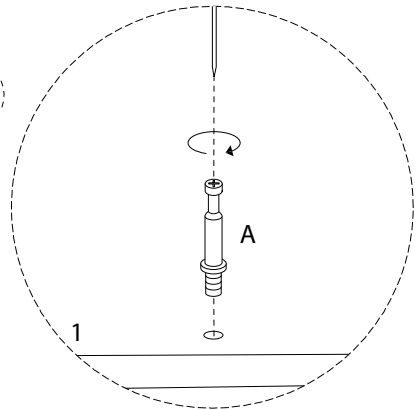
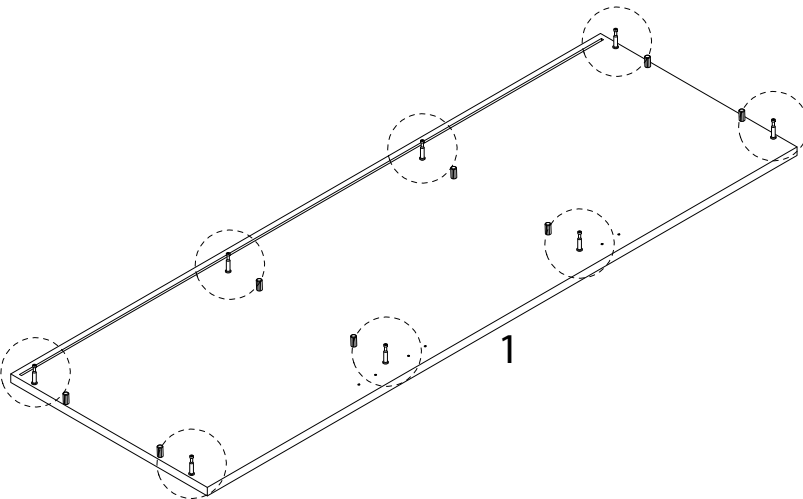
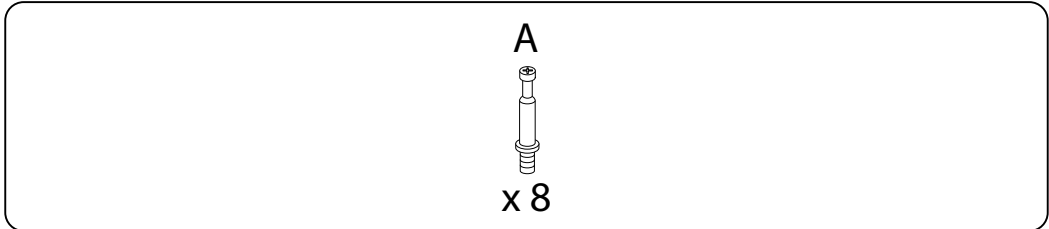


x 12

1



2



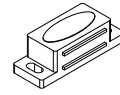
3

H

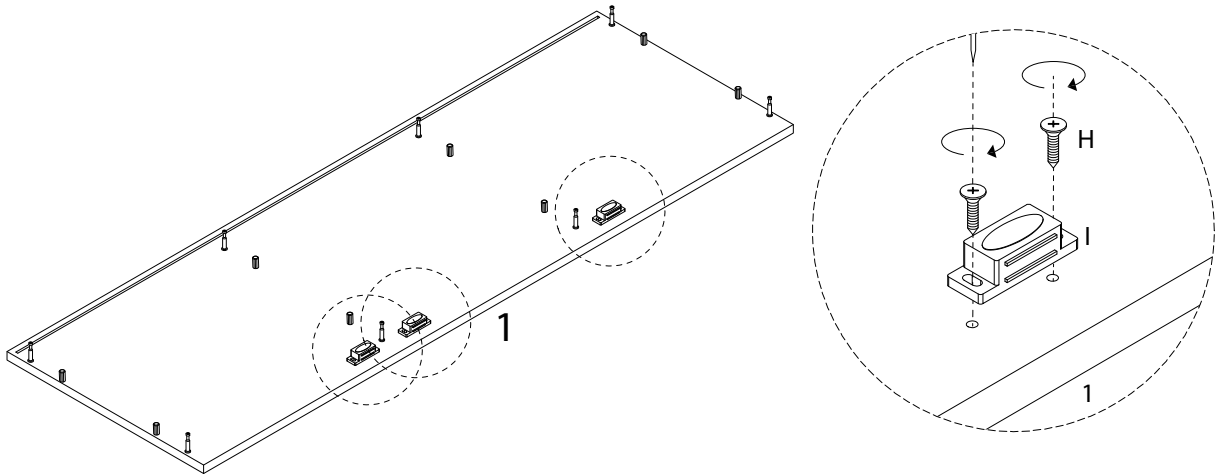


x 6

I

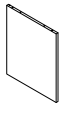


x 3



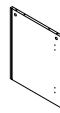
4

3



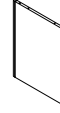
x 1

4



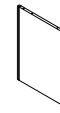
x 1

5

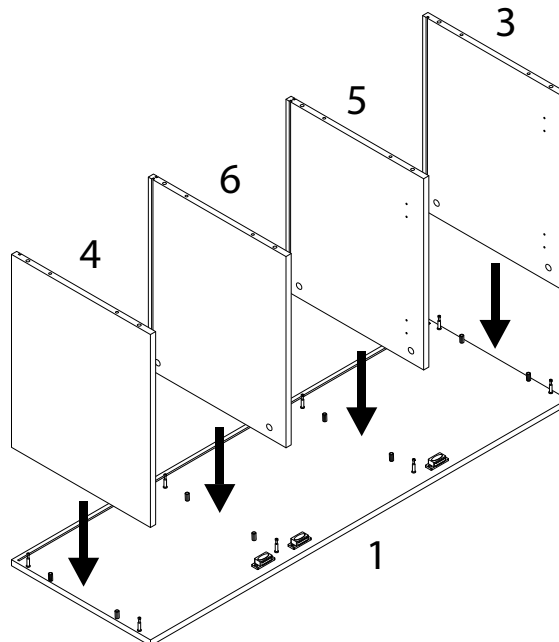


x 1

6

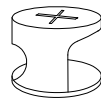


x 1

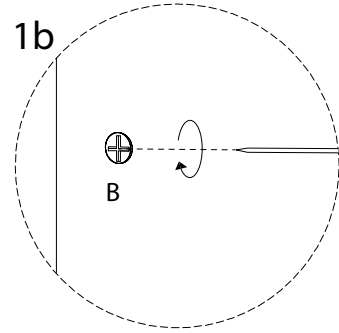
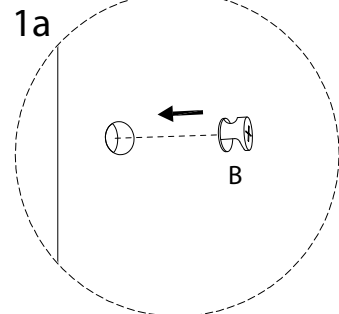
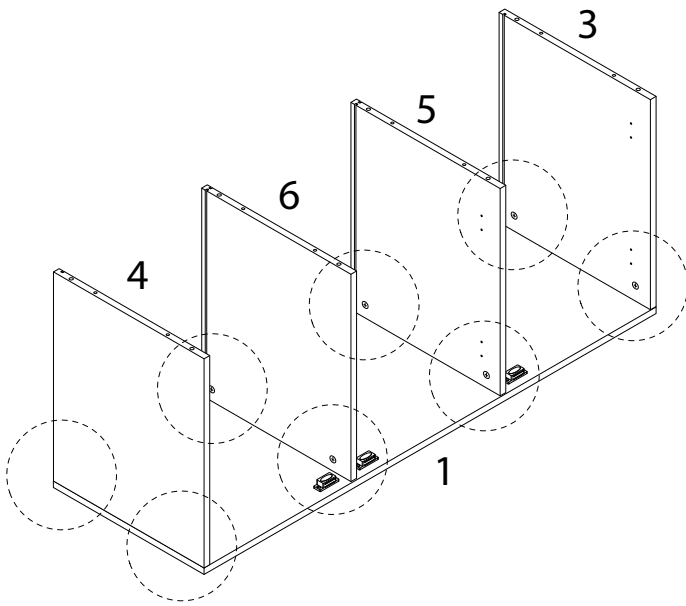


5

B

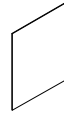


x 8

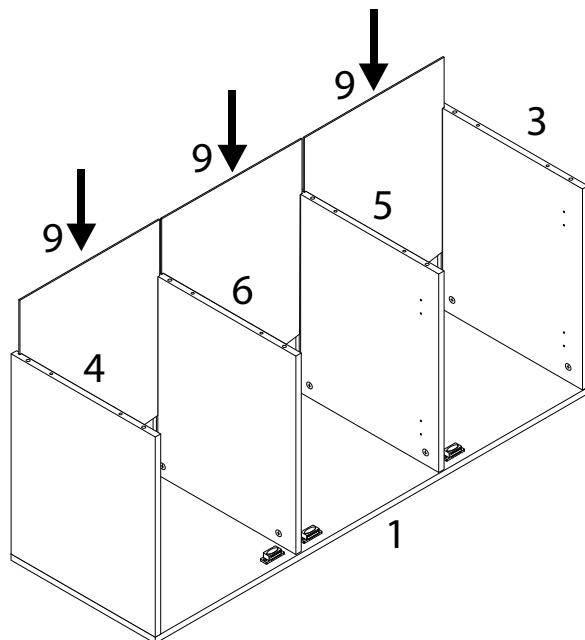


6

9

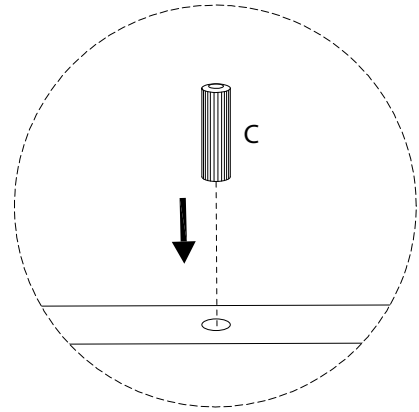
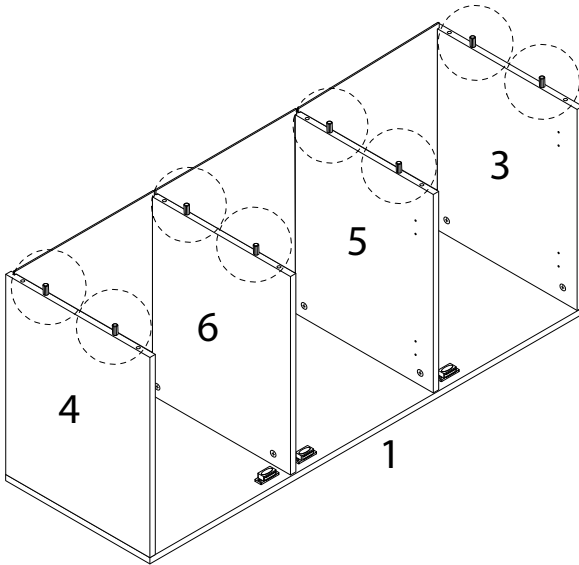
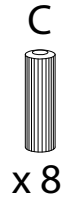


x 3

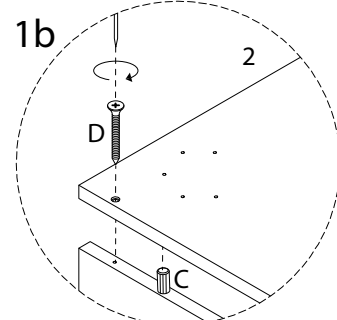
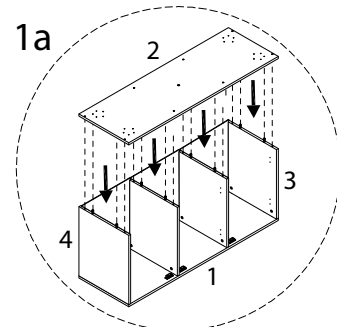
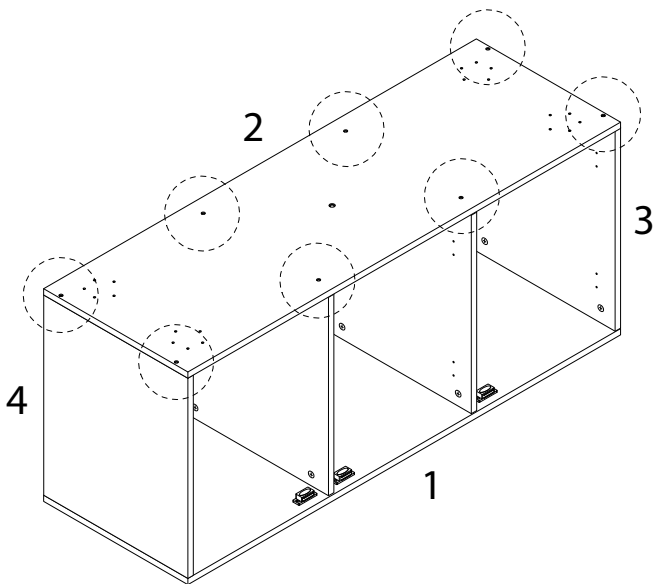
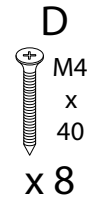
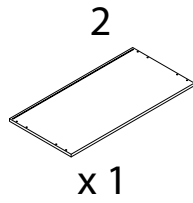




7

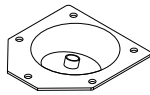


8



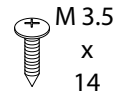
9

K

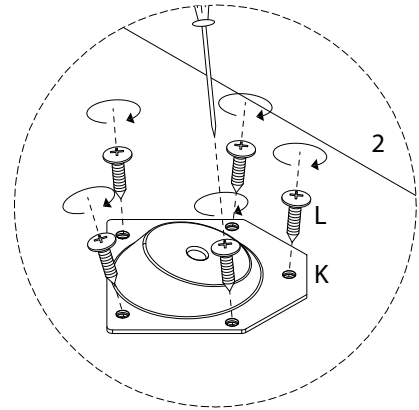
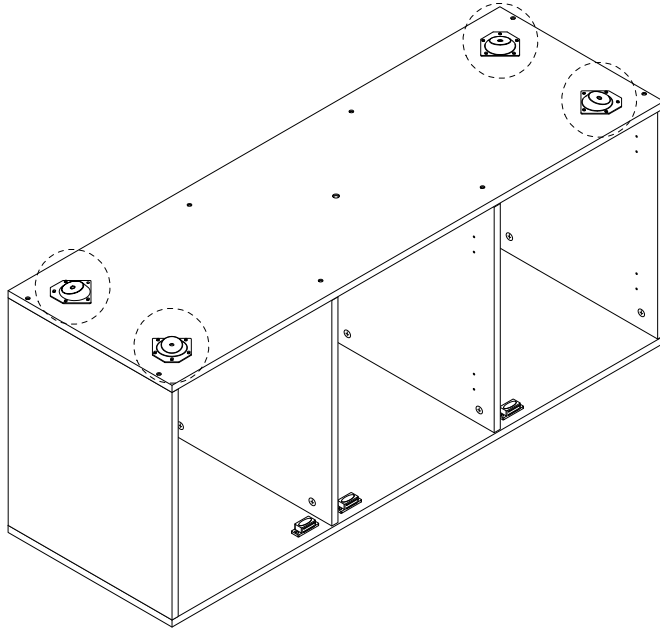


x 4

L



x 20



10

10

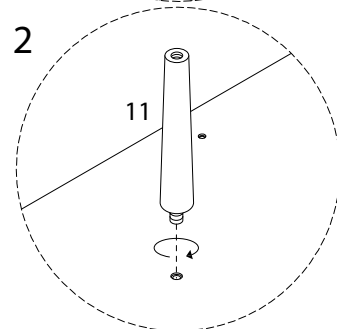
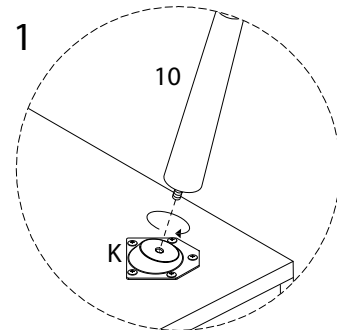
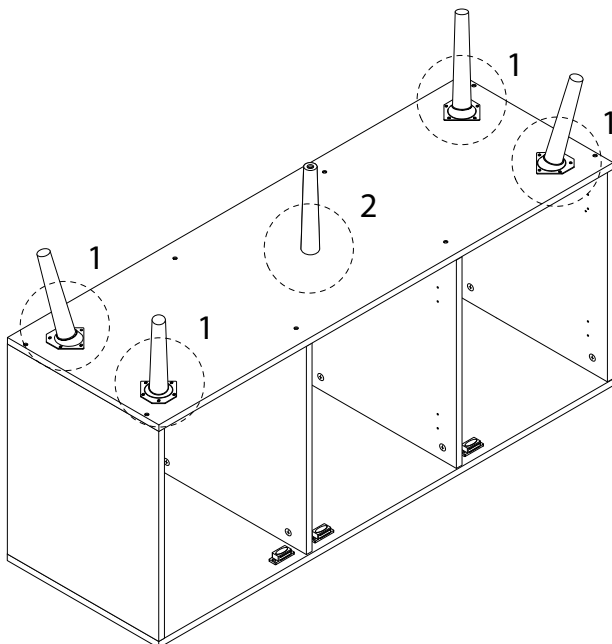


x 4

11



x 1



11

E

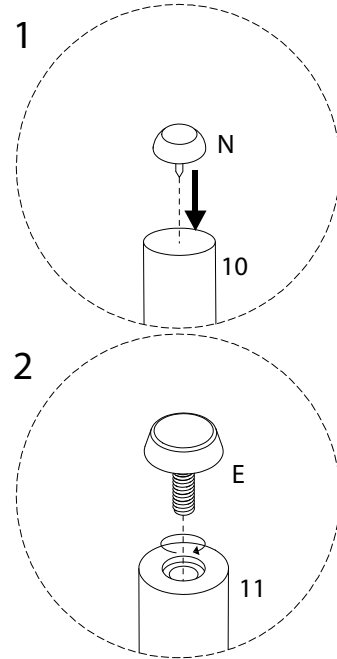
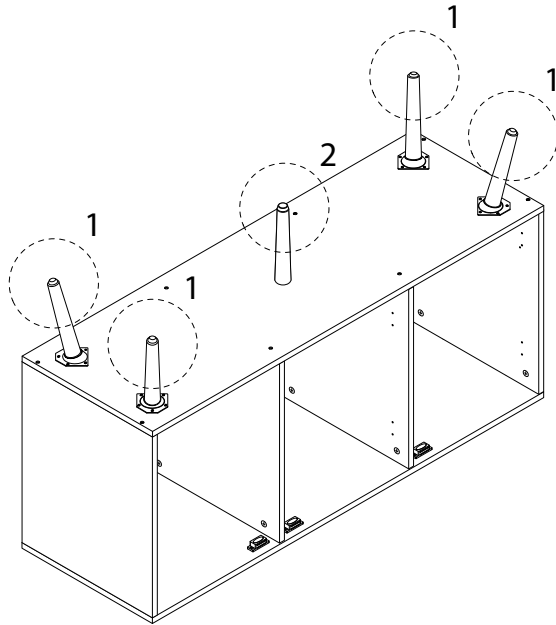


x 1

N

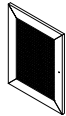


x 4



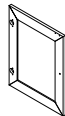
12

7



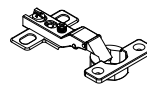
x 2

8



x 1

F

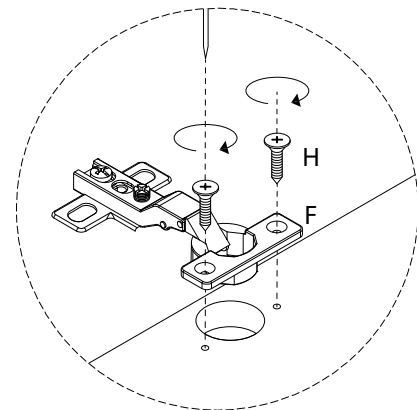
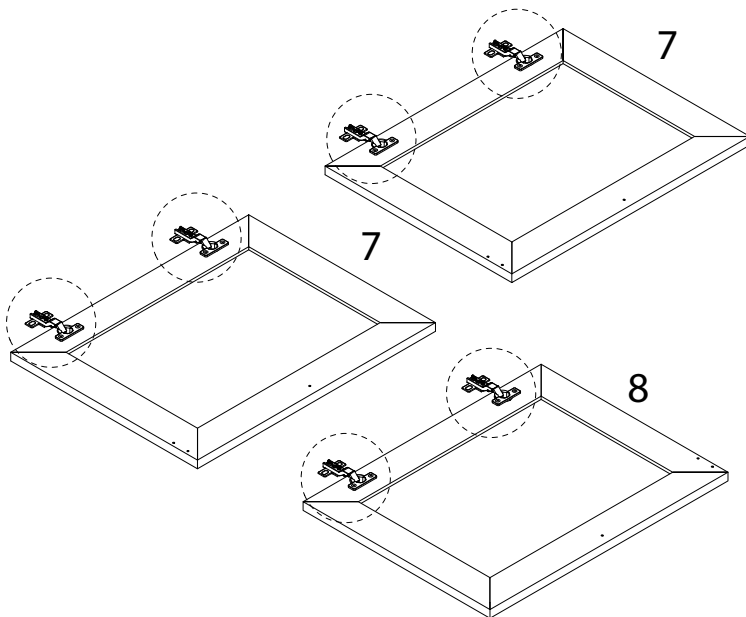


x 6

H



x 12



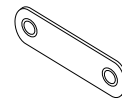
13

H

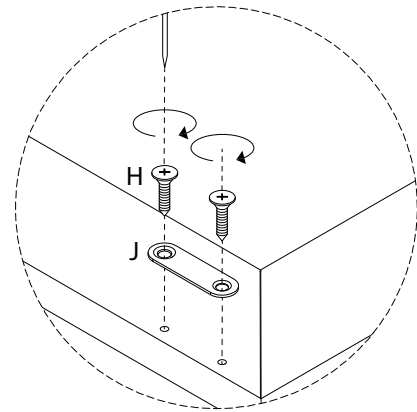
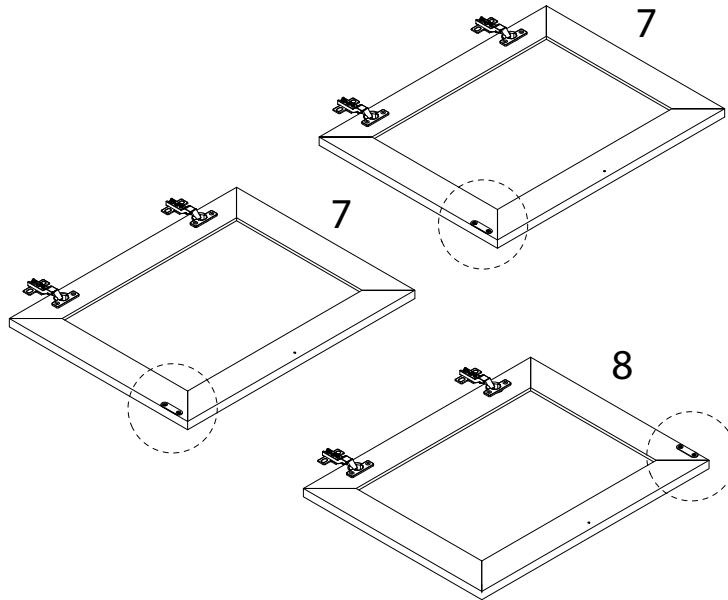


x 6

J

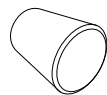


x 3



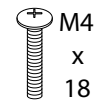
14

G

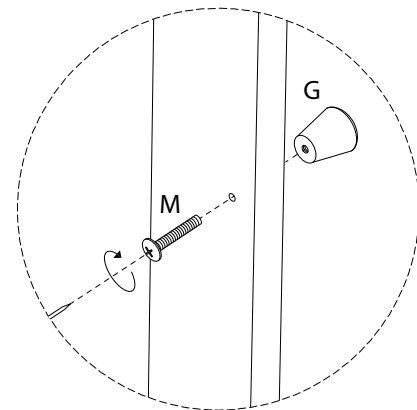
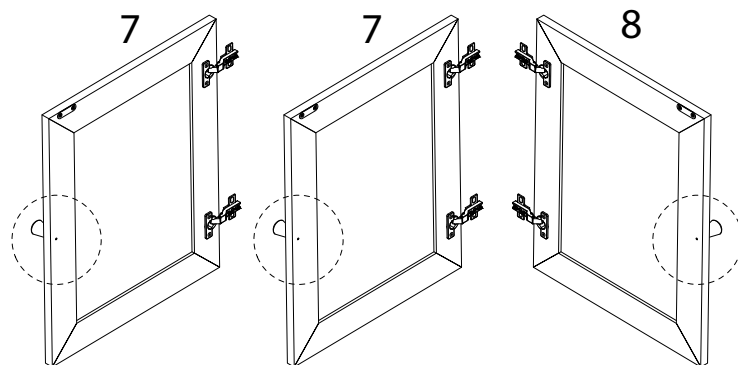


x 3

M



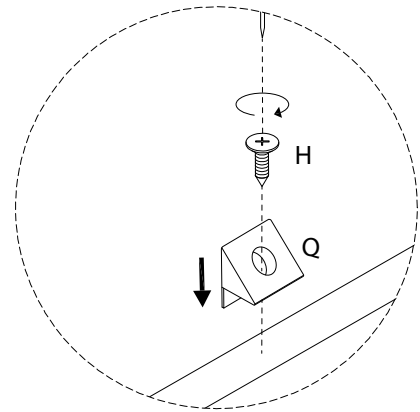
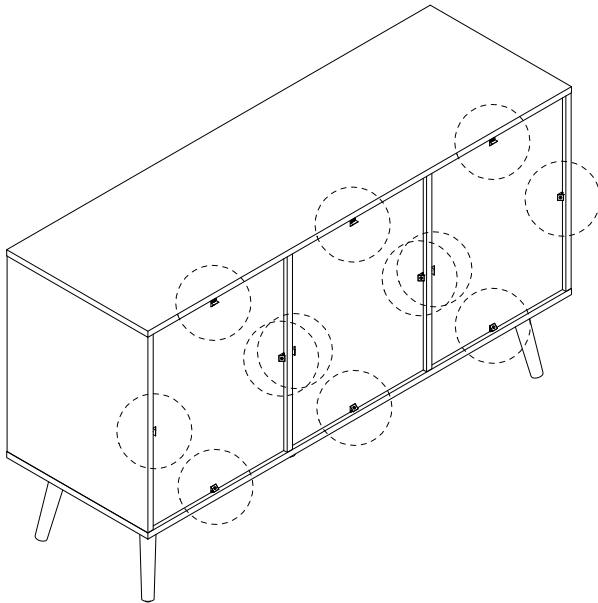
x 3



15

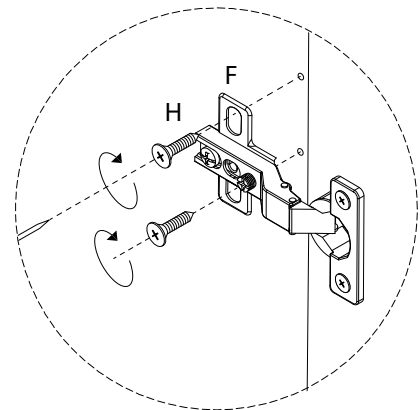
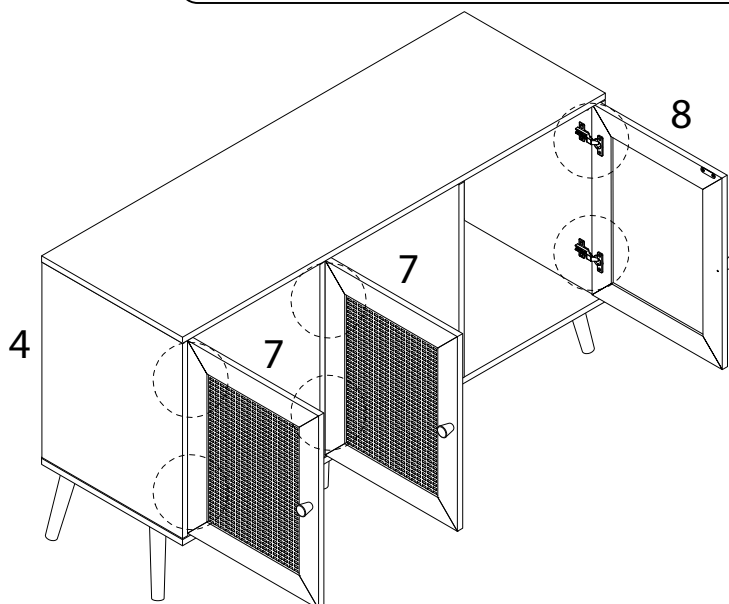
H  
M3  
x  
14  
x 12

Q  
x 12

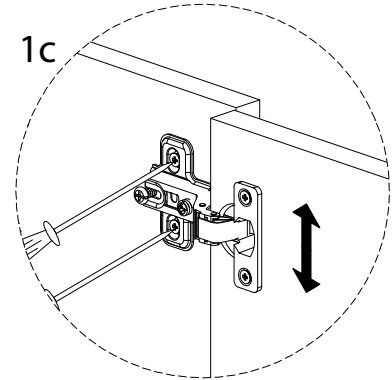
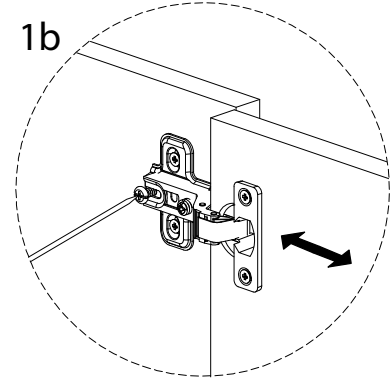
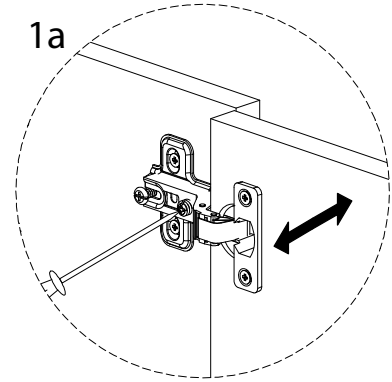
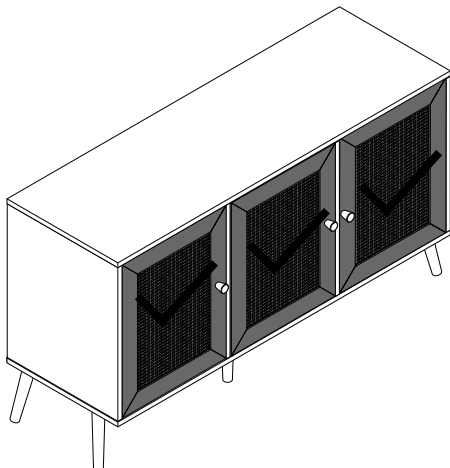
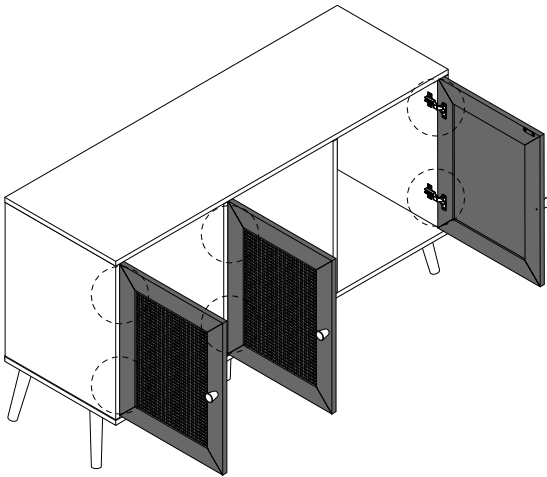
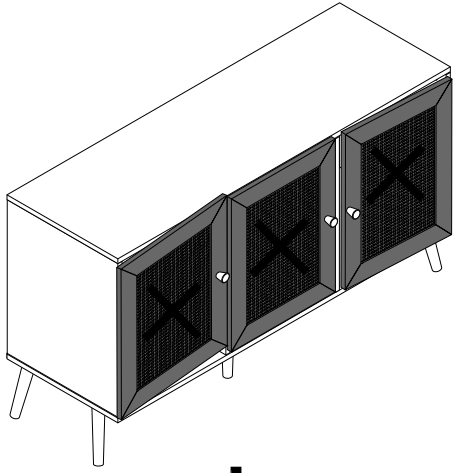


16

H  
M3  
x  
14  
x 12



!



17

D  
M4  
x  
40  
x 2

L  
M3.5  
x  
14  
x 2

O  
x 2

P  
x 2

