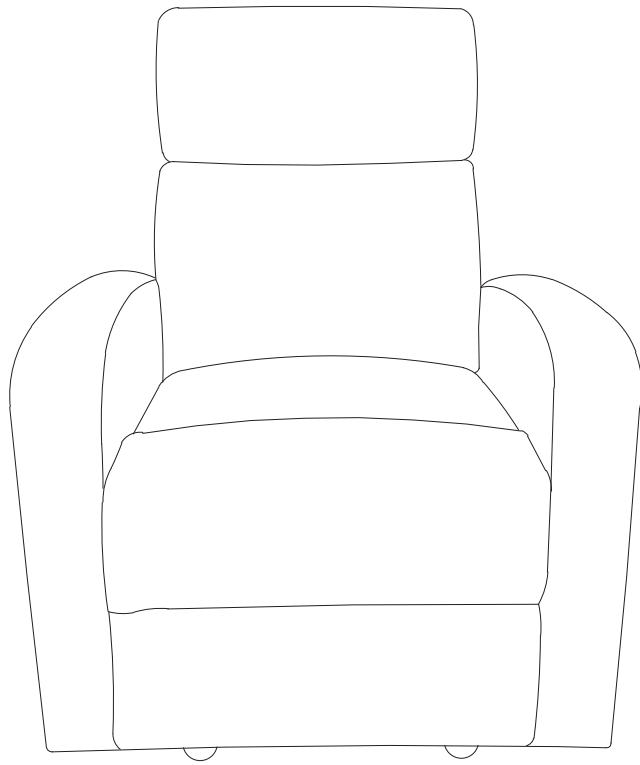
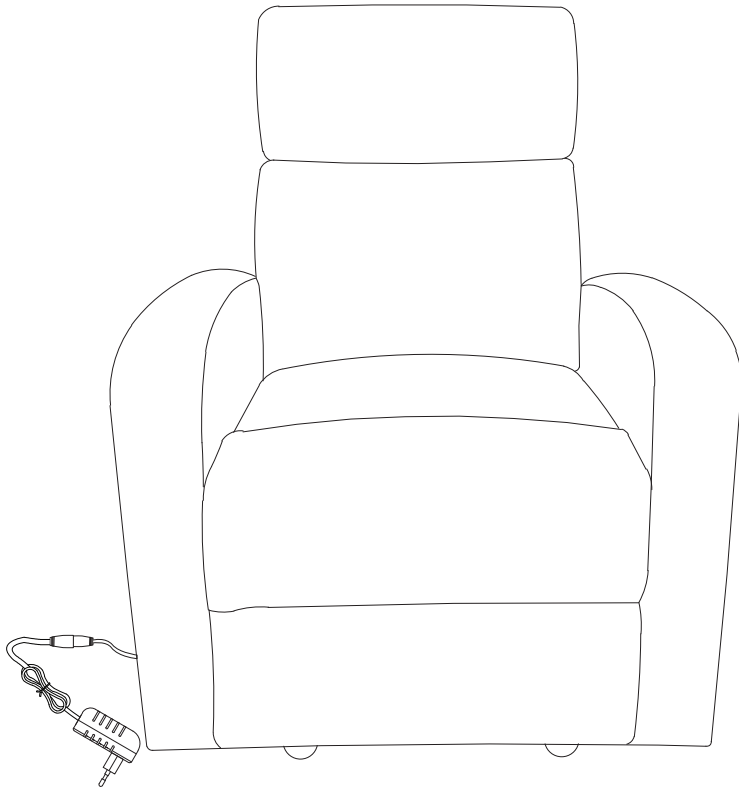
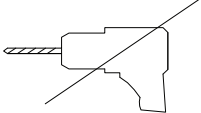

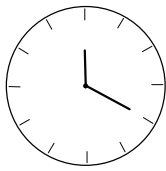
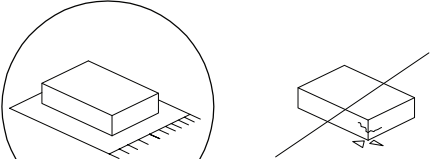




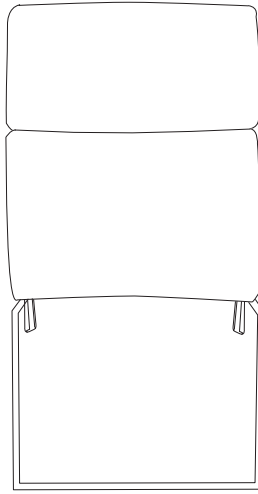
# VERDAL



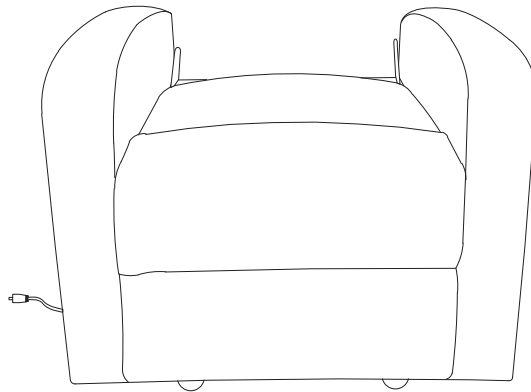


		
		<b>20'</b>
		
		<b>2</b>

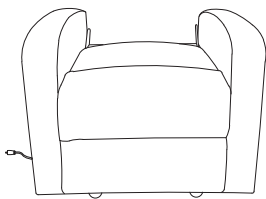
B



A

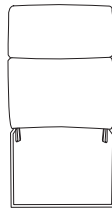


A



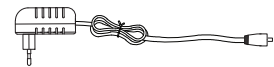
x 1

B



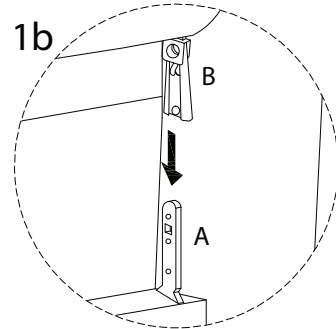
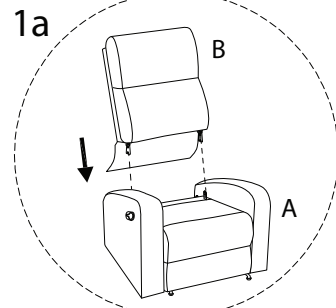
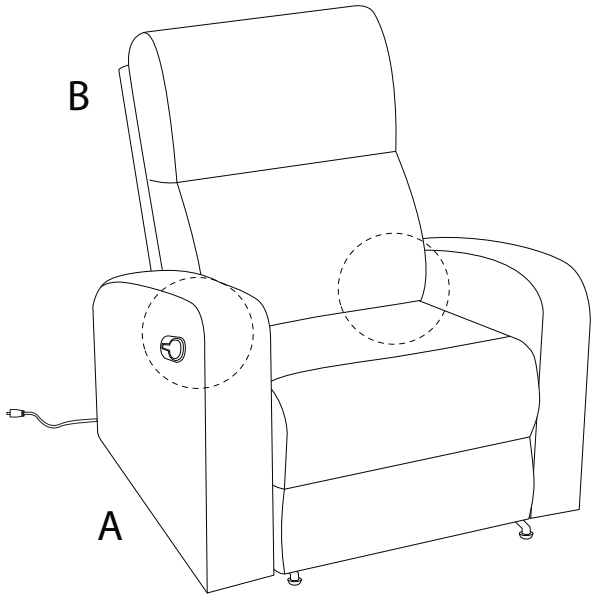
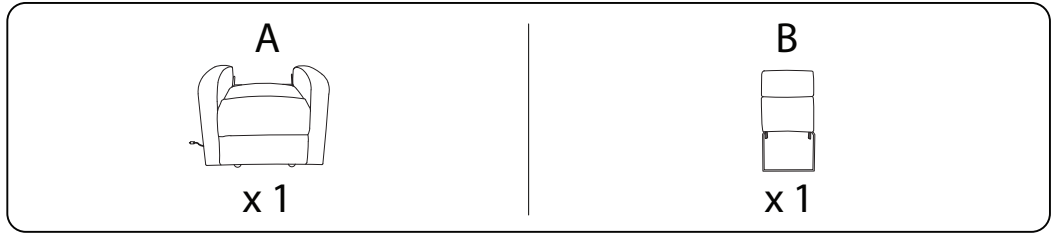
x 1

C

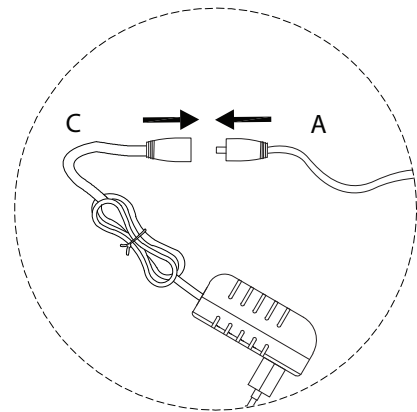
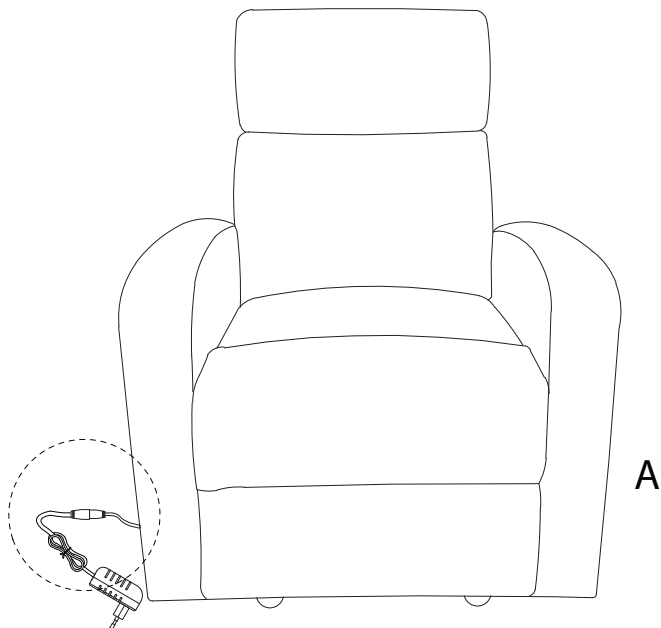
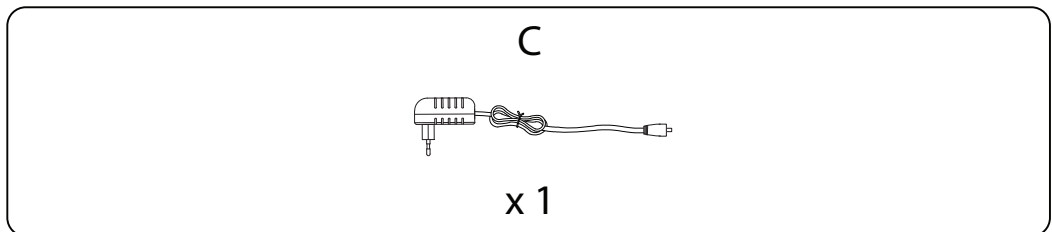


x 1

1

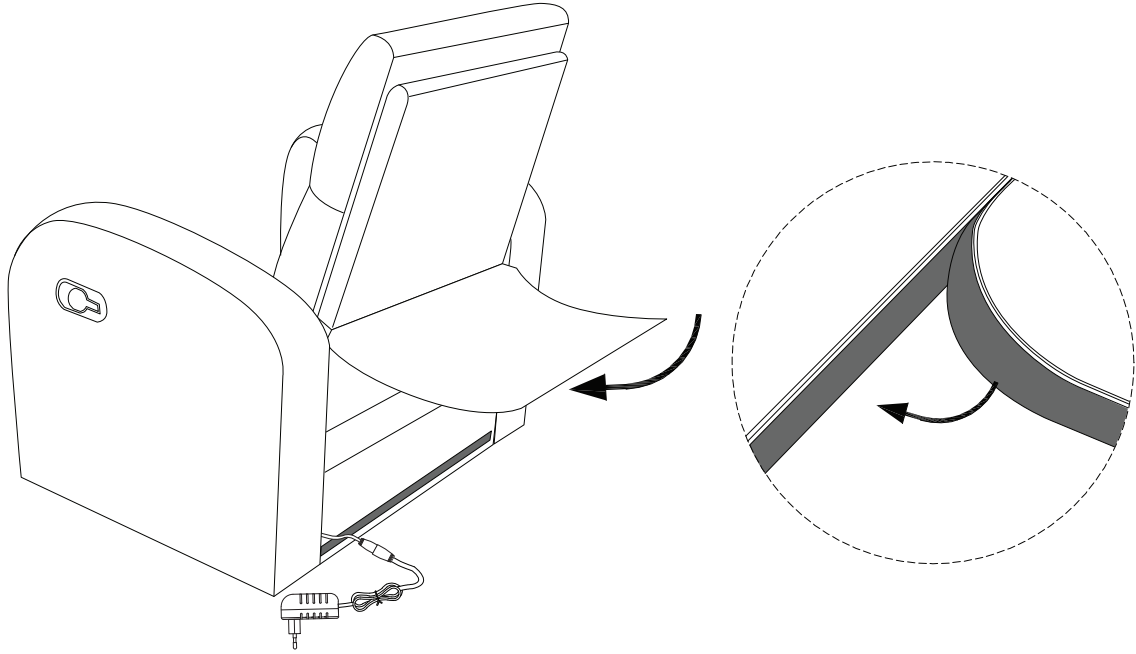


2

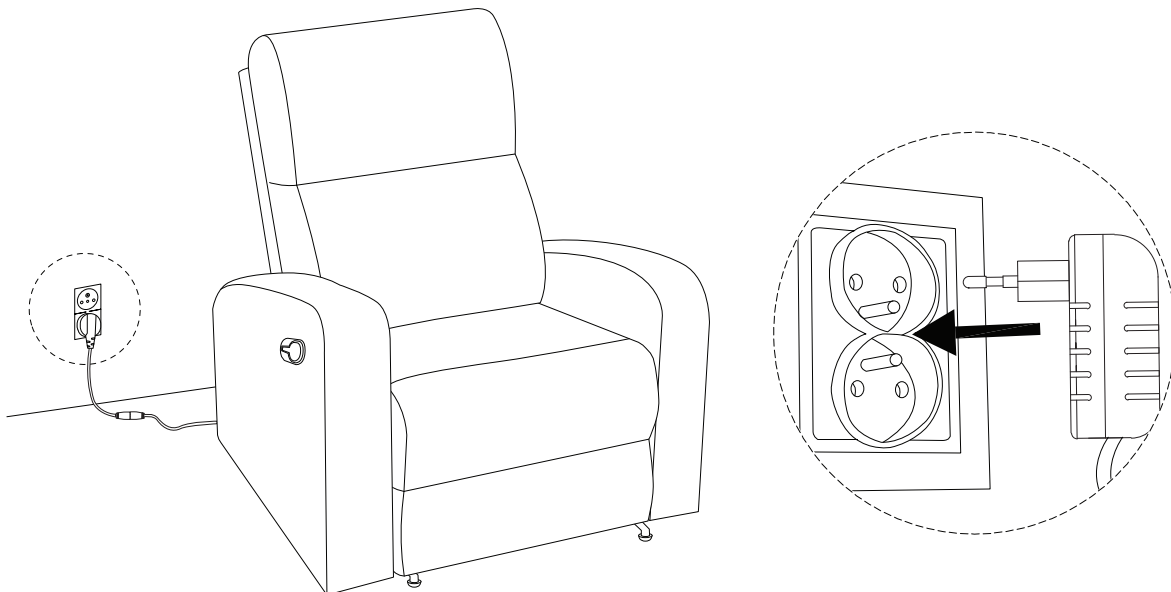


3

B



!



!

