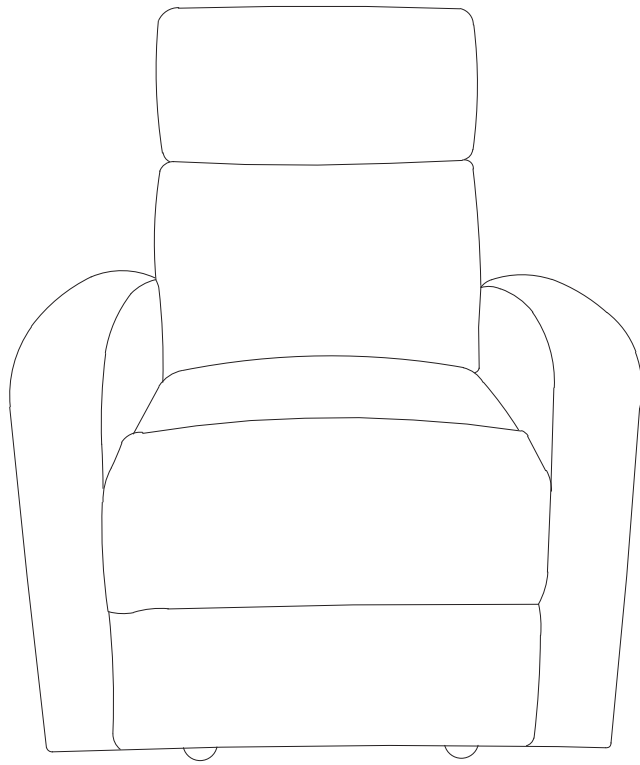
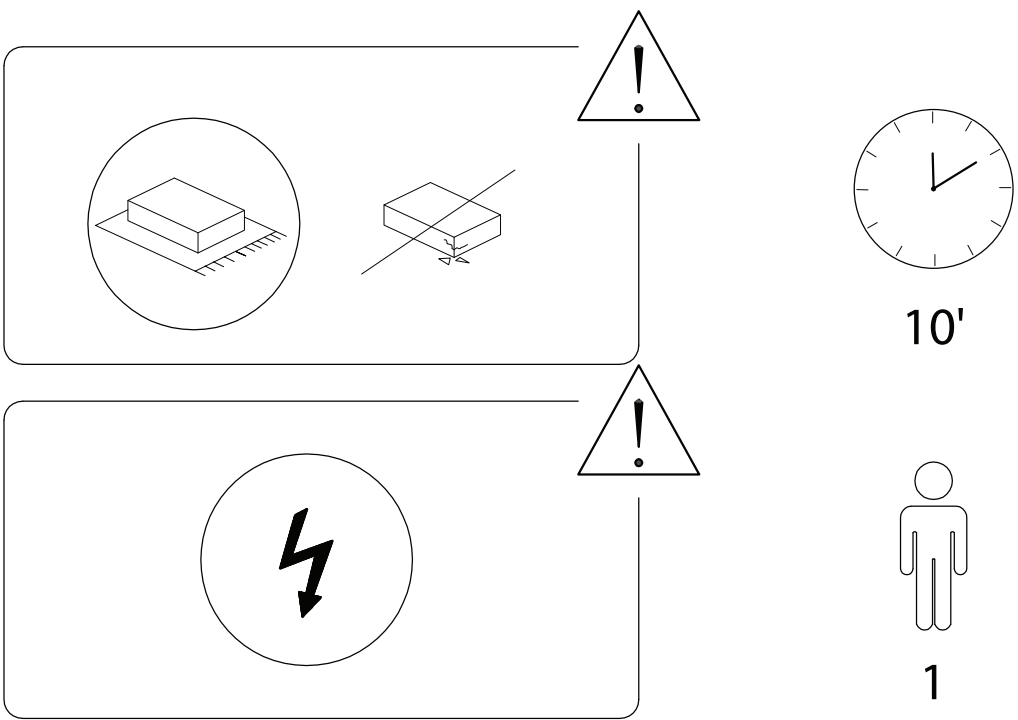
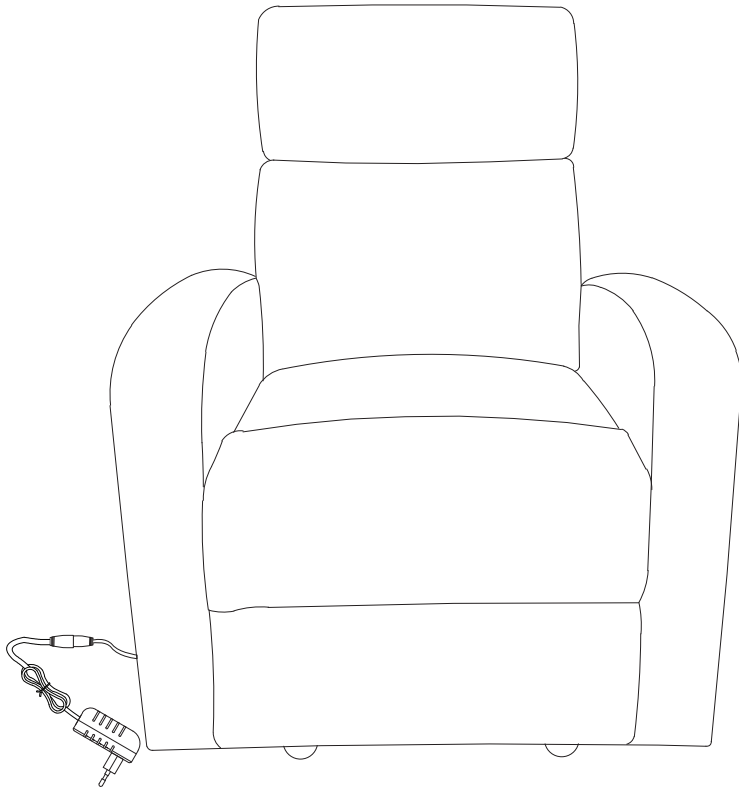
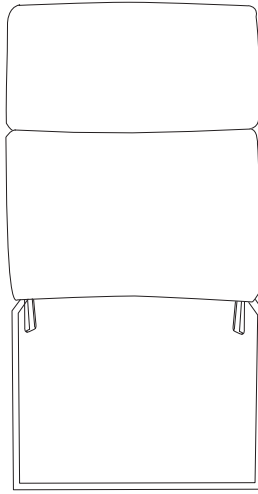


VERDAL

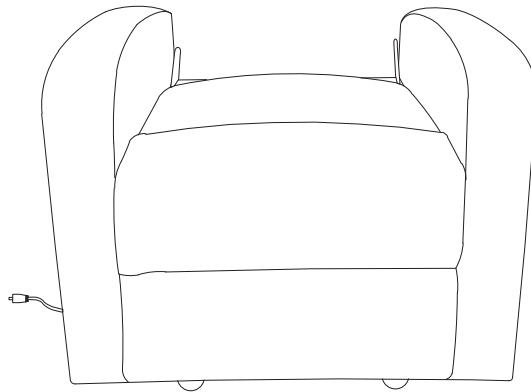




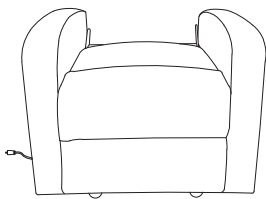
B



A

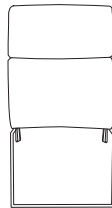


A



x 1

B



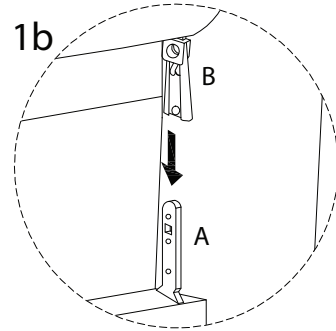
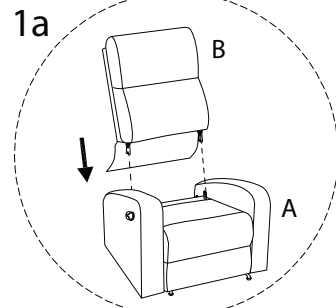
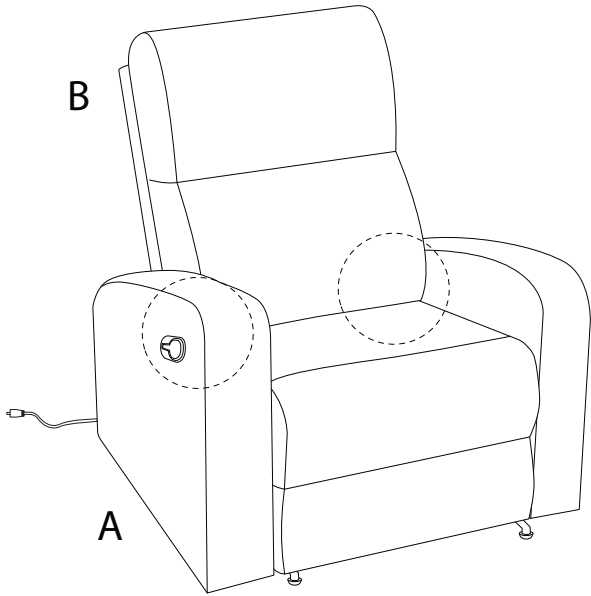
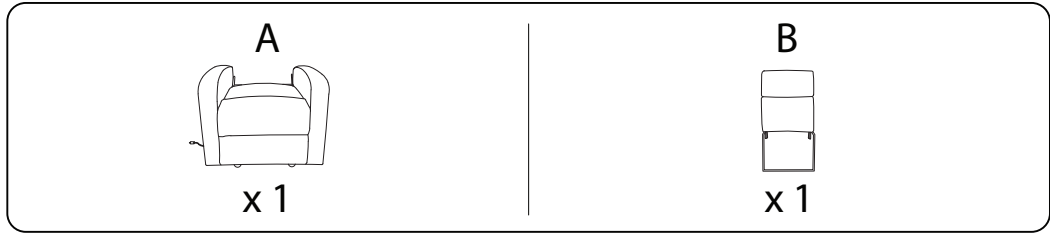
x 1

C

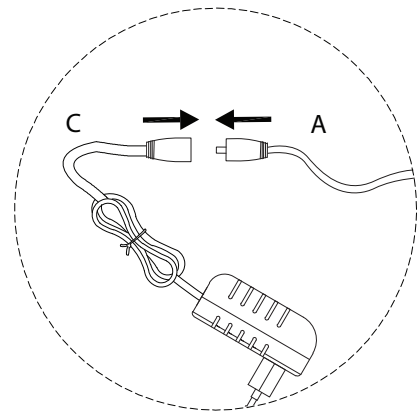
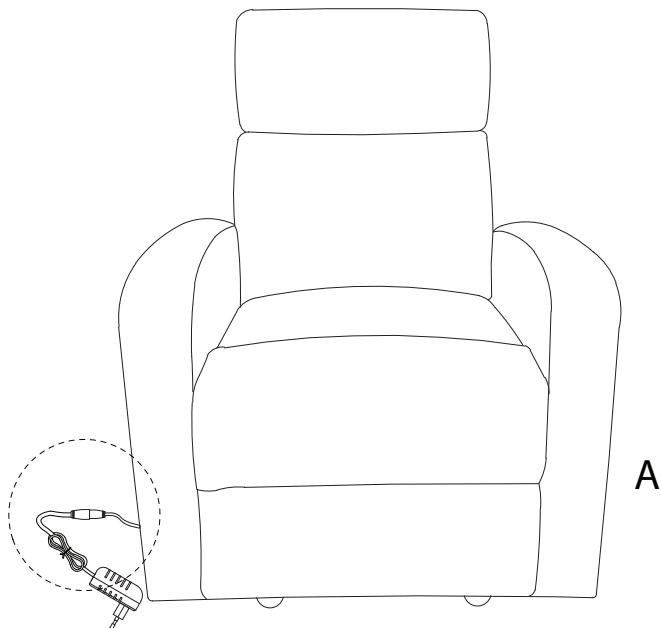
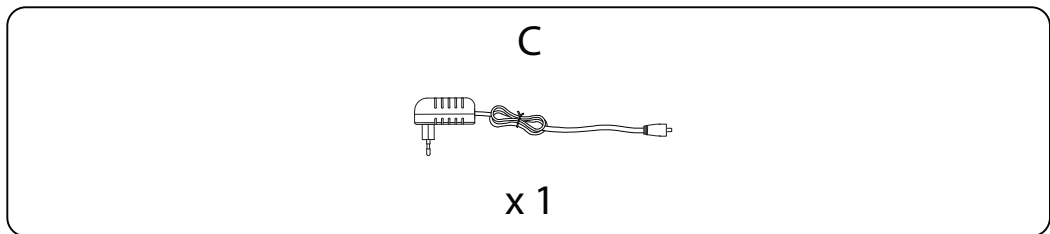


x 1

1

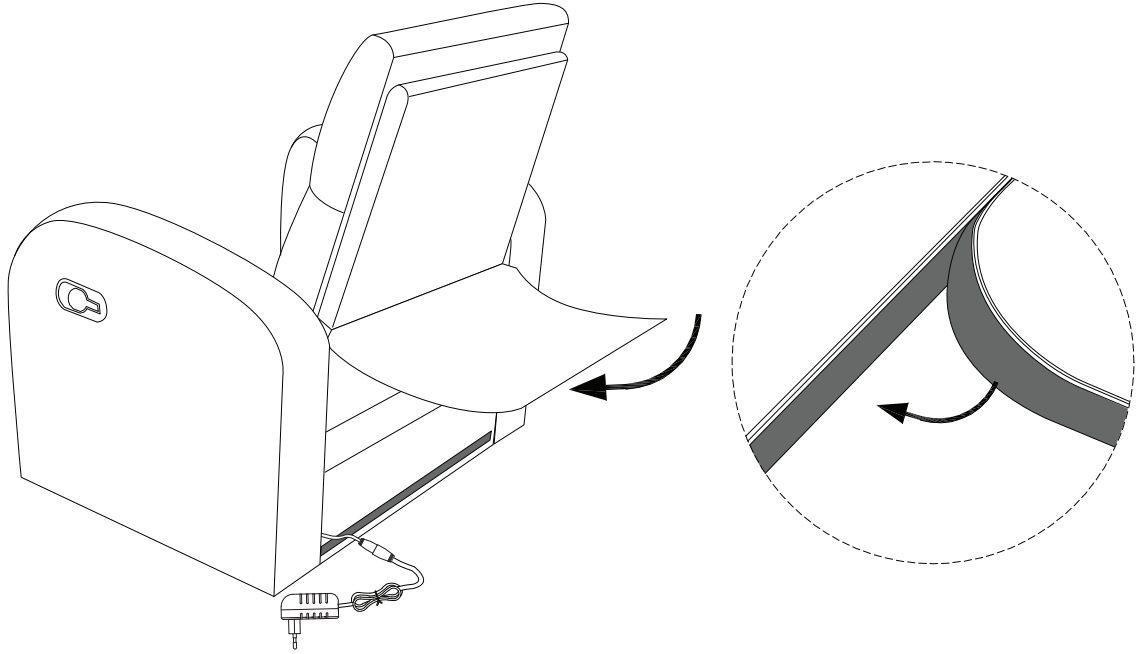


2

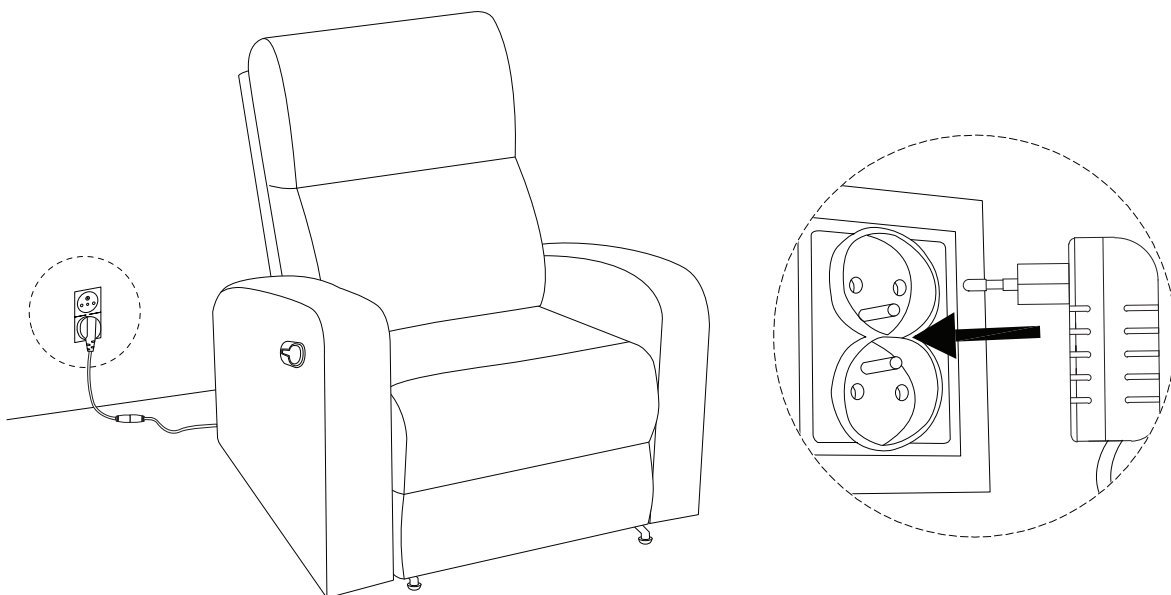


3

B



!



!

