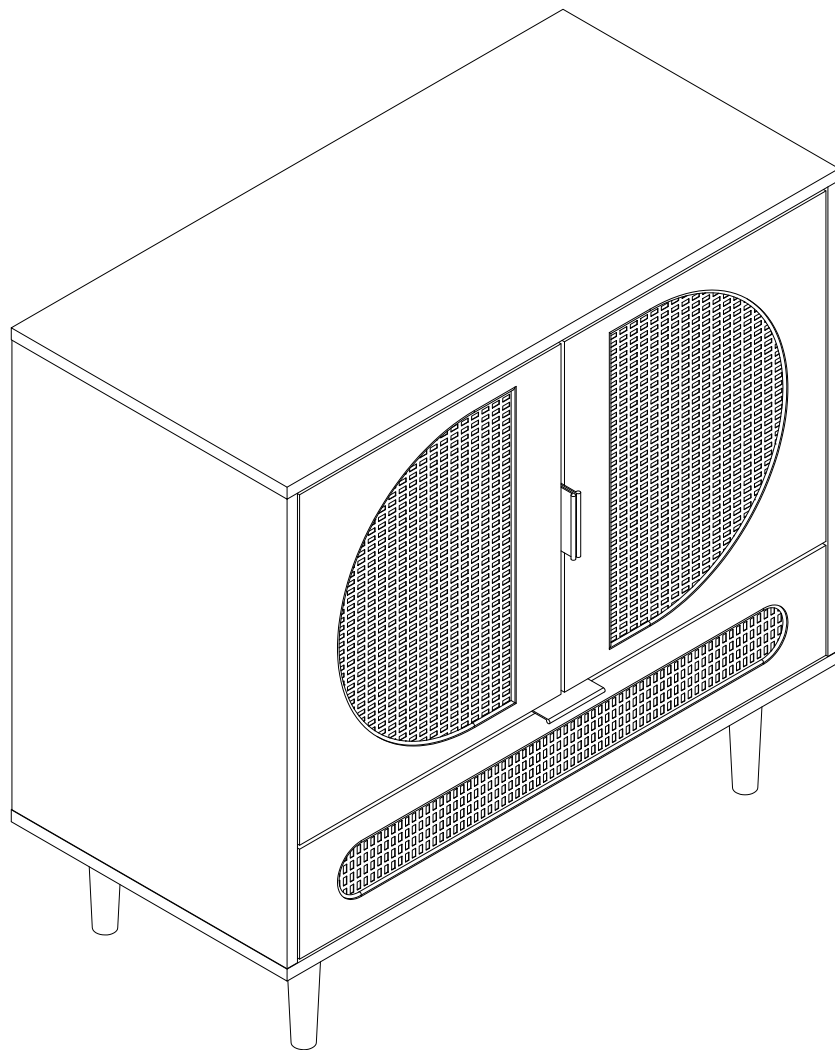
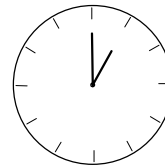
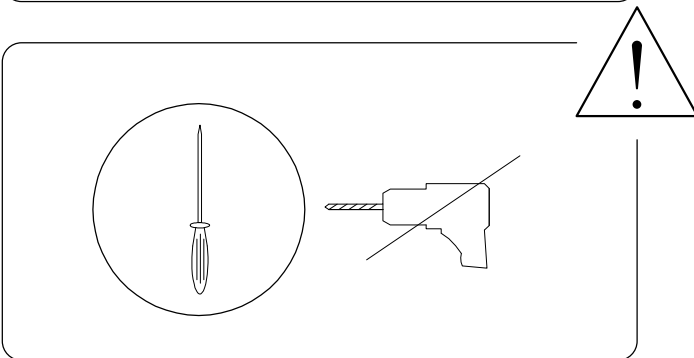
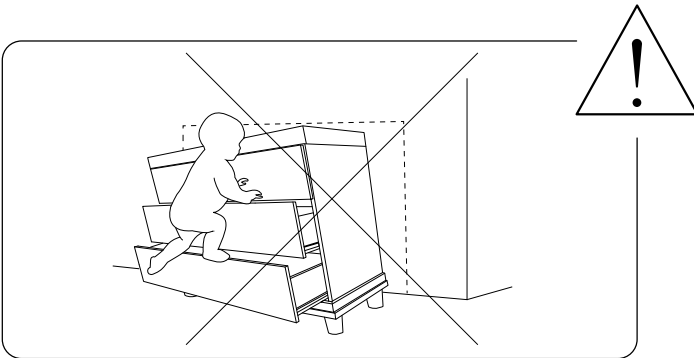
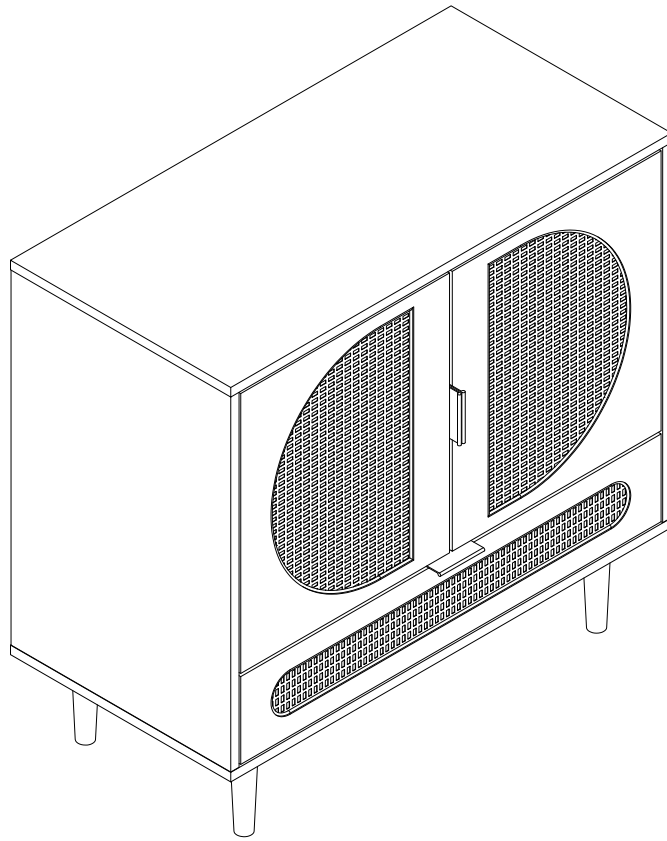
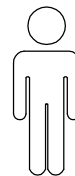
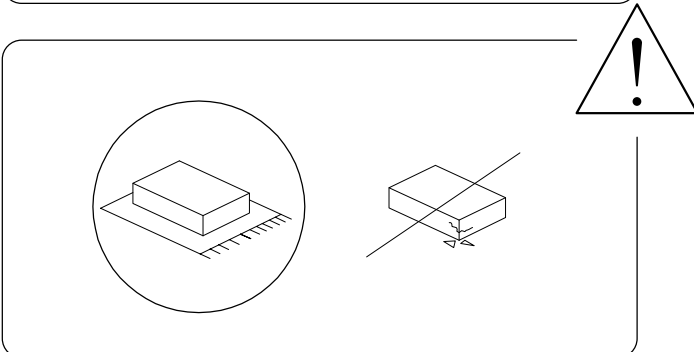


POTOSI

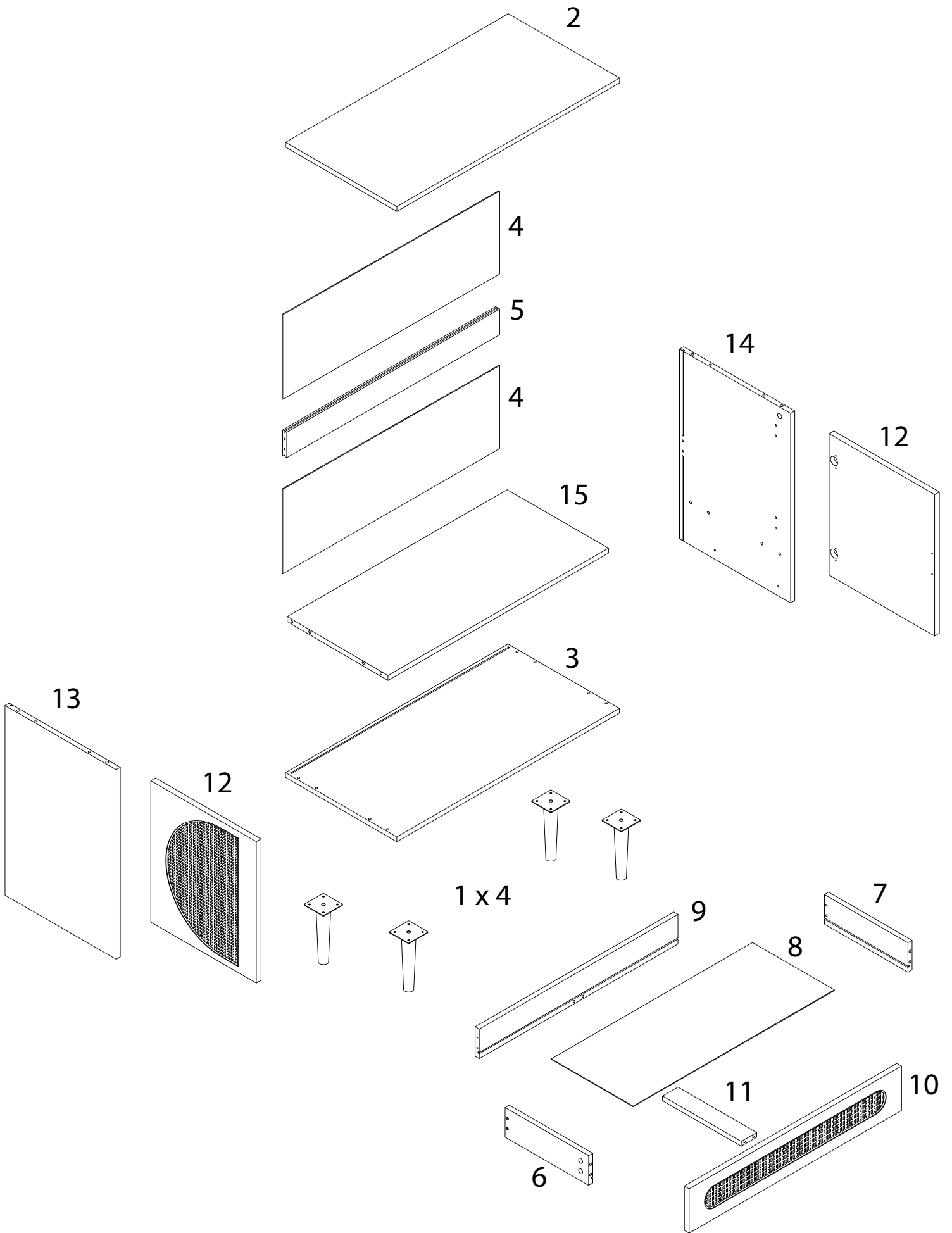


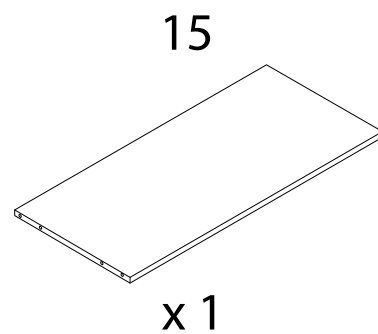
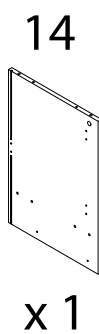
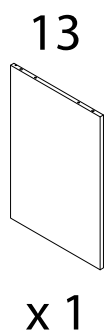
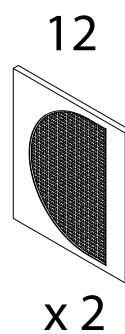
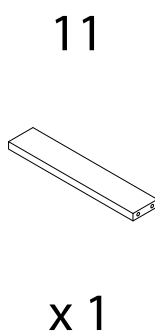
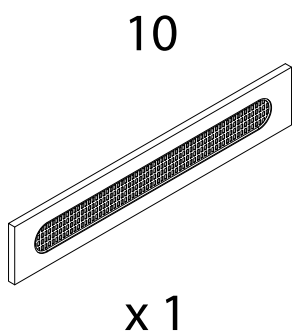
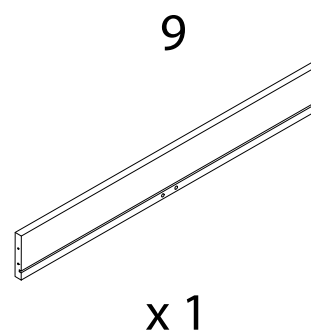
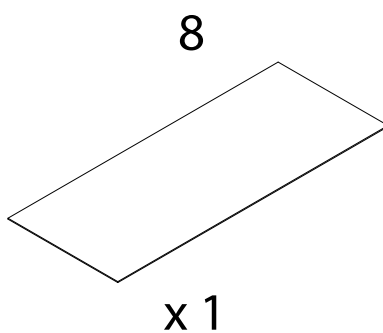
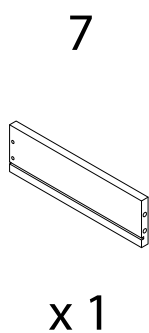
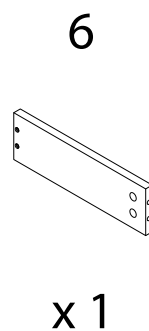
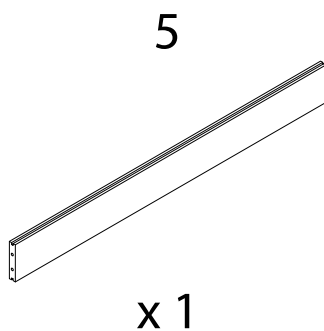
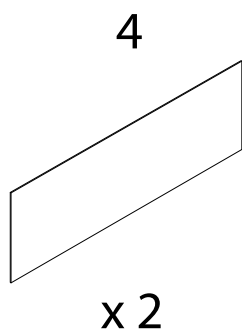
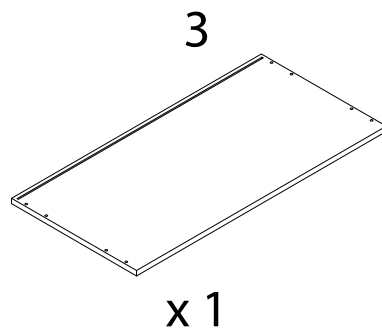
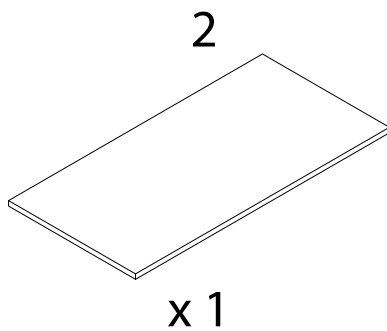
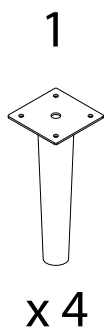


60'



2



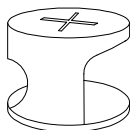


A



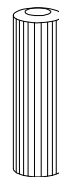
x 16

B



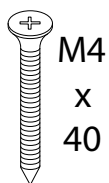
x 16

C



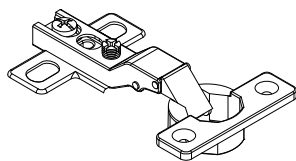
x 16

D



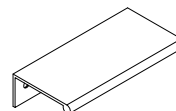
x 10

E



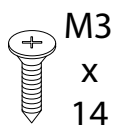
x 4

F



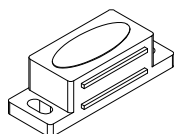
x 3

G



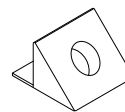
x 46

H



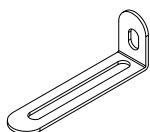
x 2

I



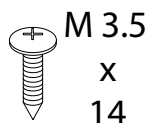
x 12

J



x 2

K



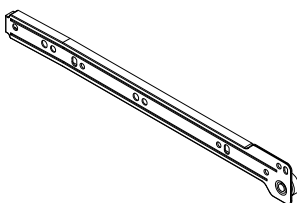
x 18

L



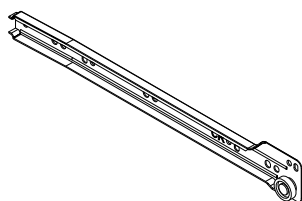
x 2

CL



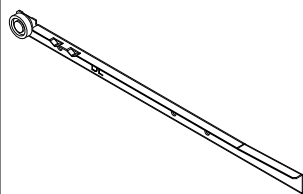
x 1

CR



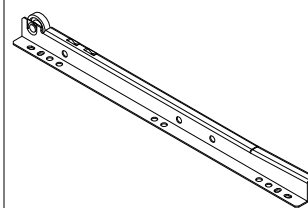
x 1

DL



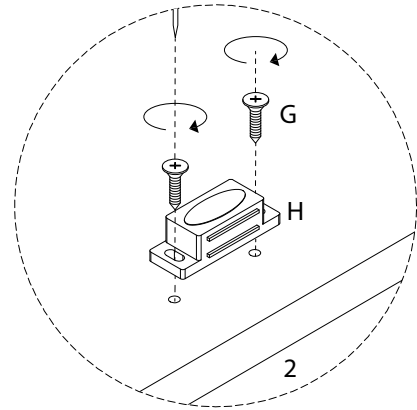
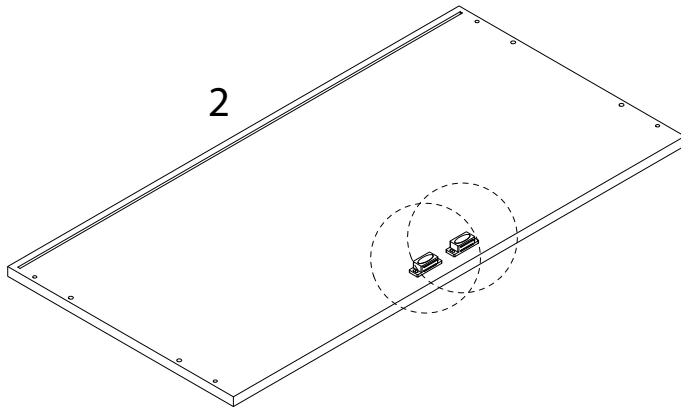
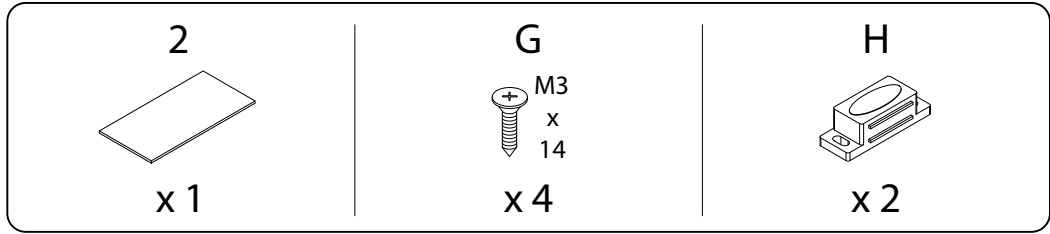
x 1

DR

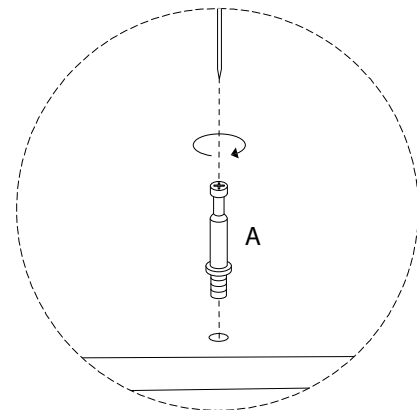
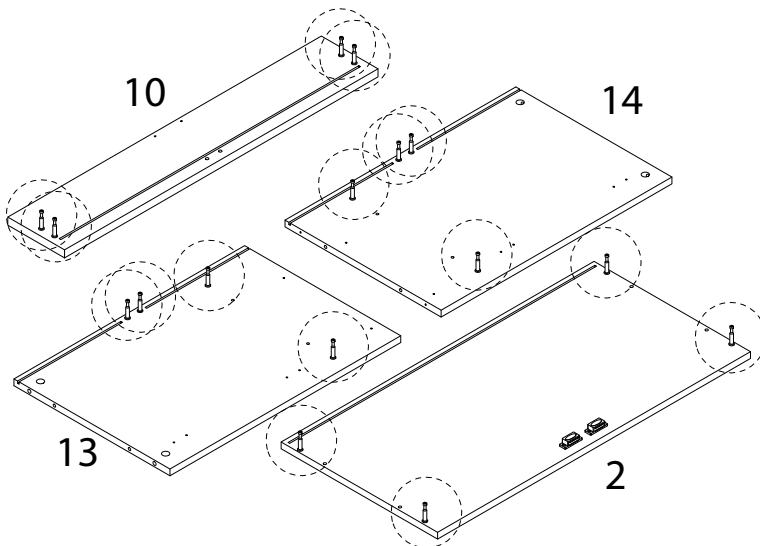
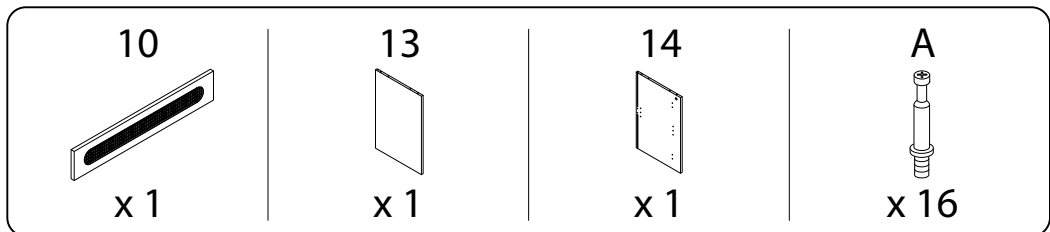


x 1

1



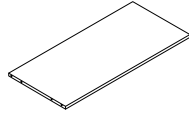
2



3

15

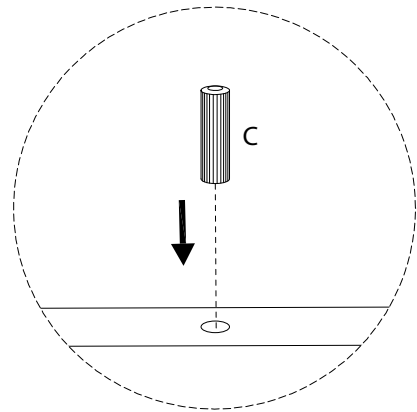
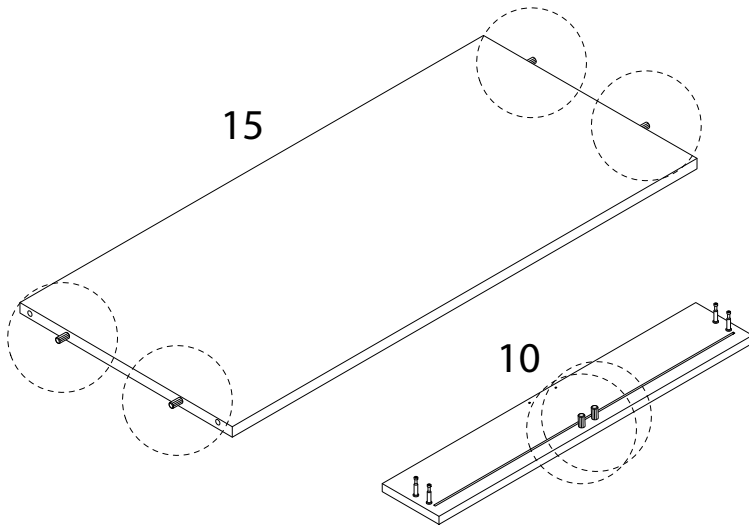
x 1



C



x 4



4

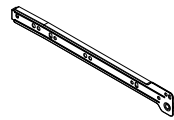
G



M3
x
14

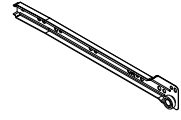
x 4

CL

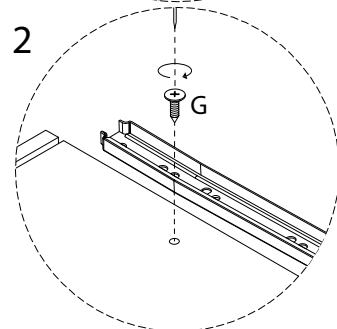
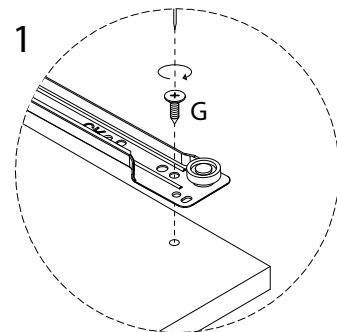
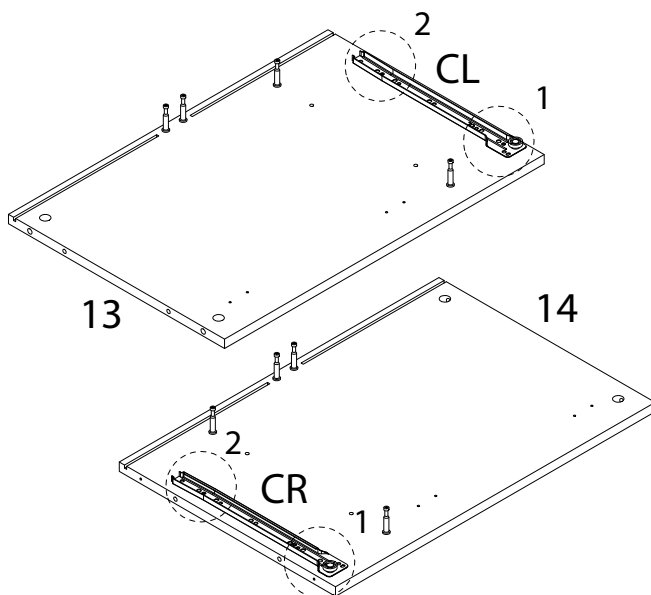


x 1

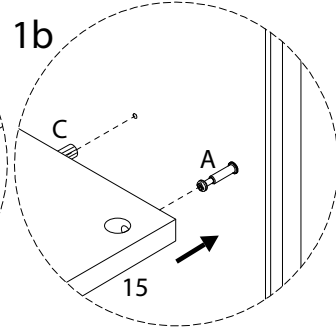
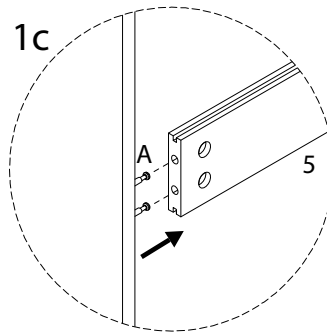
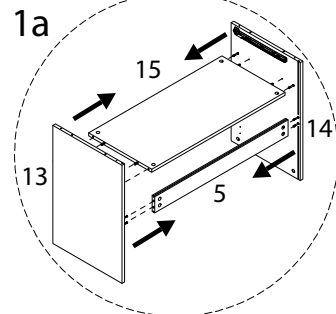
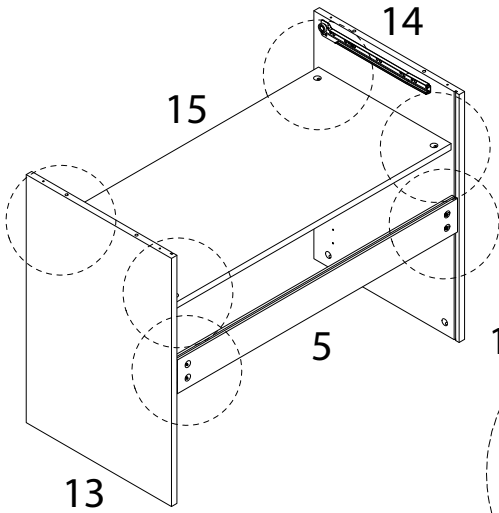
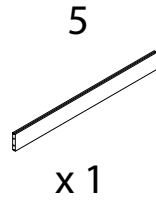
CR



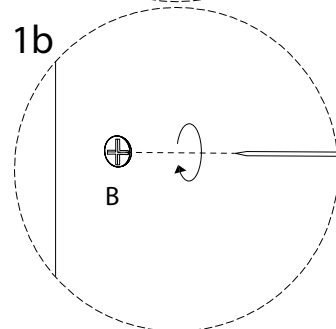
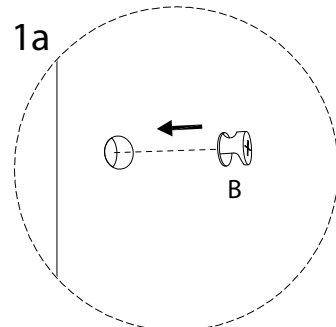
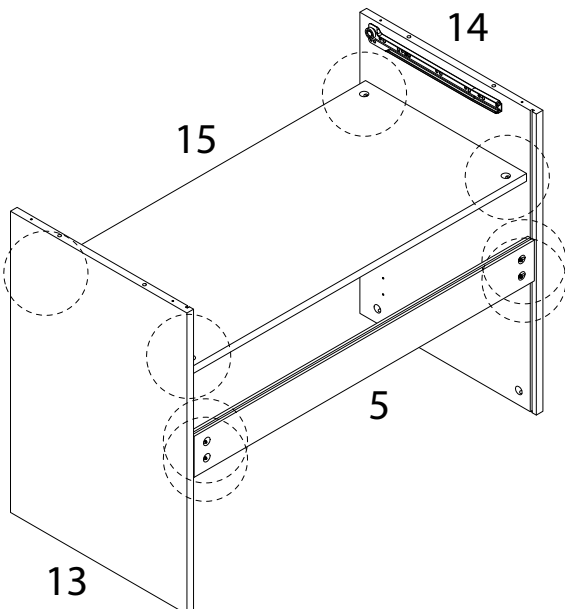
x 1



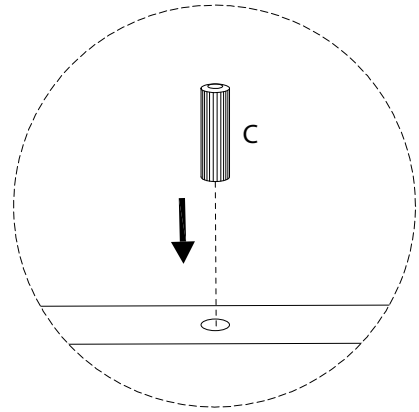
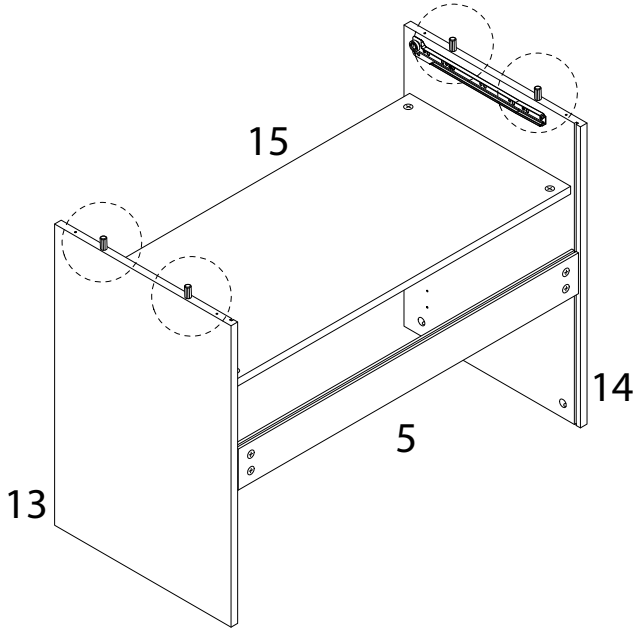
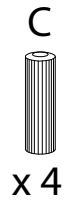
5



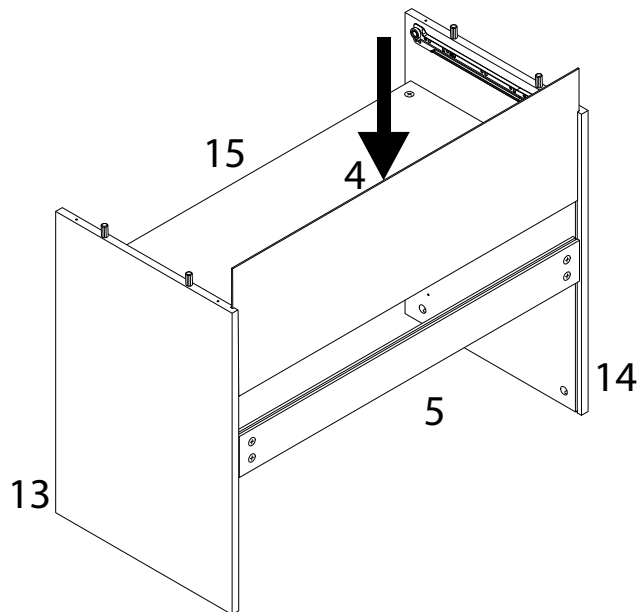
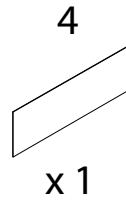
6



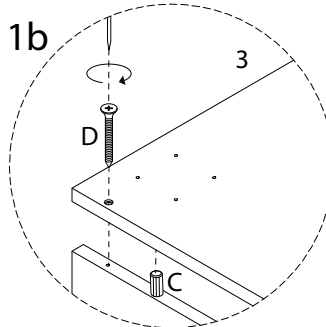
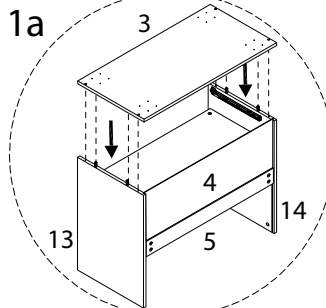
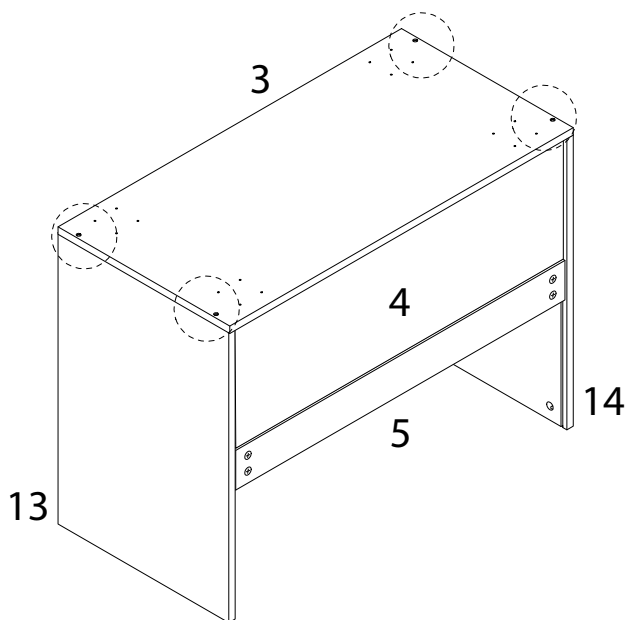
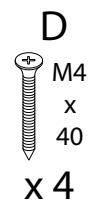
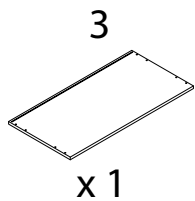
7



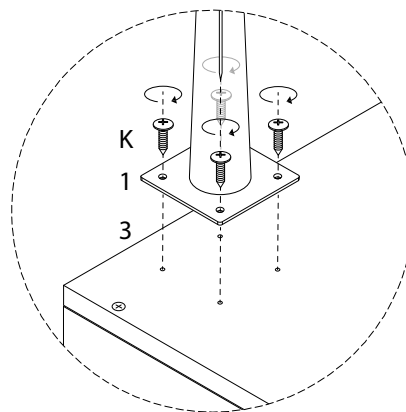
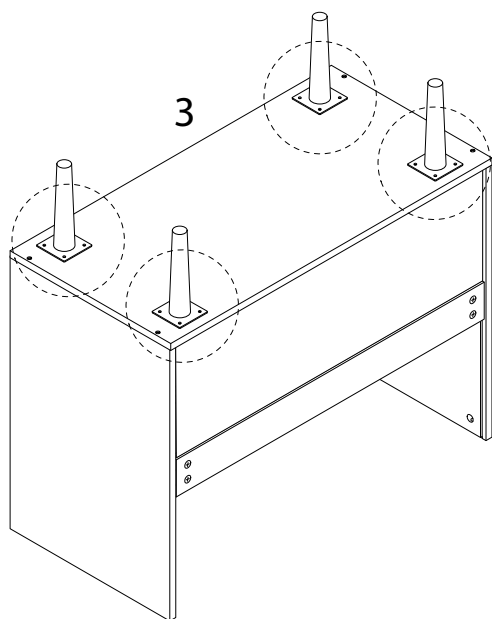
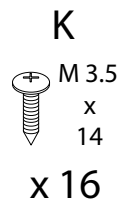
8



9

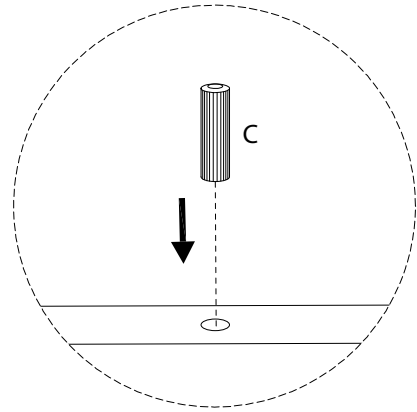
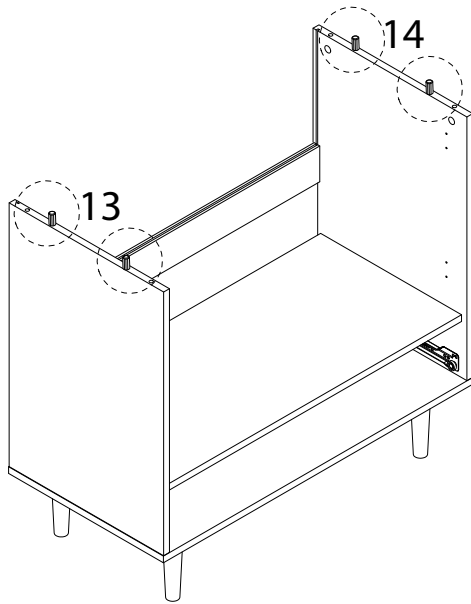


10



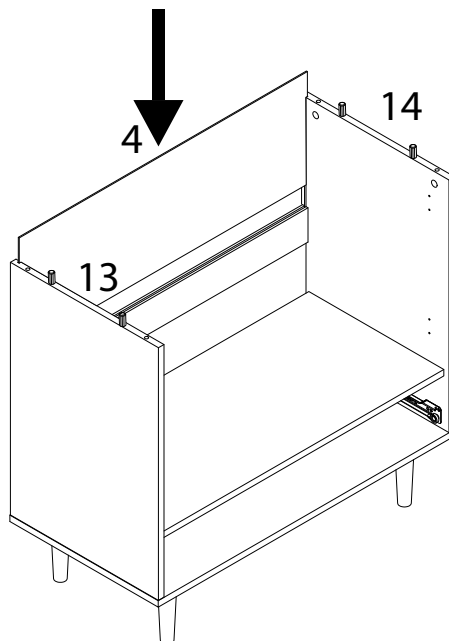
11

C
x 4

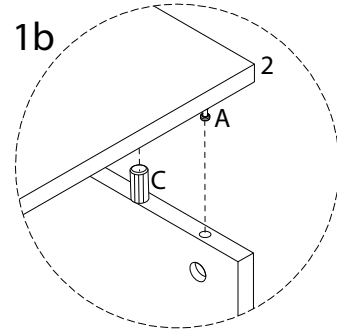
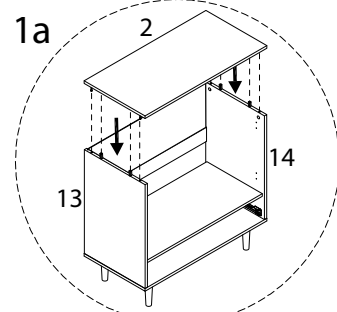
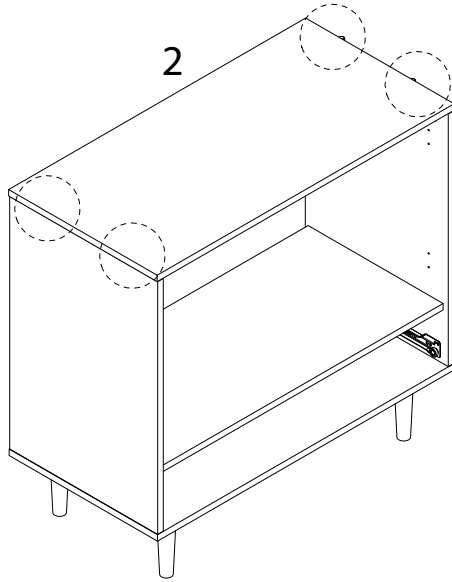


12

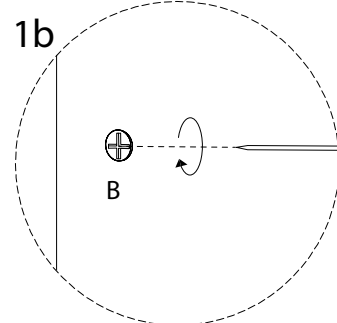
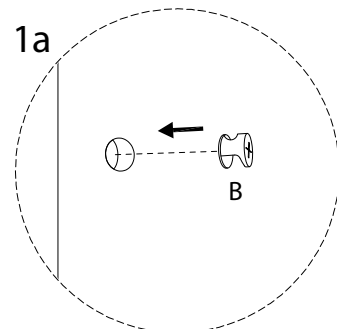
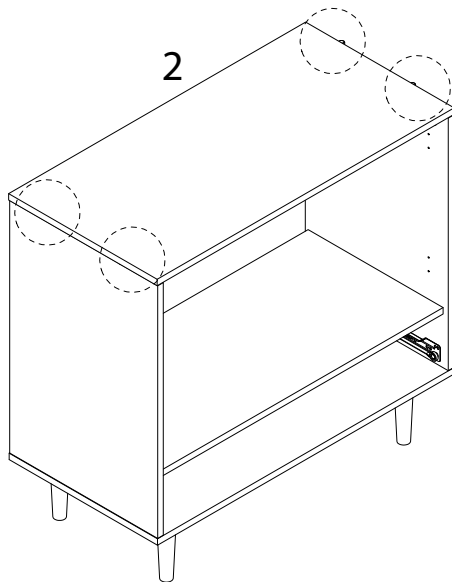
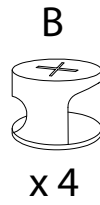
4
x 1



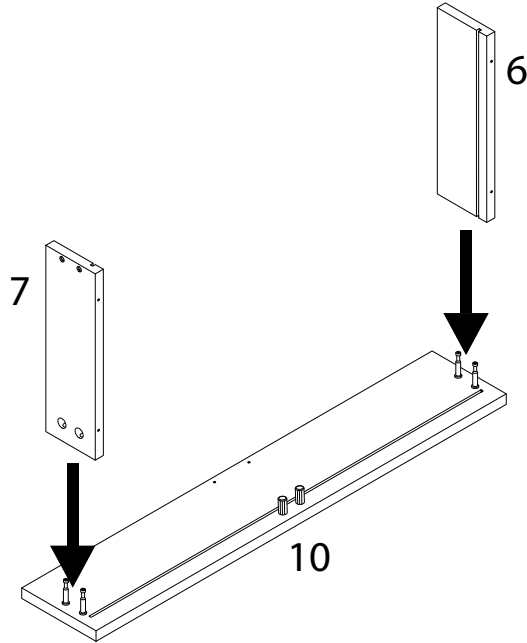
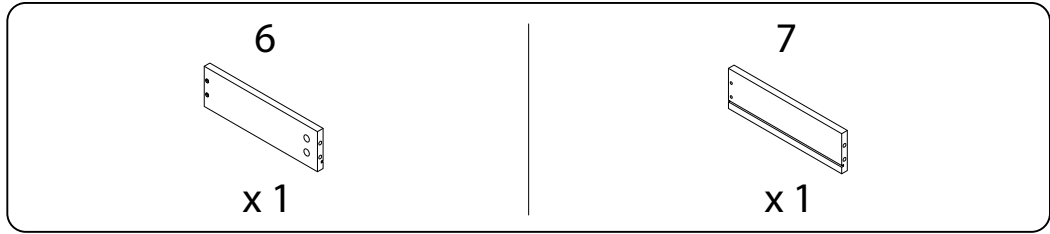
13



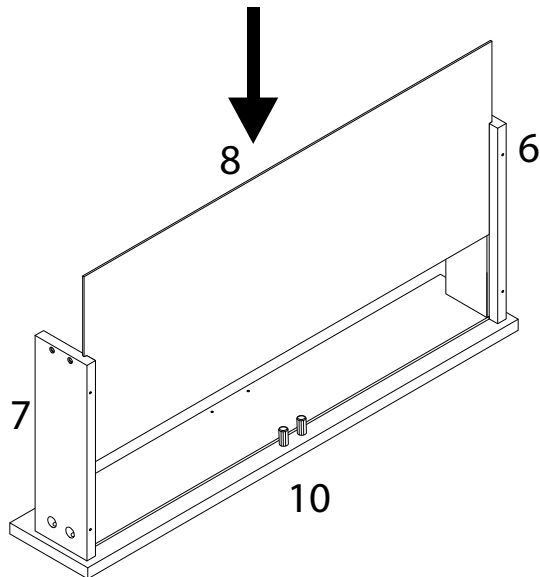
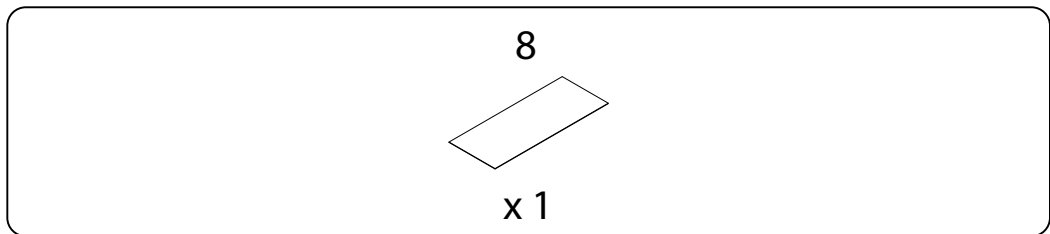
14



15

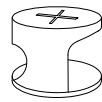


16

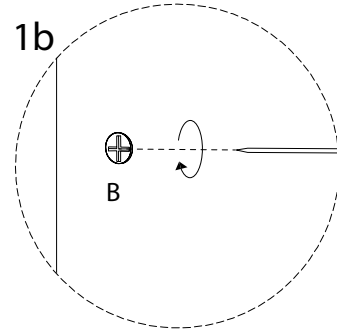
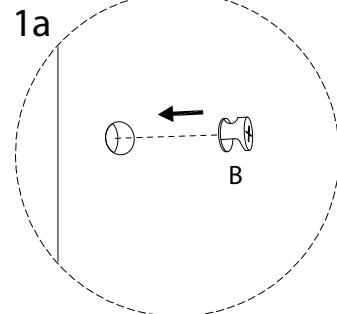
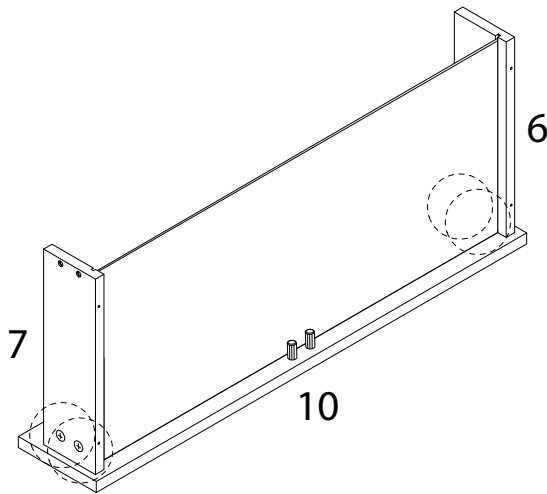


17

B

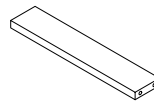


x 4

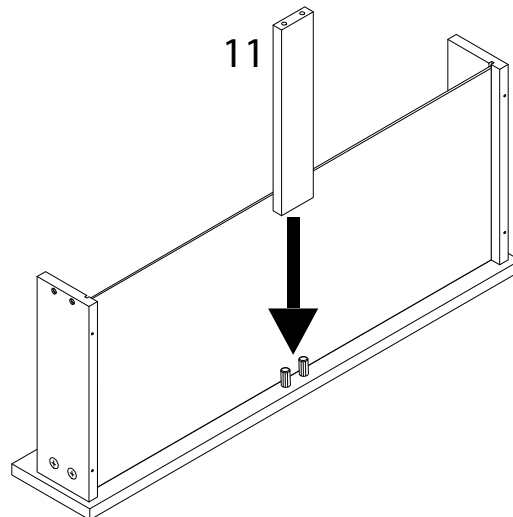


18

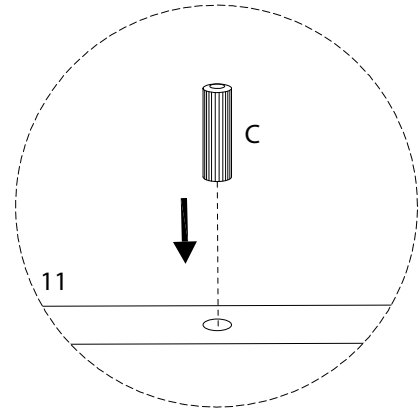
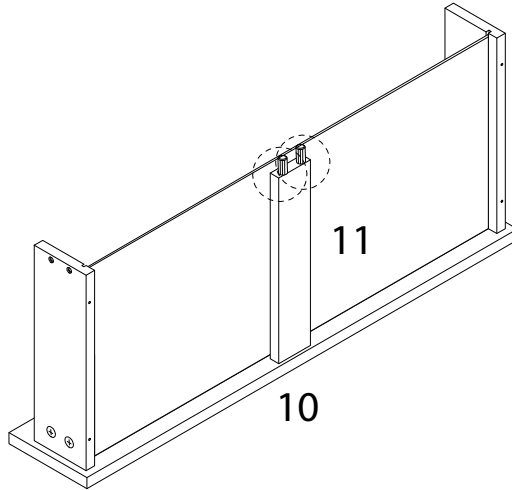
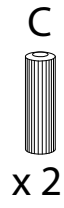
11



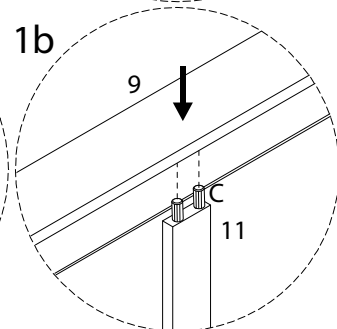
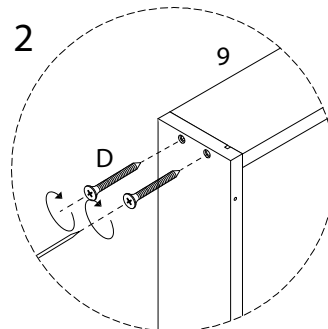
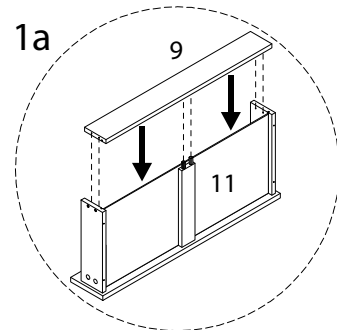
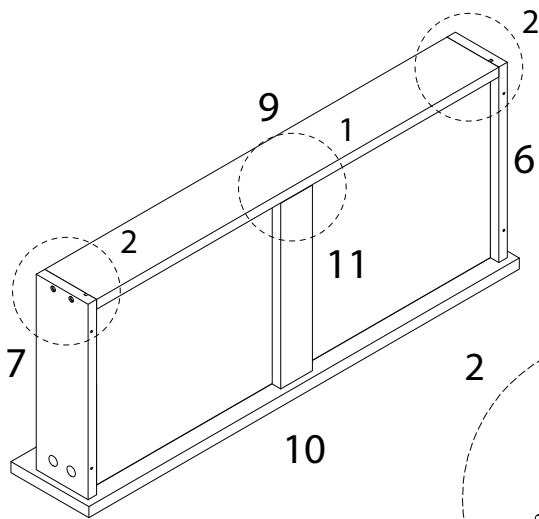
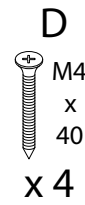
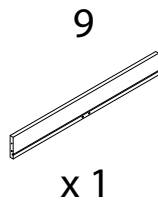
x 1



19



20



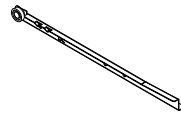
21

G



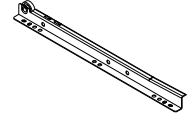
x 4

DL

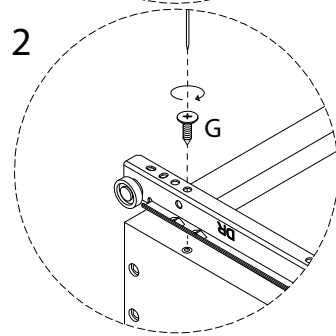
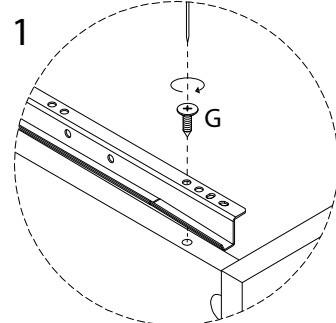
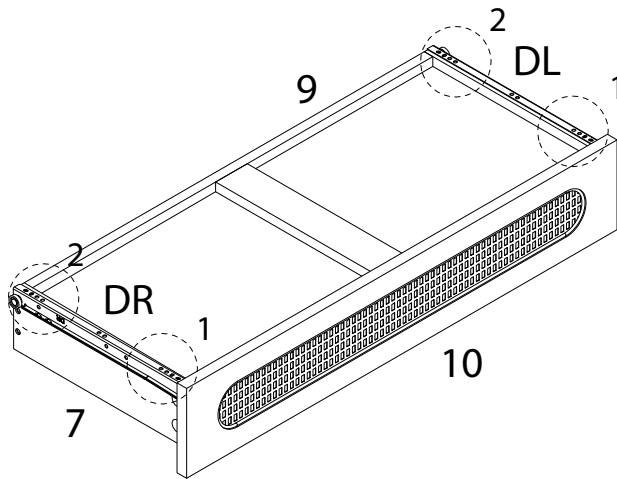


x 1

DR

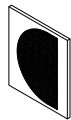


x 1



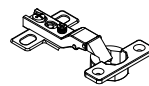
22 x 2

12



x 1

E

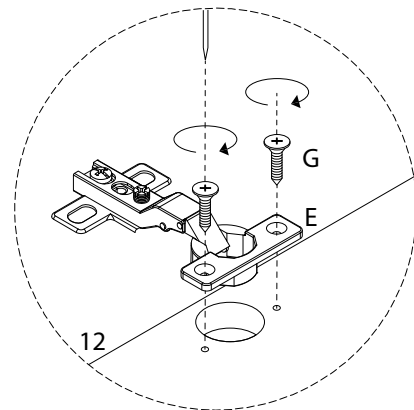
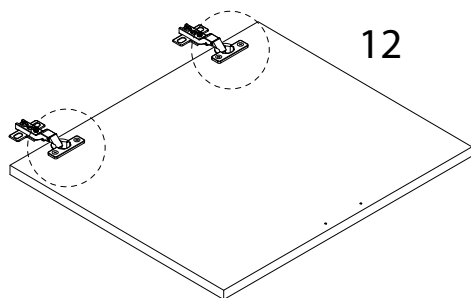


x 2

G

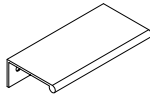


x 4



23 x 2

F

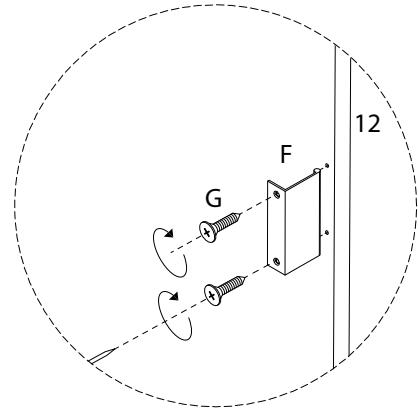
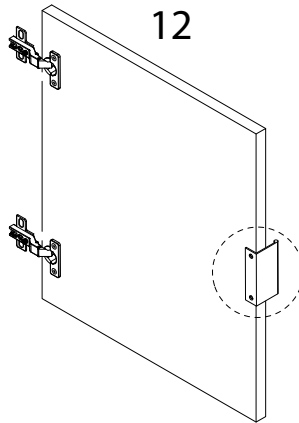


x 1

G

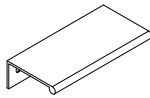


x 2



24

F

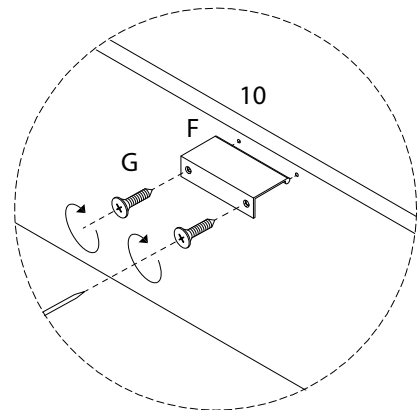
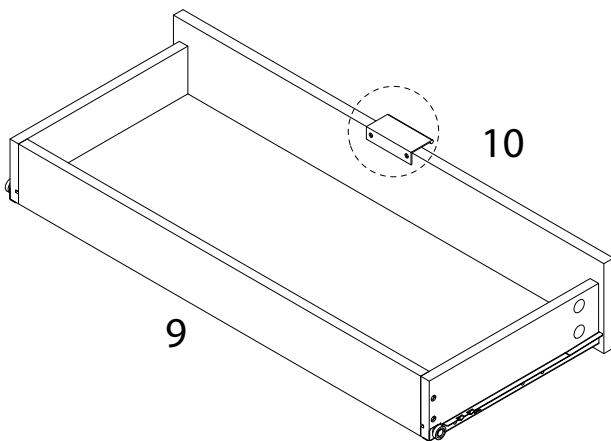


x 1

G



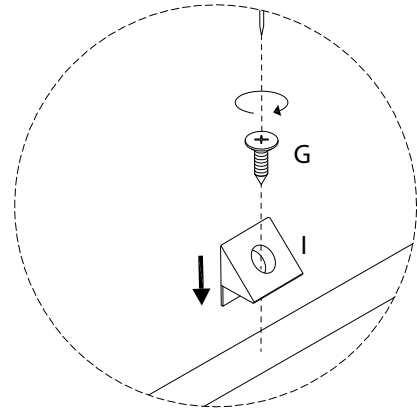
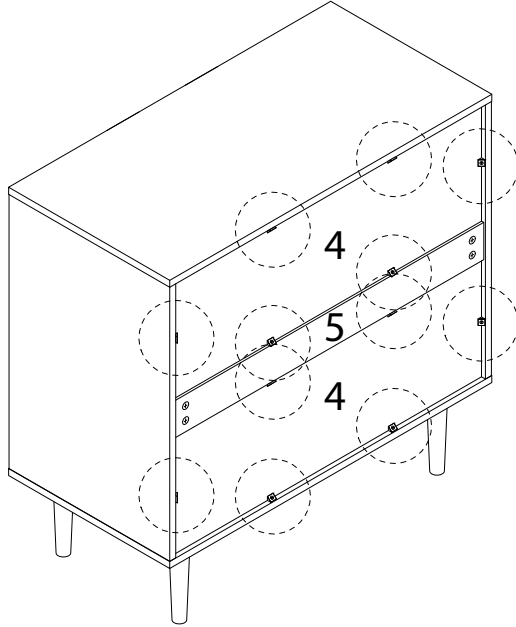
x 2



25

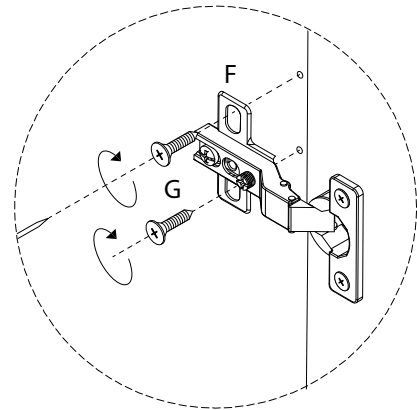
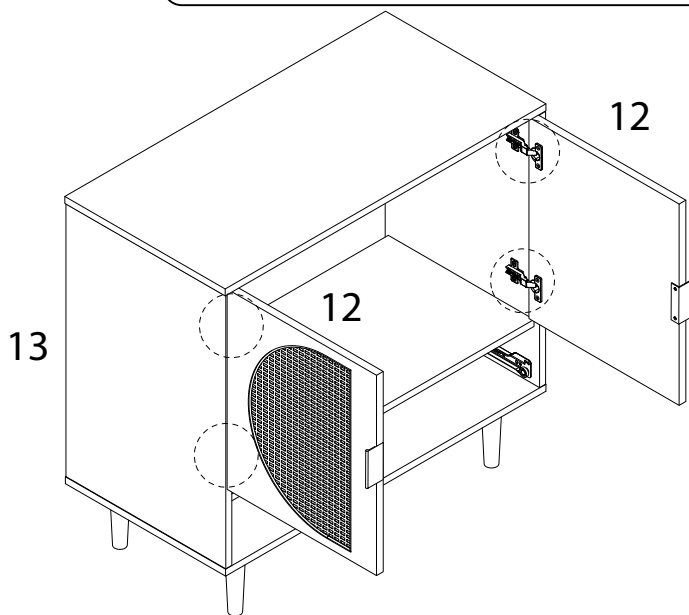
G
M3
x
14
x 12

I
x 12

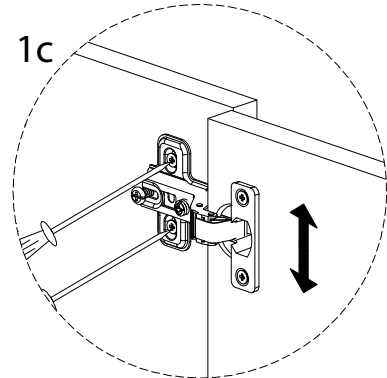
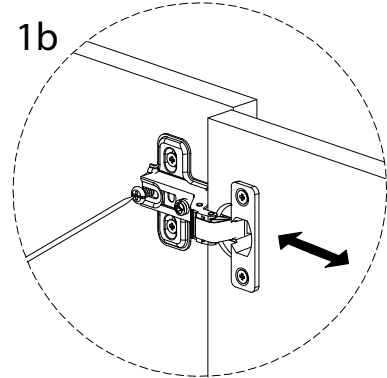
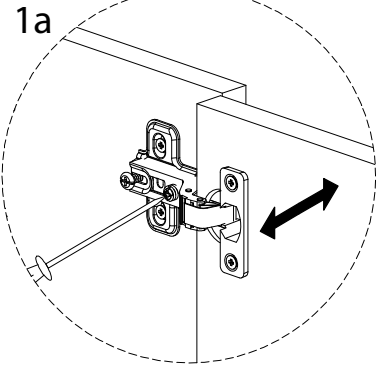
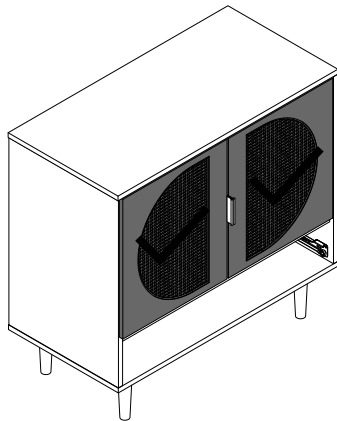
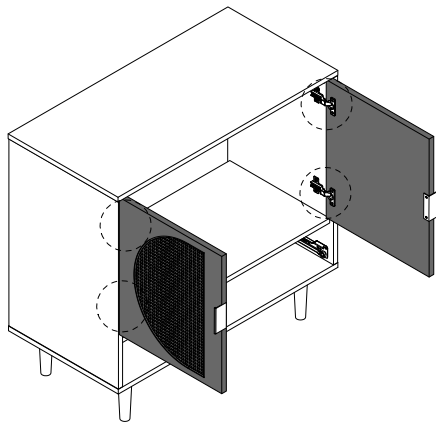
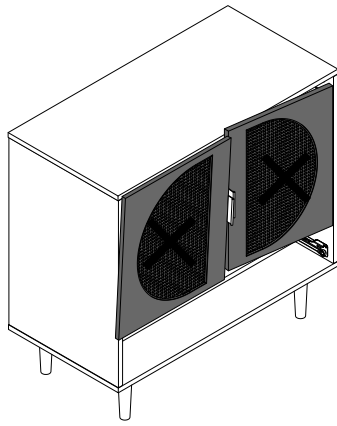


26

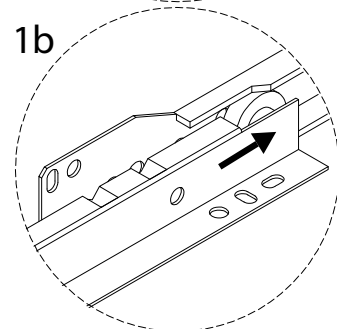
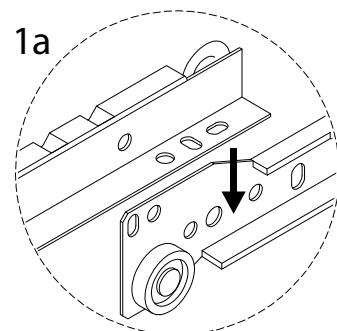
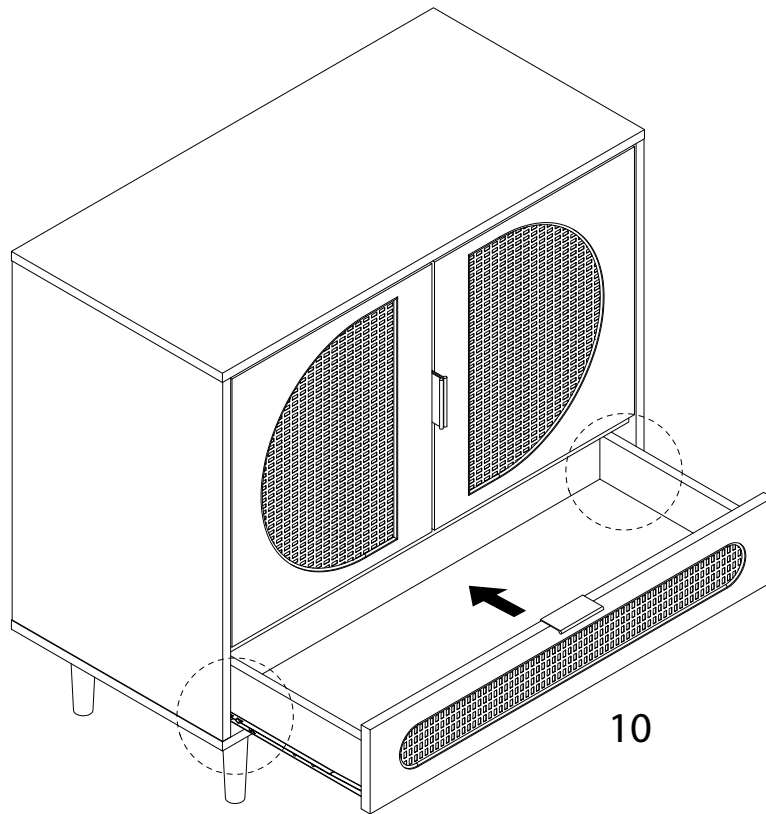
G
M3
x
14
x 8



!



27



28

