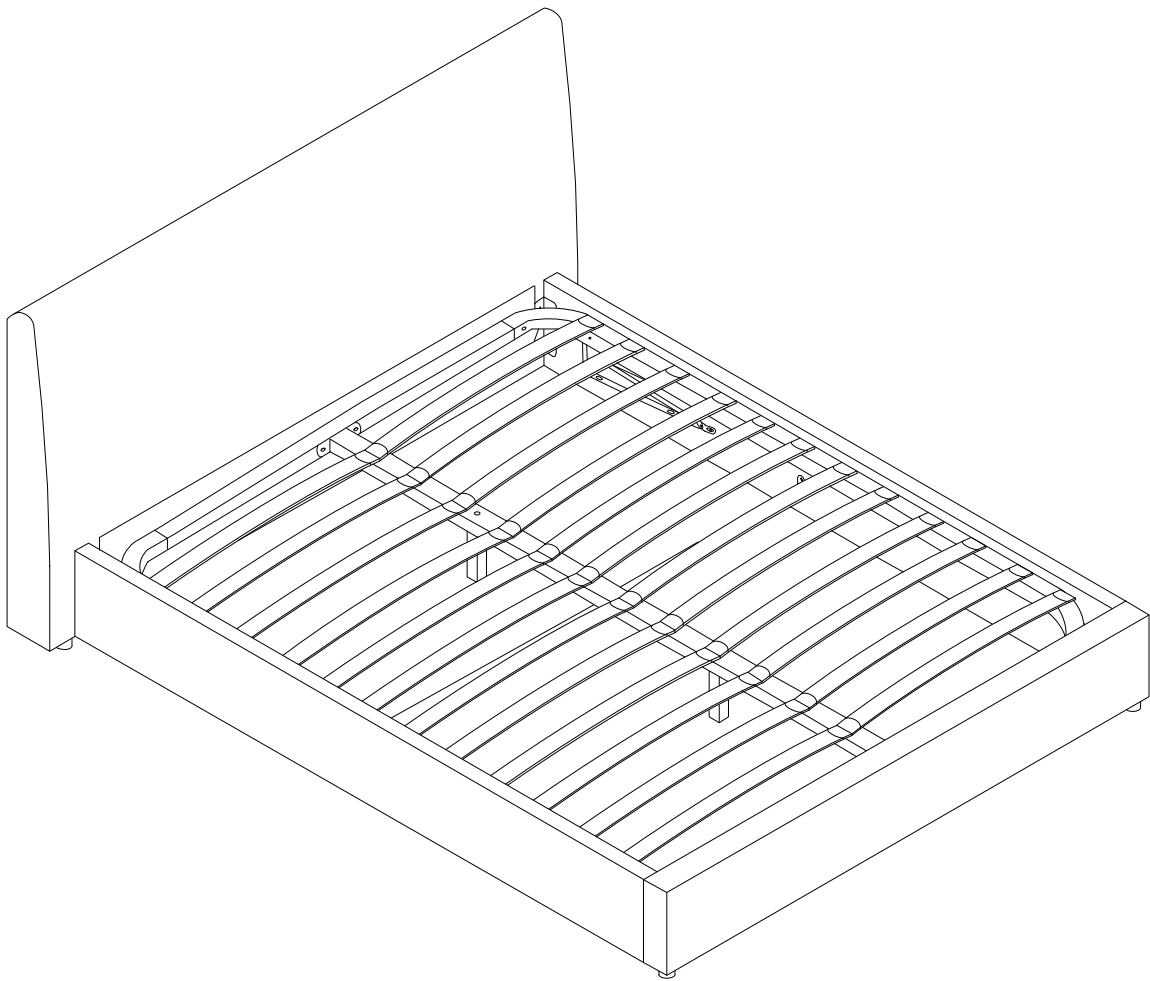
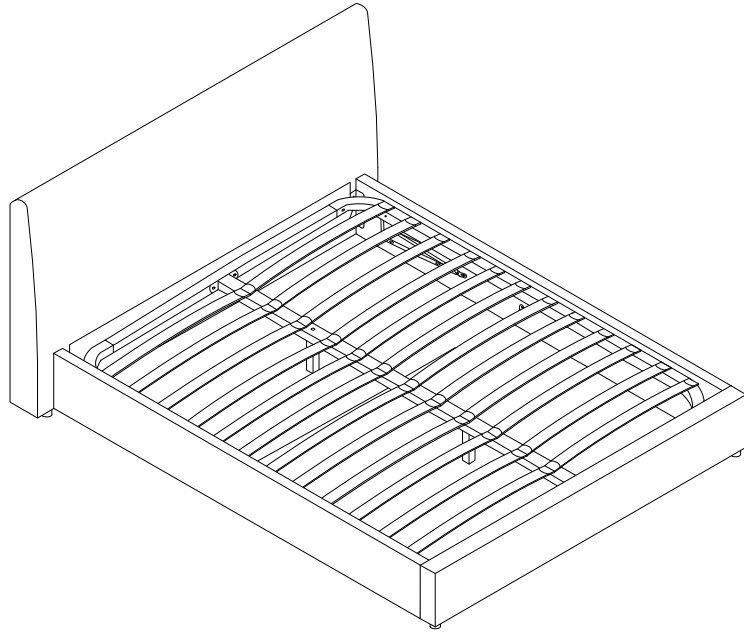
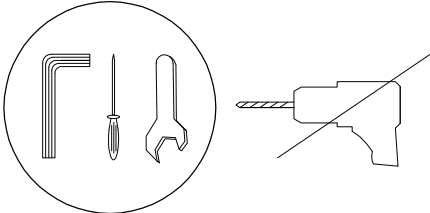

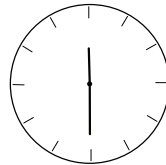
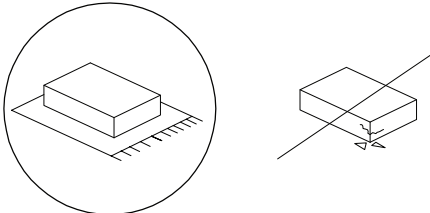


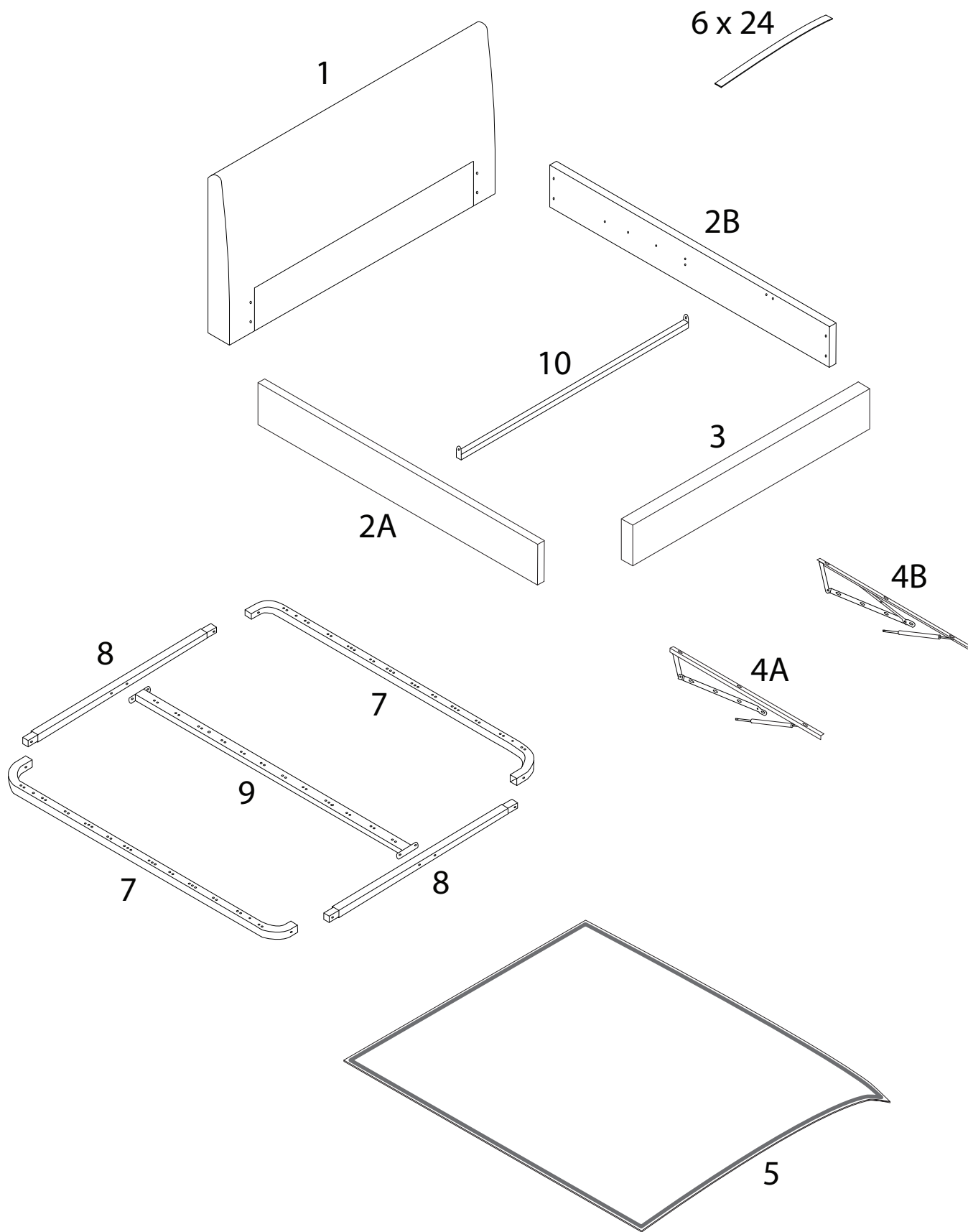


LAVOUR

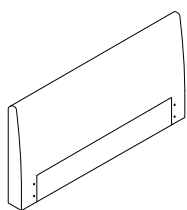




		
		<p>30'</p>
		
		<p>2</p>

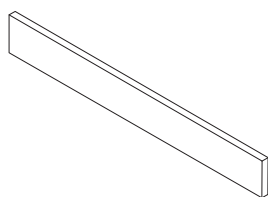


1



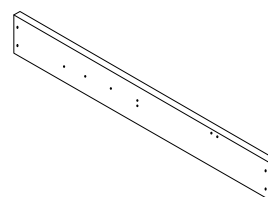
x 1

2A



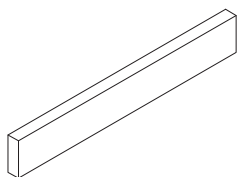
x 1

2B



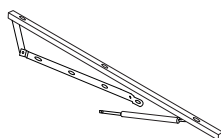
x 1

3



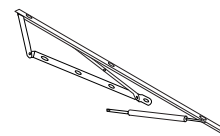
x 1

4A



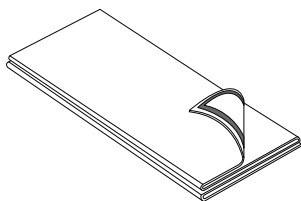
x 1

4B



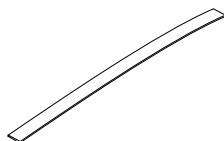
x 1

5



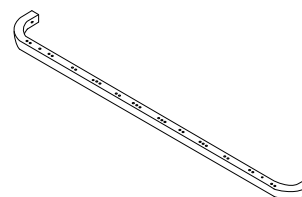
x 1

6



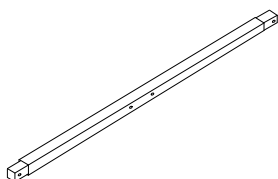
x 24

7



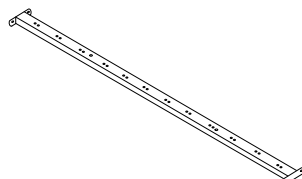
x 2

8



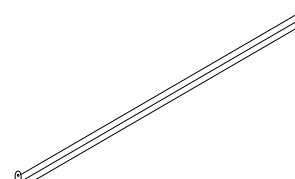
x 2

9



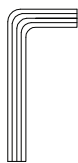
x 1

10



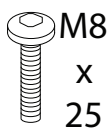
x 1

A



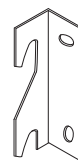
x 1

B



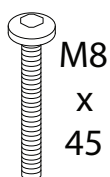
x 24

C



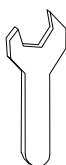
x 4

D



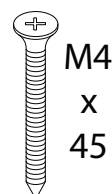
x 16

E



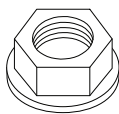
x 1

F



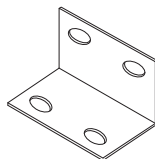
x 4

G



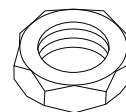
x 14

H



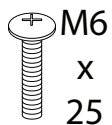
x 4

I



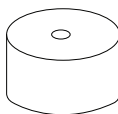
x 2

J



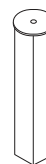
x 10

K



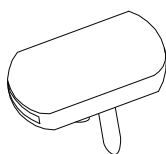
x 4

L



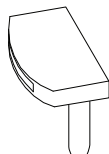
x 2

M



x 12

N



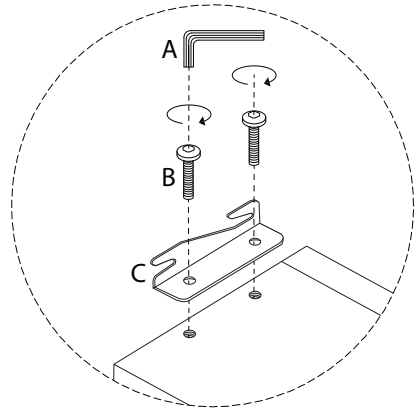
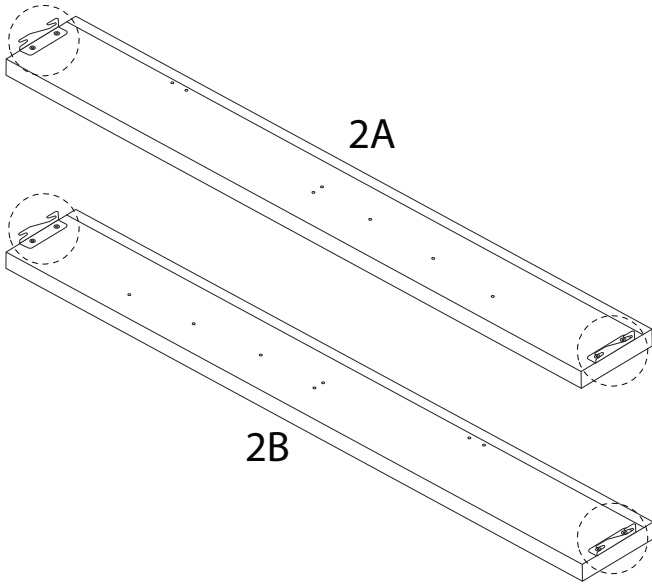
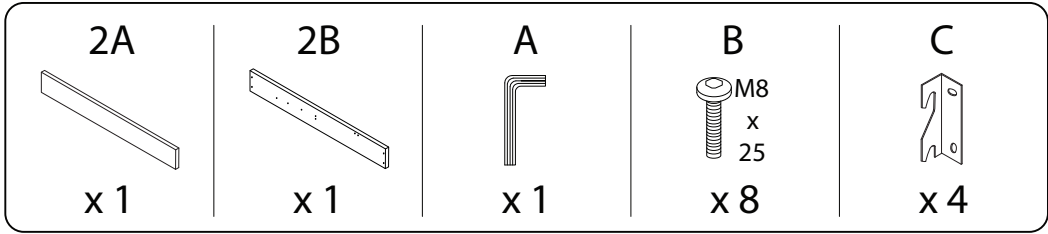
x 24

O

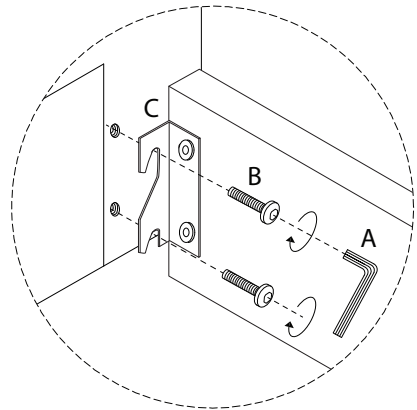
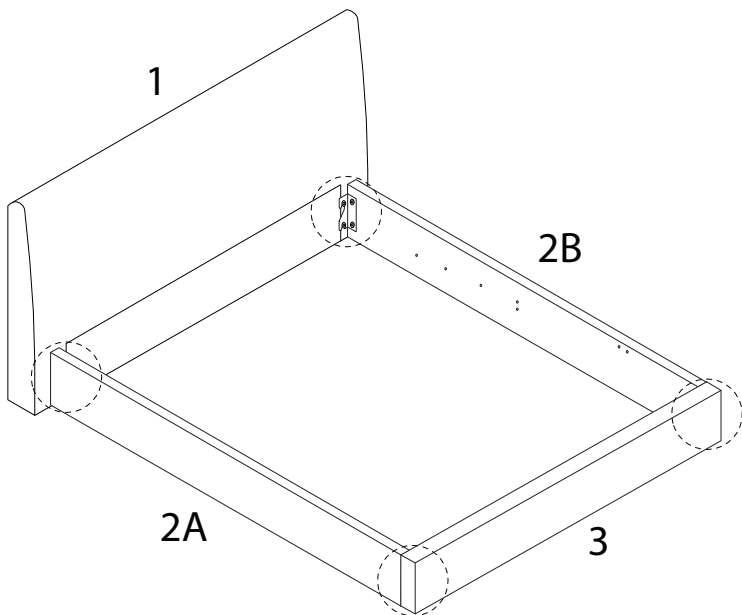
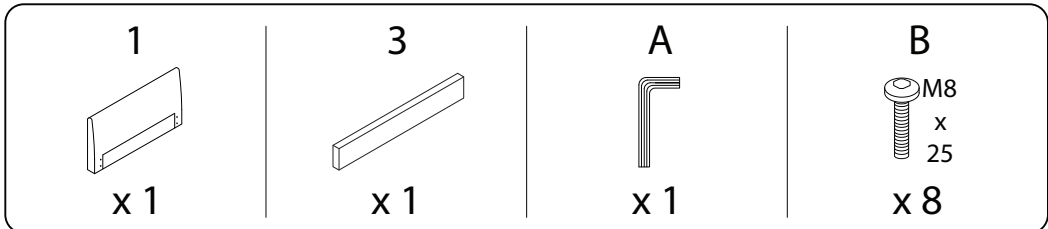


x 1

1

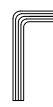


2



3

A



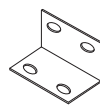
x 1

B

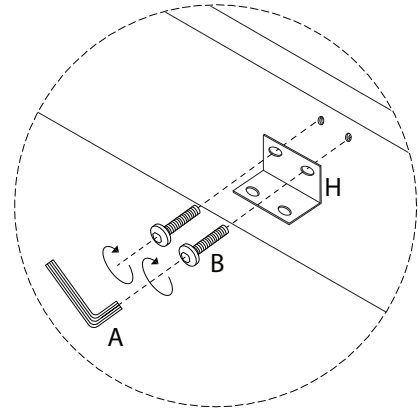
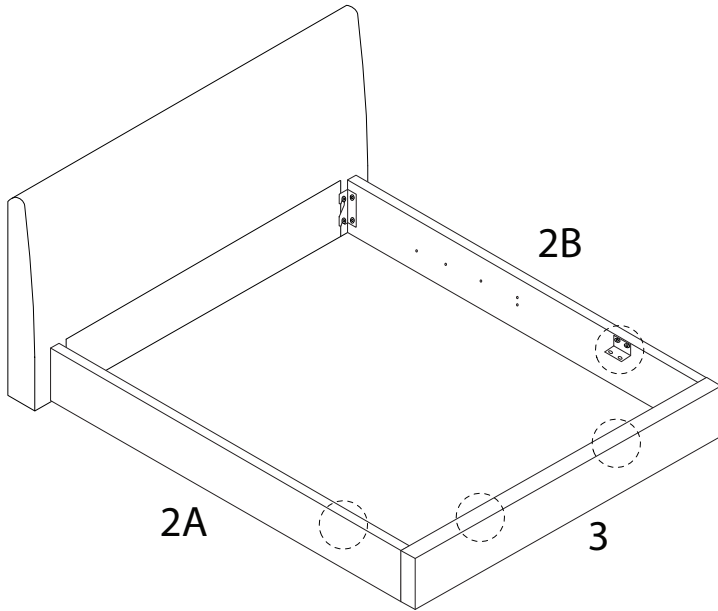


x 8

H

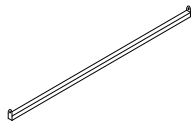


x 4



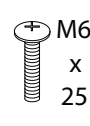
4

10

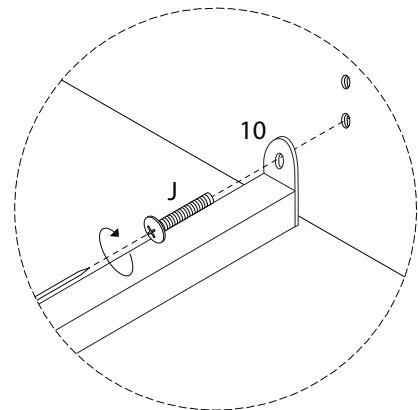
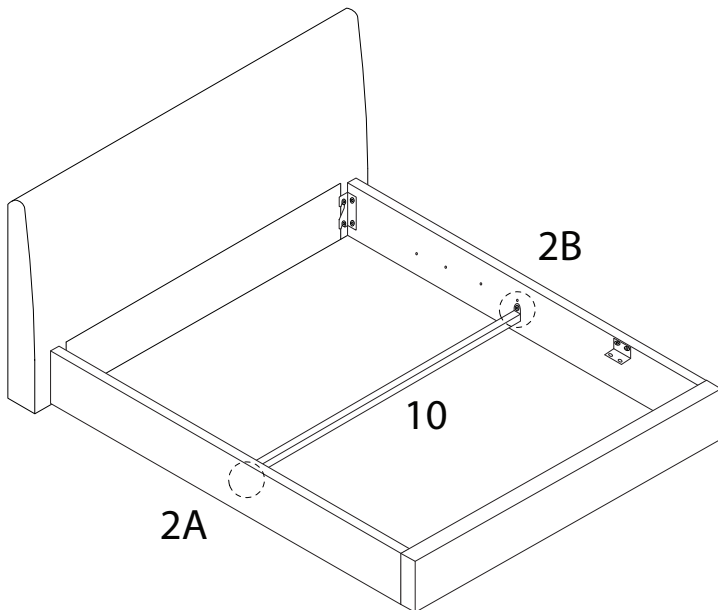


x 1

J

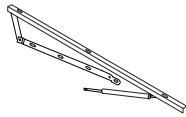


x 2



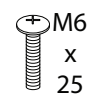
5

4A

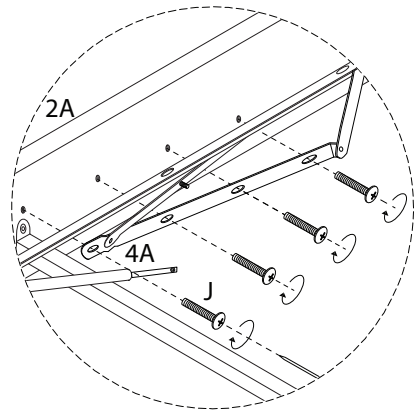
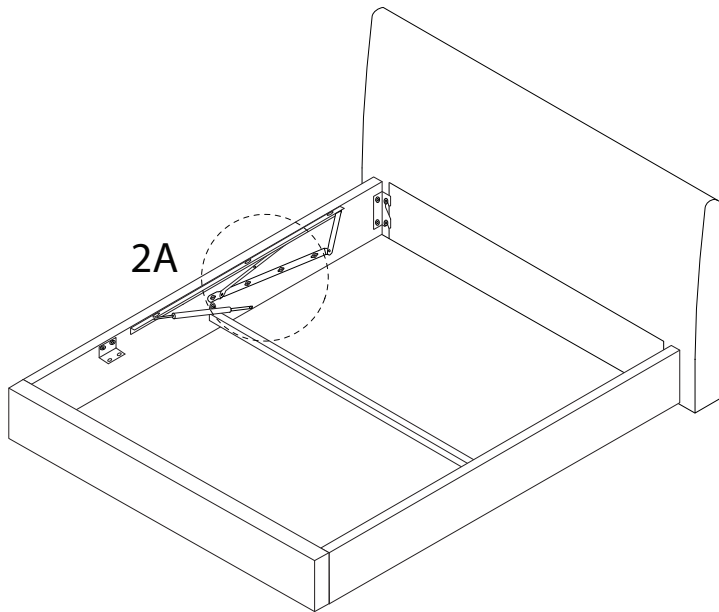


x 1

J

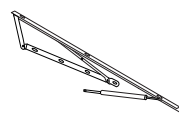


x 4



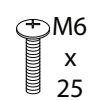
6

4B

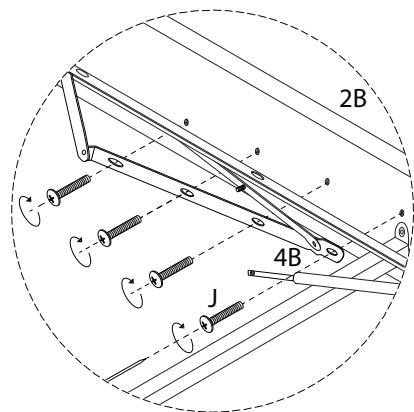
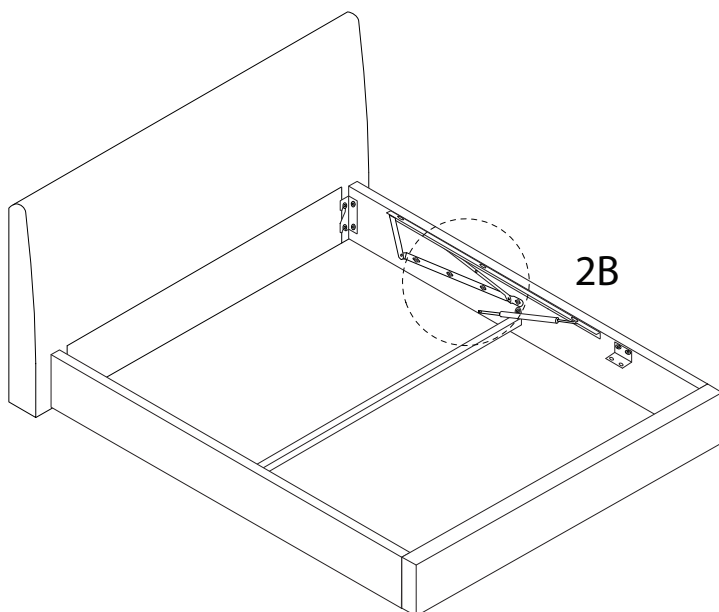


x 1

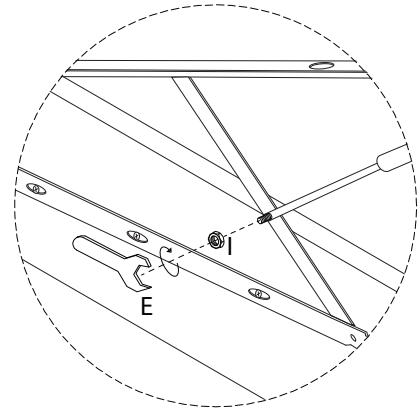
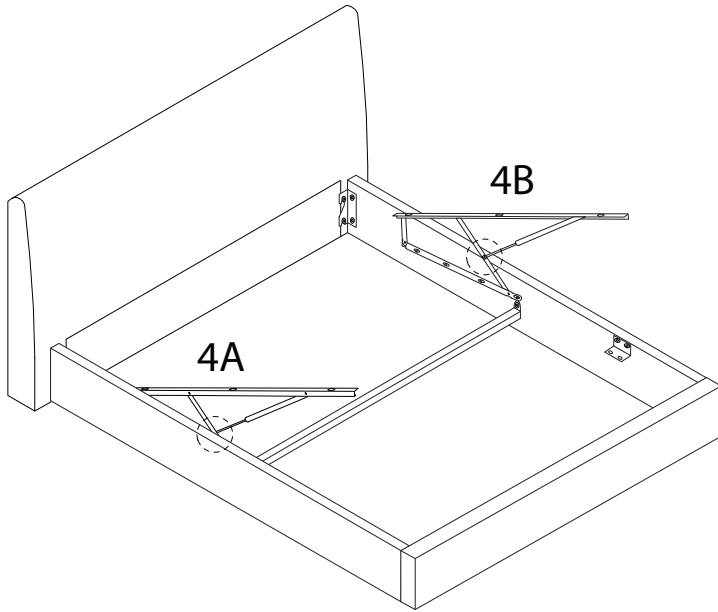
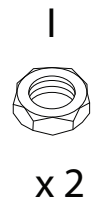
J



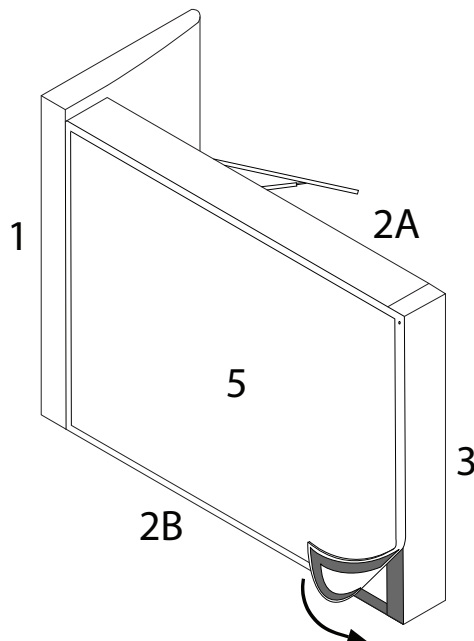
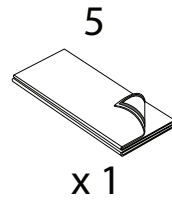
x 4



7



8

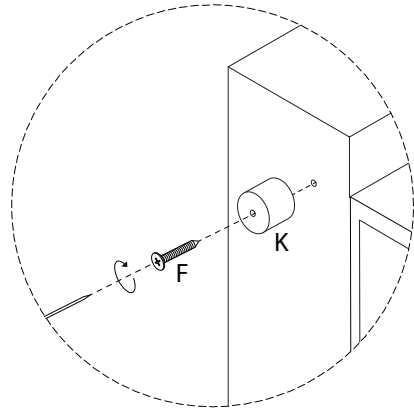
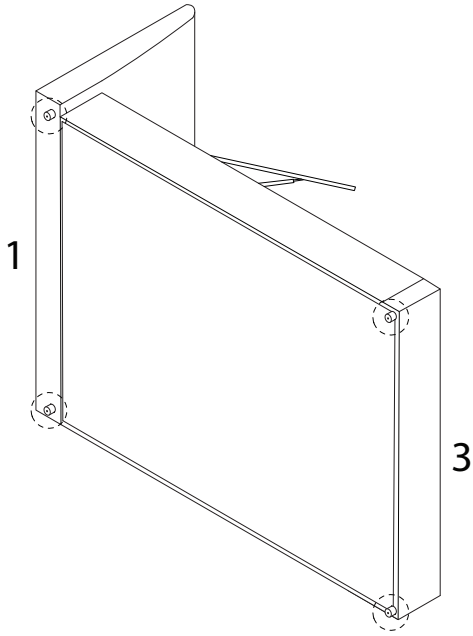


9

F
M4
x
45
x 4

K

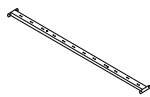
x 4



10



9



x 1

A



x 1

D



M8
x
45
x 4

E

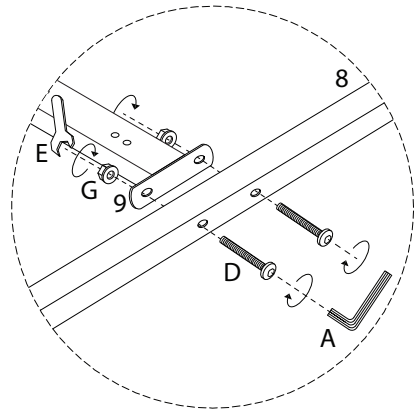
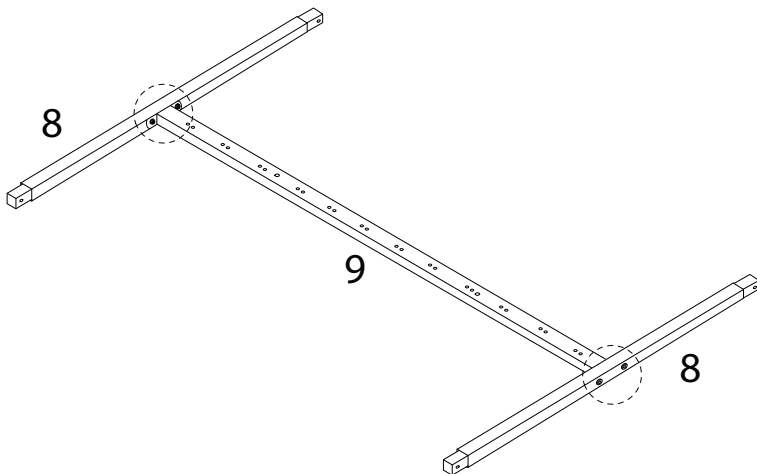


x 1

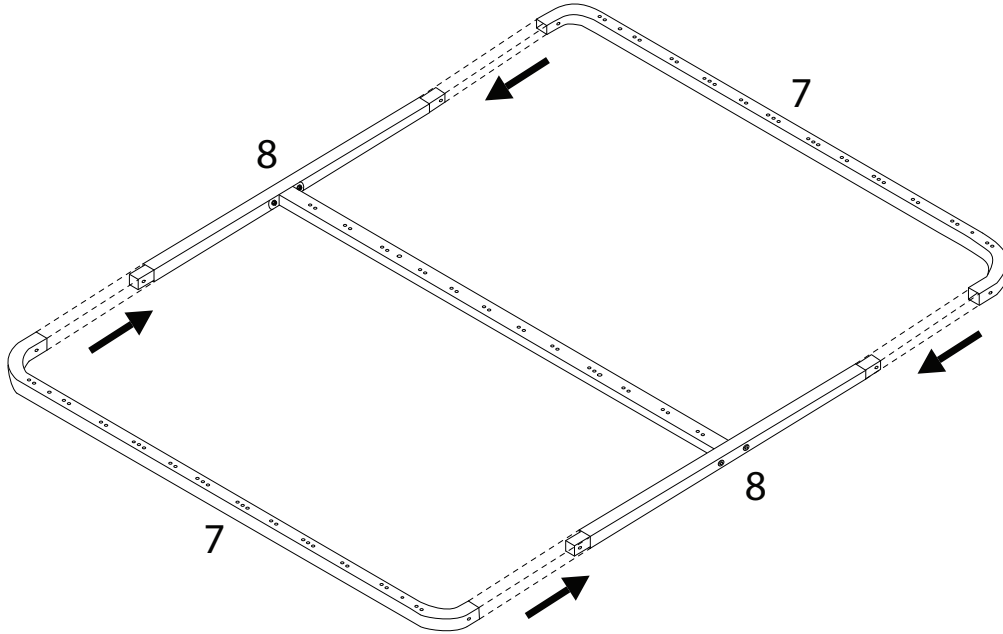
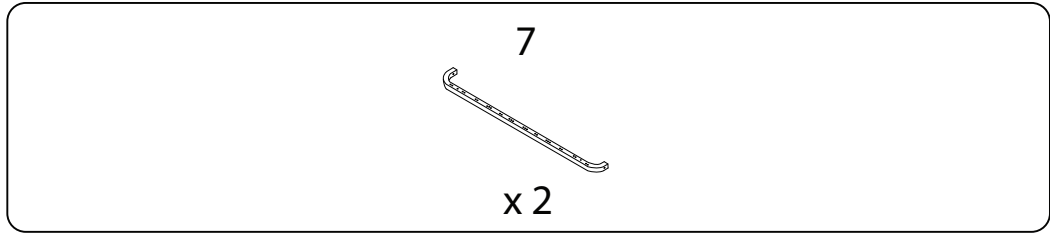
G



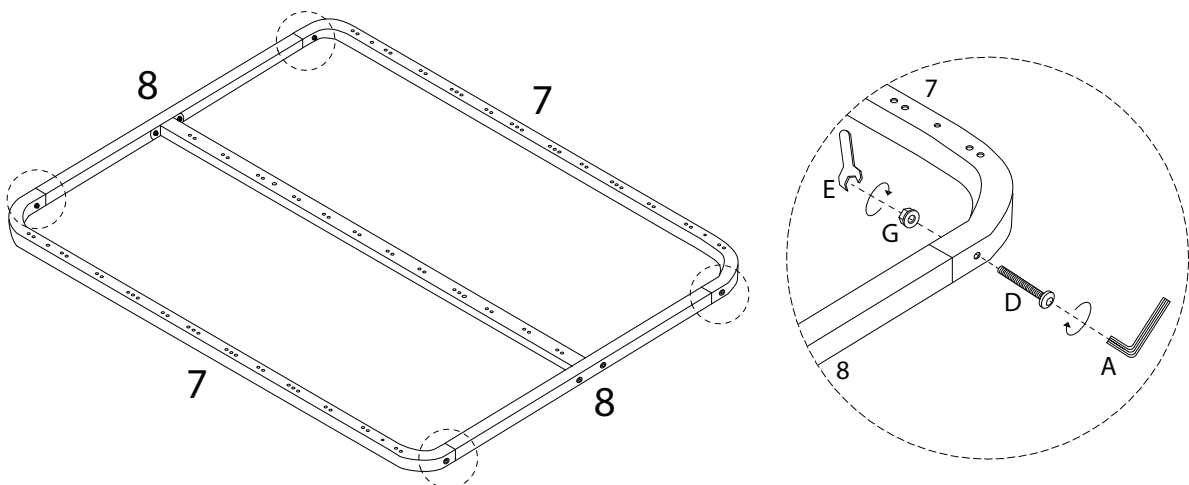
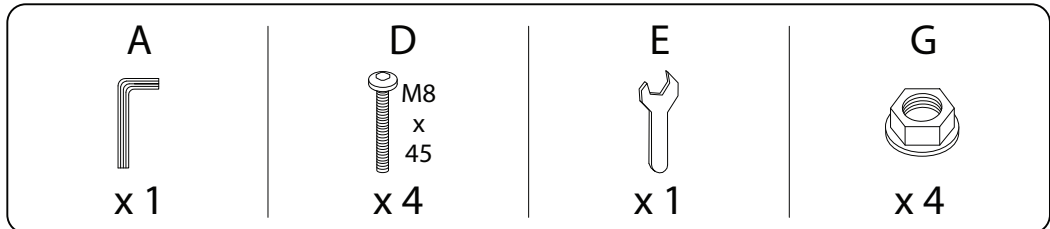
x 4



11

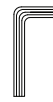


12



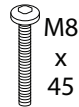
13

A



x 1

D

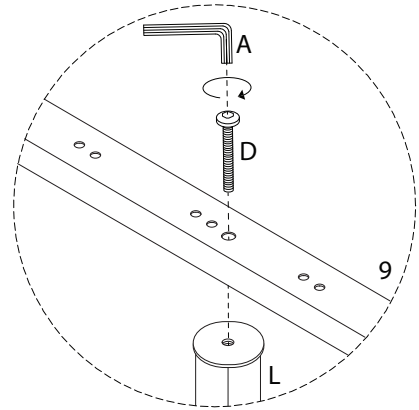
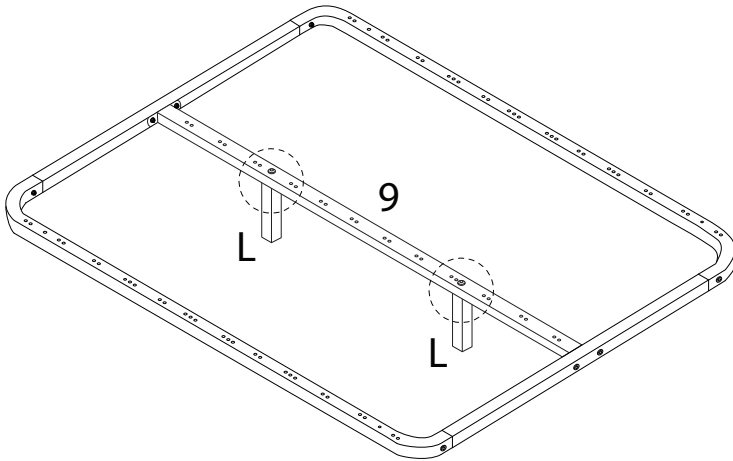


x 2

L

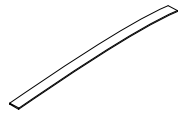


x 2



14

6



x 24

M

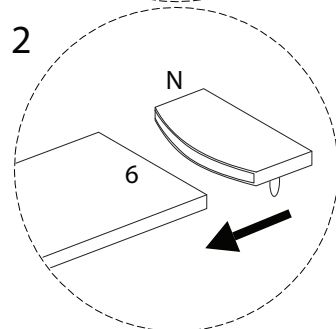
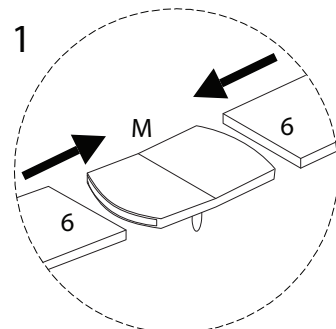
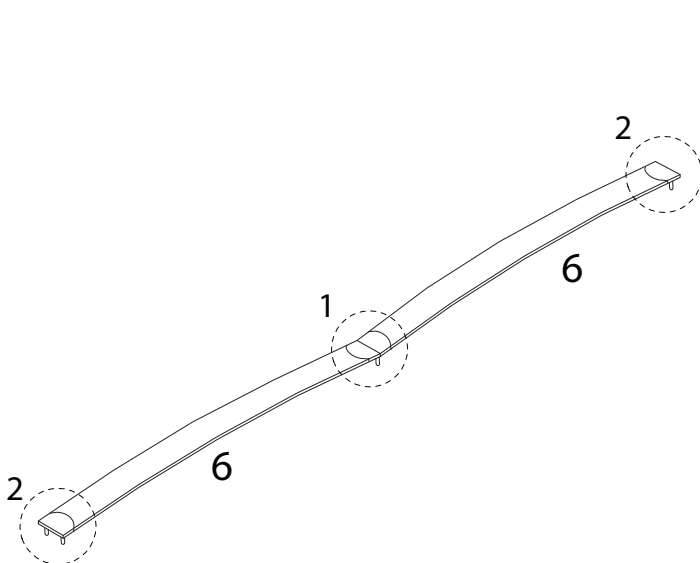


x 24

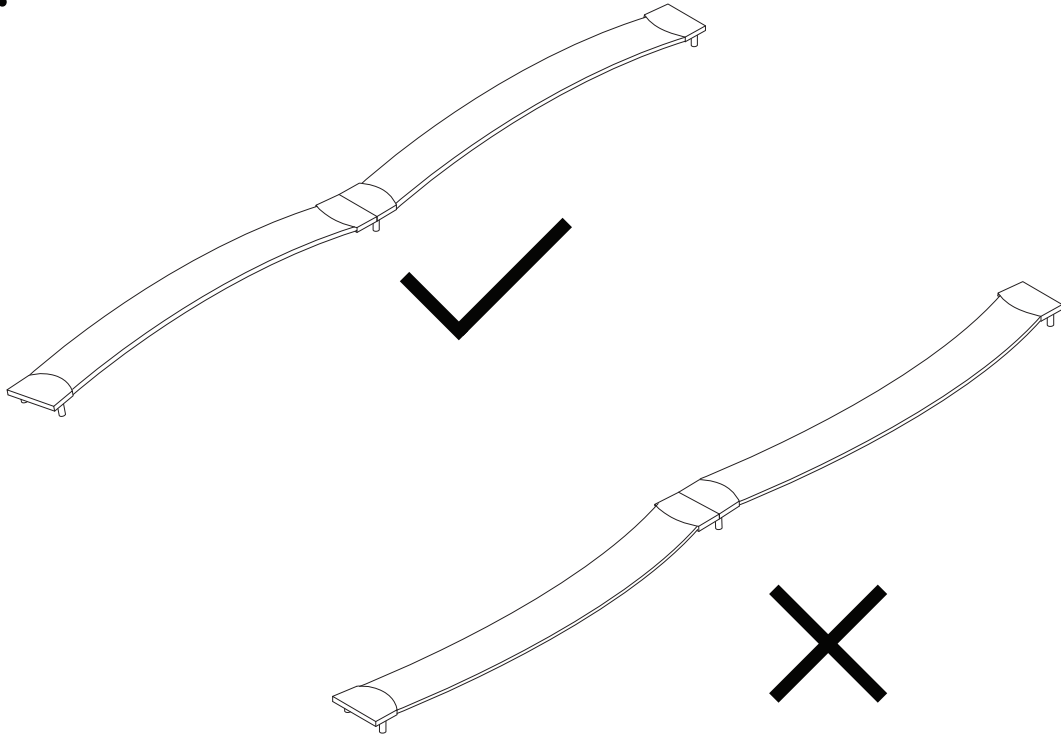
N



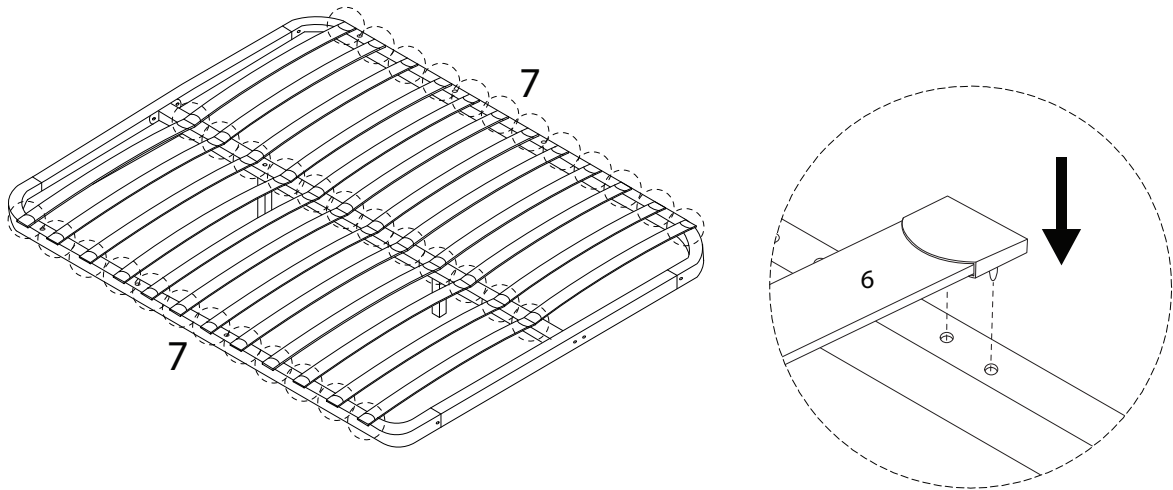
x 12



!

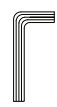


15



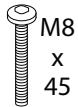
15

A



x 1

D



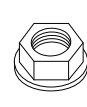
x 6

E

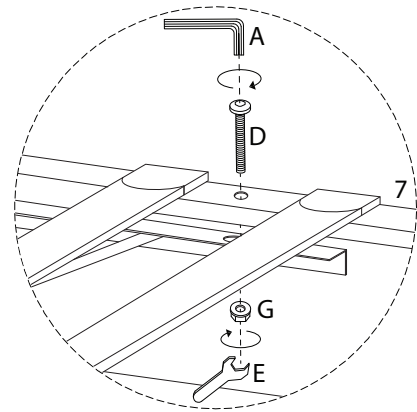
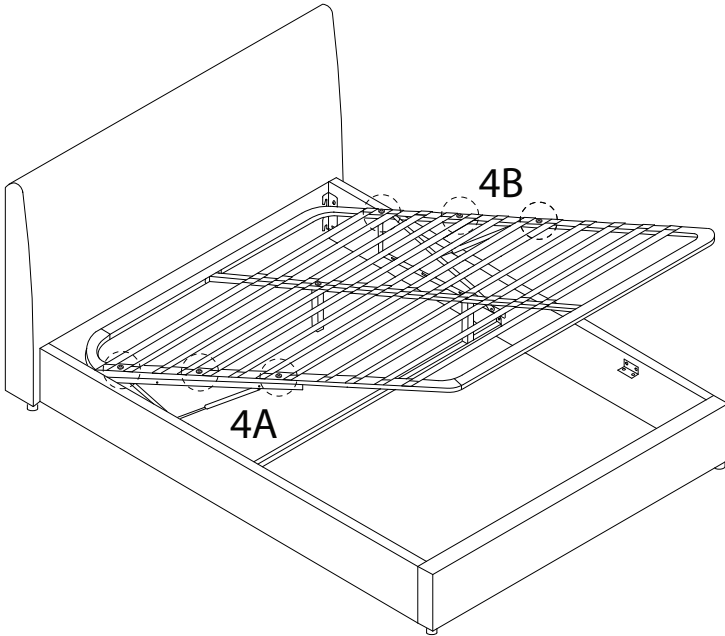


x 1

G



x 6



16

O



x 1

