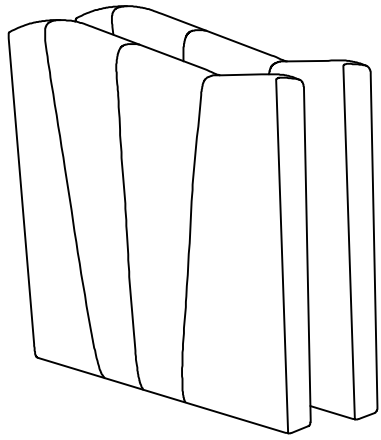
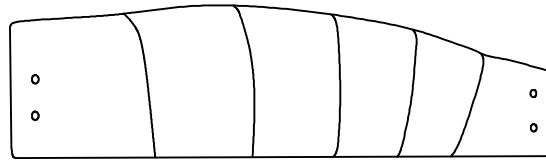


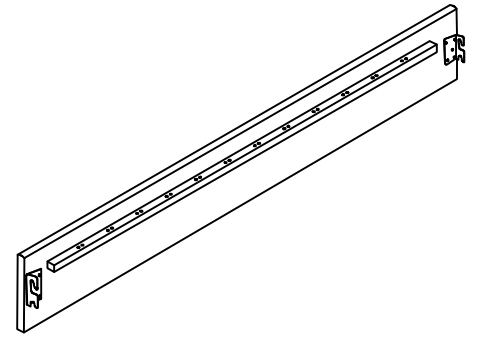
ASSEMBLY INSTRUCTION



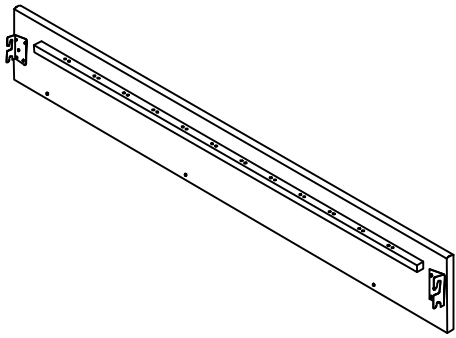
A:x2pcs



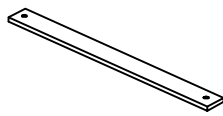
B:x1pc



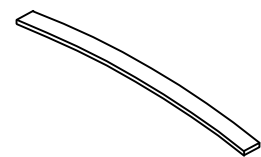
C:x1pc



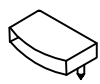
D:x1pc



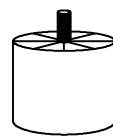
E:x3pcs



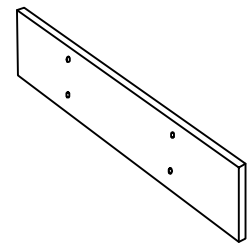
F:x12pcs



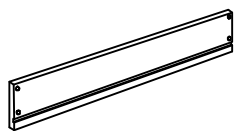
G:x24pcs



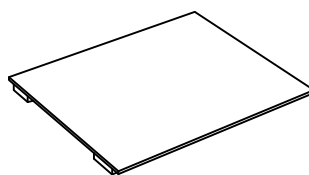
H:x4pcs



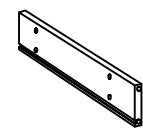
I:x2pcs



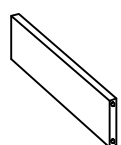
J:x4pcs



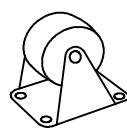
K:x2pcs



L:x2pcs



M:x2pcs



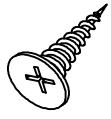
N*8pcs



L=20MM

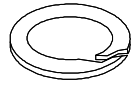
O*32PCS

ASSEMBLY INSTRUCTION

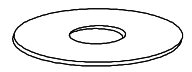


L=25MM

P*24PCS



Q:x18pcs



R:x18pcs



Ø5/16*25

S:x8pc



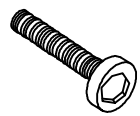
Ø1/4*25

T:x3pc



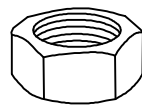
Ø5/16*45

U:x6pcs

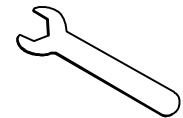


Ø5/16*50

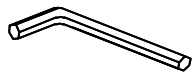
V:x4pcs



W:x6pcs



X:x1pc



M6

Y1:x1pc

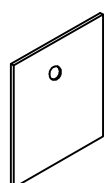


M8

Y2:x1pc



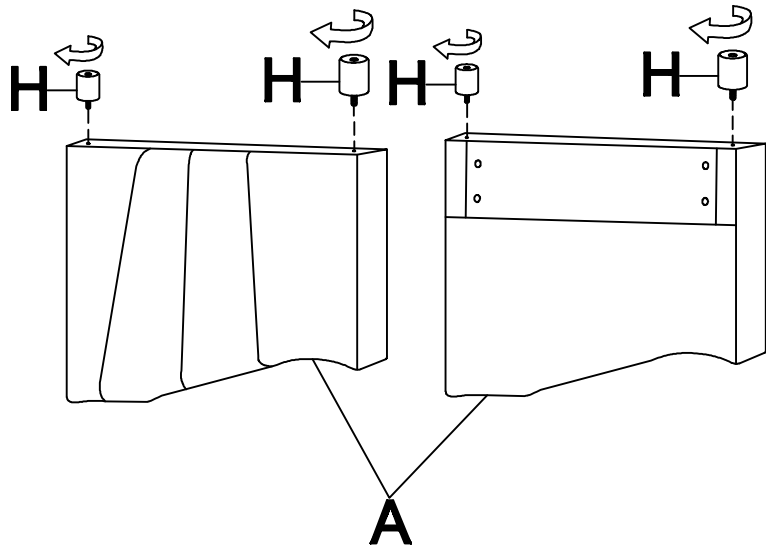
Z:x1pc



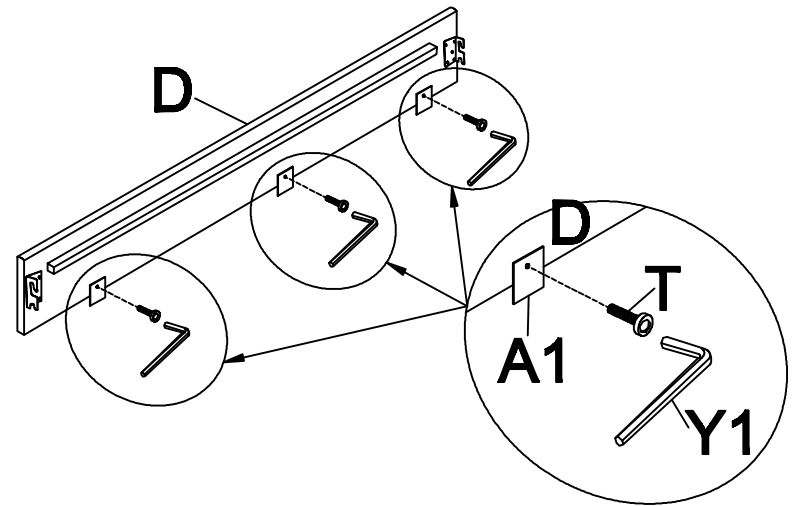
A1:x3pcs

ASSEMBLY INSTRUCTION

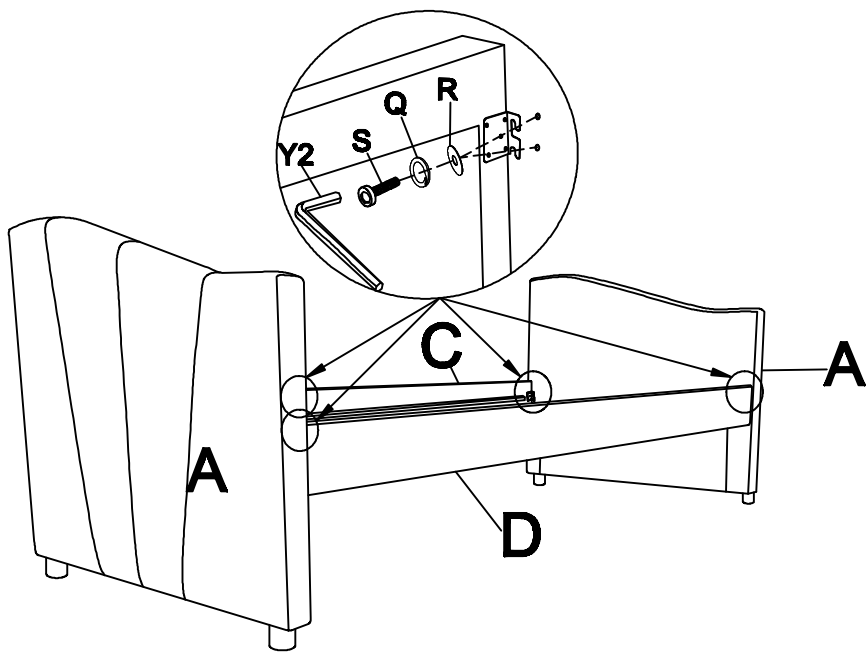
1▷



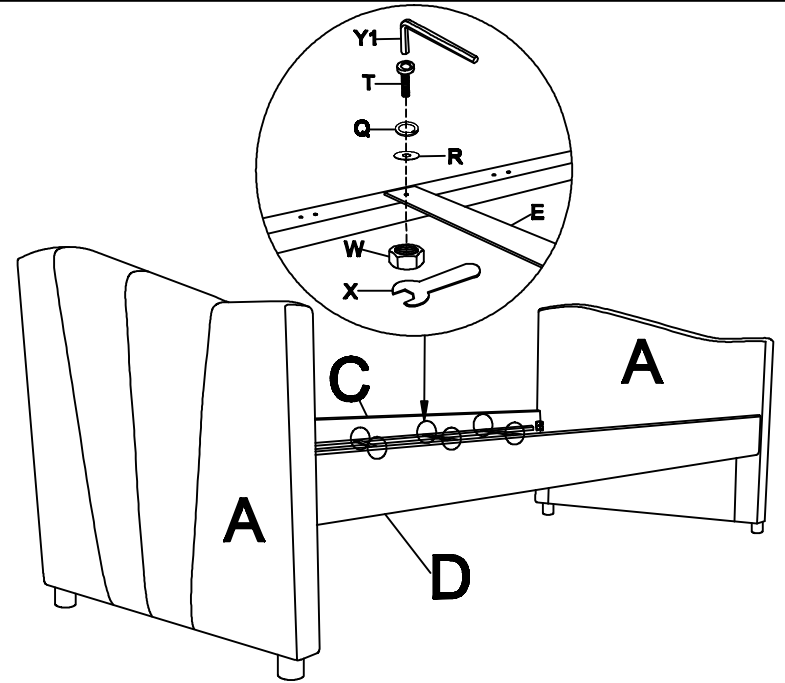
2▷



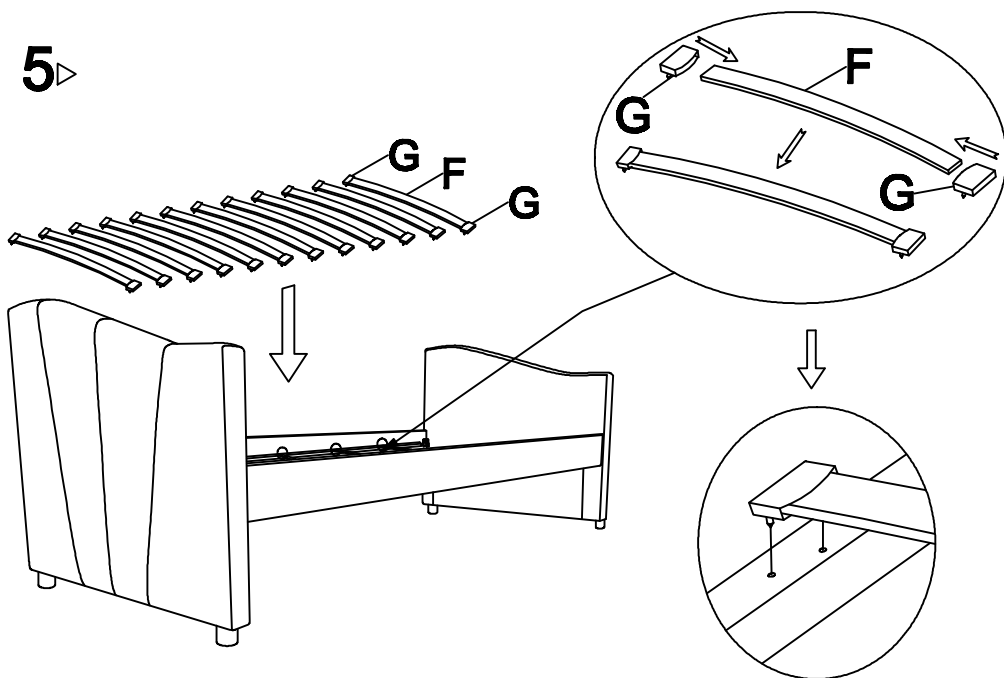
3▷



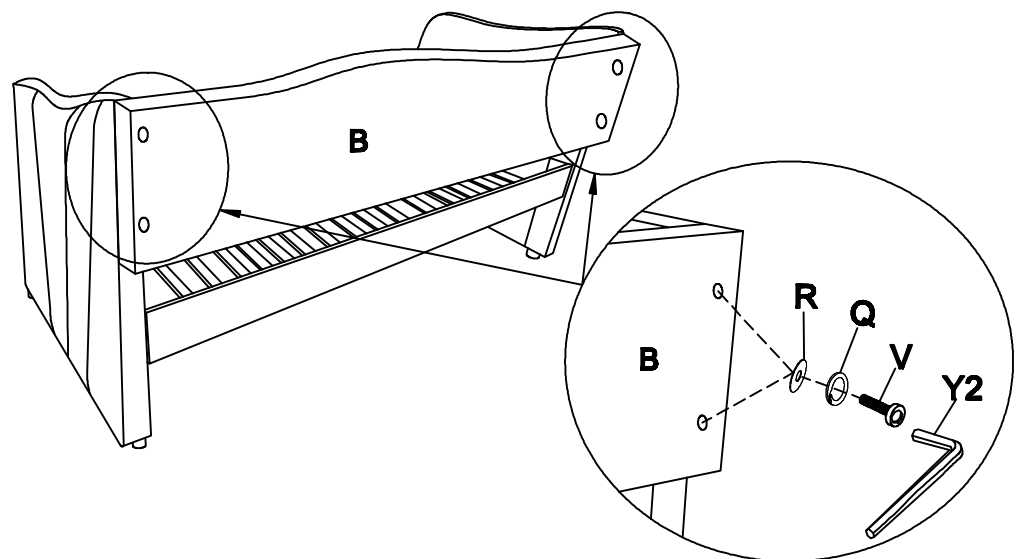
4▷



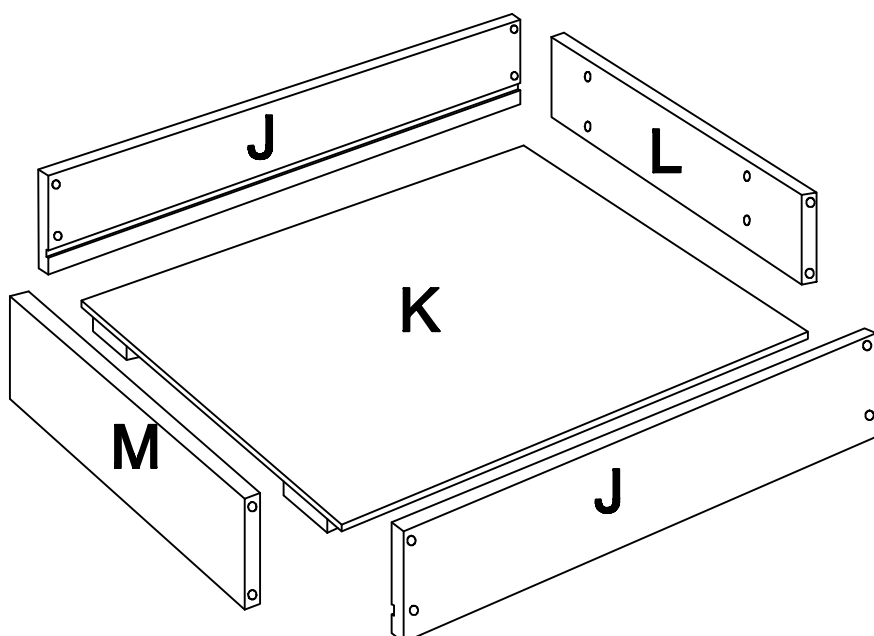
5▷



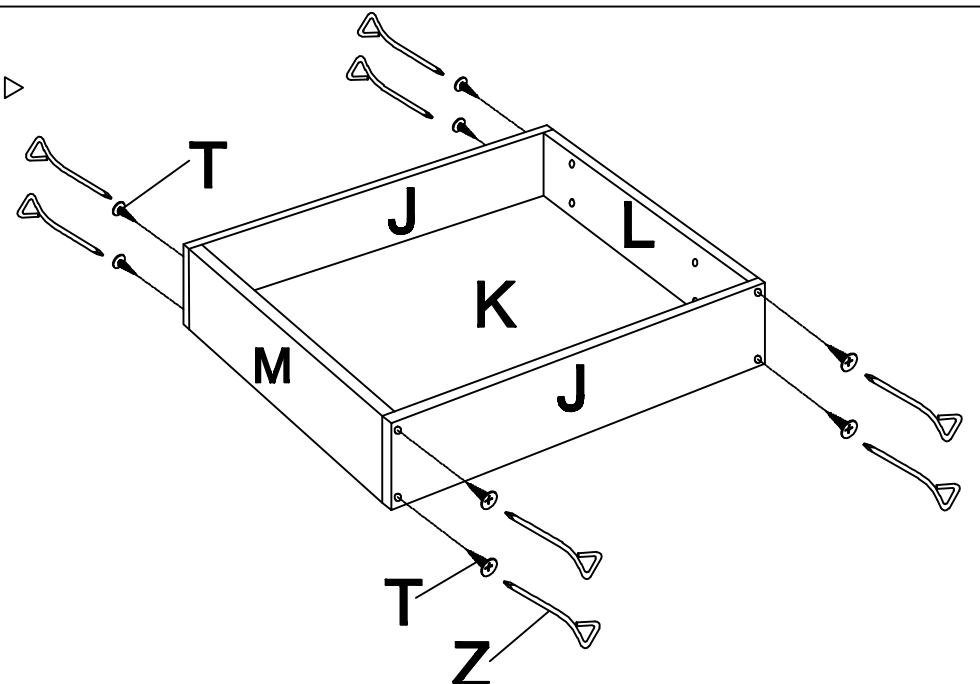
6▷



7▷

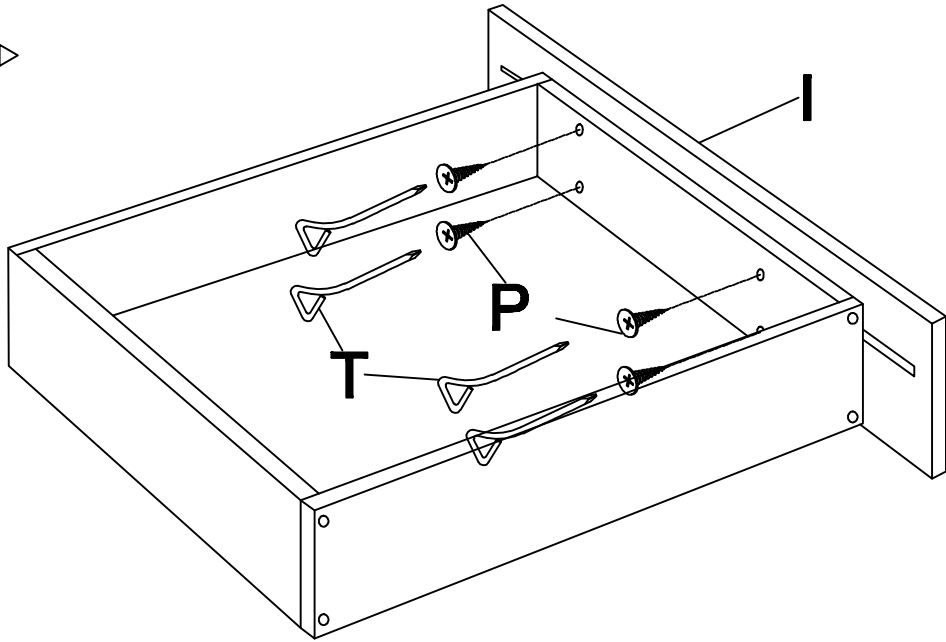


8▷

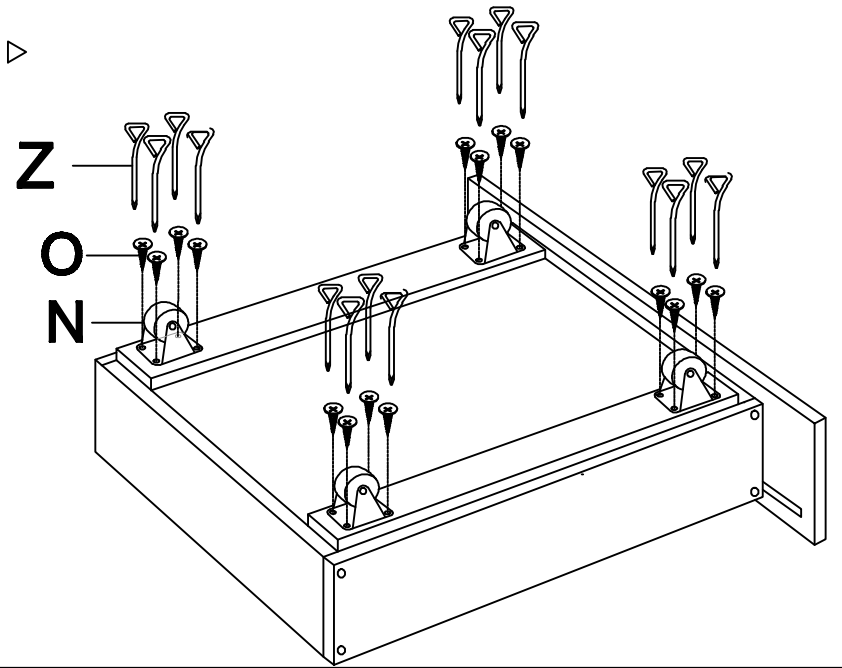


ASSEMBLY INSTRUCTION

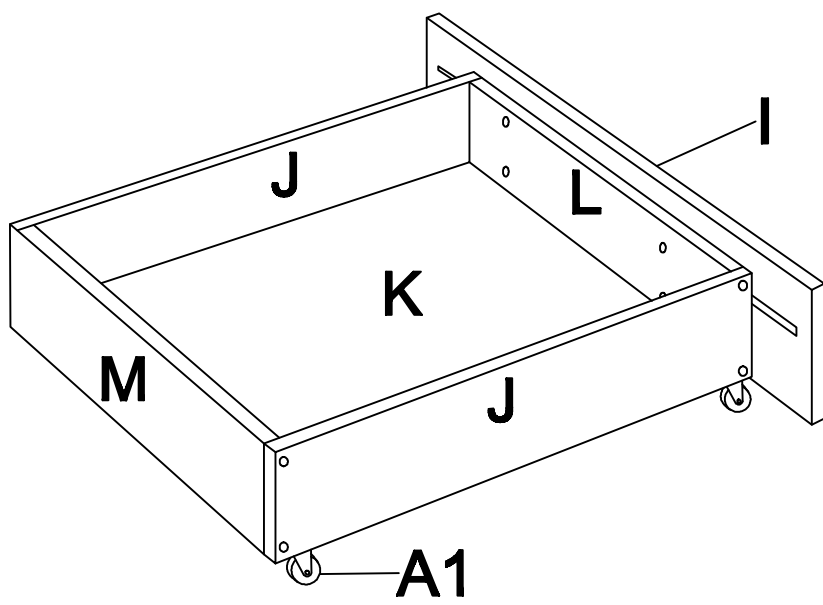
9▷



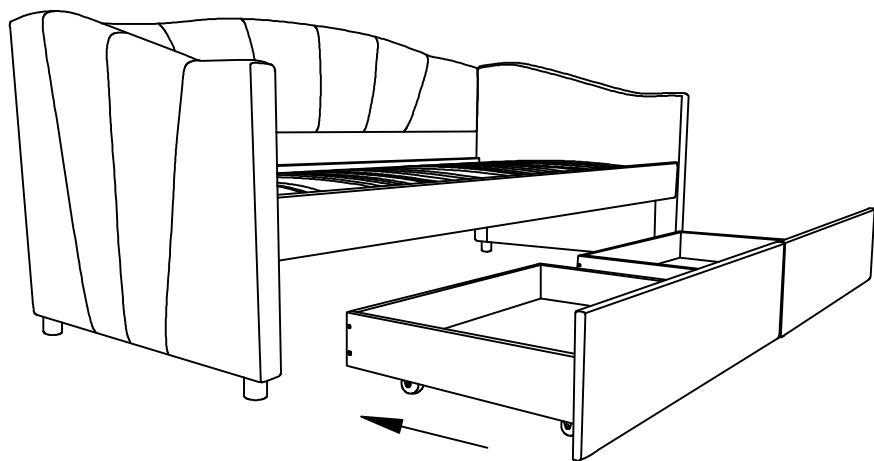
10▷



11▷



12▷



13▷

