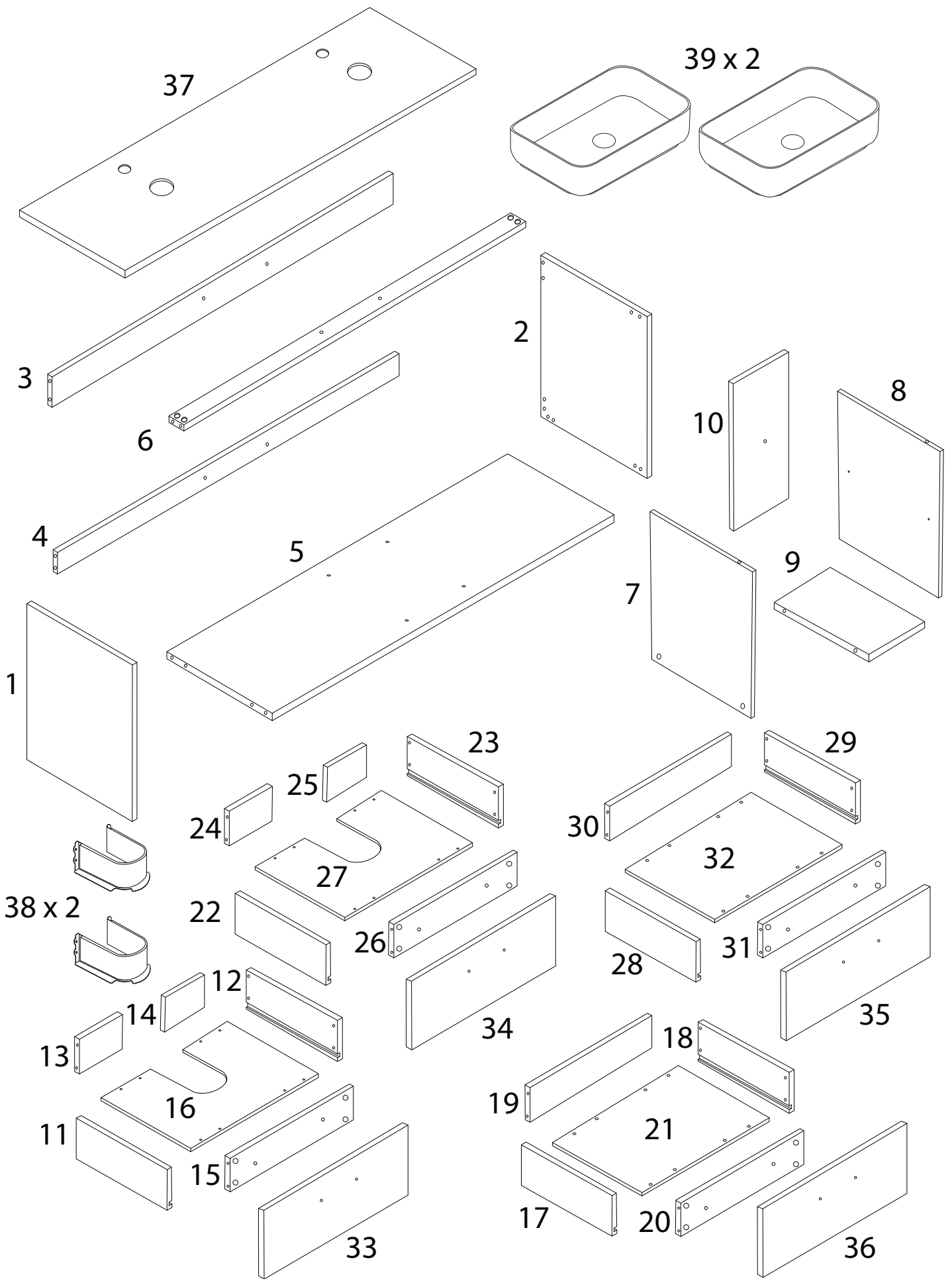
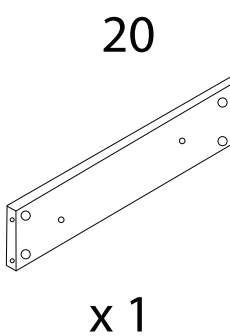
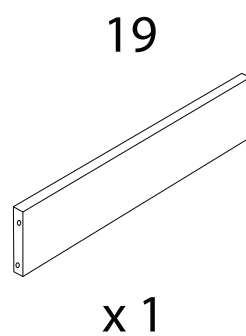
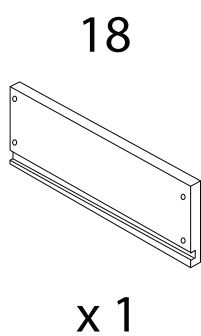
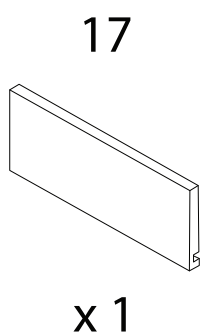
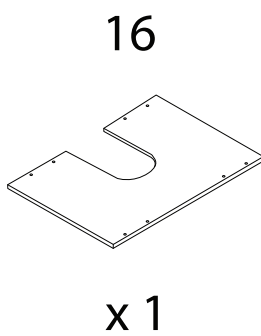
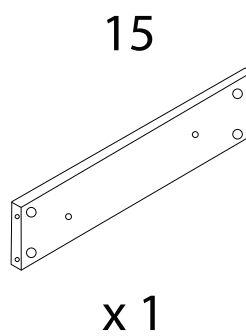
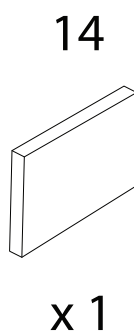
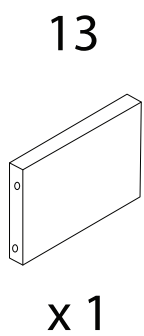
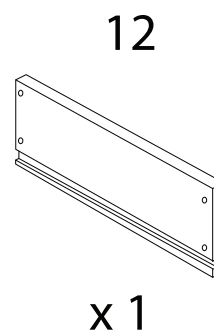
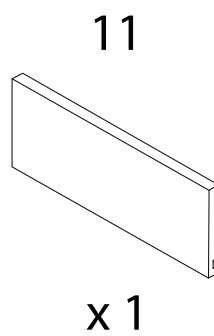
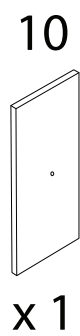
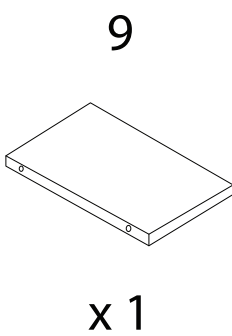
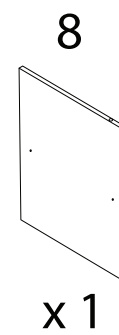
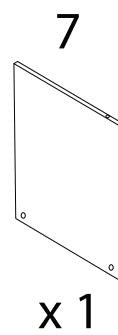
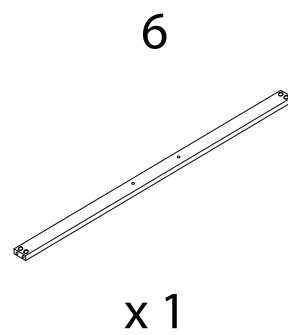
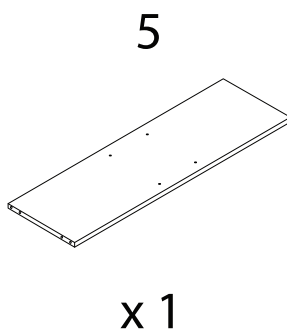
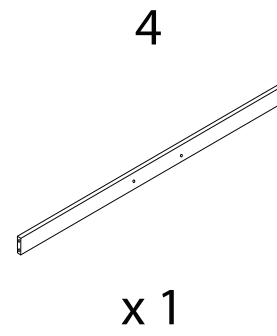
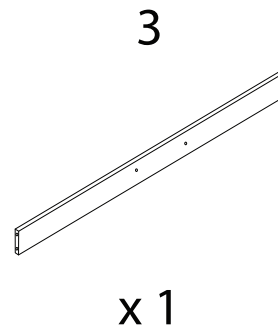
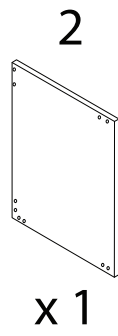
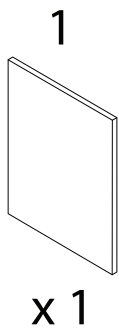


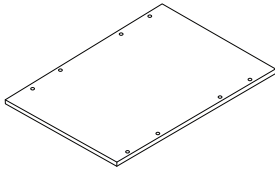
Diagram illustrating assembly instructions and safety warnings:

- Top Section:** Shows a circular icon containing a screwdriver and a wrench, and a crossed-out power drill icon. To the right is a warning triangle with an exclamation mark. Further right is a clock icon with the text "90'" below it.
- Bottom Section:** Shows a circular icon containing a block being placed on a textured surface, and a crossed-out block being placed on a smooth surface. To the right is a warning triangle with an exclamation mark. Further right is a person icon with the text "2" below it.



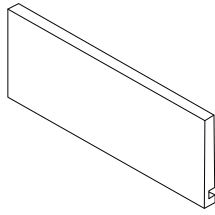


21



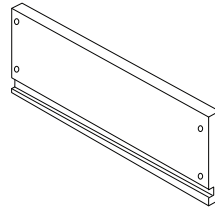
x 1

22



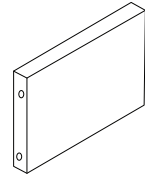
x 1

23



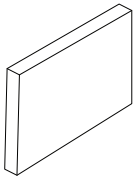
x 1

24



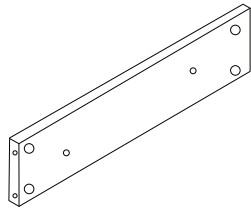
x 1

25



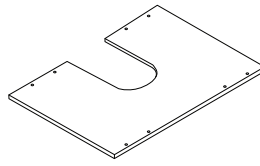
x 1

26



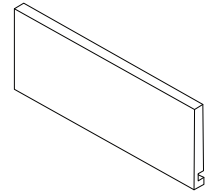
x 1

27



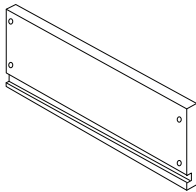
x 1

28



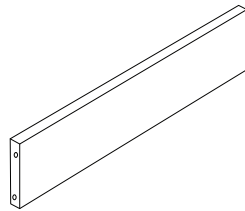
x 1

29



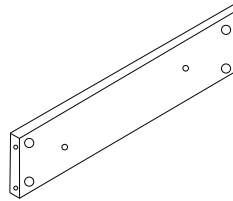
x 1

30



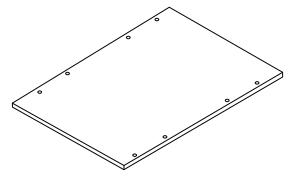
x 1

31



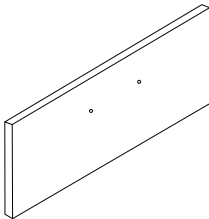
x 1

32



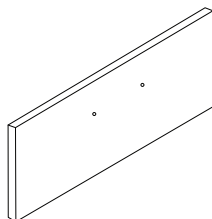
x 1

33



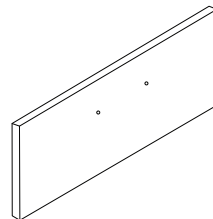
x 1

34



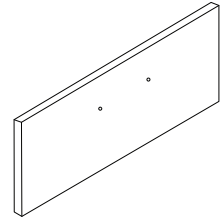
x 1

35



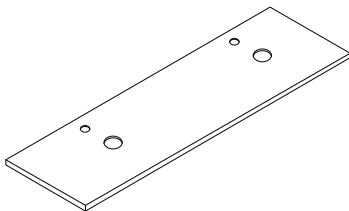
x 1

36



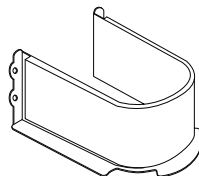
x 1

37



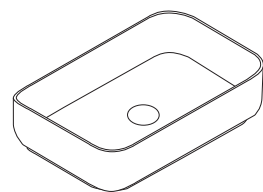
x 1

38



x 2

39



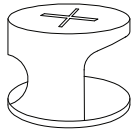
x 2

A



x 56

B



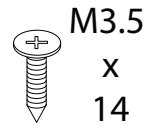
x 56

C



x 4

D



M3.5
x
14

x 104

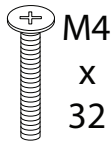
E



M4
x
24

x 7

F



M4
x
32

x 8

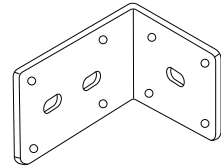
G



M4
x
18

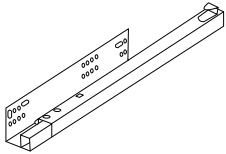
x 8

H



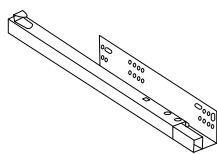
x 4

I



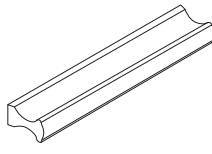
x 4

J



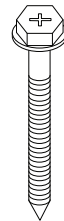
x 4

K



x 4

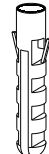
L



M5
x
25

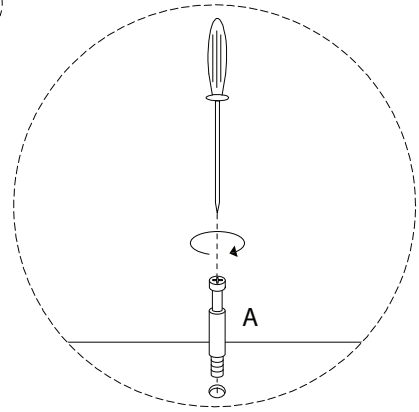
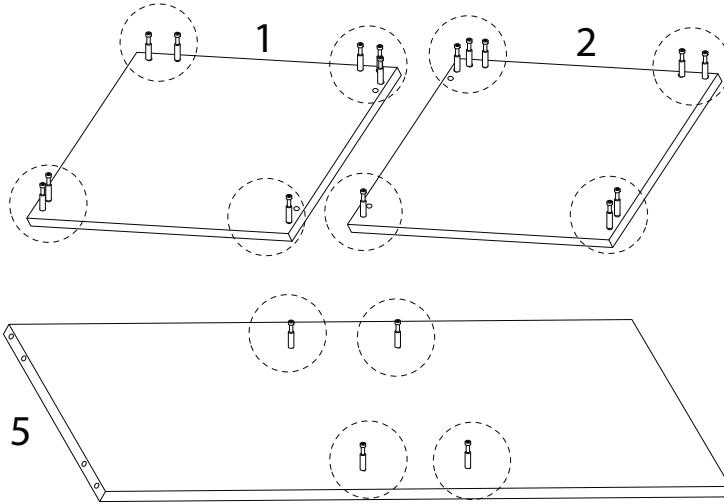
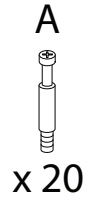
x 8

M

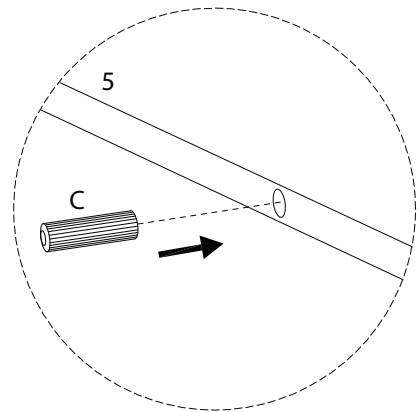
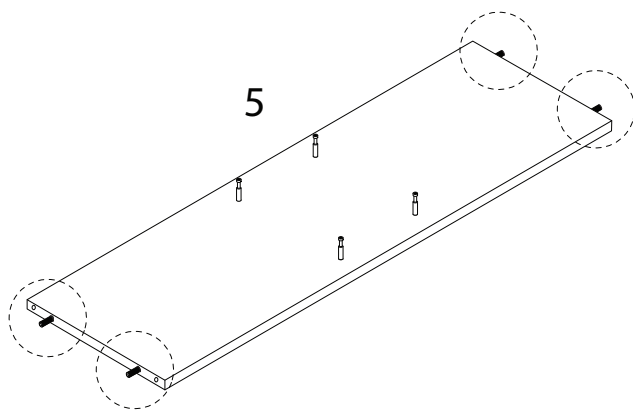
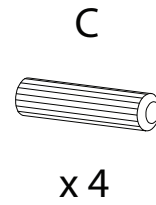
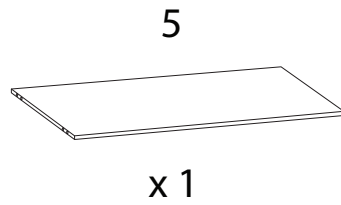


x 8

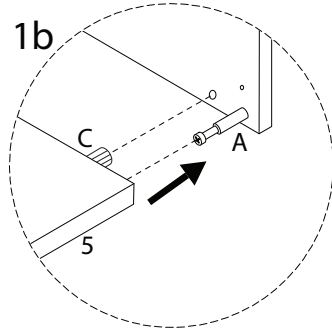
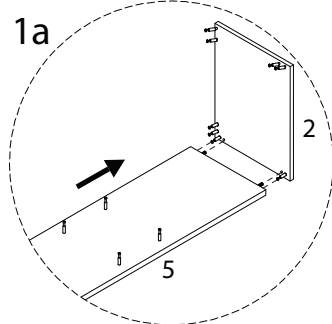
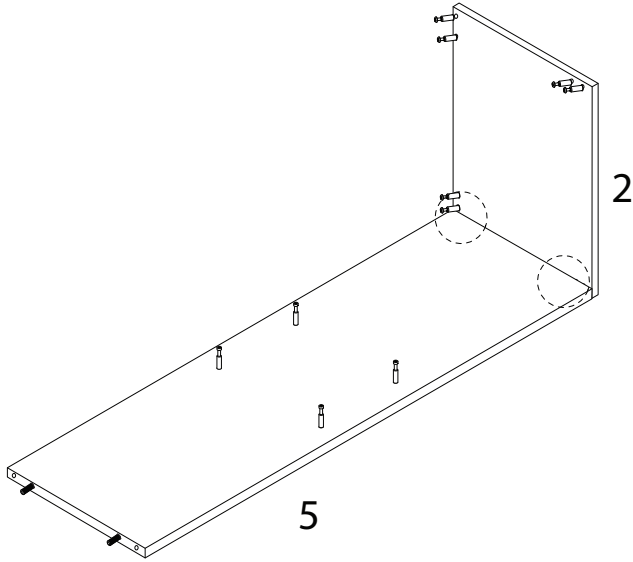
1



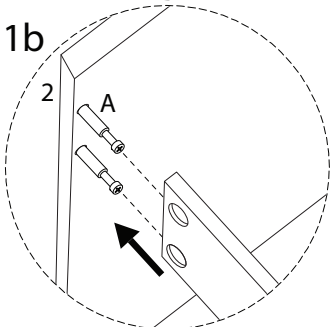
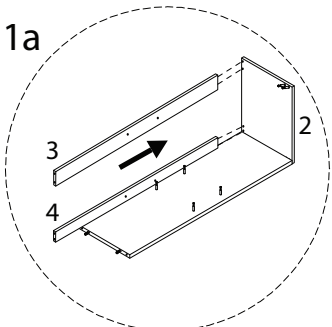
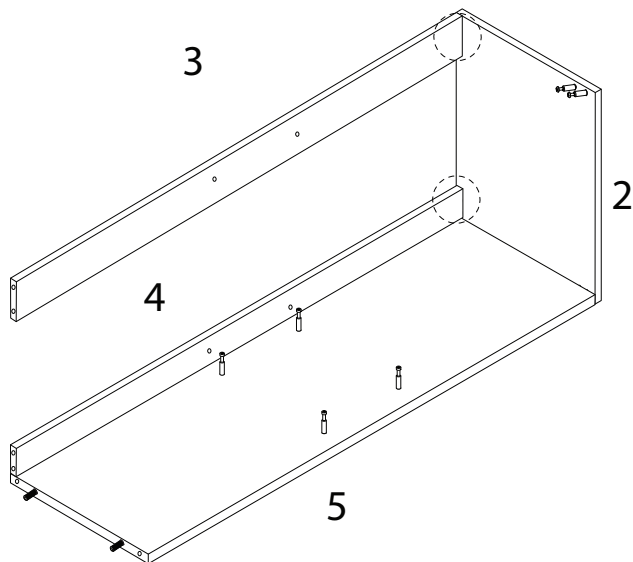
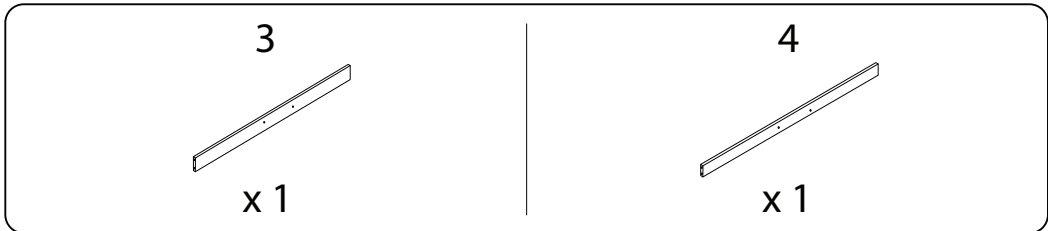
2



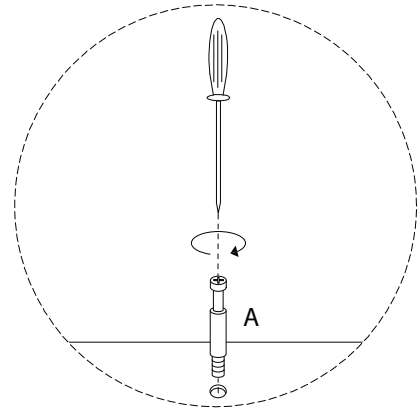
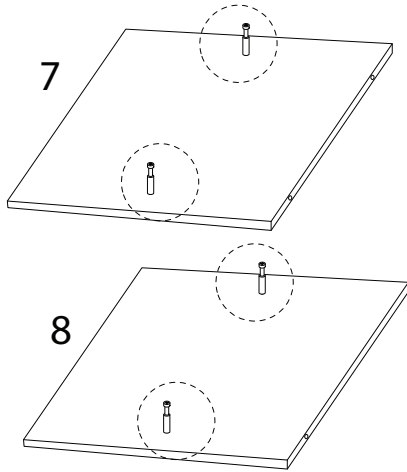
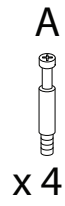
3



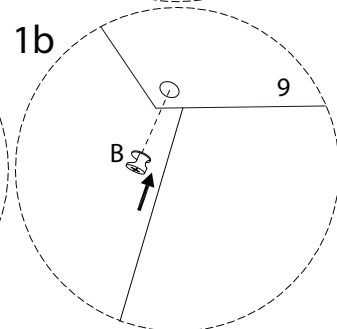
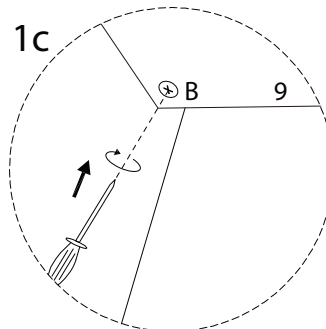
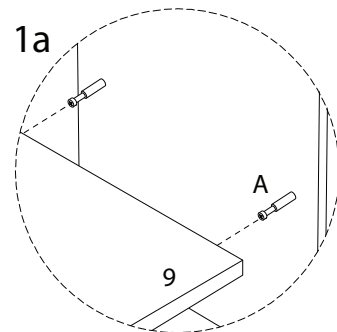
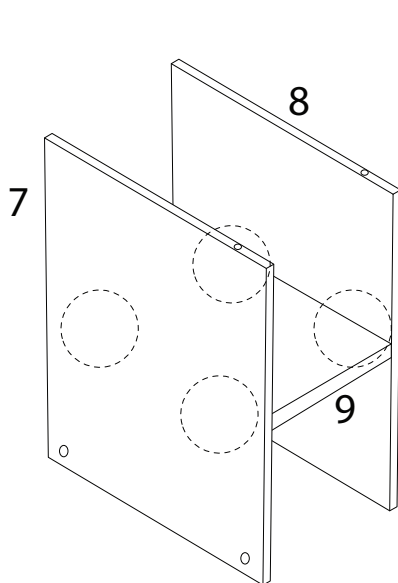
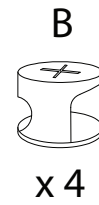
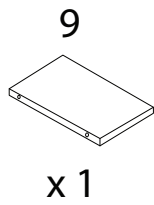
4



5



6

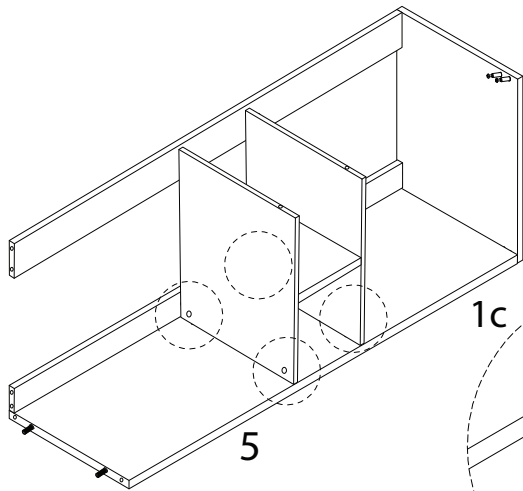


7

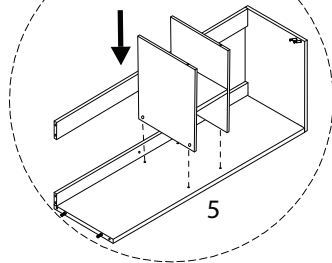
B



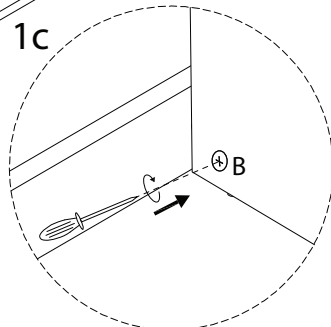
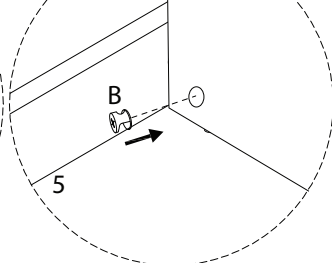
x 4



1a

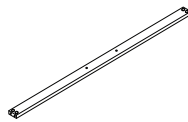


1b

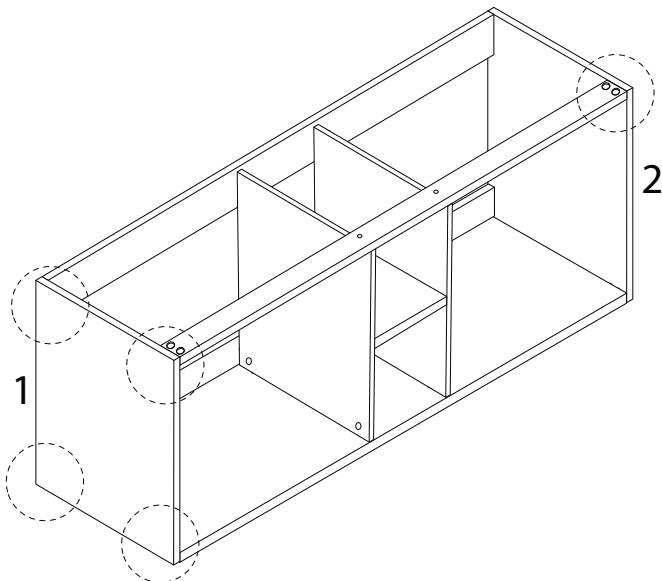


8

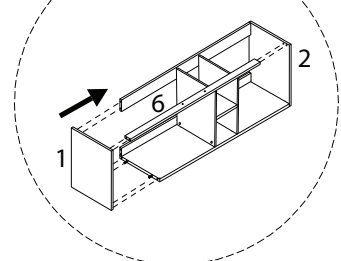
6



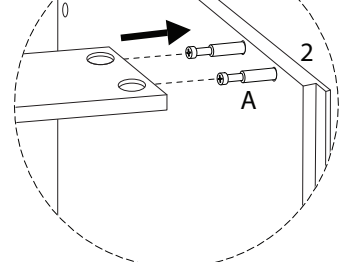
x 1



1a



1b

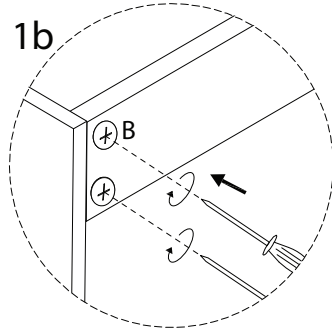
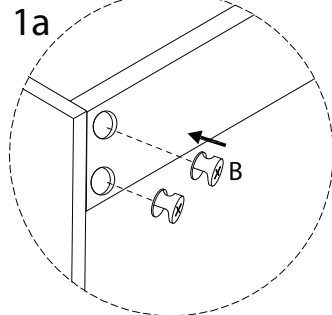
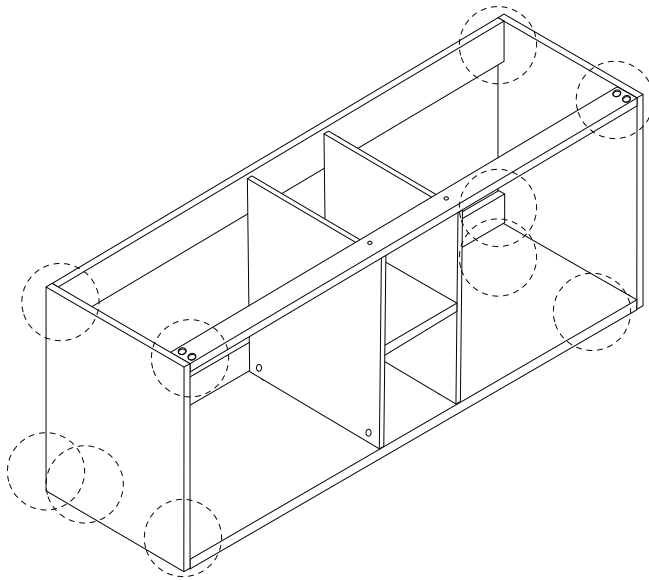


9

B



x 16

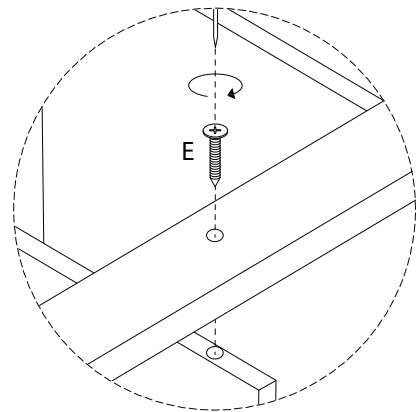
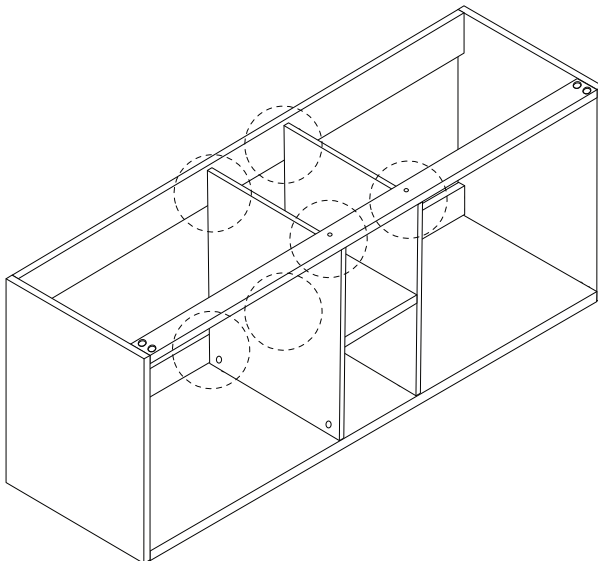


10

E



x 6



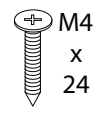
11

10

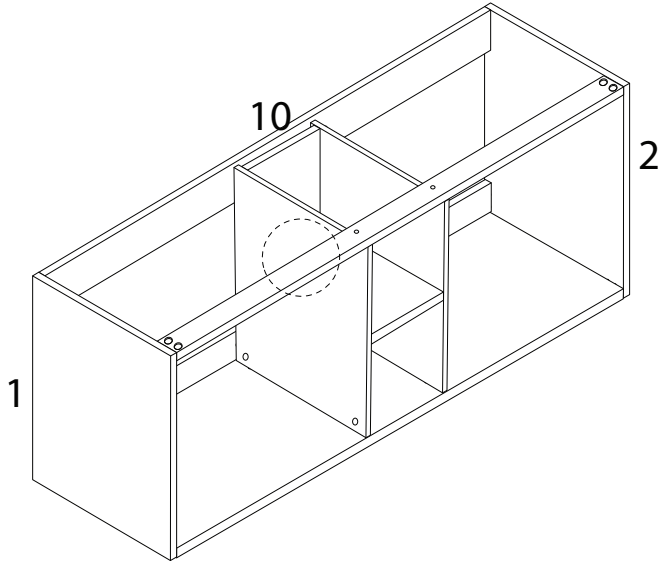


x 1

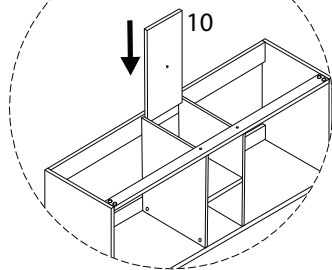
E



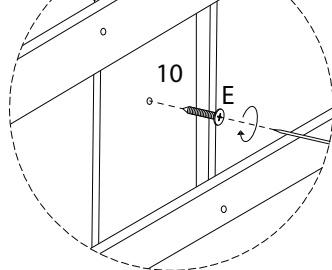
x 1



1a

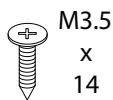


1b



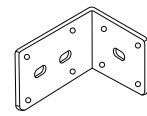
12

D

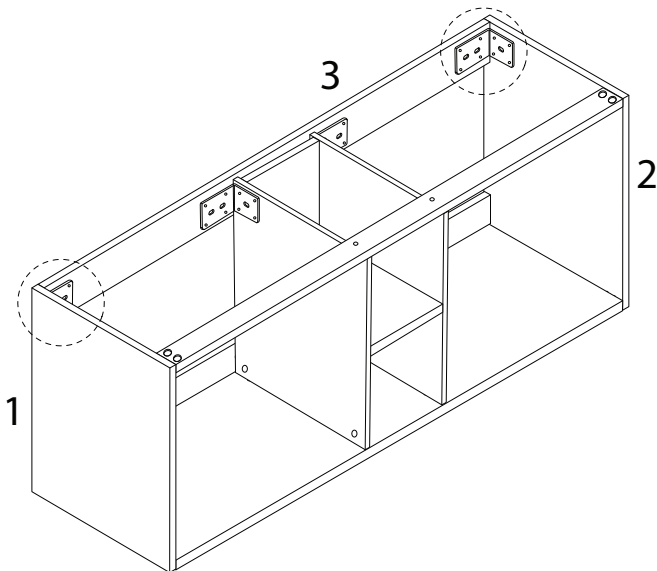


x 32

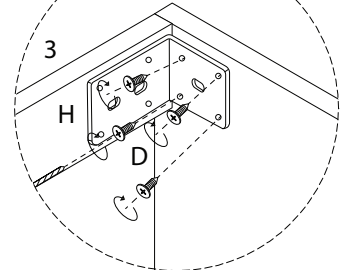
H



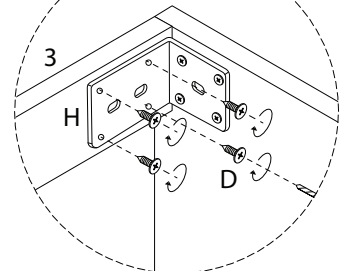
x 4



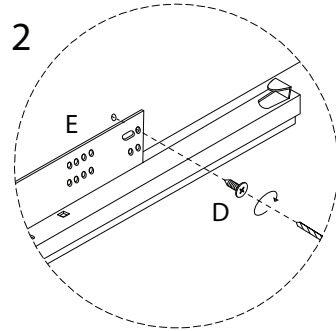
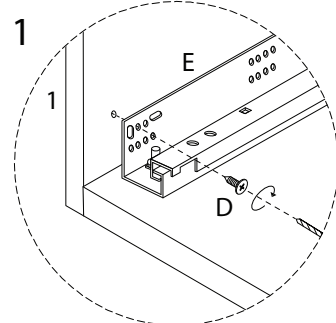
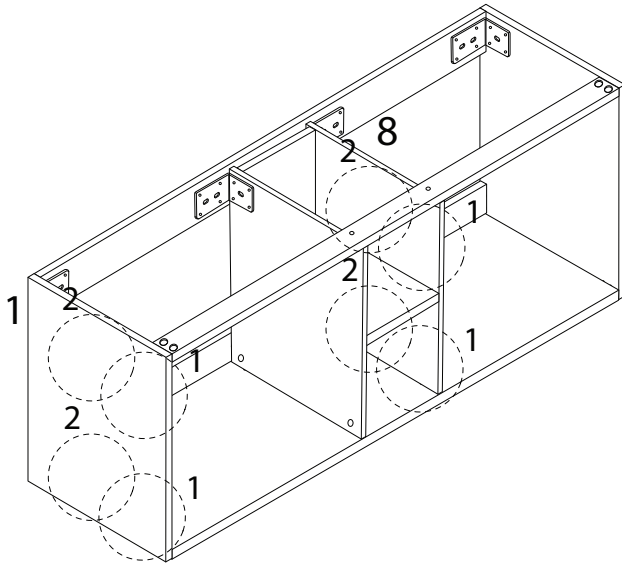
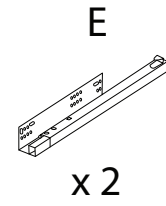
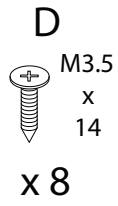
1a



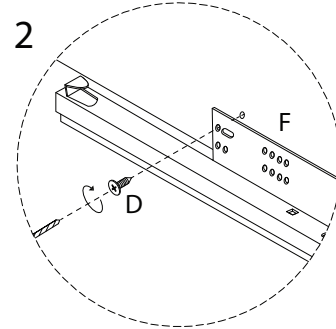
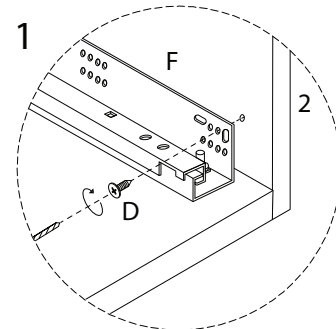
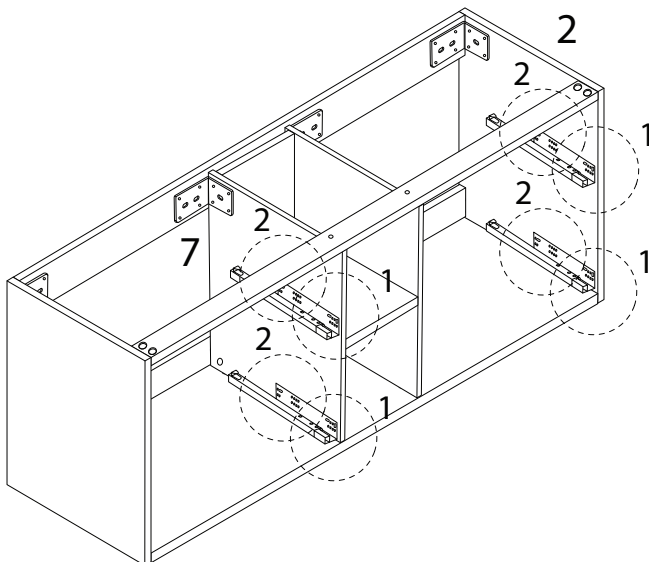
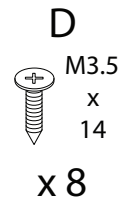
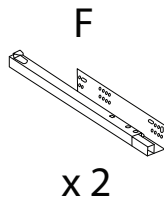
1b



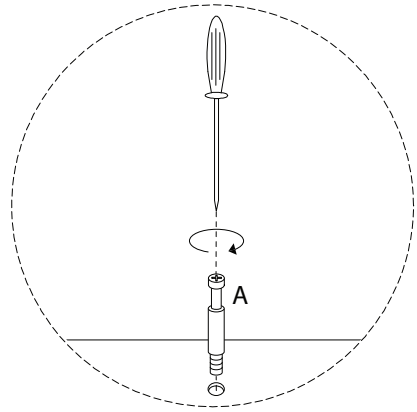
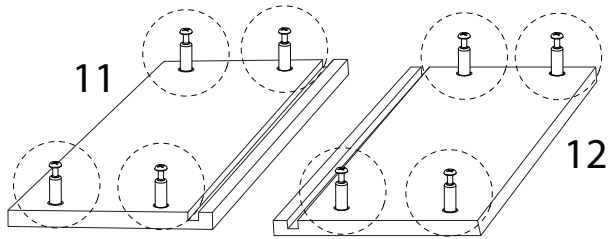
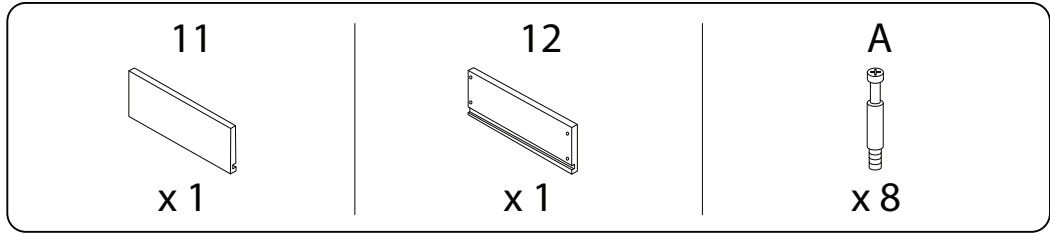
13



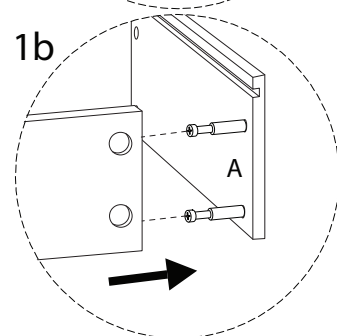
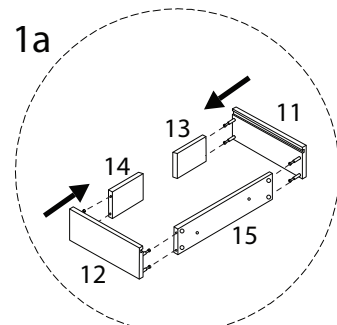
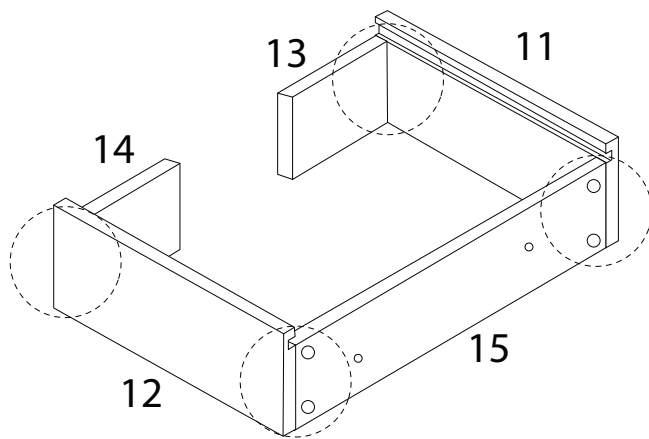
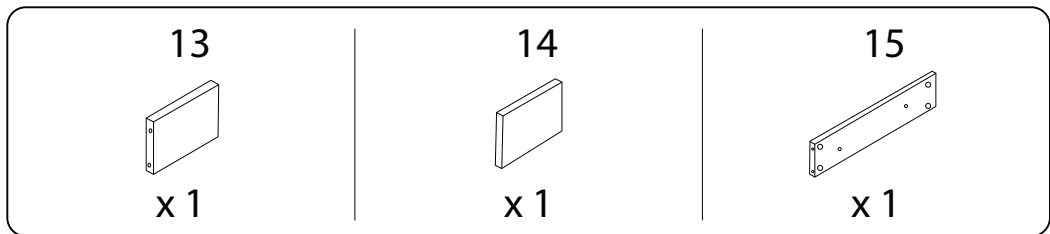
14



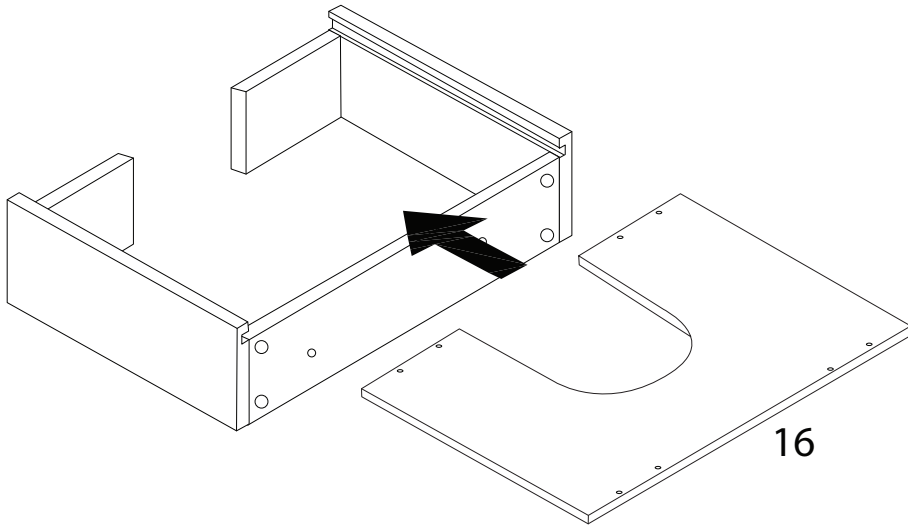
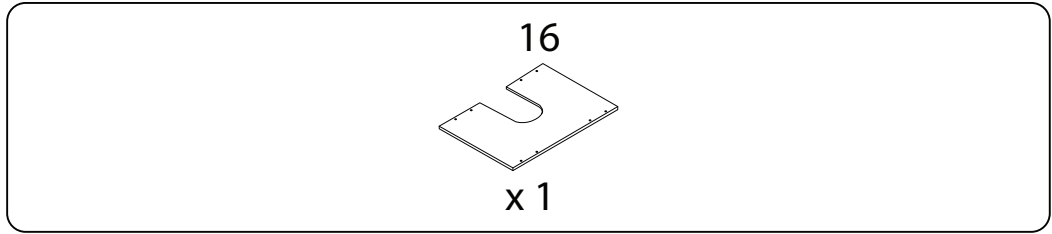
15



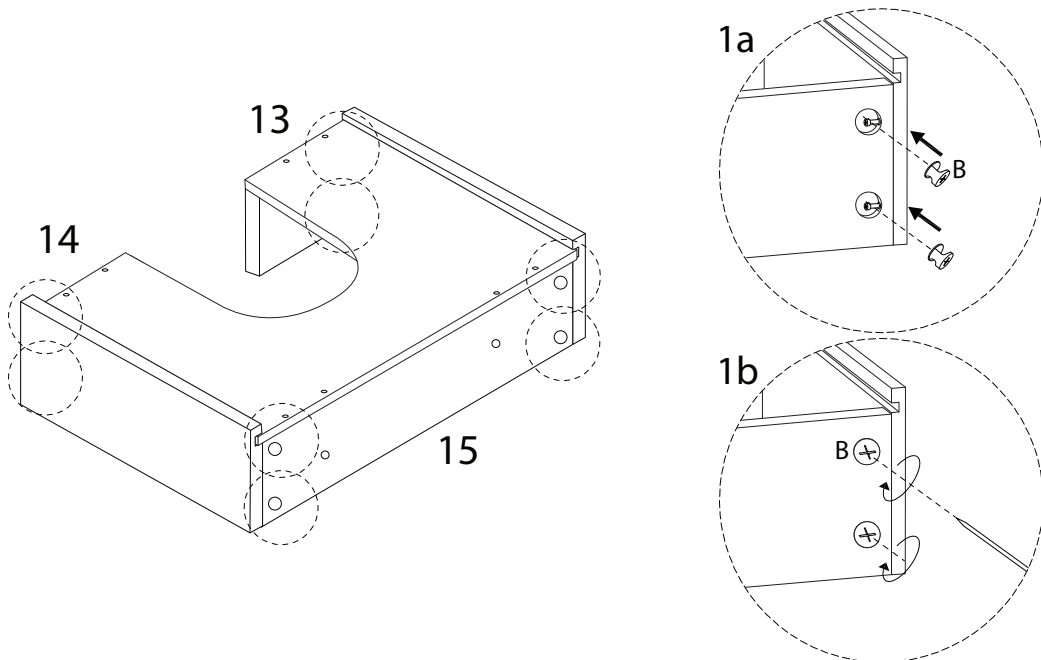
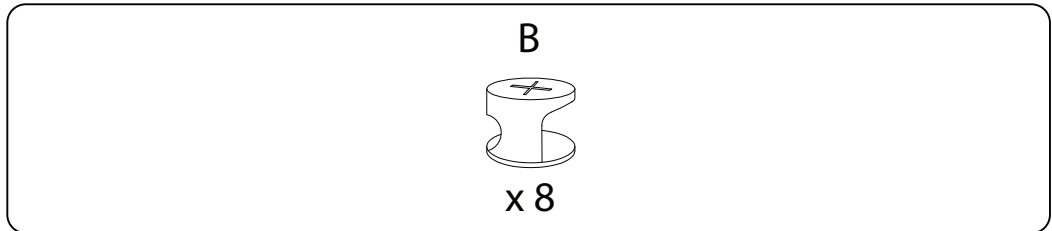
16



17

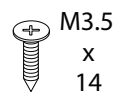


18

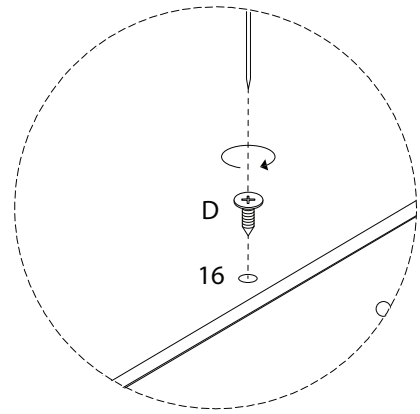
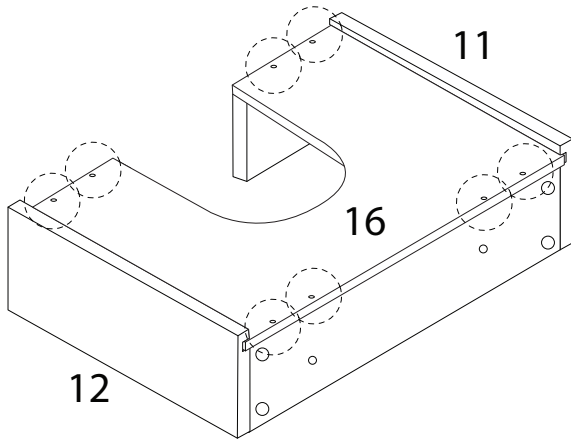


19

D

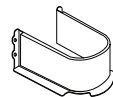


x 8

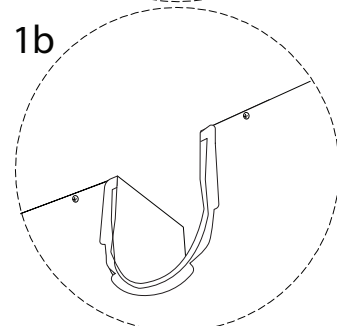
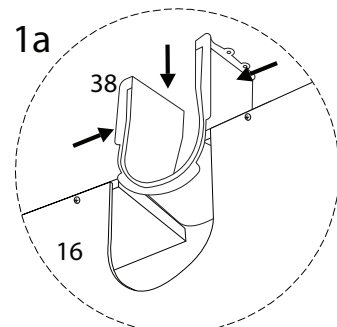
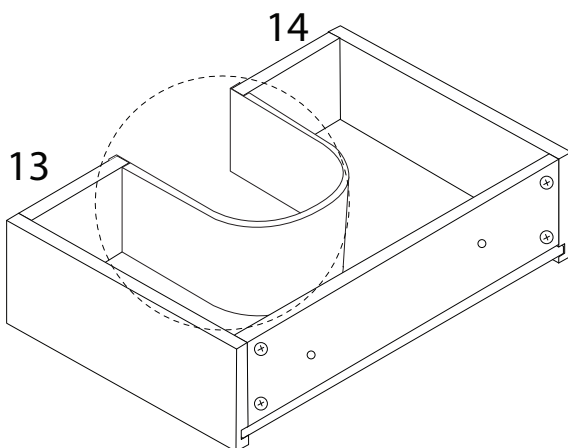


20

38



x 1

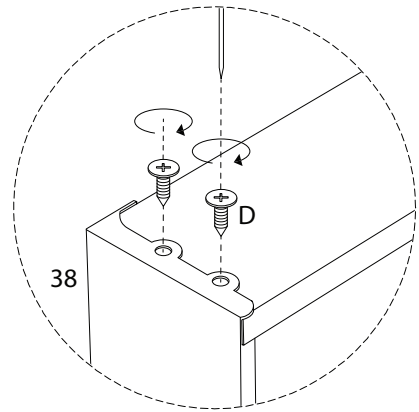
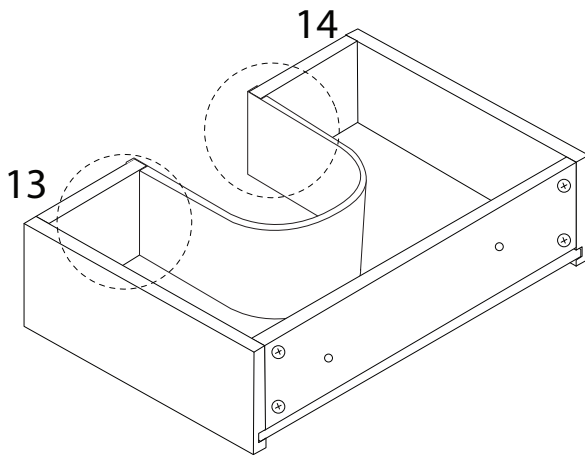


21

D

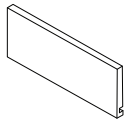
M3.5
x
14

x 4



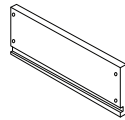
22

17



x 1

18

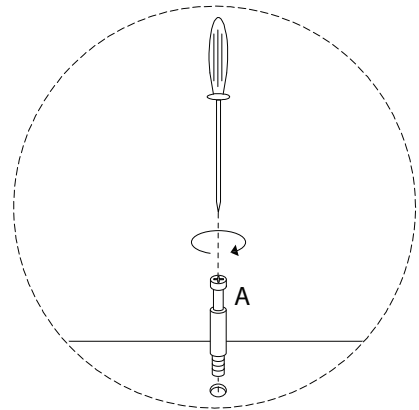
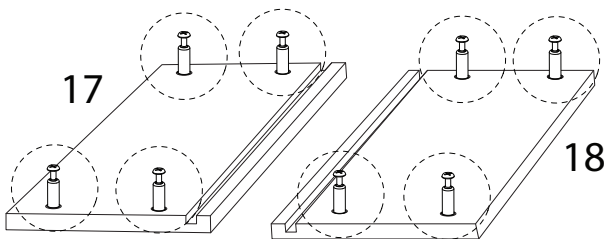


x 1

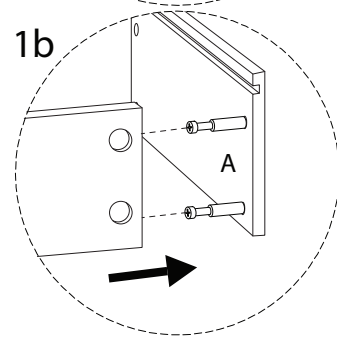
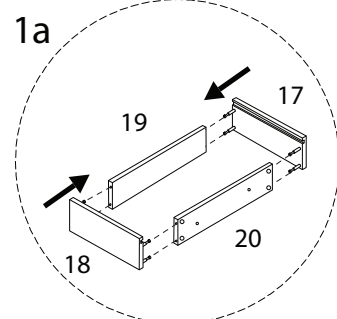
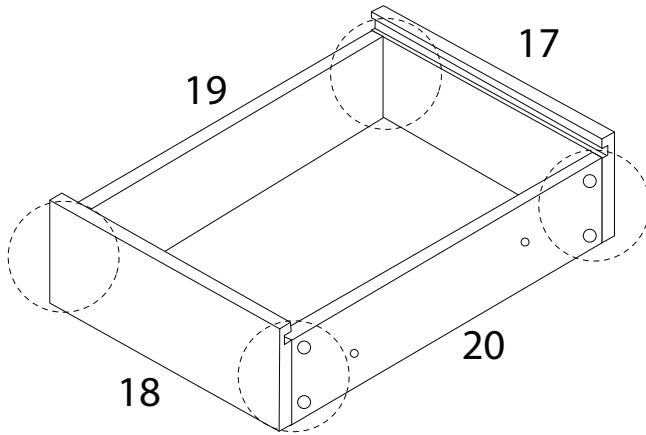
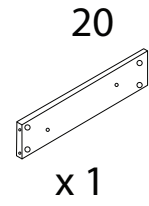
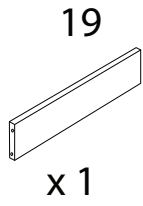
A



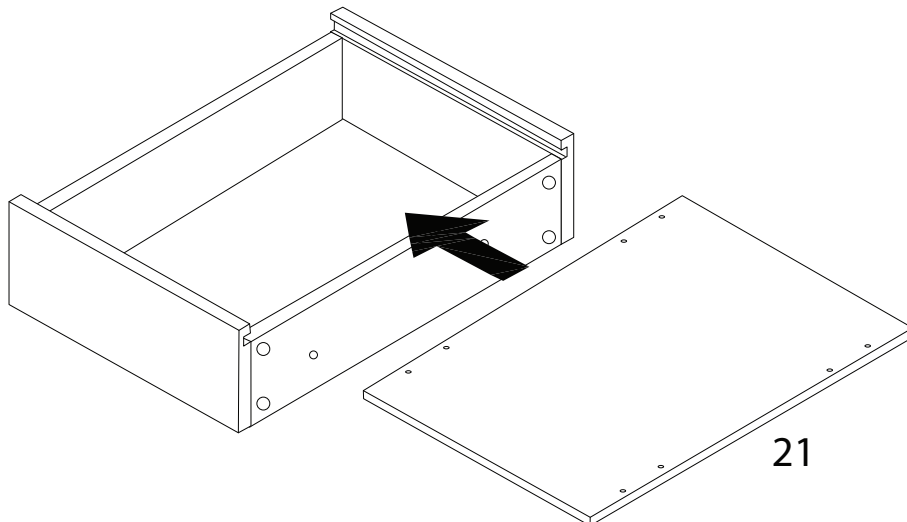
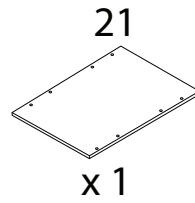
x 8



23

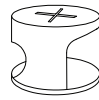


24

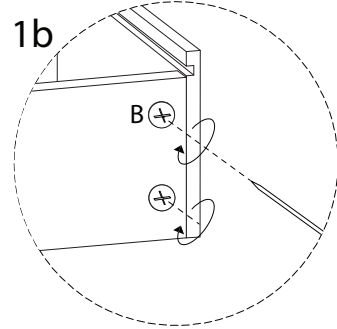
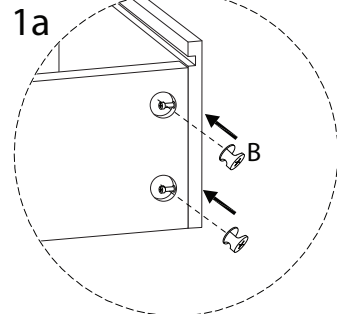
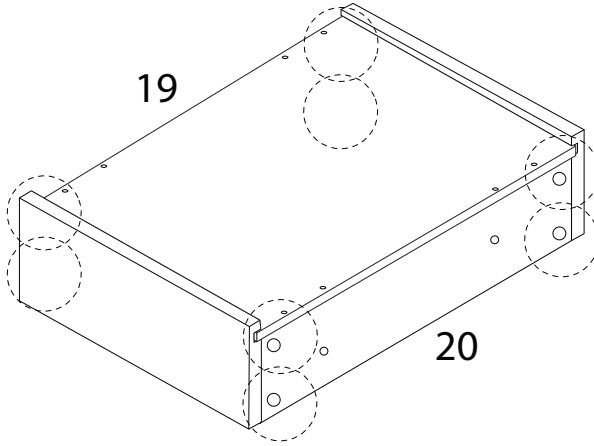


25

B

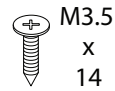


x 8



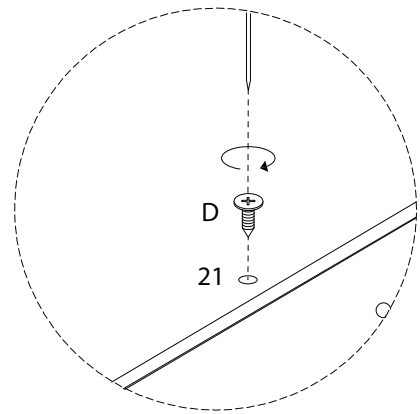
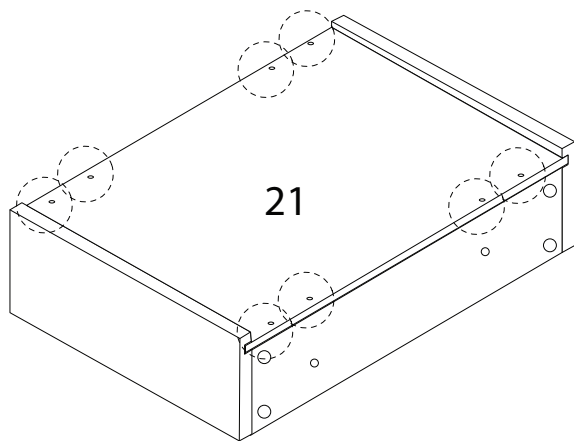
26

D

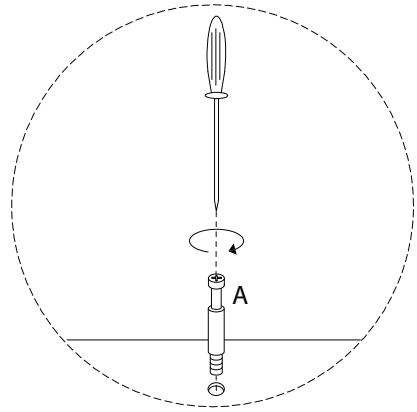
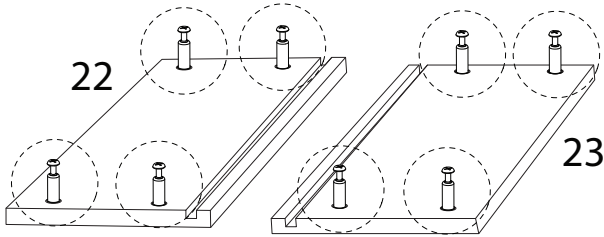
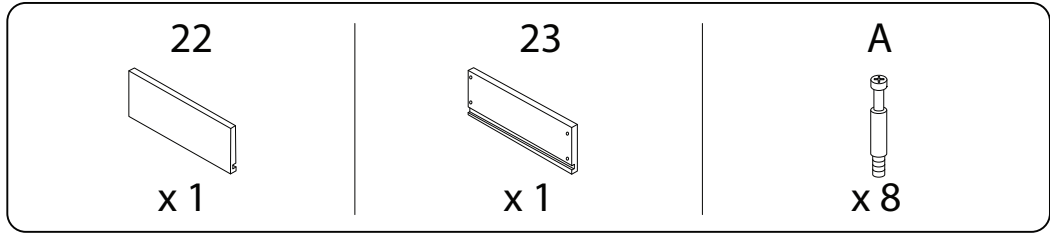


x 14

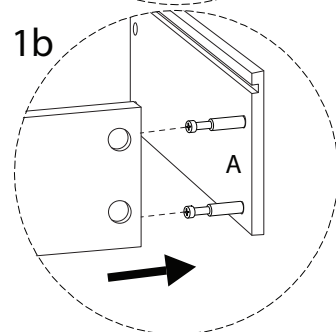
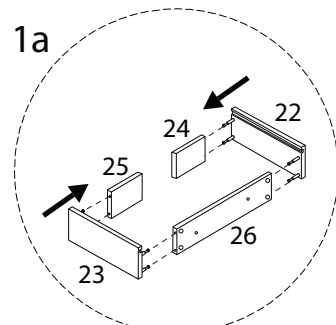
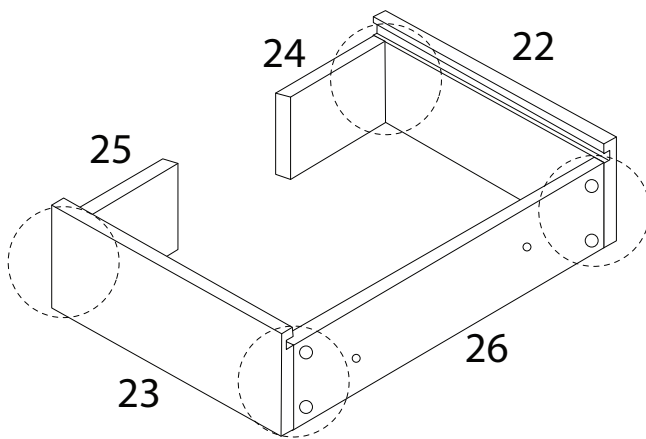
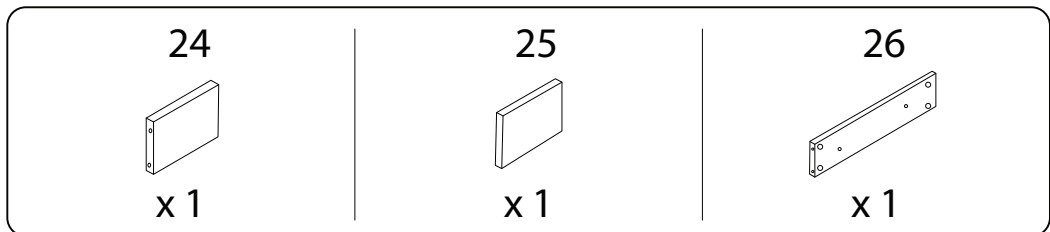
x 8



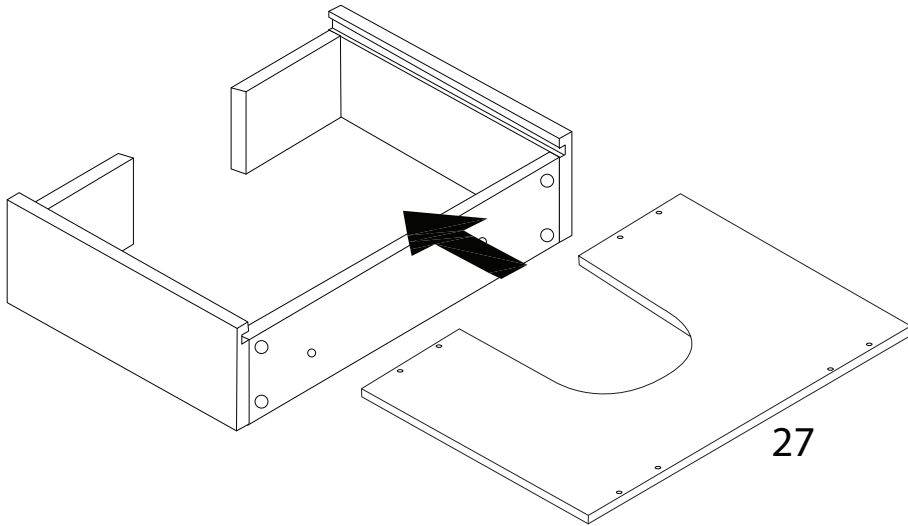
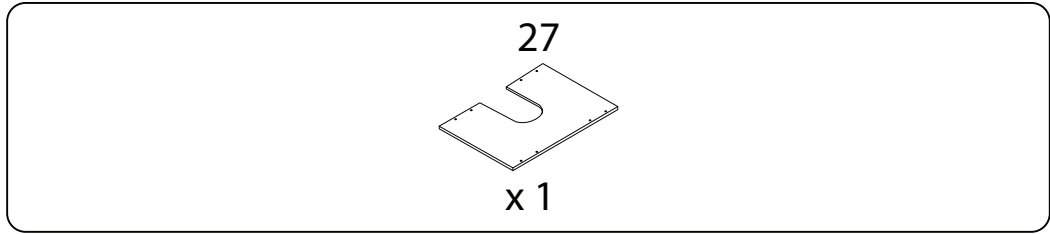
27



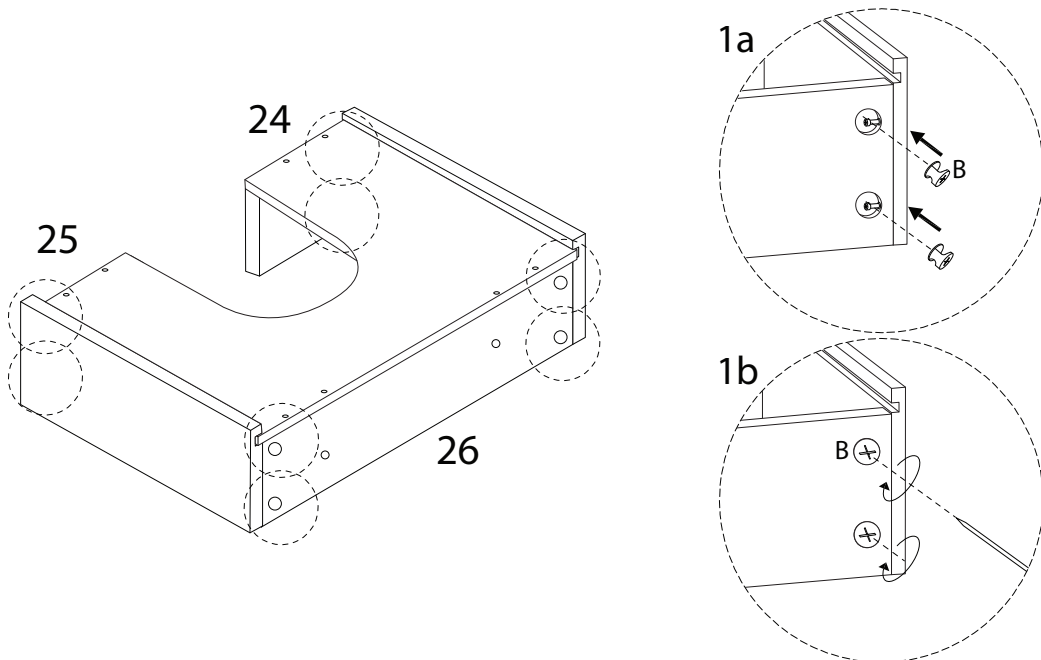
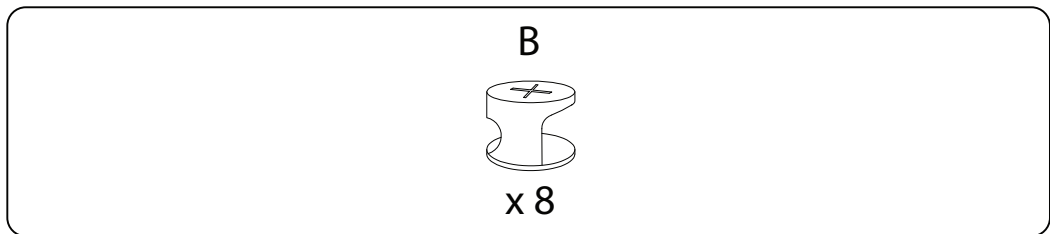
28



29

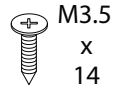


30

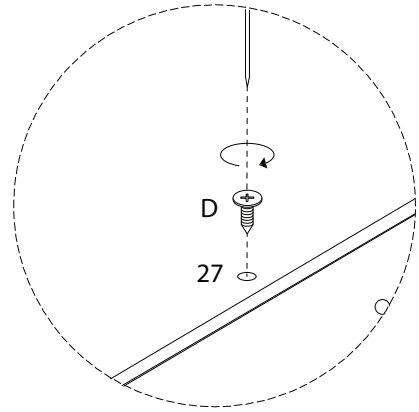
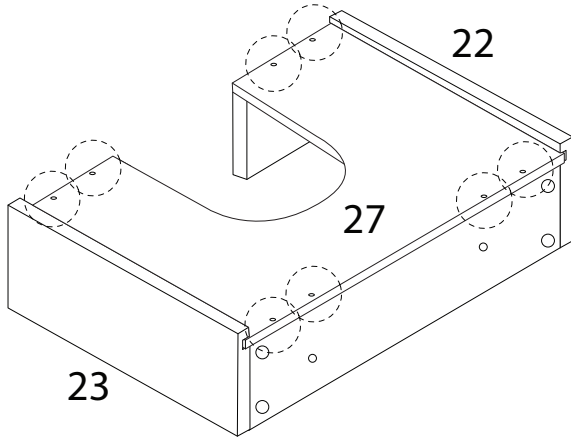


31

D

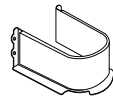


x 8

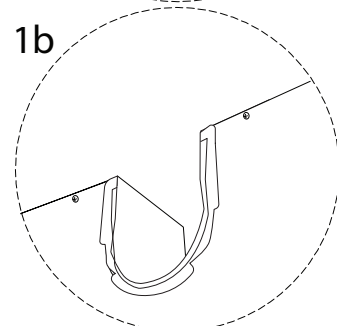
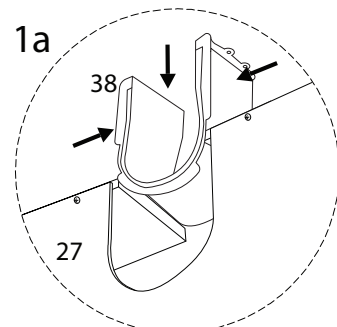
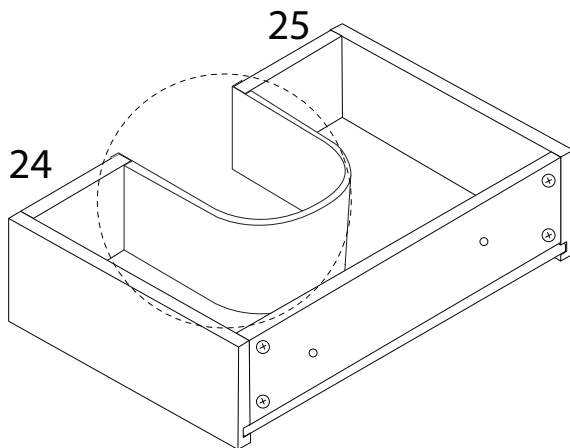


32

38

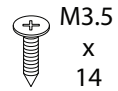


x 1

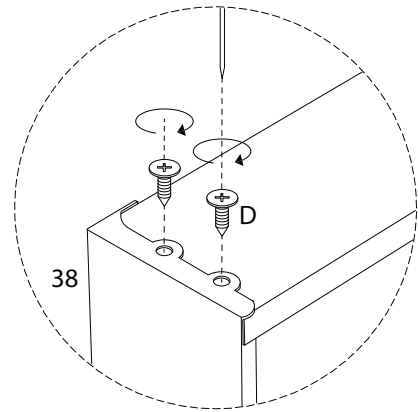
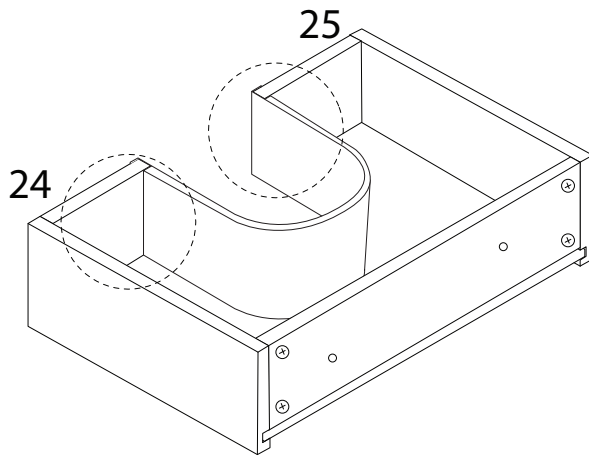


33

D

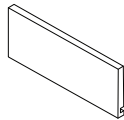


x 4



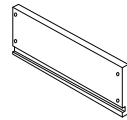
34

28



x 1

29

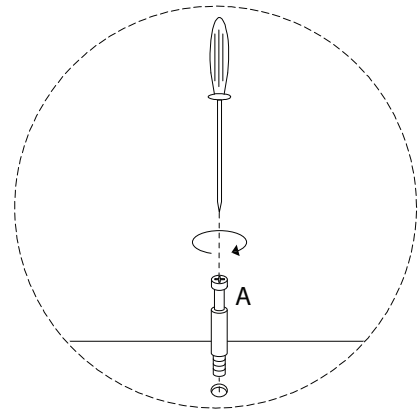
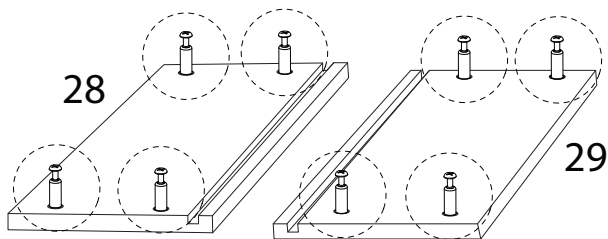


x 1

A

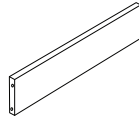


x 8



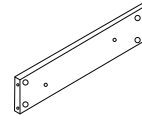
35

30

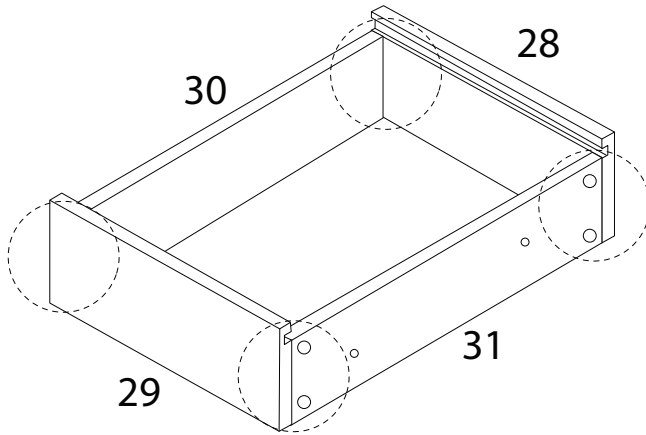


x 1

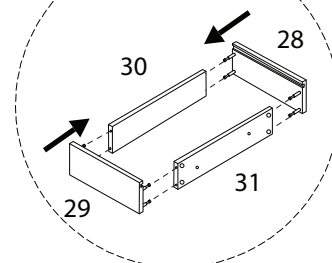
31



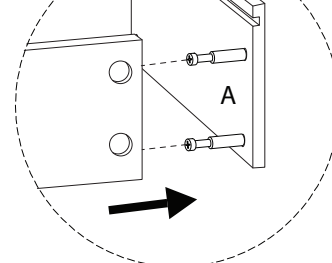
x 1



1a

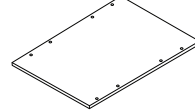


1b

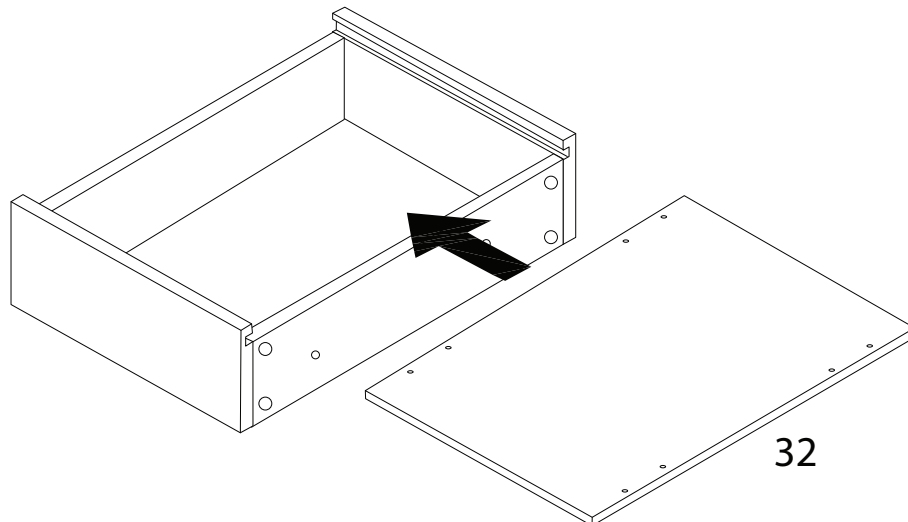


36

32

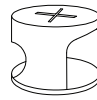


x 1

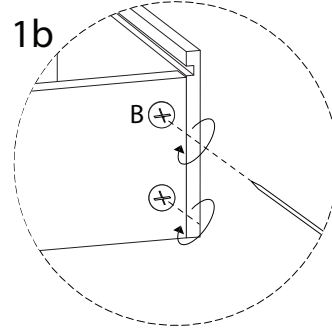
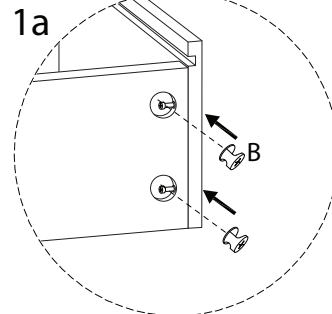
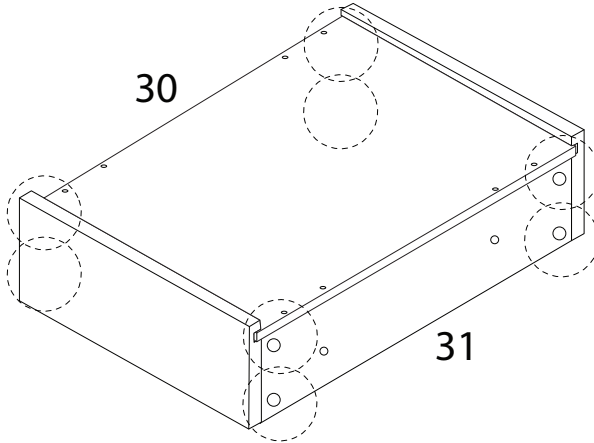


37

B

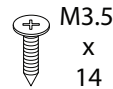


x 8

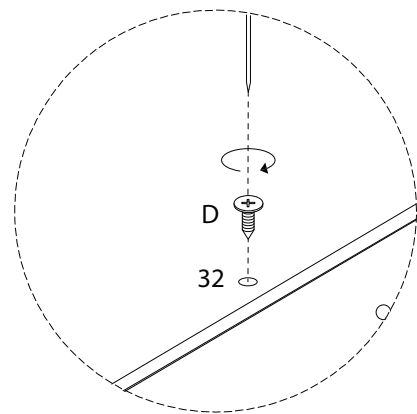
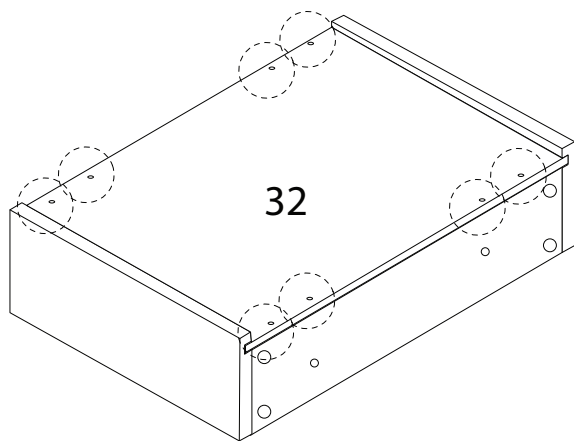


38

D



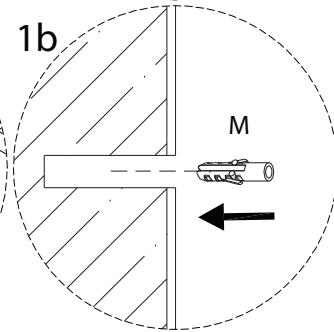
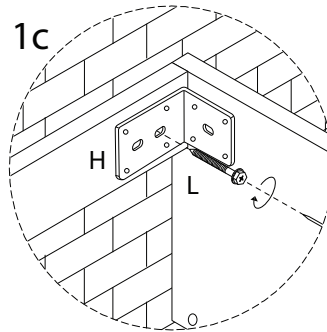
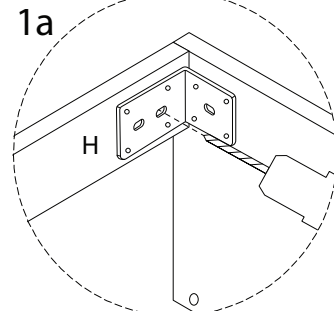
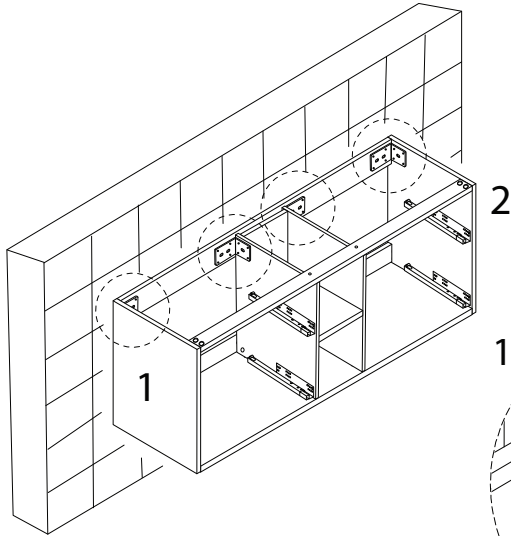
x 8



39

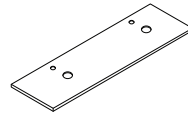
L
M5
x
25
x 4

M
x 4

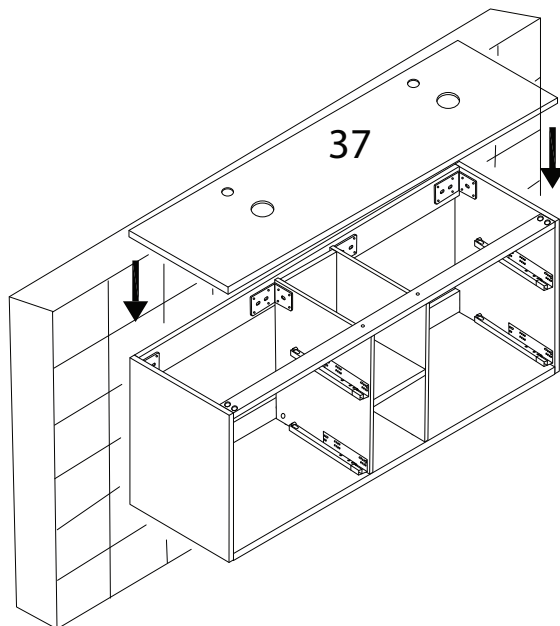


40

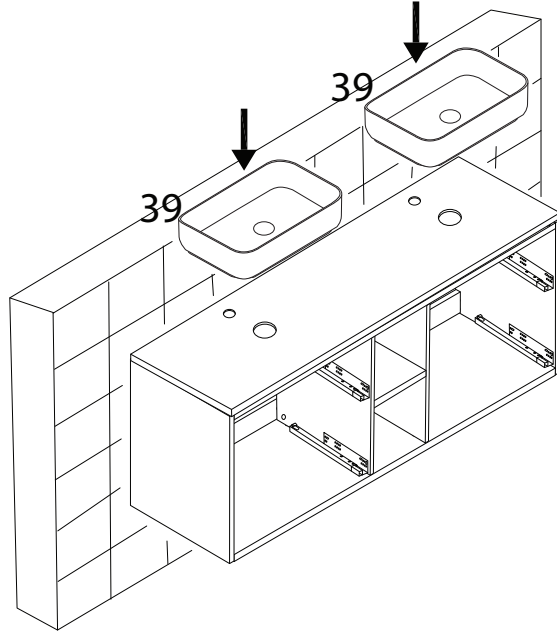
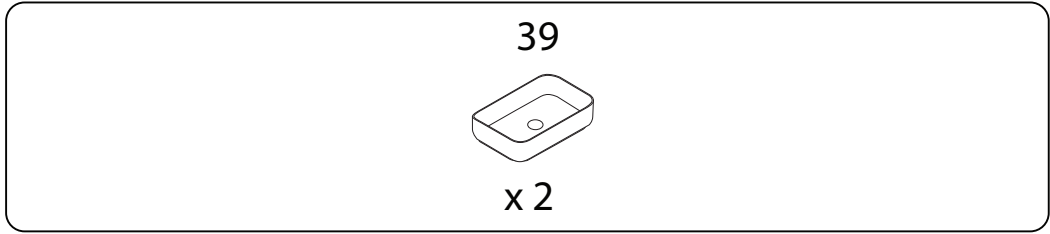
37



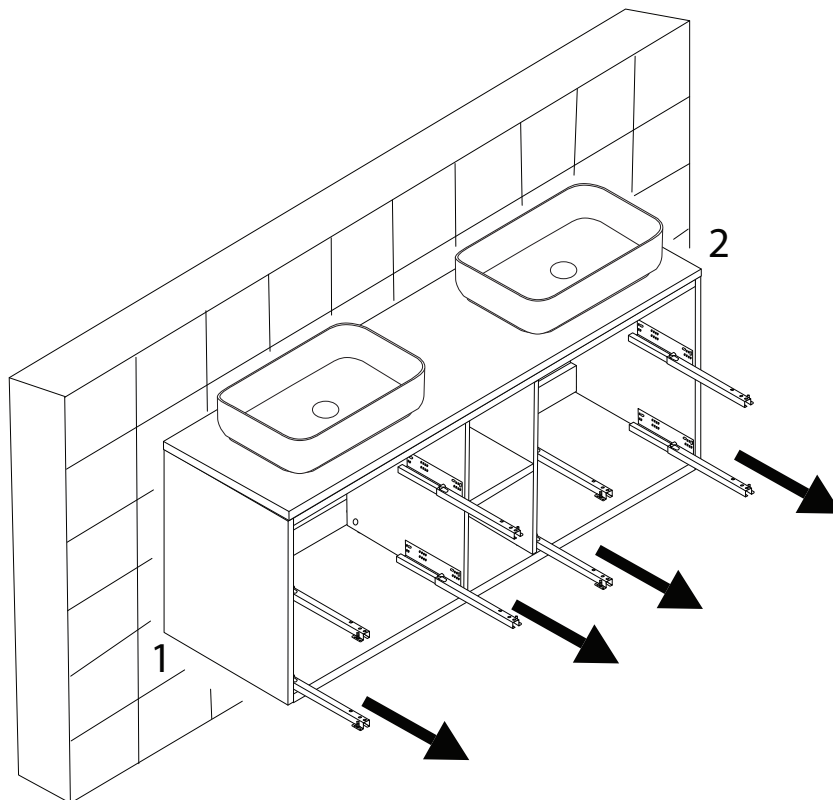
x 1



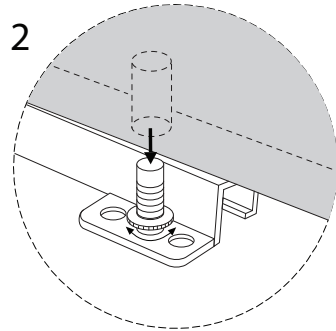
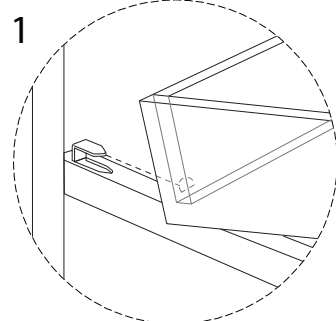
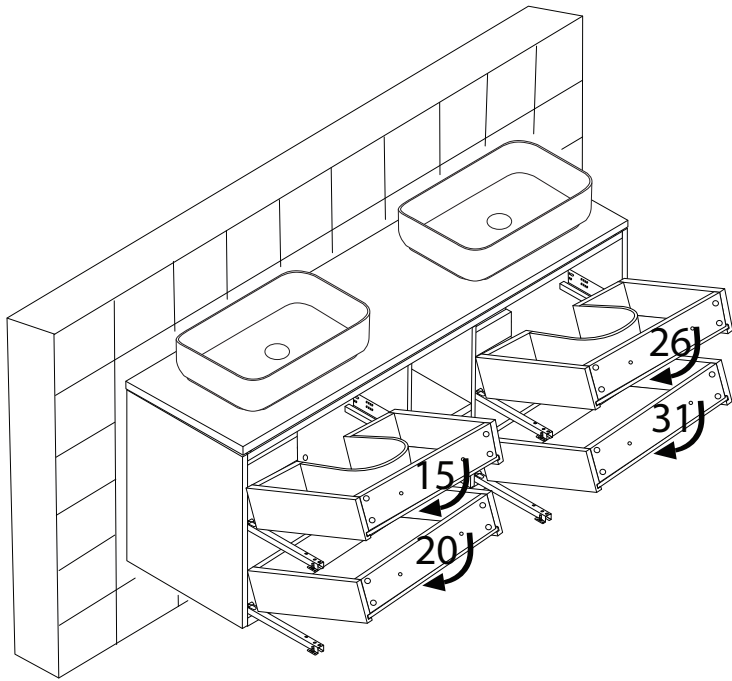
41



42

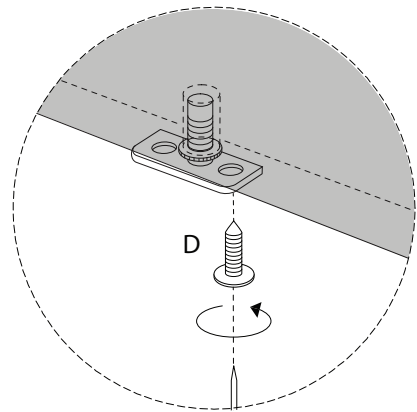
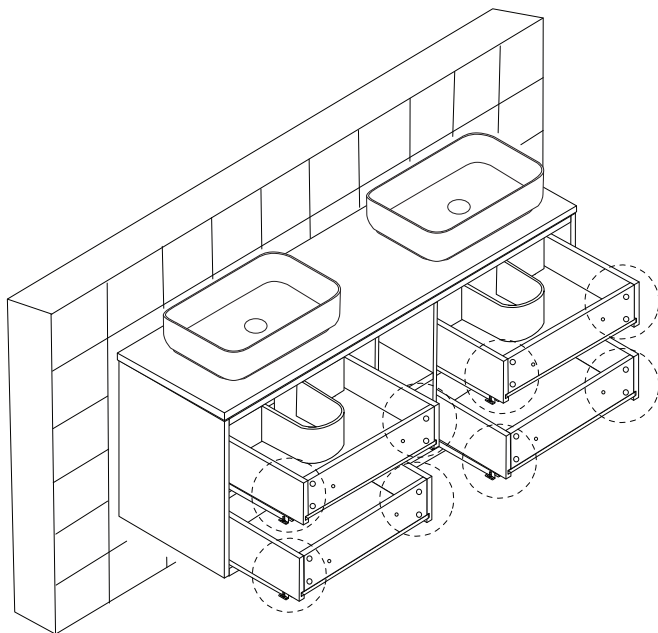


43

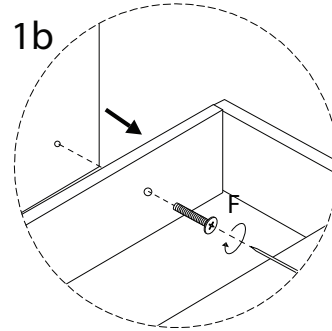
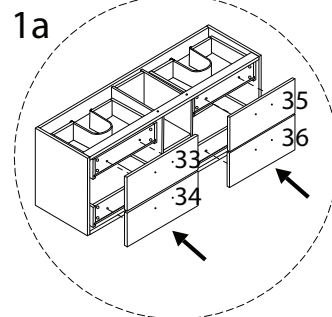
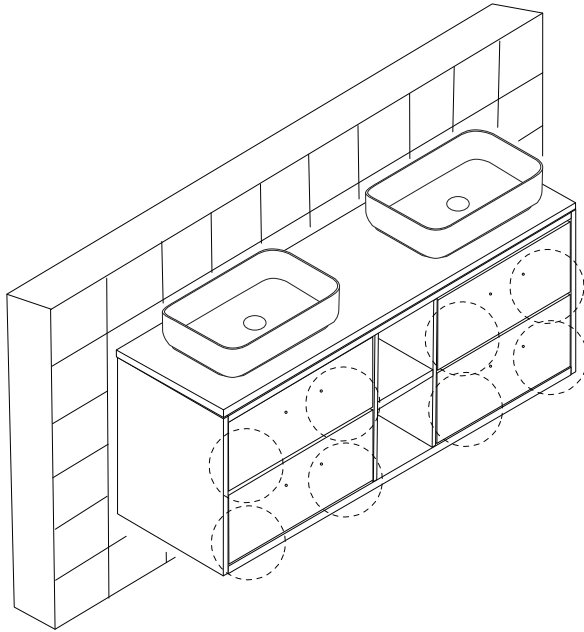
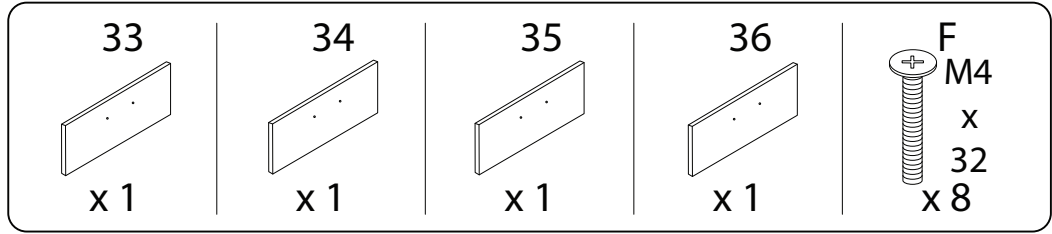


44

D
M3.5
x
14
x 16



45



46

