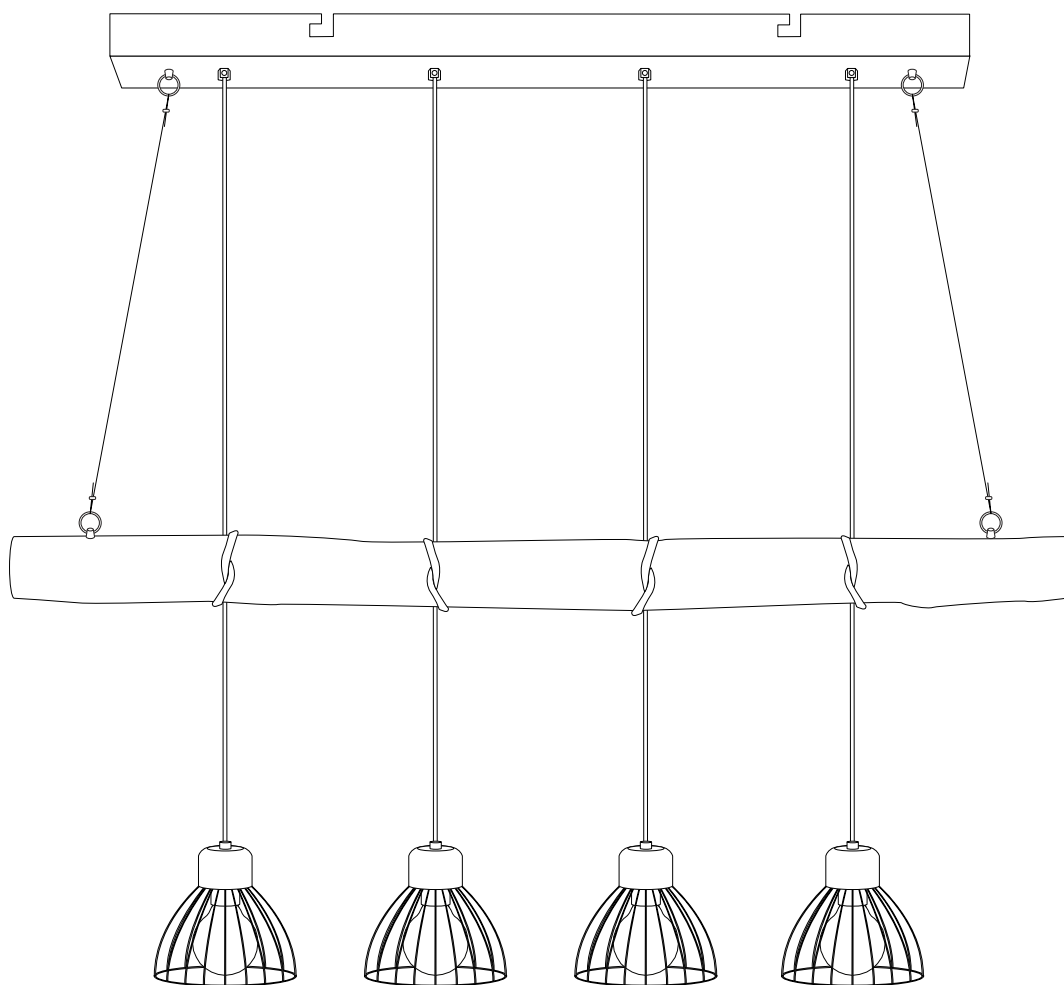


# VARADA



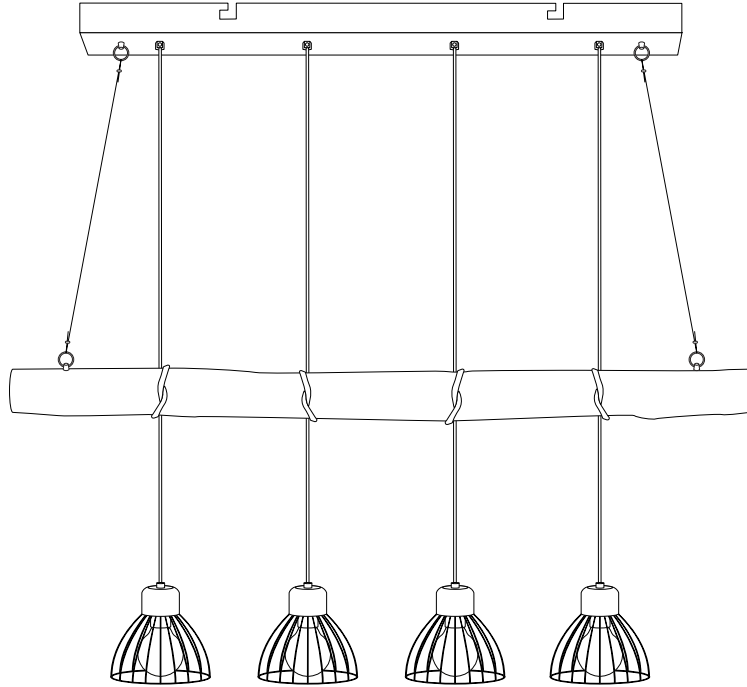
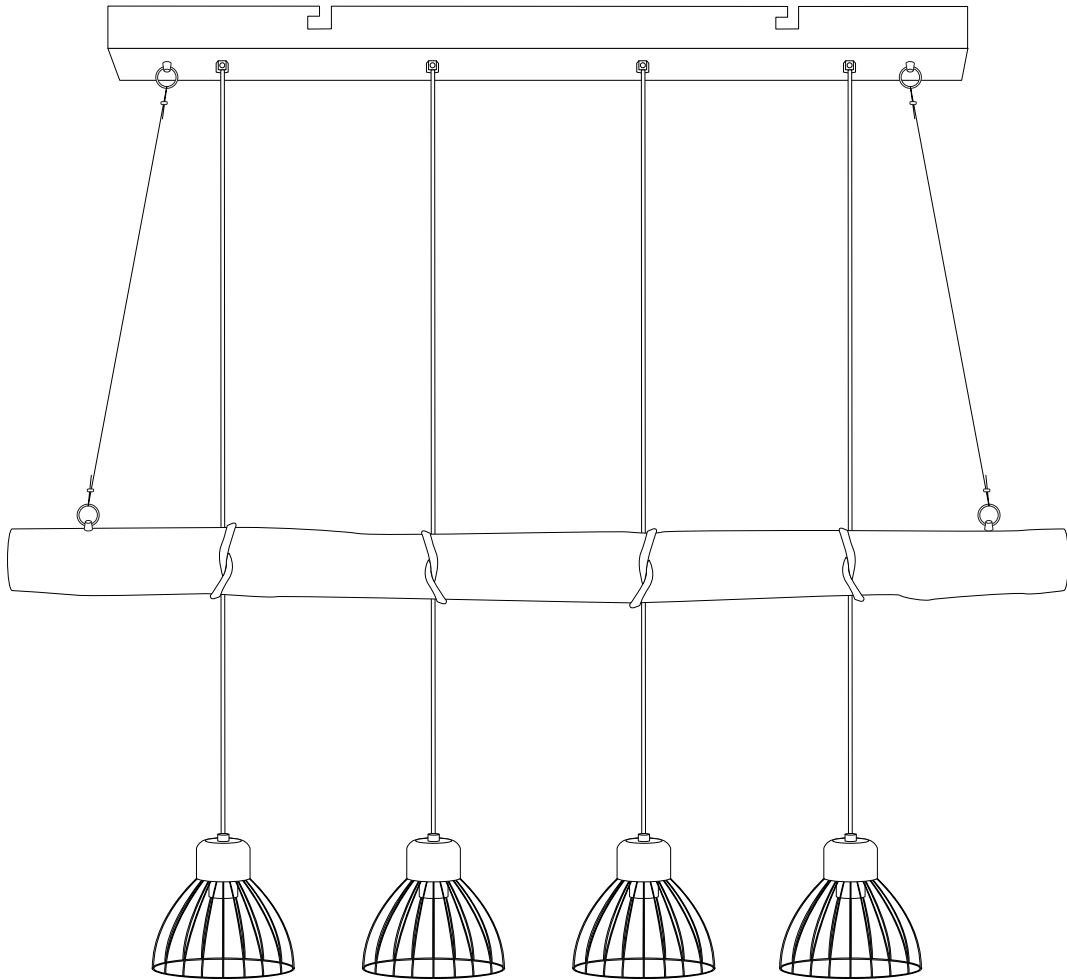


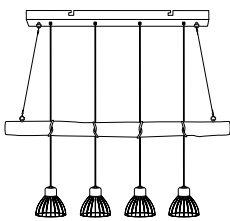
Diagram illustrating safety and installation instructions:

- Tools:** A circular icon shows a screwdriver and a power drill with a diagonal line through it, indicating that a screwdriver should be used and a power drill should not.
- Warning:** A triangular warning sign with an exclamation mark is positioned to the right of the tools icon.
- Time:** A clock icon is shown to the right, with the text "15'" below it, indicating a 15-minute installation time.
- Electrical:** A circular icon with a lightning bolt symbol is shown to the right, indicating electrical safety.
- Warning:** A triangular warning sign with an exclamation mark is positioned to the right of the electrical icon.
- Personnel:** A stick figure icon is shown to the right, with the number "1" below it, indicating that one person is required for installation.

A

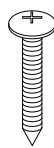


A



x 1

B



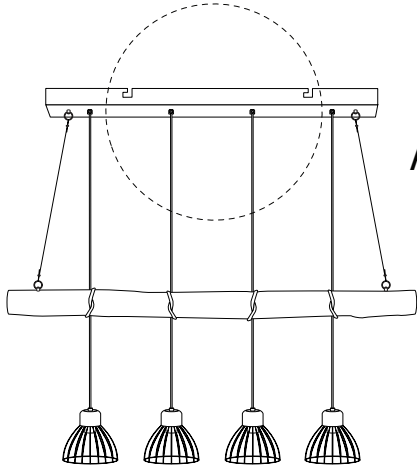
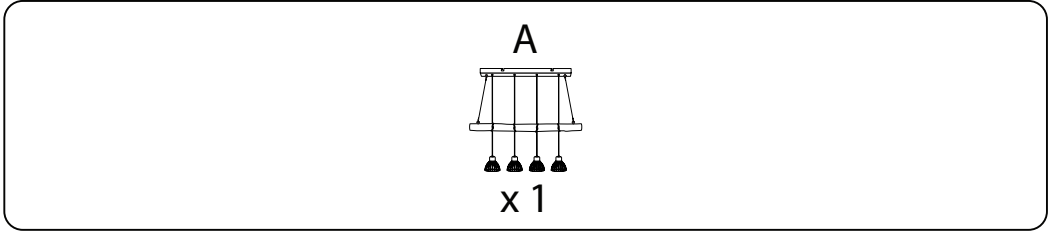
x 2

C



x 2

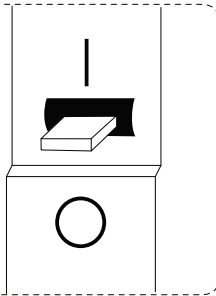
1



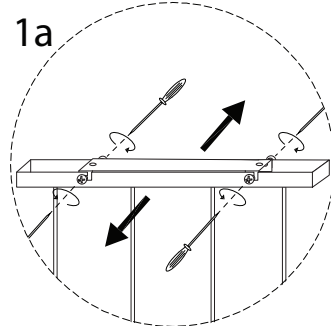
A



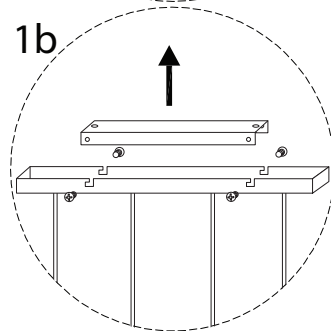
OFF



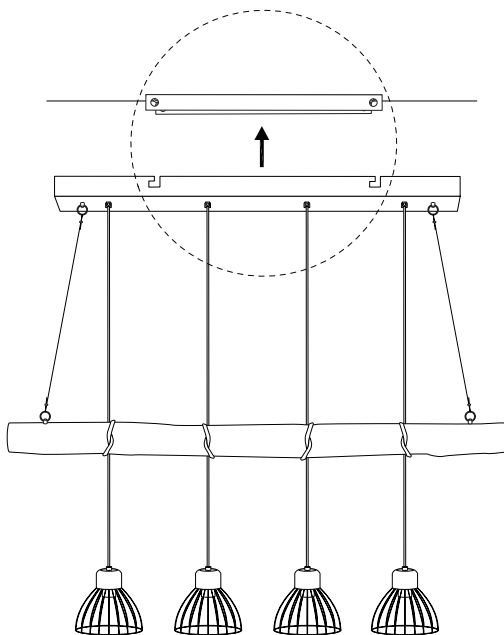
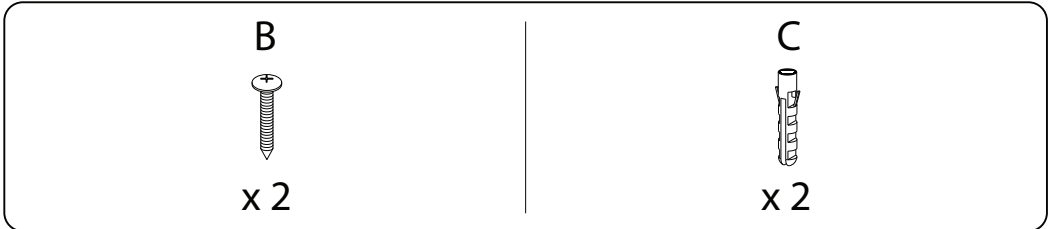
1a



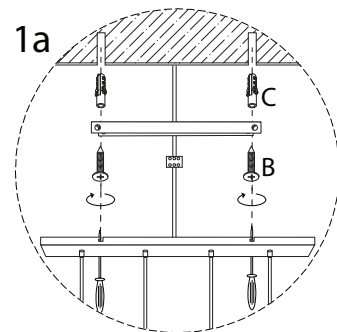
1b



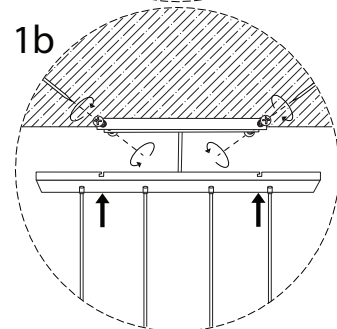
2



1a



1b



3

