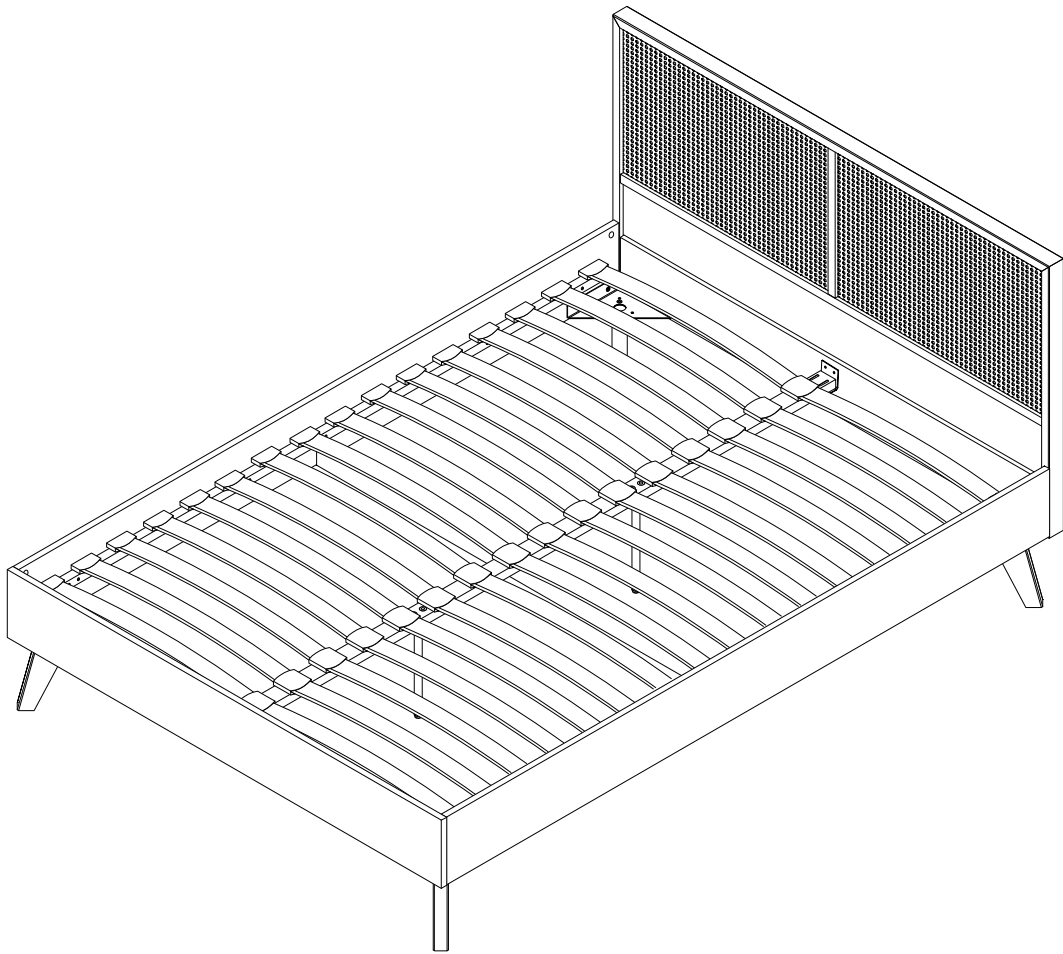
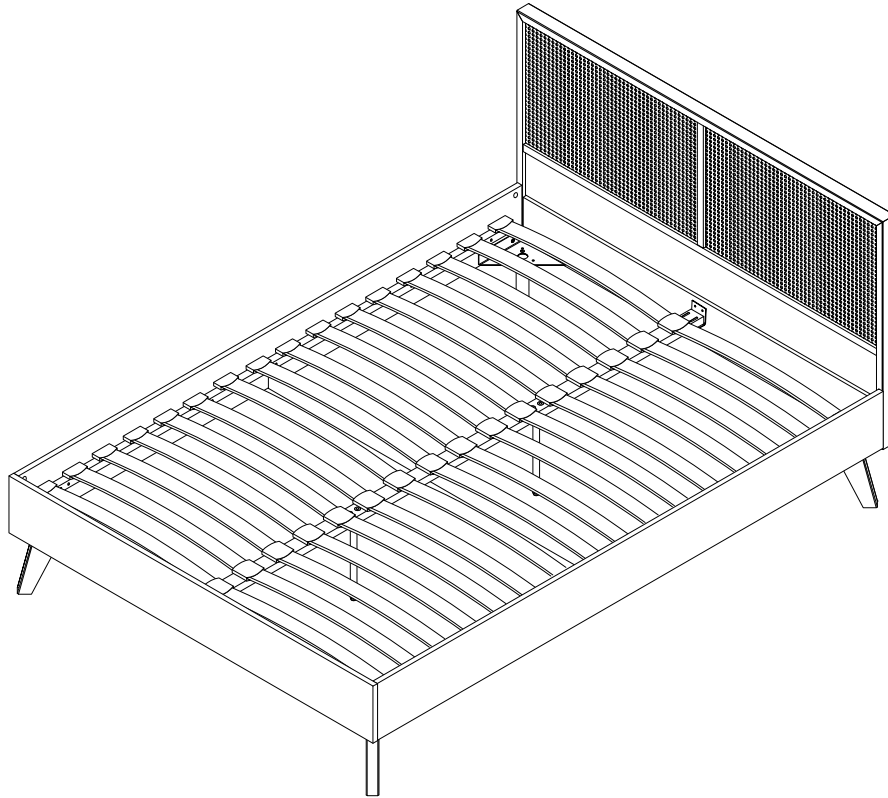
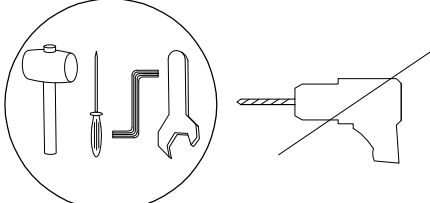

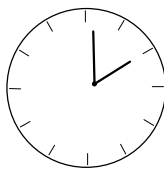
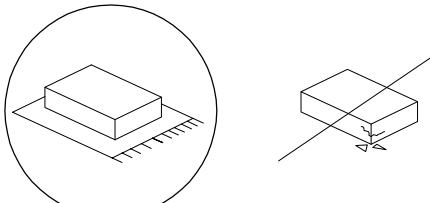

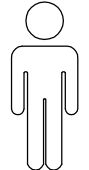
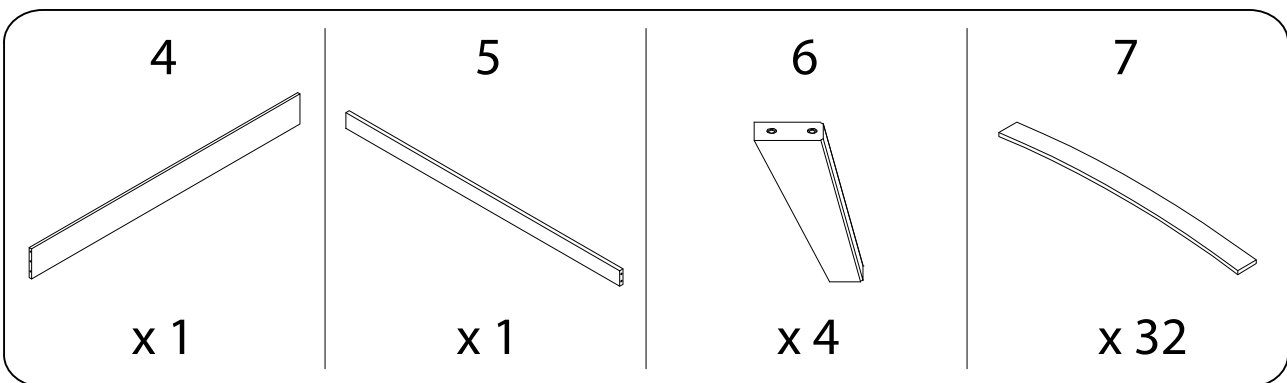
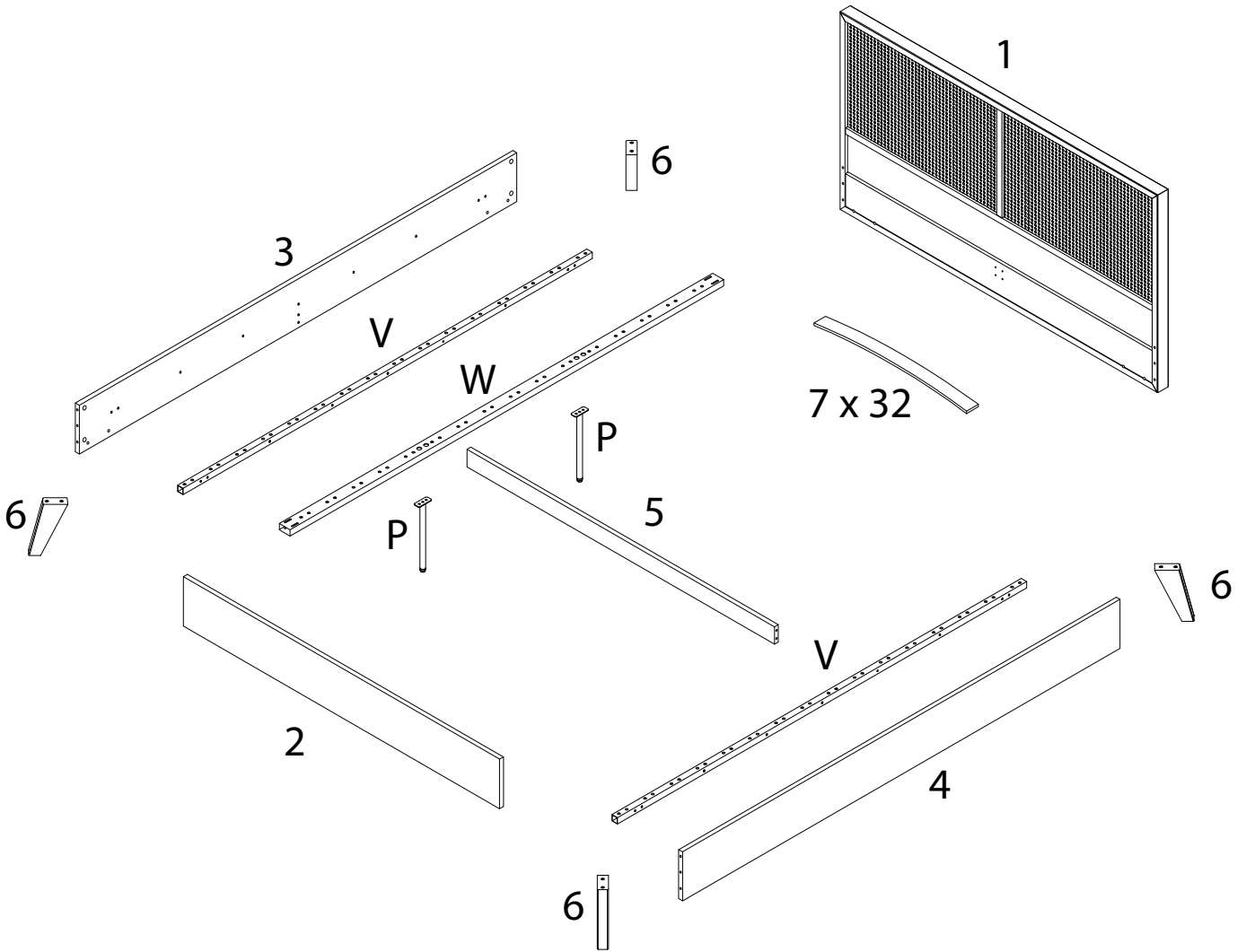
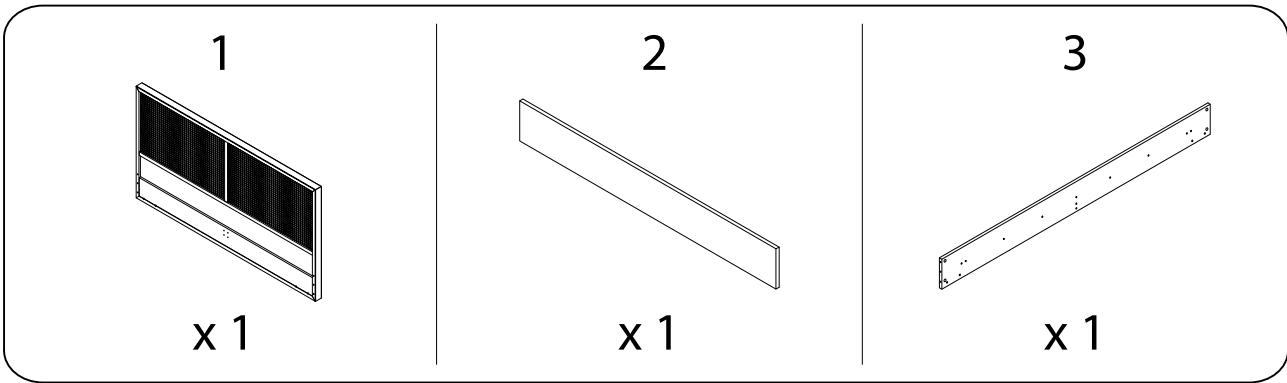


MONPAZIER

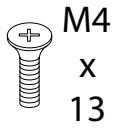




		
		<p>120'</p>
		
		<p>2</p>

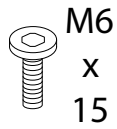


A



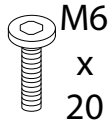
x 4

B



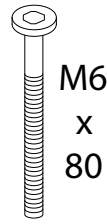
x 16

C



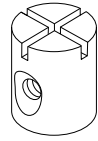
x 12

D



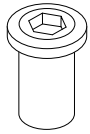
x 4

E



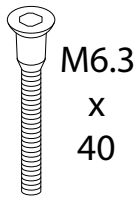
x 4

F



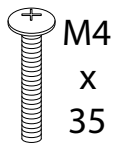
x 4

G



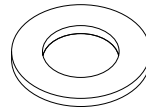
x 18

H



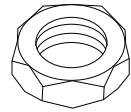
x 8

J



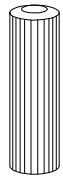
x 8

K



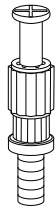
x 8

L



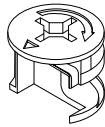
x 6

M



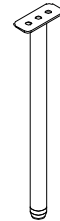
x 6

N



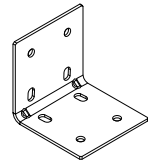
x 6

P



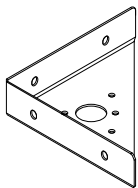
x 2

Q



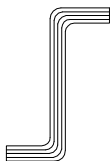
x 2

R



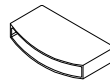
x 4

S



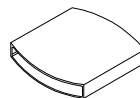
x 1

T



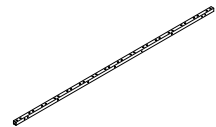
x 32

U



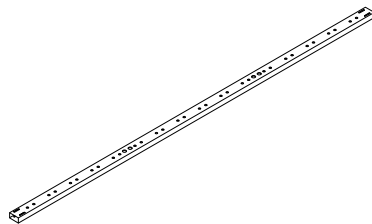
x 16

V



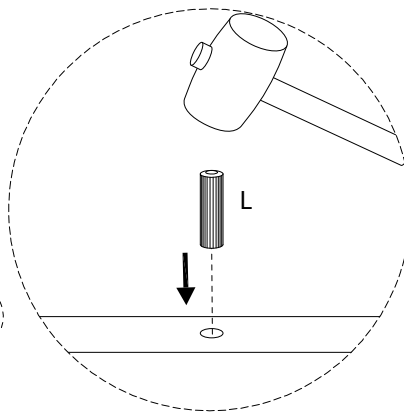
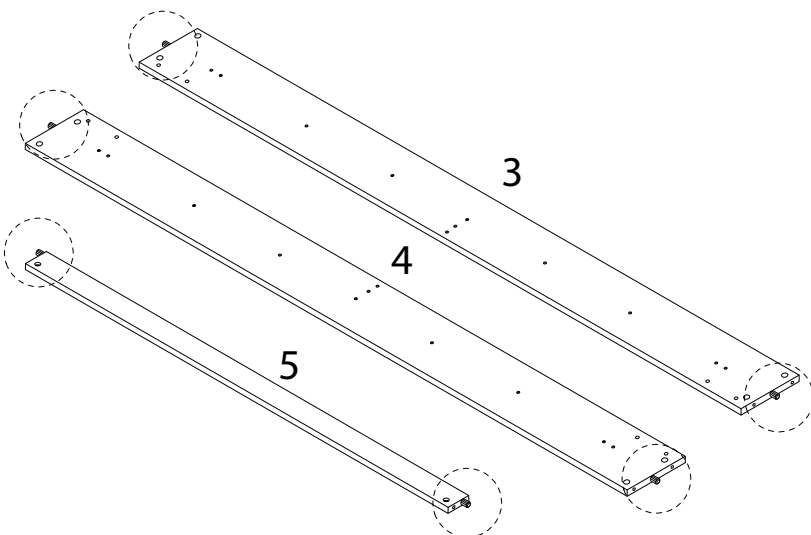
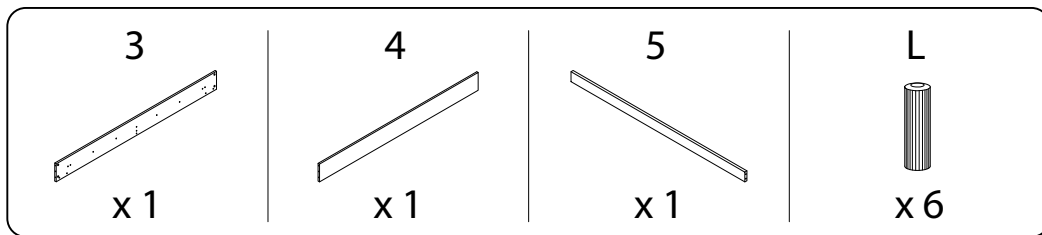
x 2

W

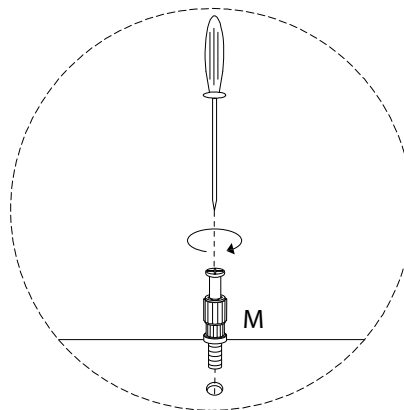
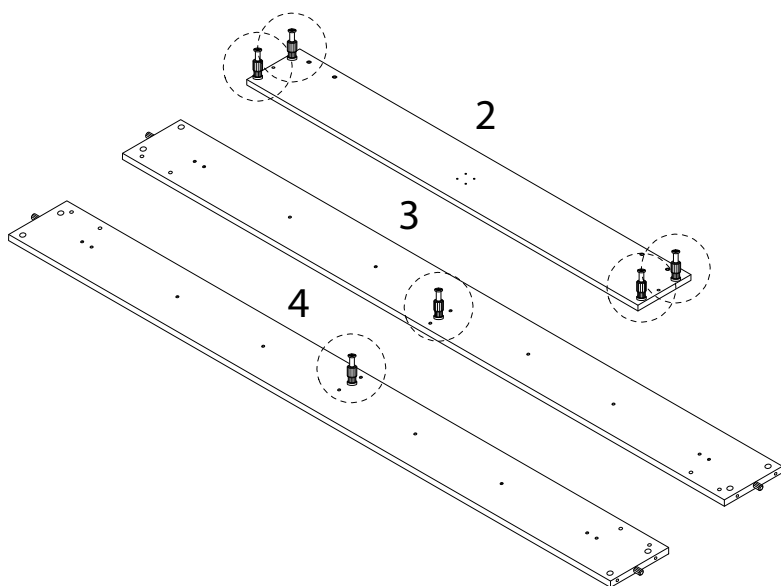
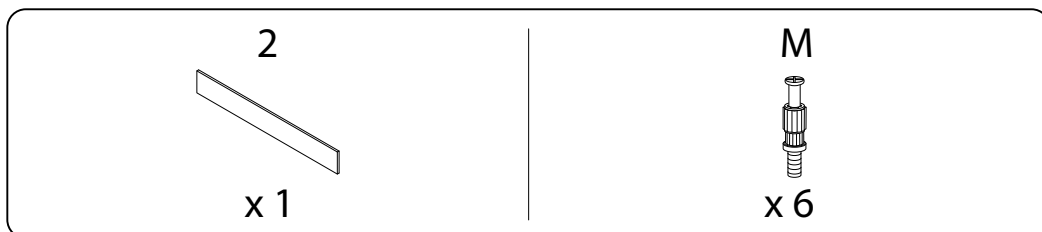


x 1

1



2



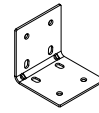
3

A

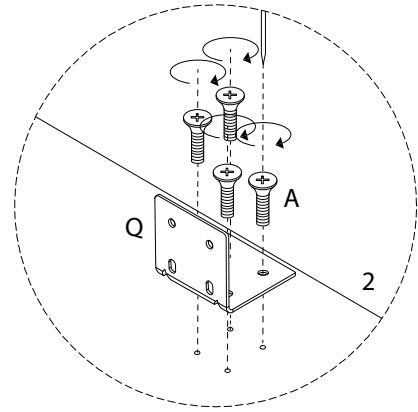
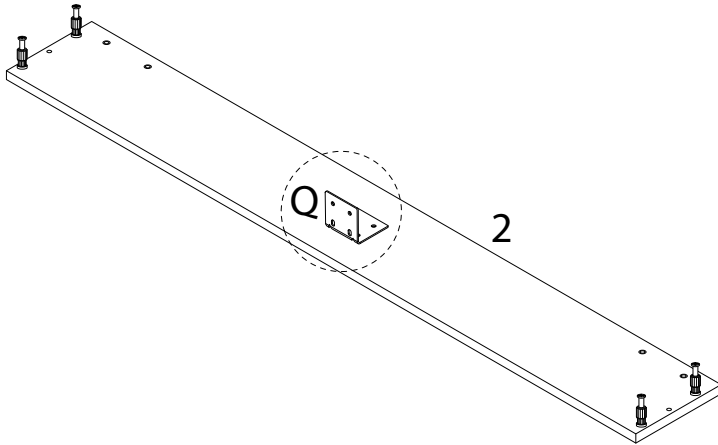


x 4

Q

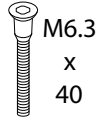


x 1



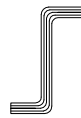
4

G



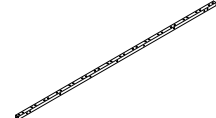
x 18

S

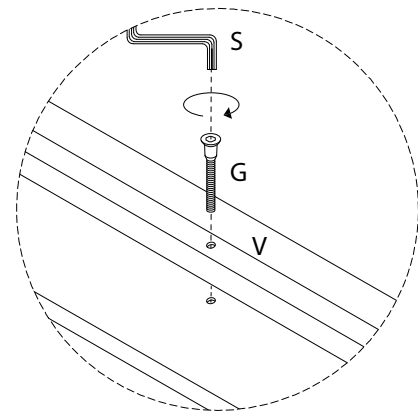
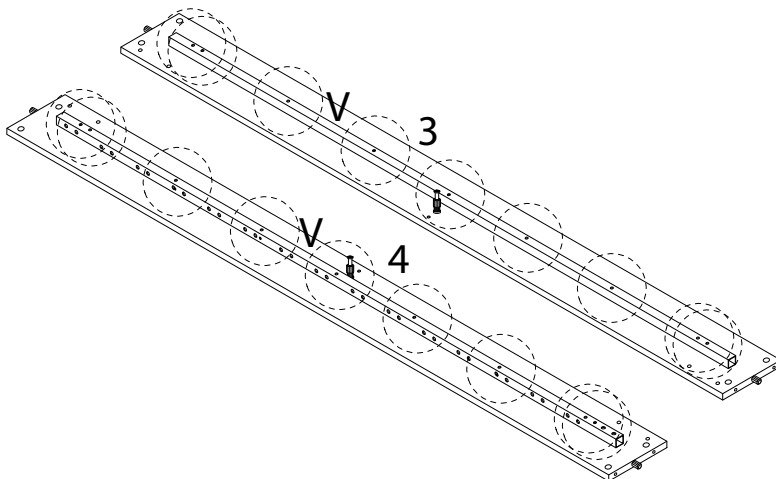


x 1

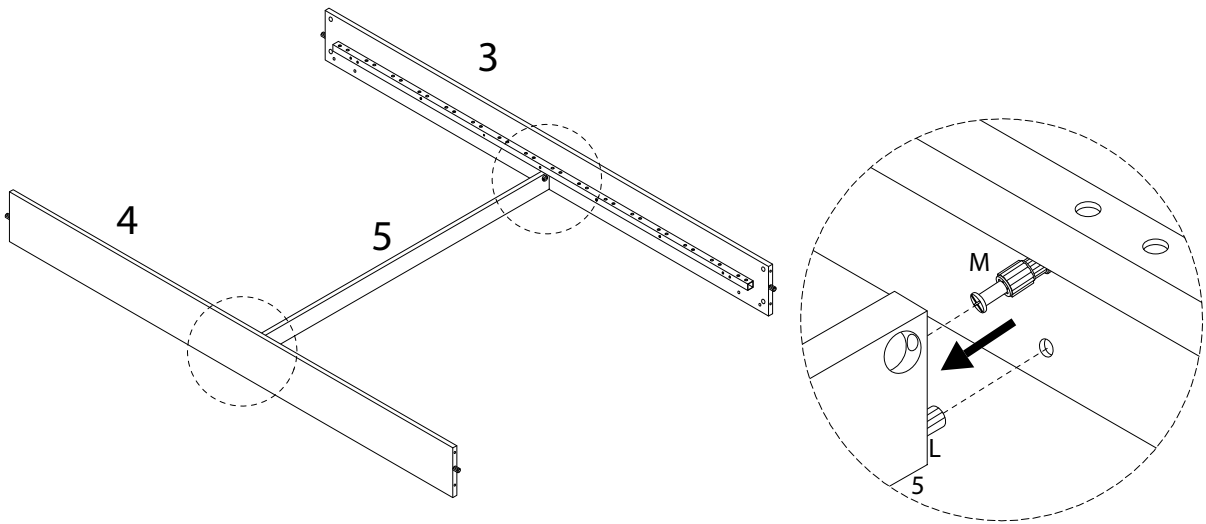
V



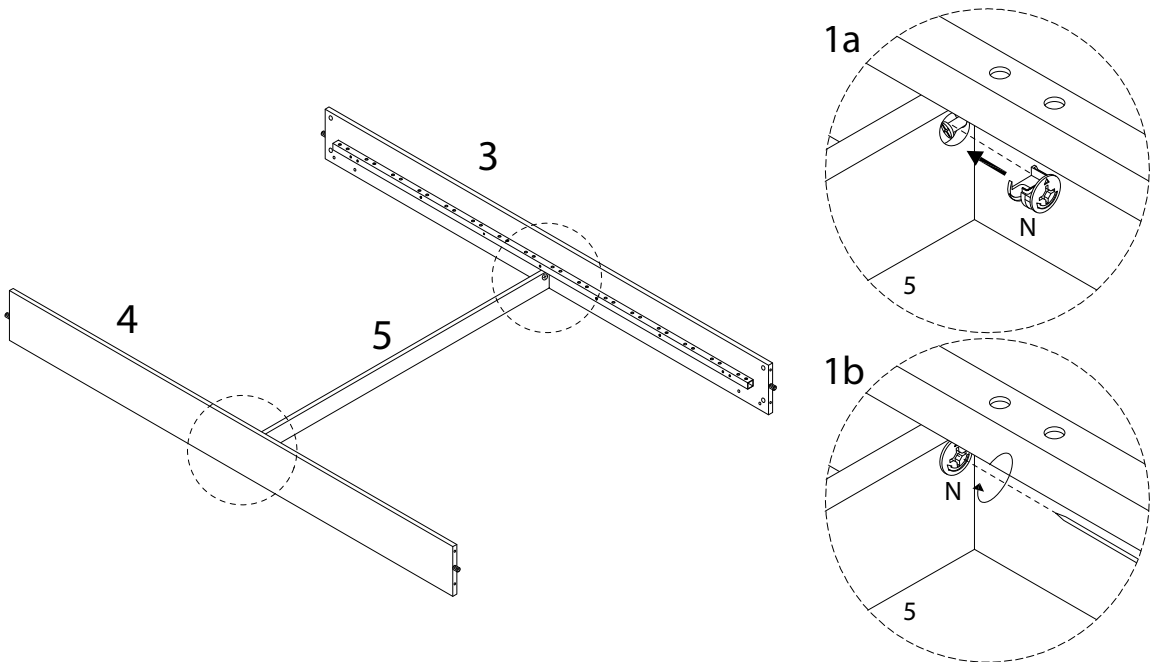
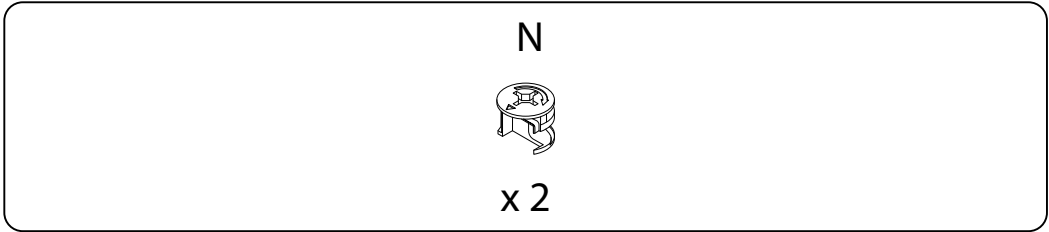
x 2



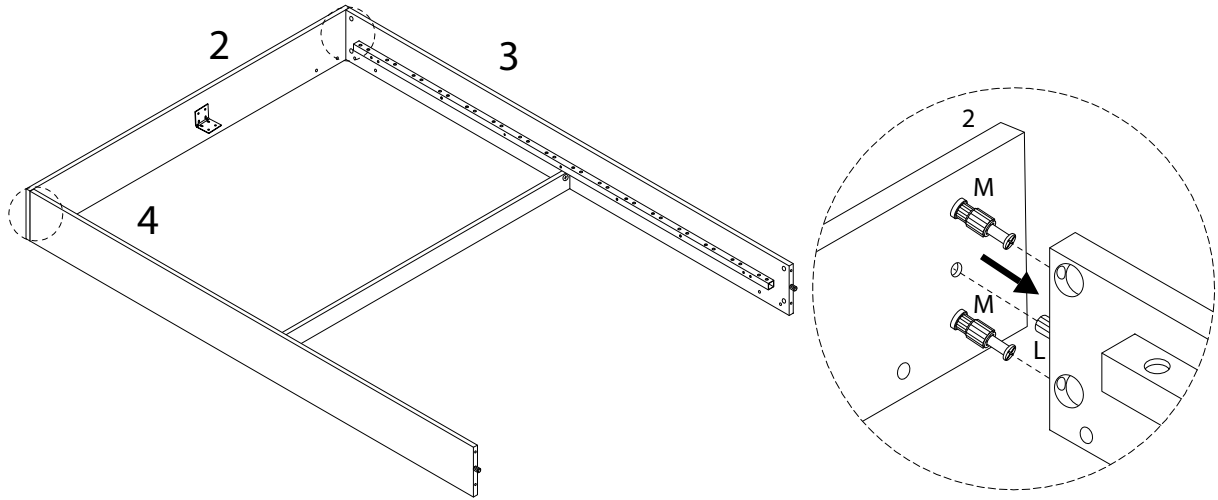
5




6

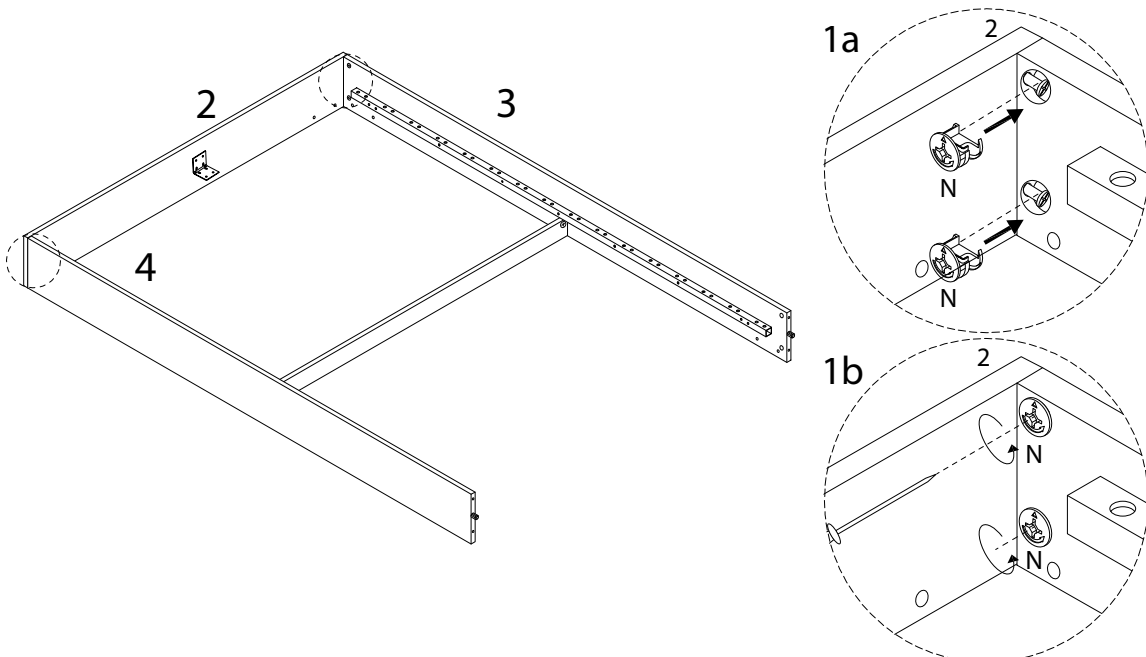


7

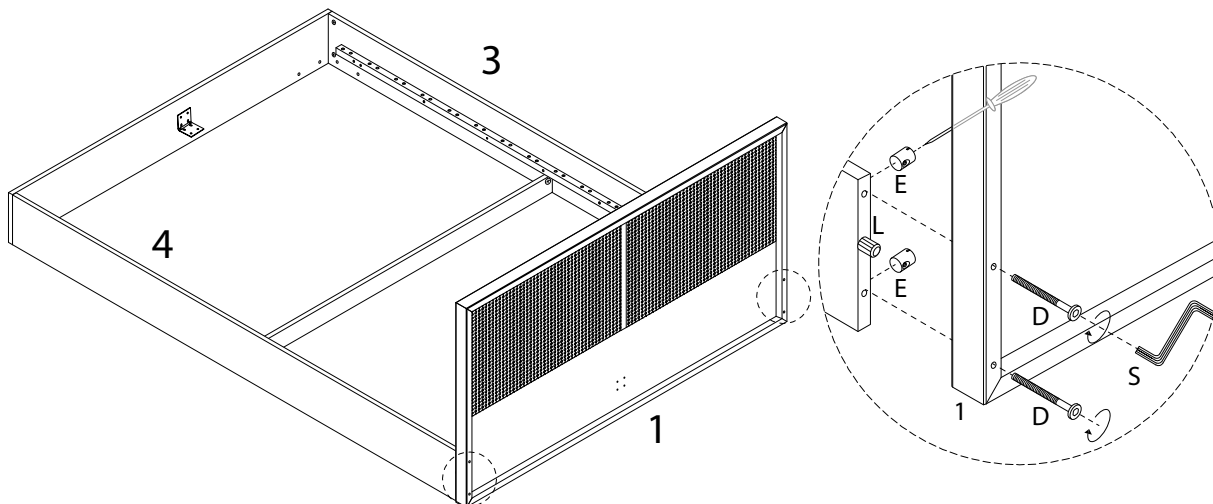
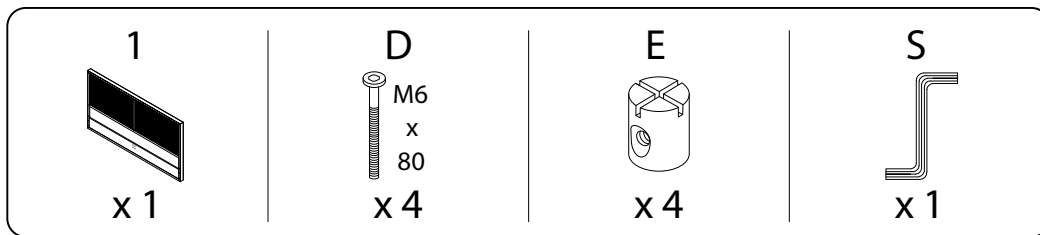


8

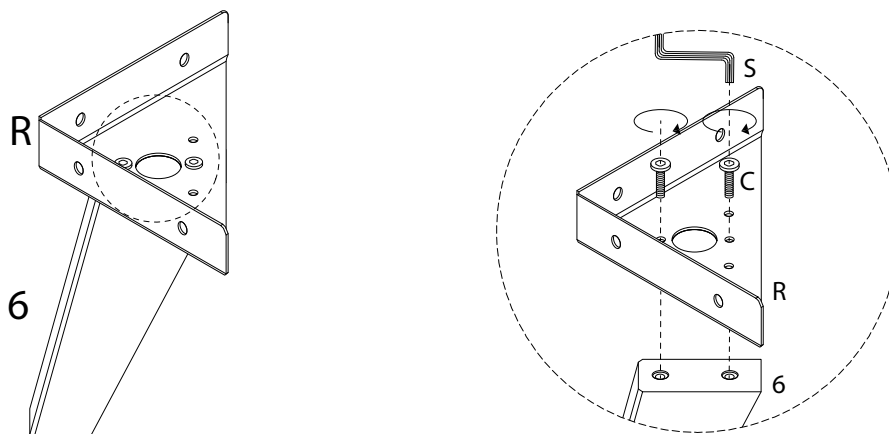
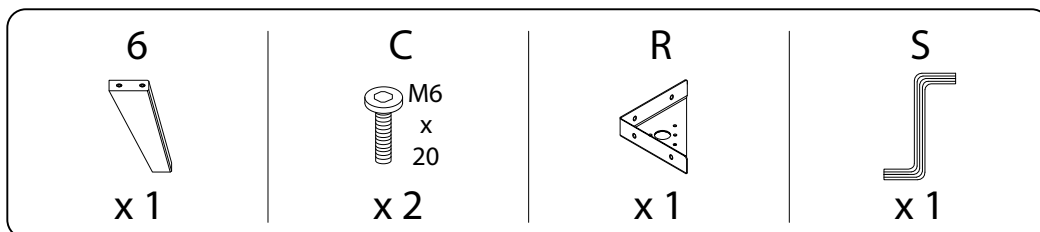
N

x 4



9

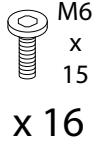


10 x 4

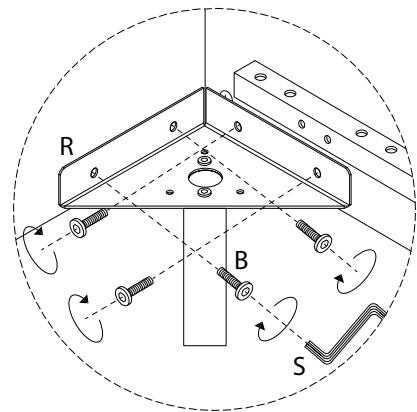
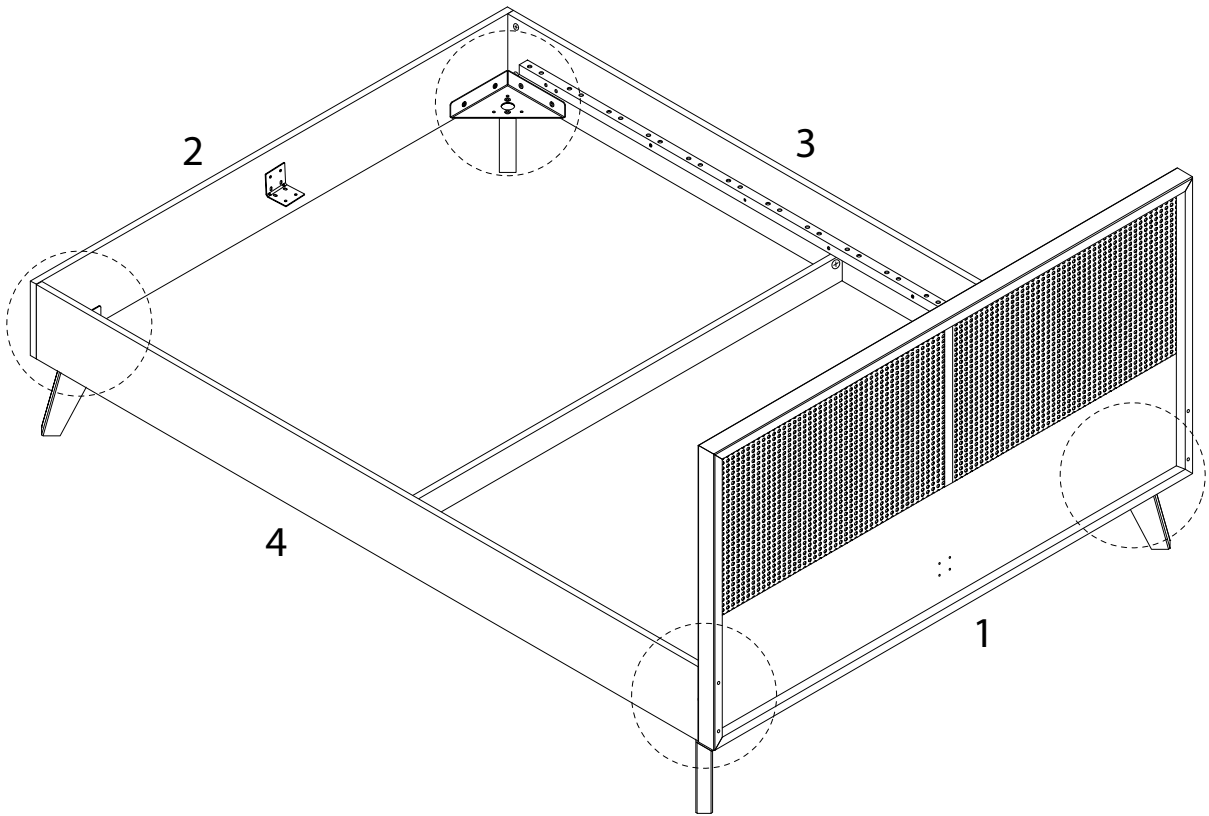


11

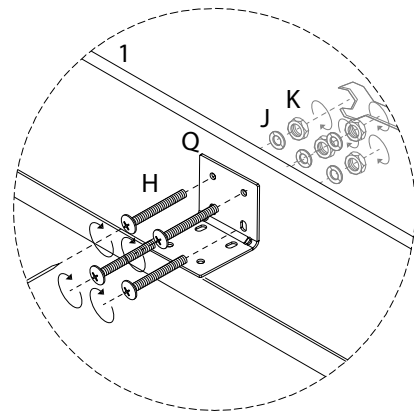
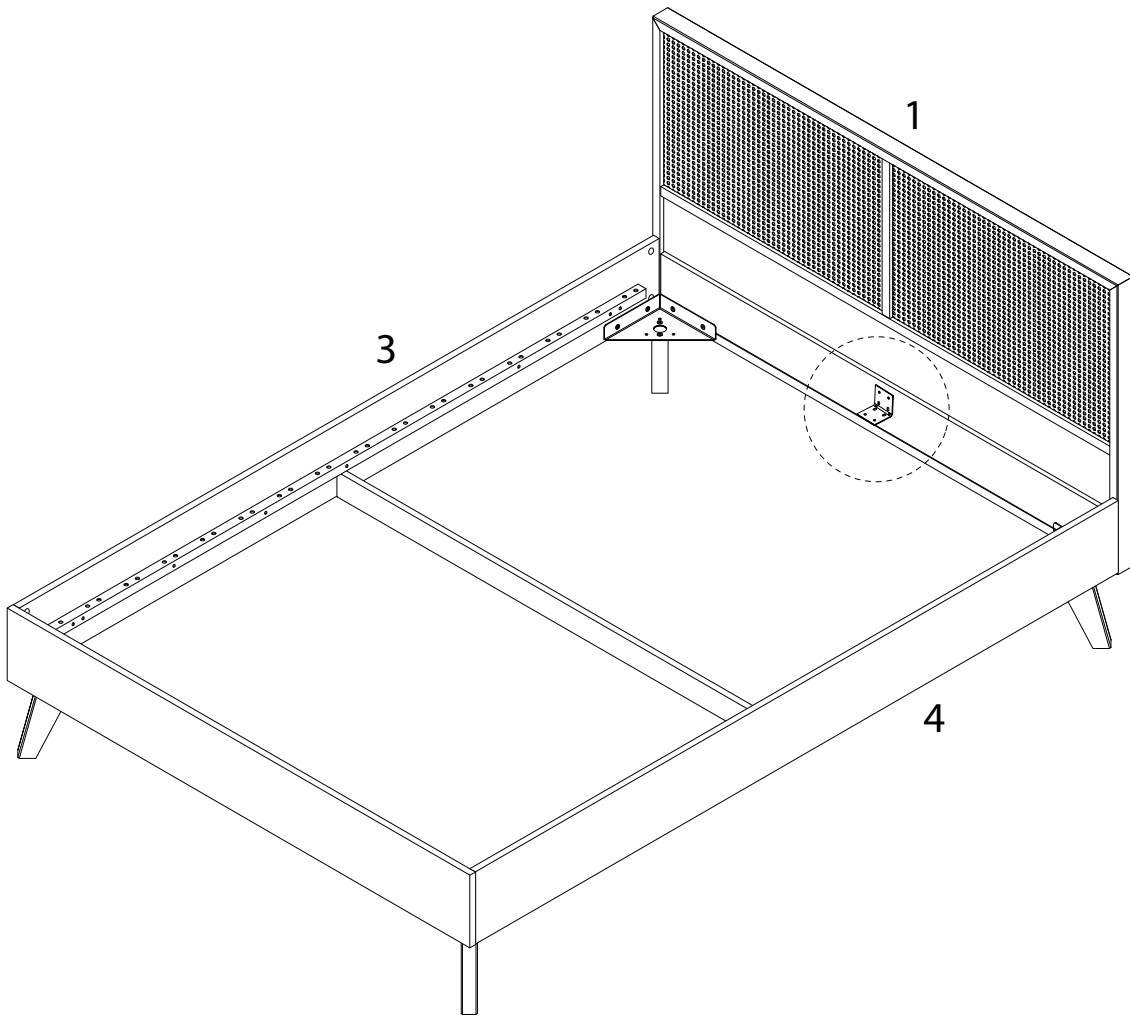
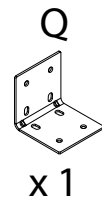
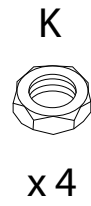
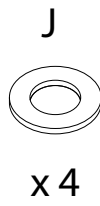
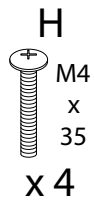
B



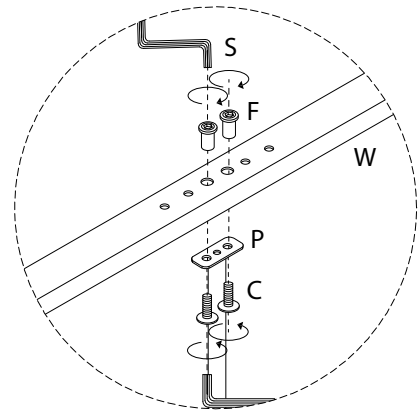
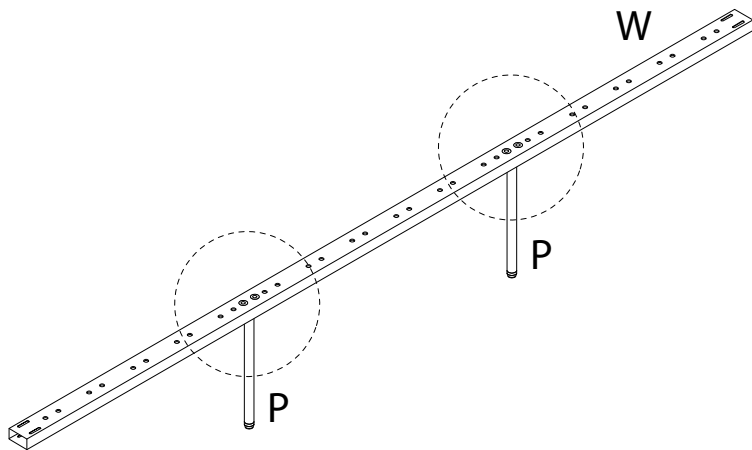
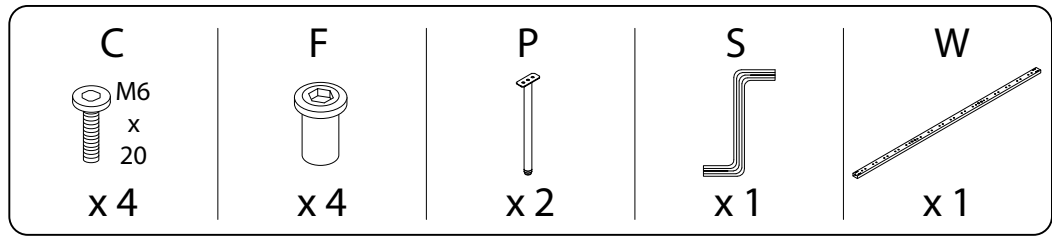
S



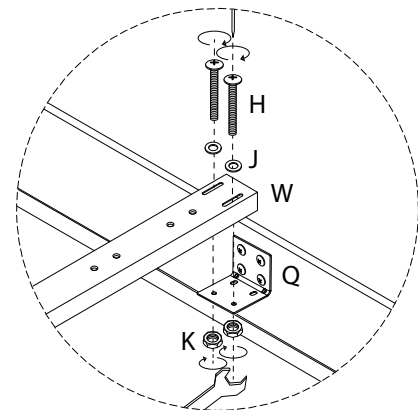
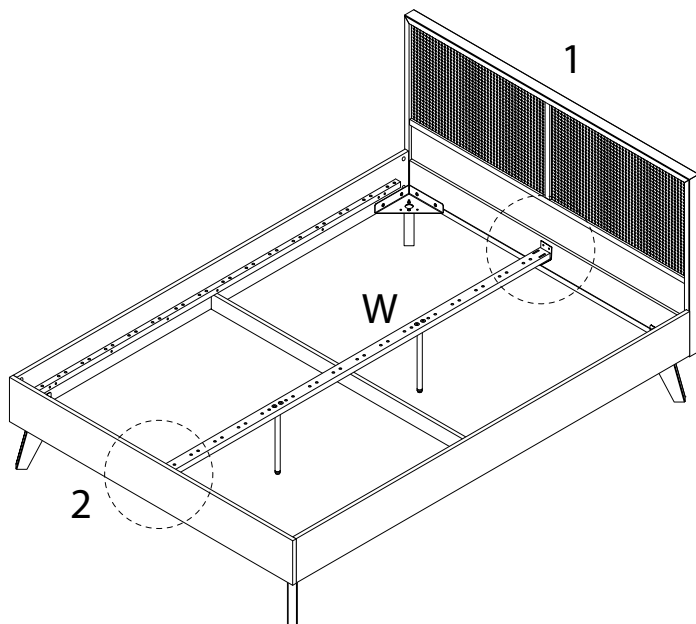
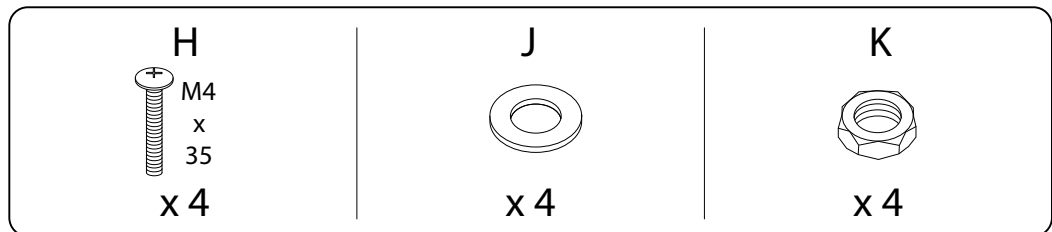
12



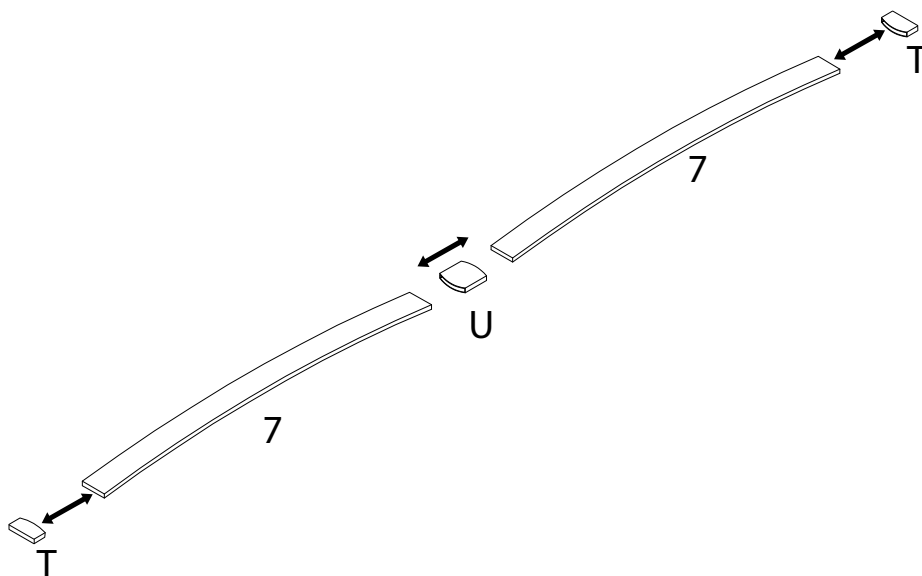
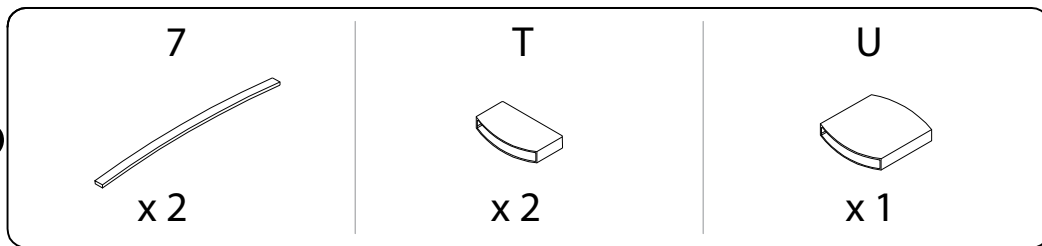
13



14



15 x 16



16

