

GUTIERE





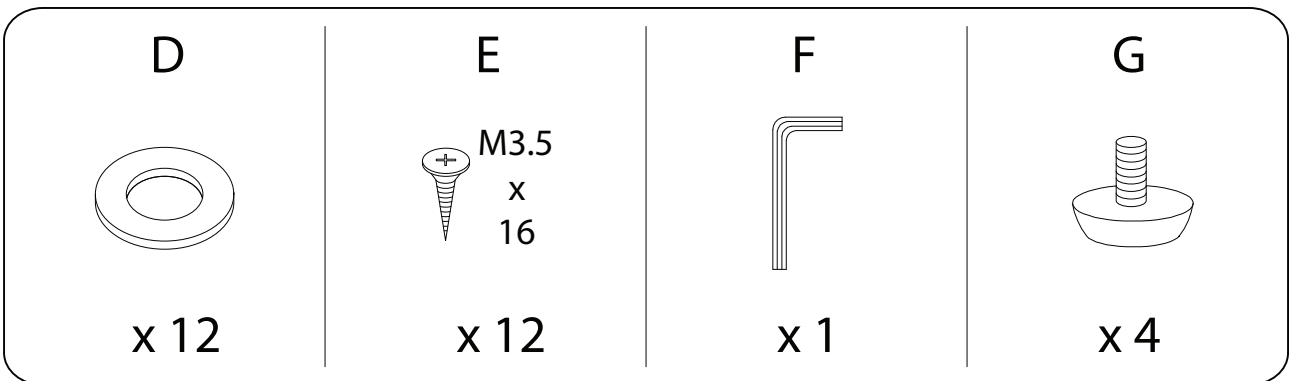
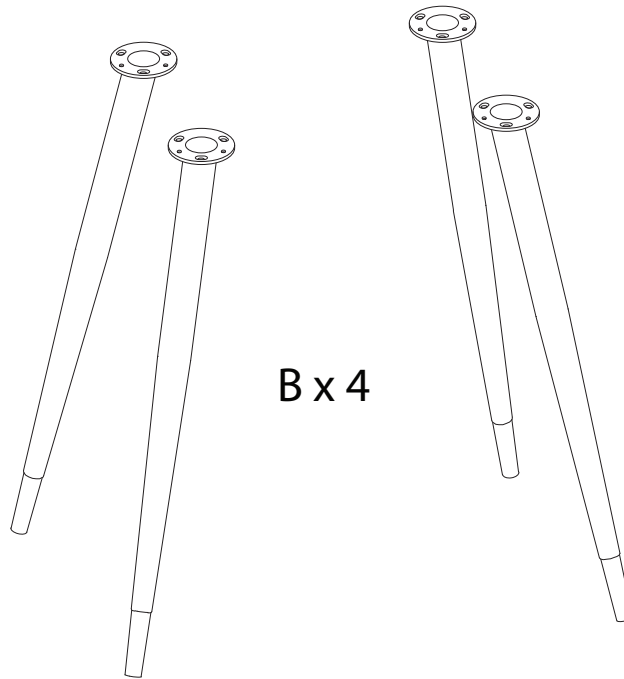
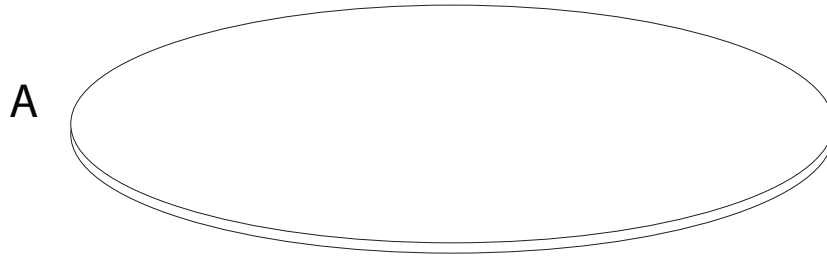
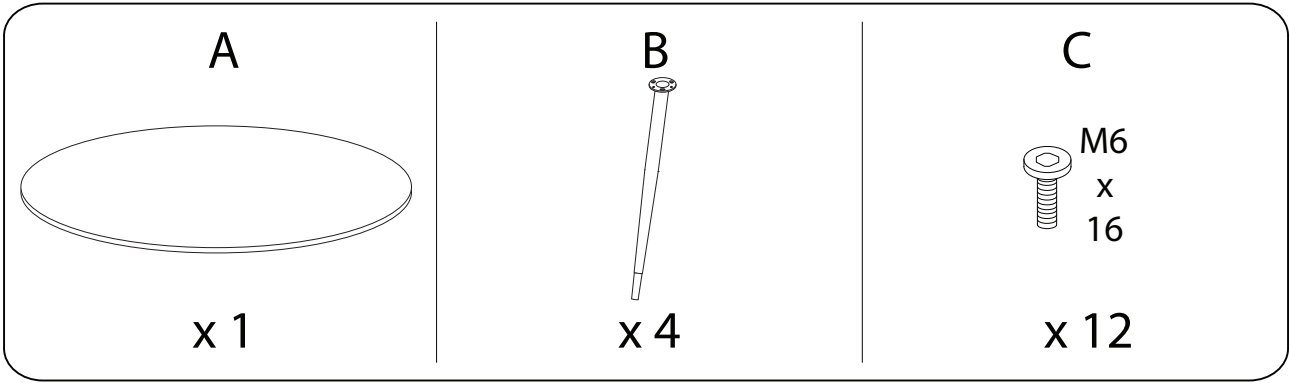
Assembly instructions for the table, including tool requirements, time, and personnel.

Tools: A circle containing a screwdriver and an Allen key, with a crossed-out power drill icon next to it. A warning triangle is positioned to the right of this box.

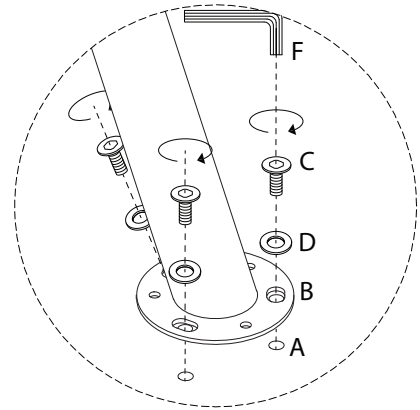
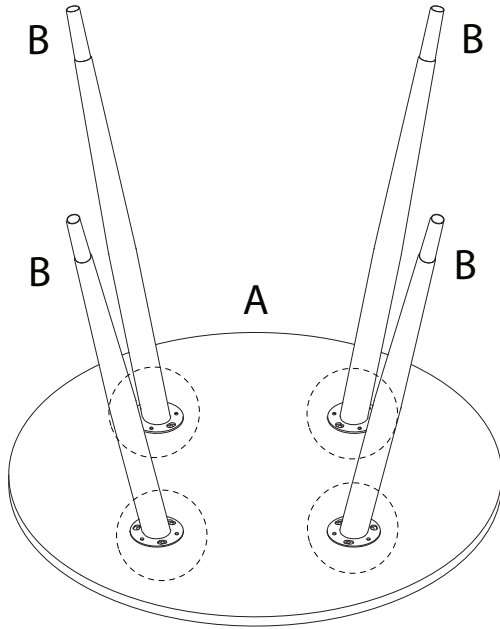
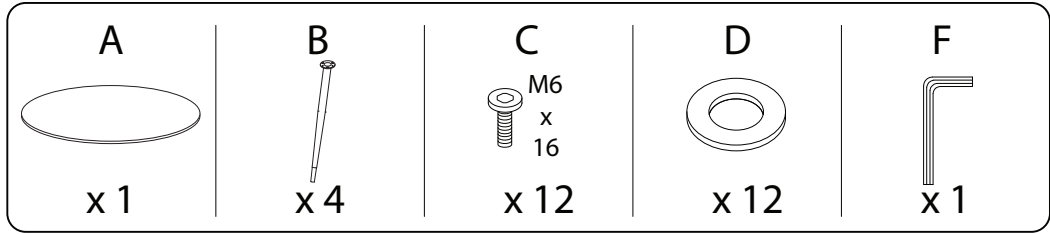
Time: A clock icon with the text "30'" below it, indicating the estimated assembly time.

Personnel: A person icon with the number "2" below it, indicating that two people are required for assembly.

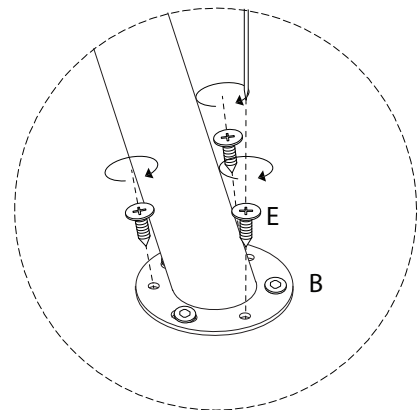
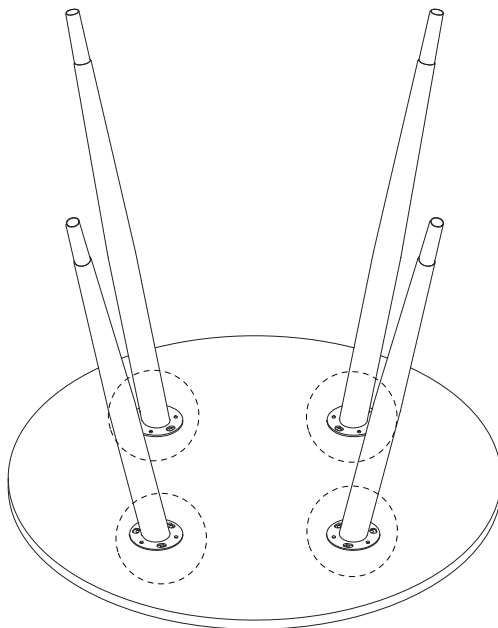
Warnings: A second warning triangle is located below the first one. Below this triangle is a diagram showing a rectangular block being placed on a surface with a diagonal line through it, indicating a warning about uneven or soft surfaces.



1



2



3

G



x 4

