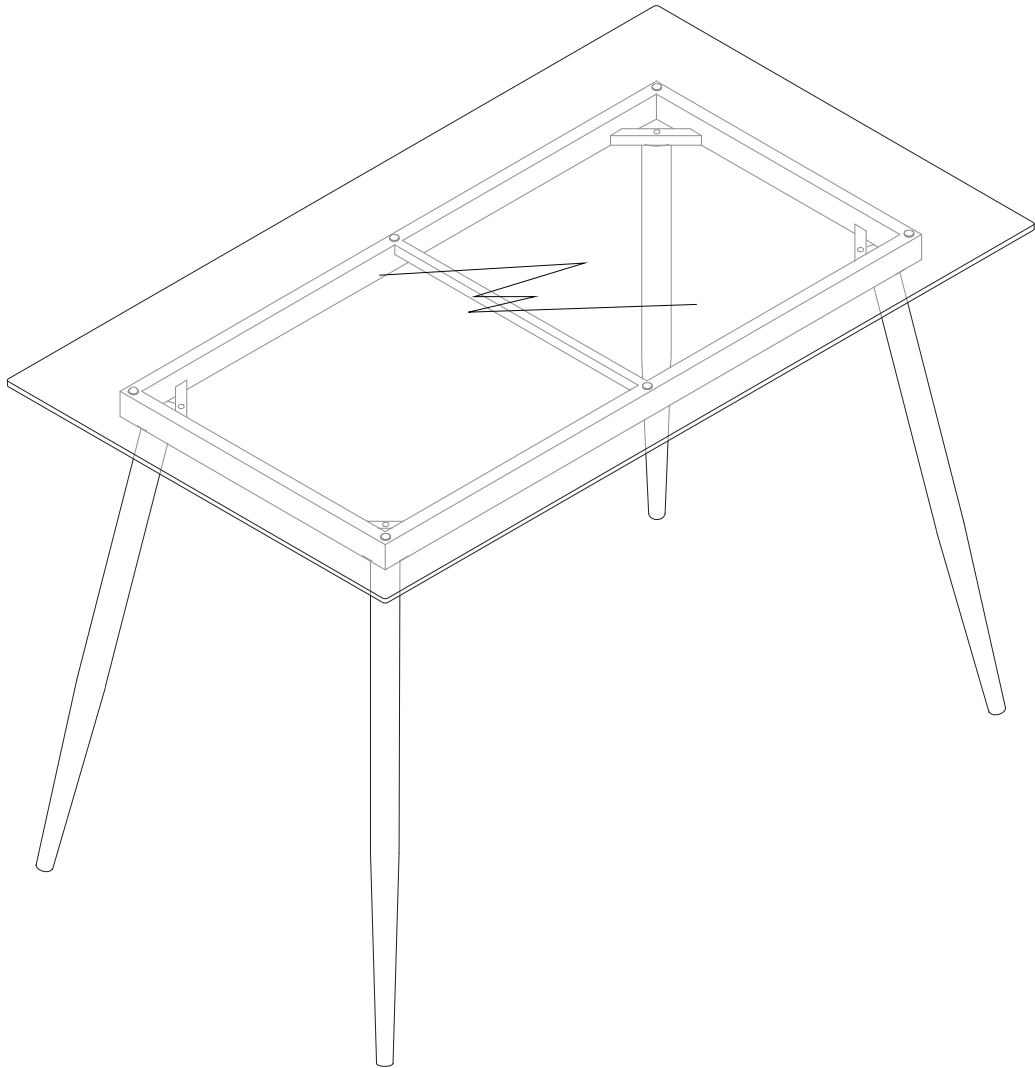
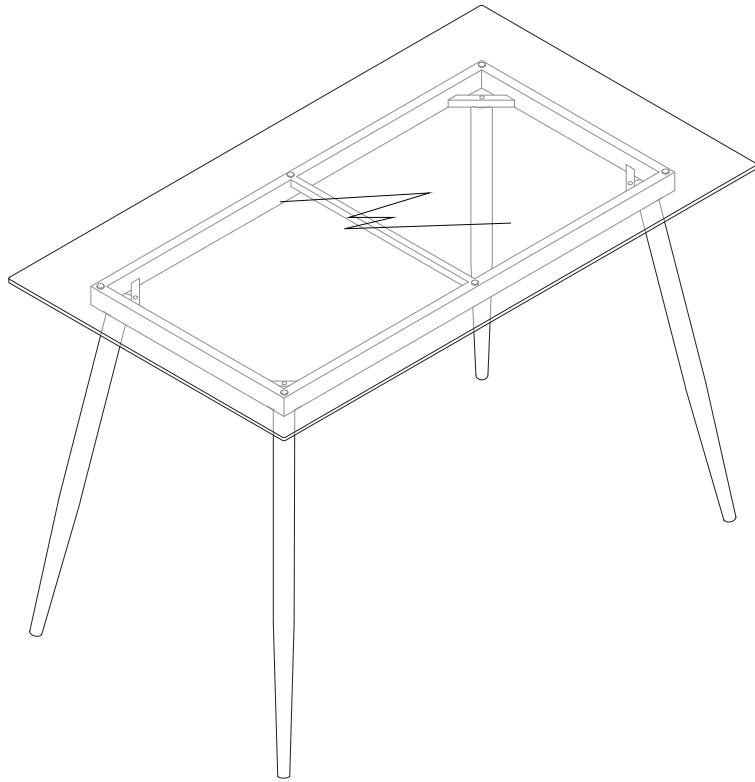


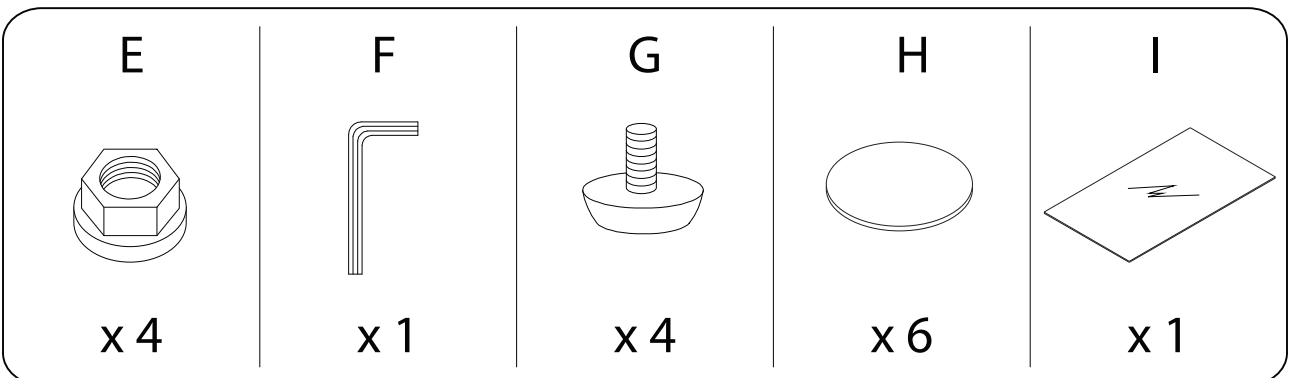
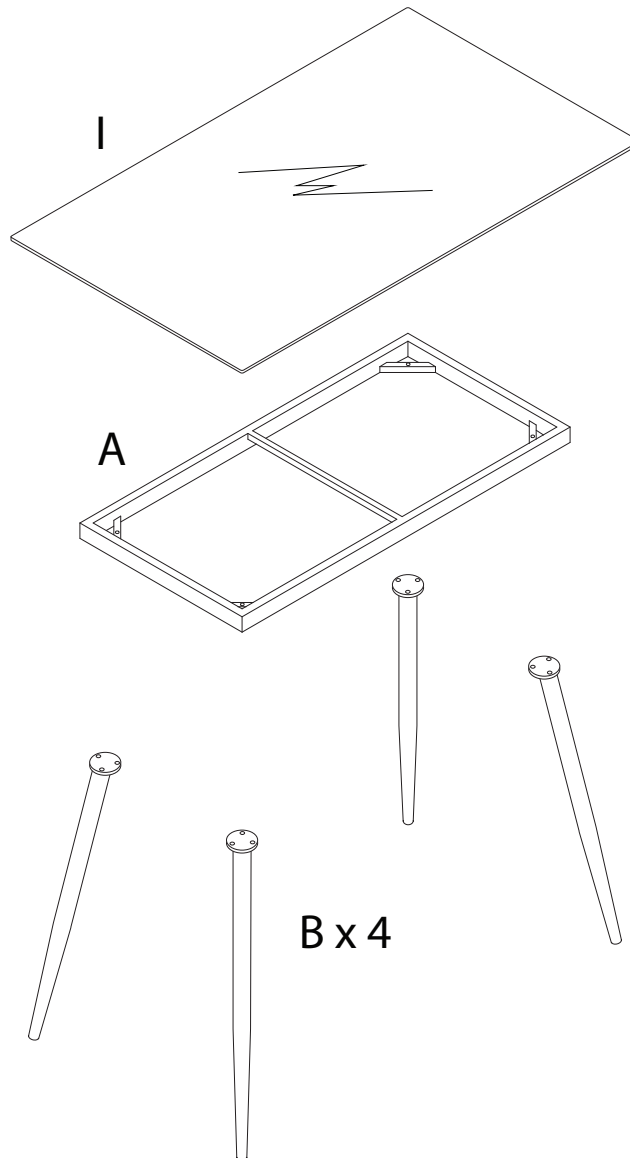
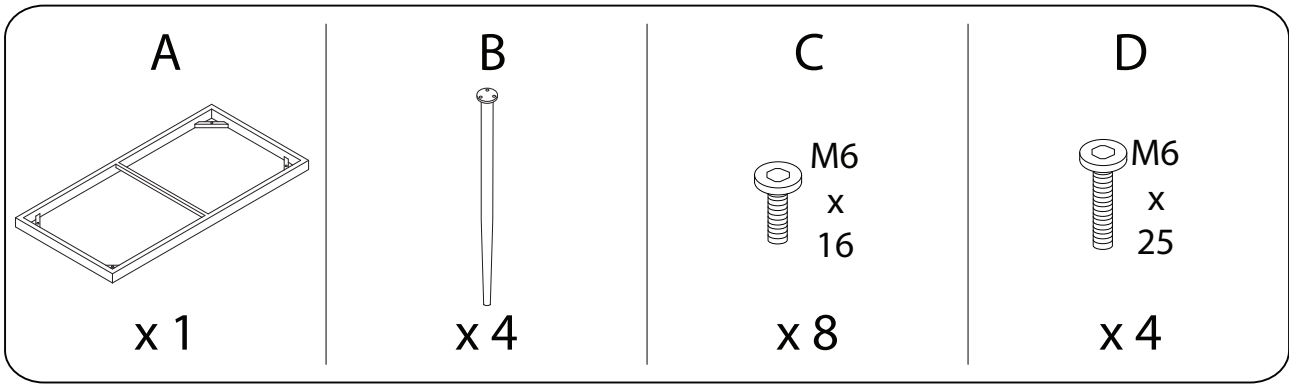
MULGA



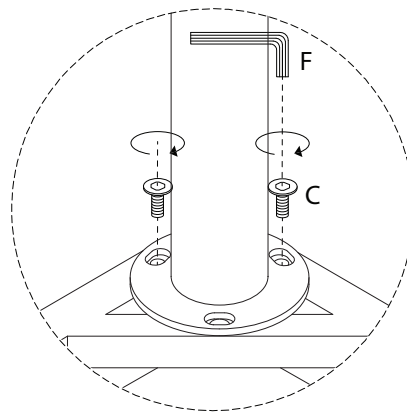
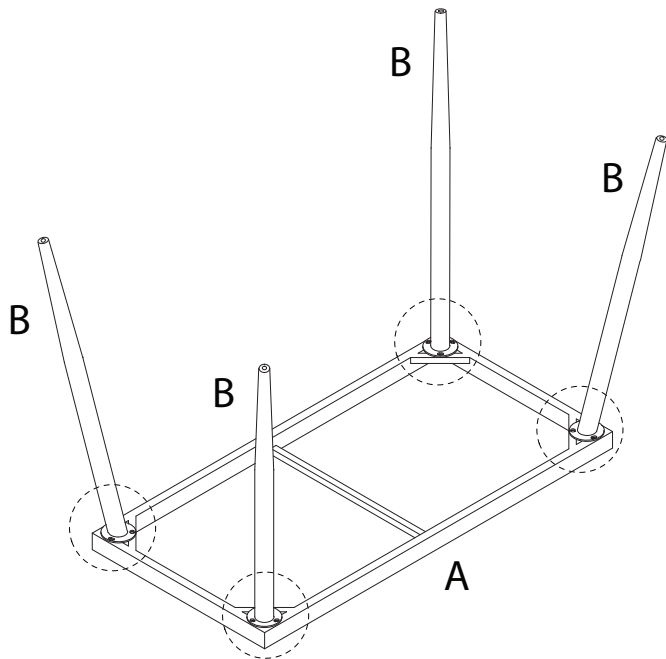
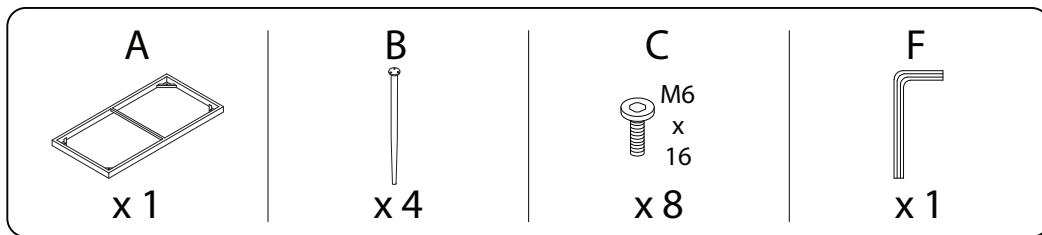


Assembly instructions for step 1/5:

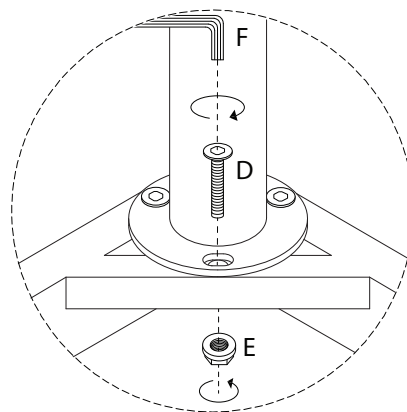
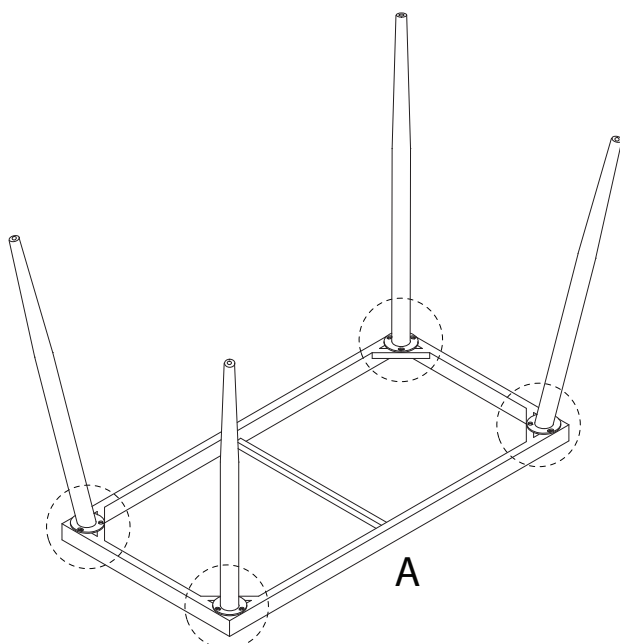
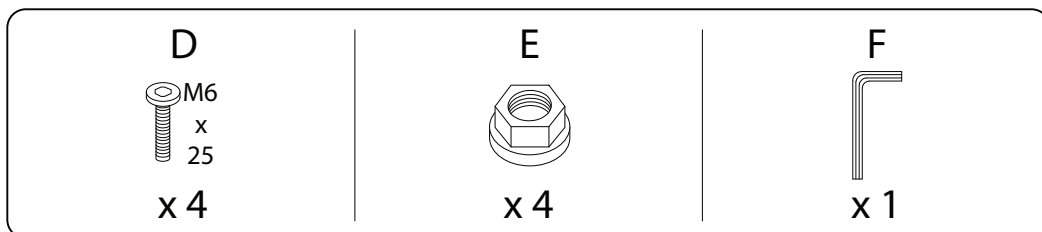
- Warning:** Do not use a power drill to tighten the L-shaped corner brackets. Use a screwdriver instead.
- Time:** 30 minutes.
- Warning:** Do not place the table on an uneven surface. Use a level to ensure it is flat.
- Personnel:** 2 people are required for assembly.



1

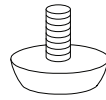


2

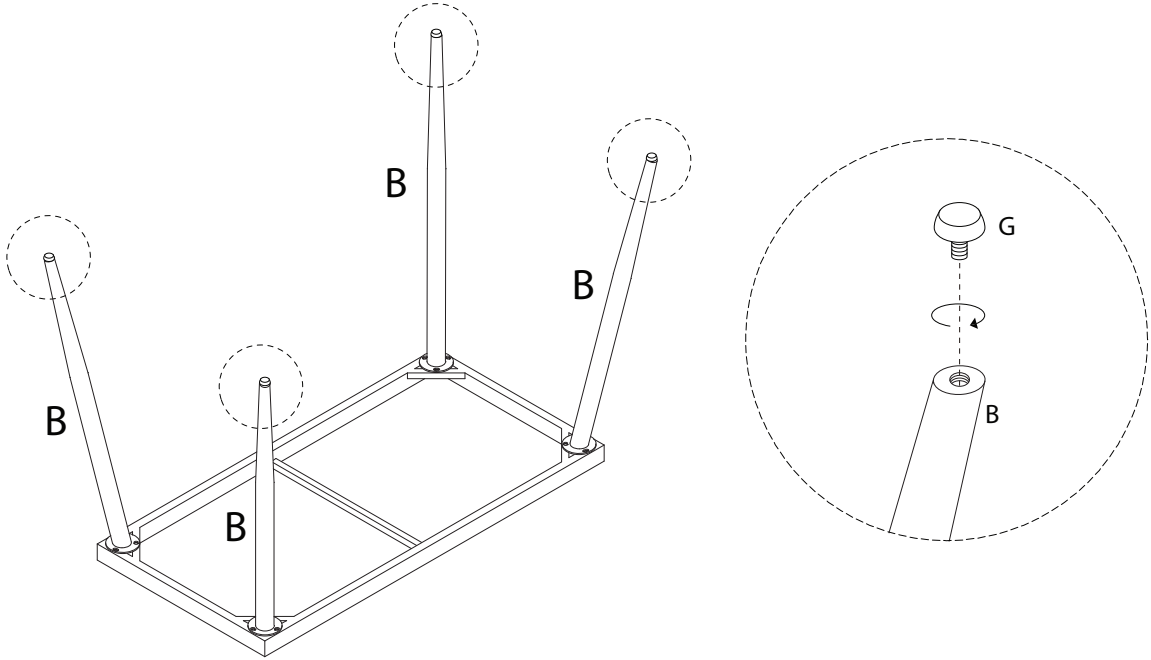


3

G



x 4

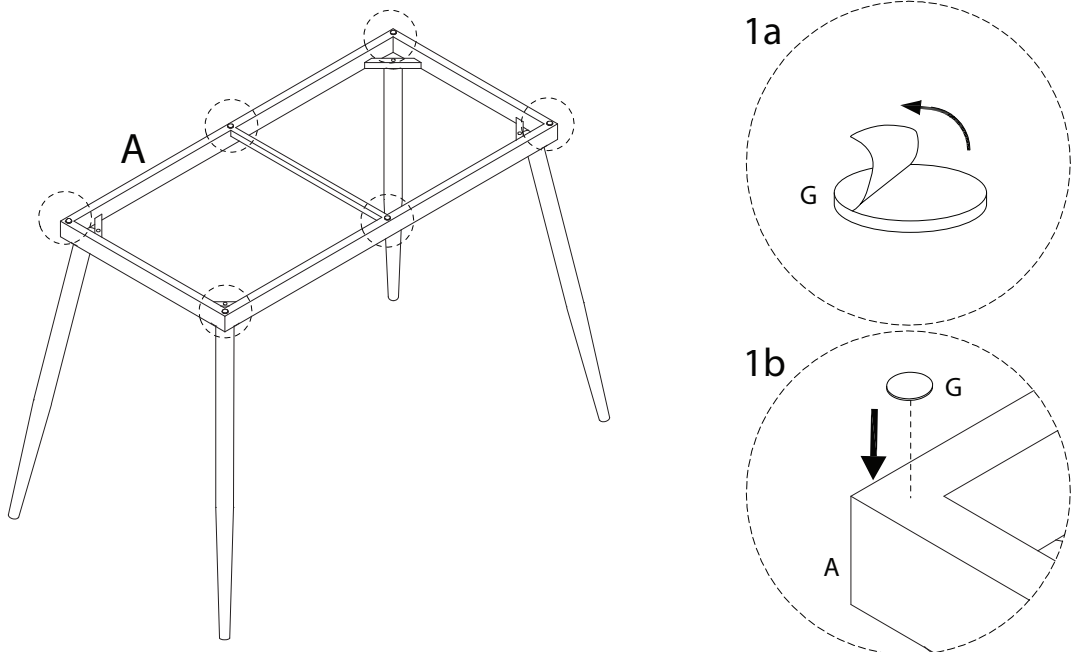


4

H



x 6



5

