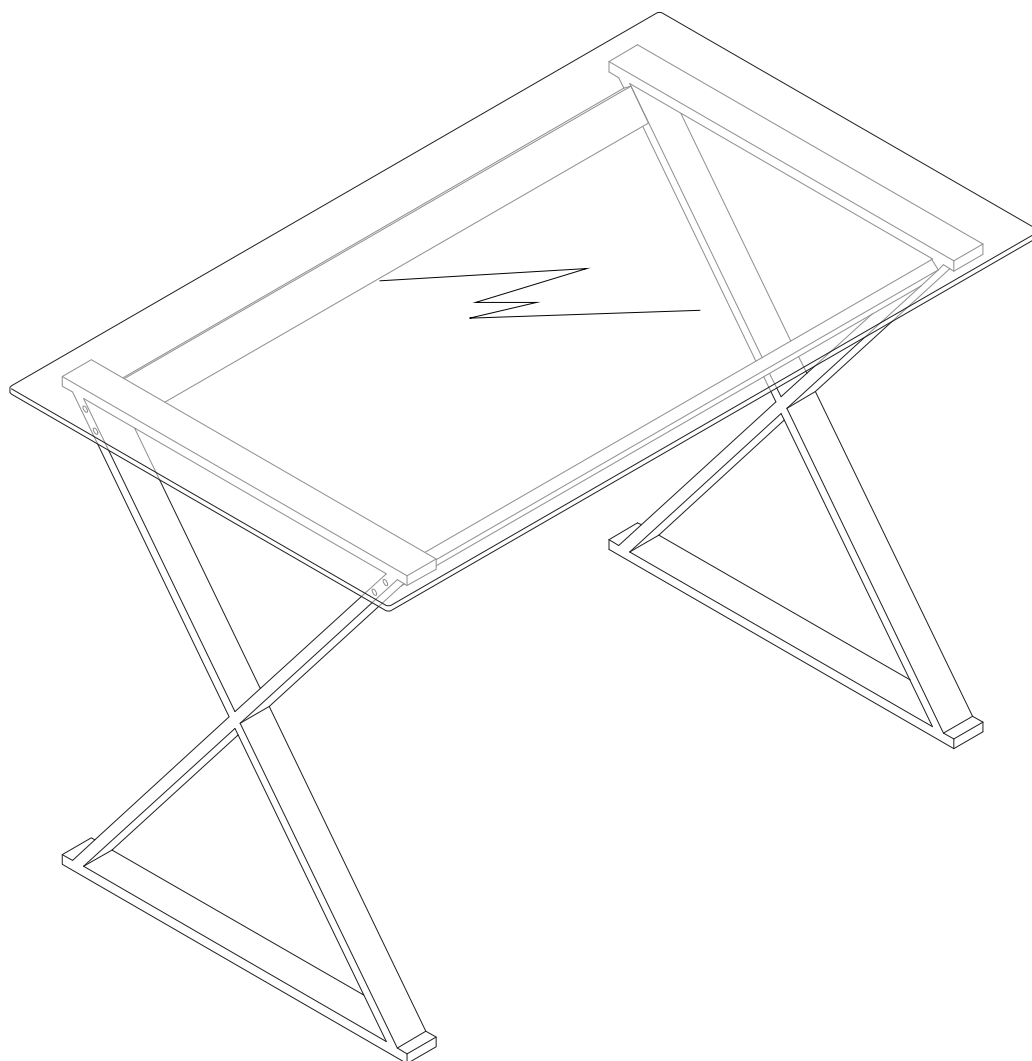
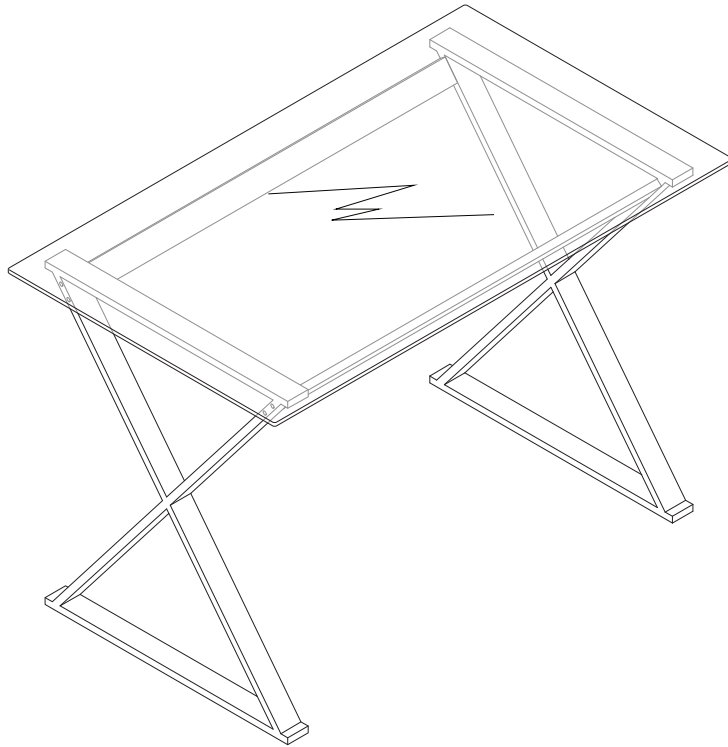
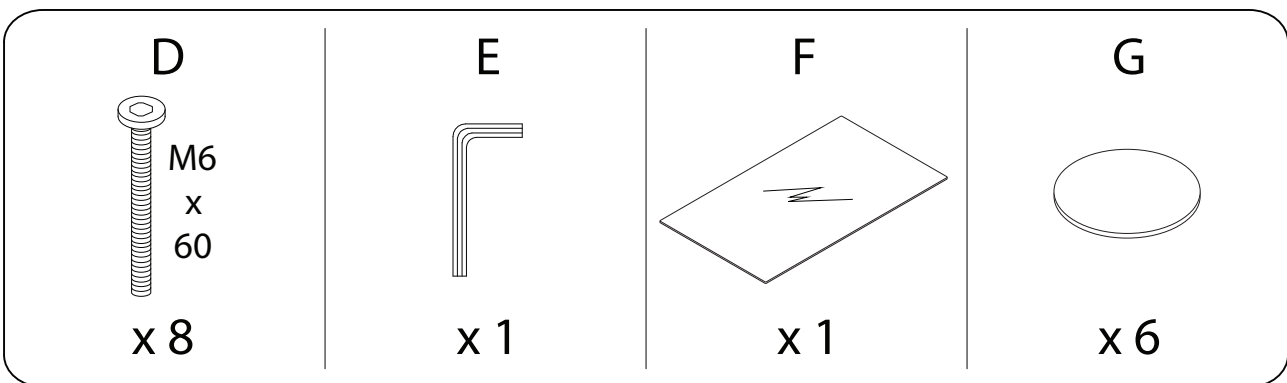
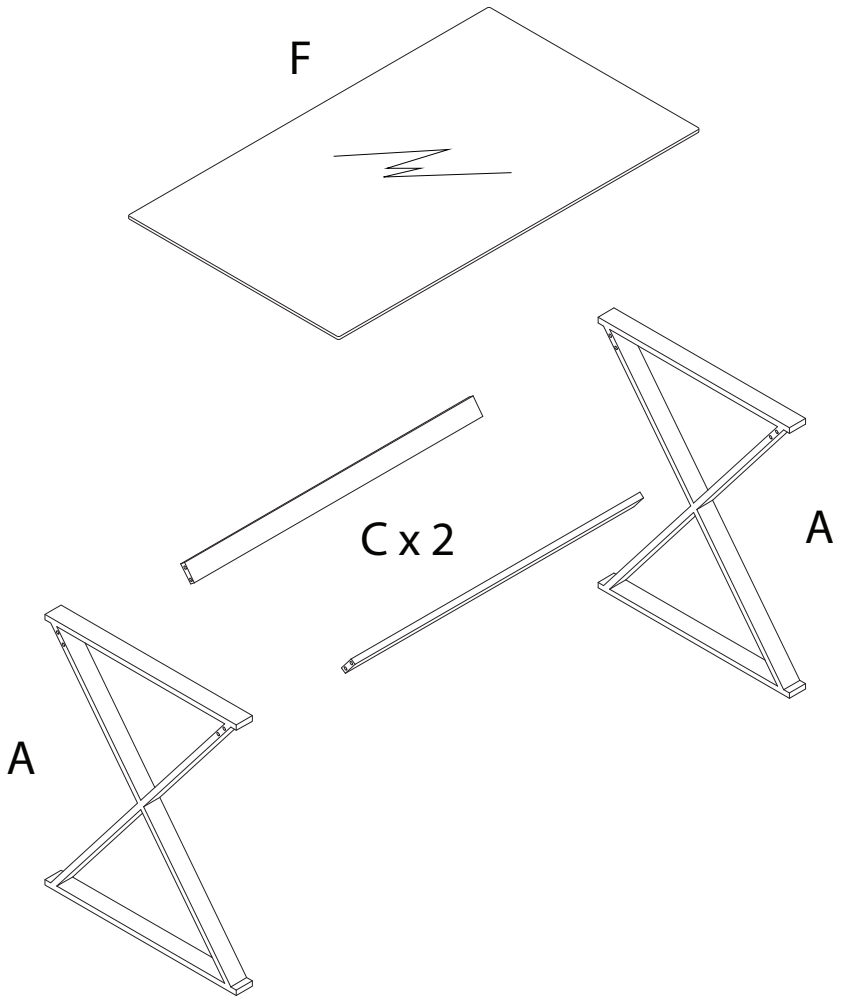
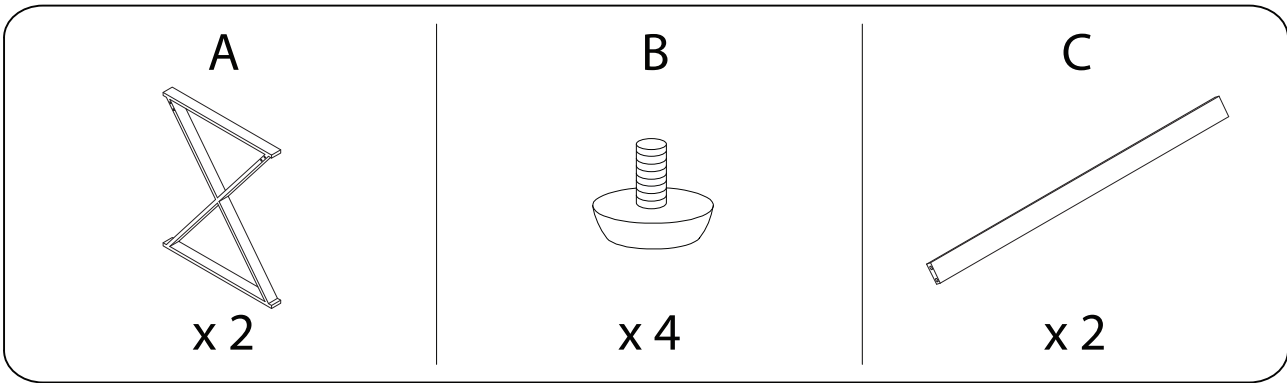


ATTICA

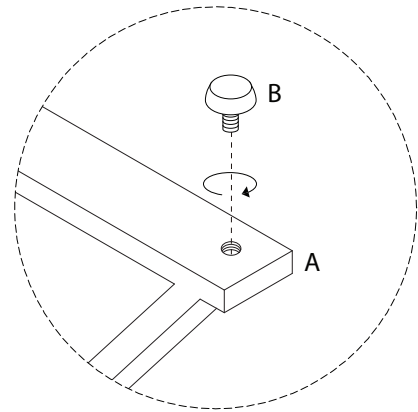
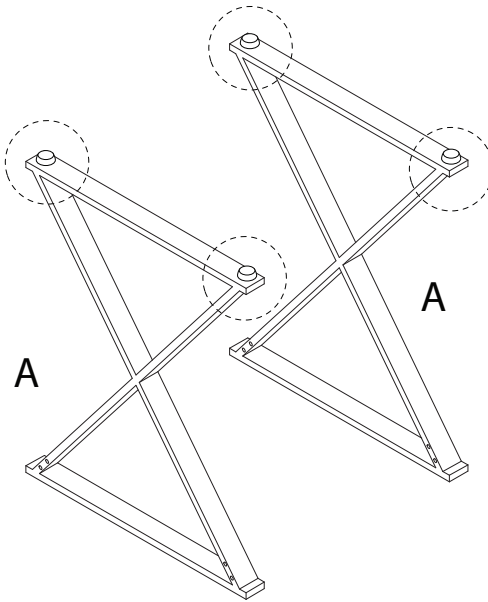
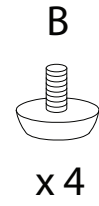




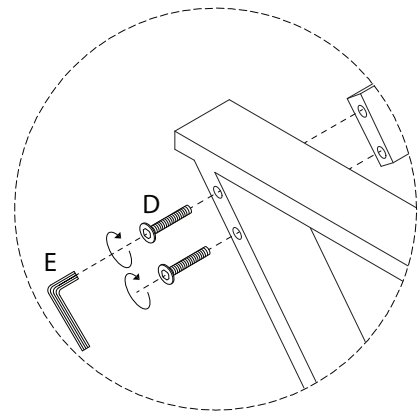
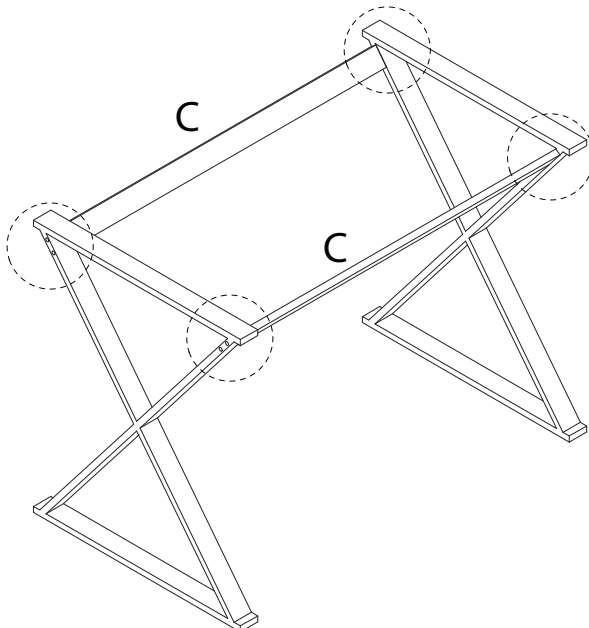
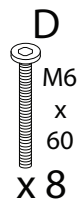
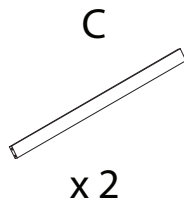
		40'
		2



1



2

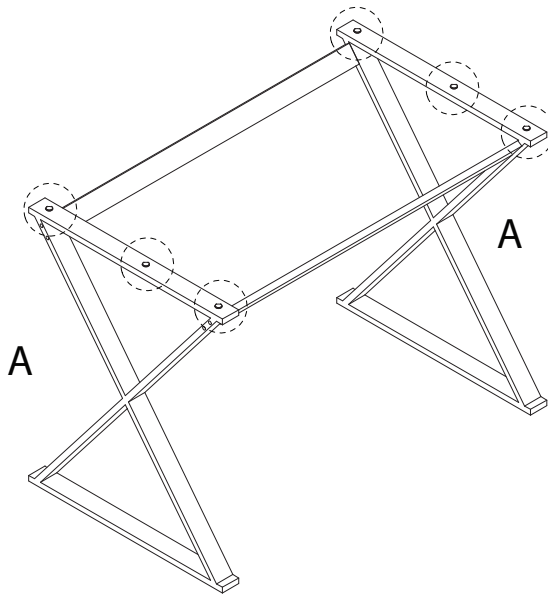


3

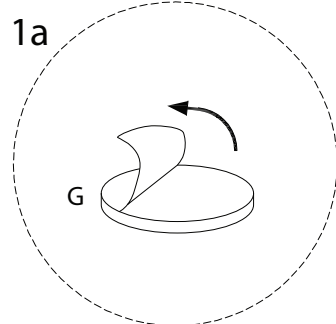
G



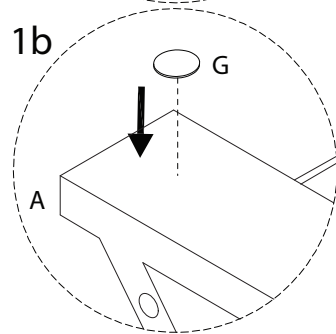
x 6



1a

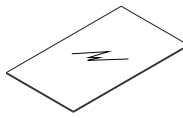


1b



4

F



x 1

