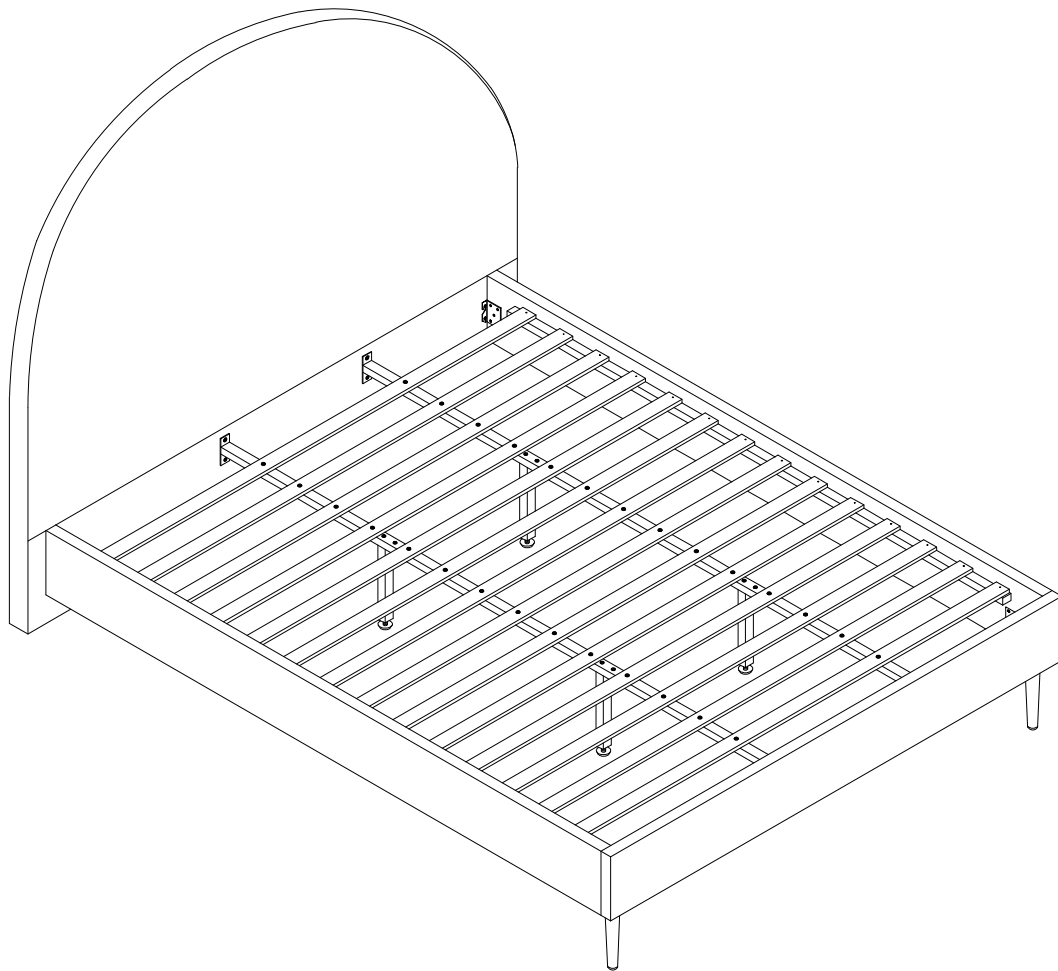
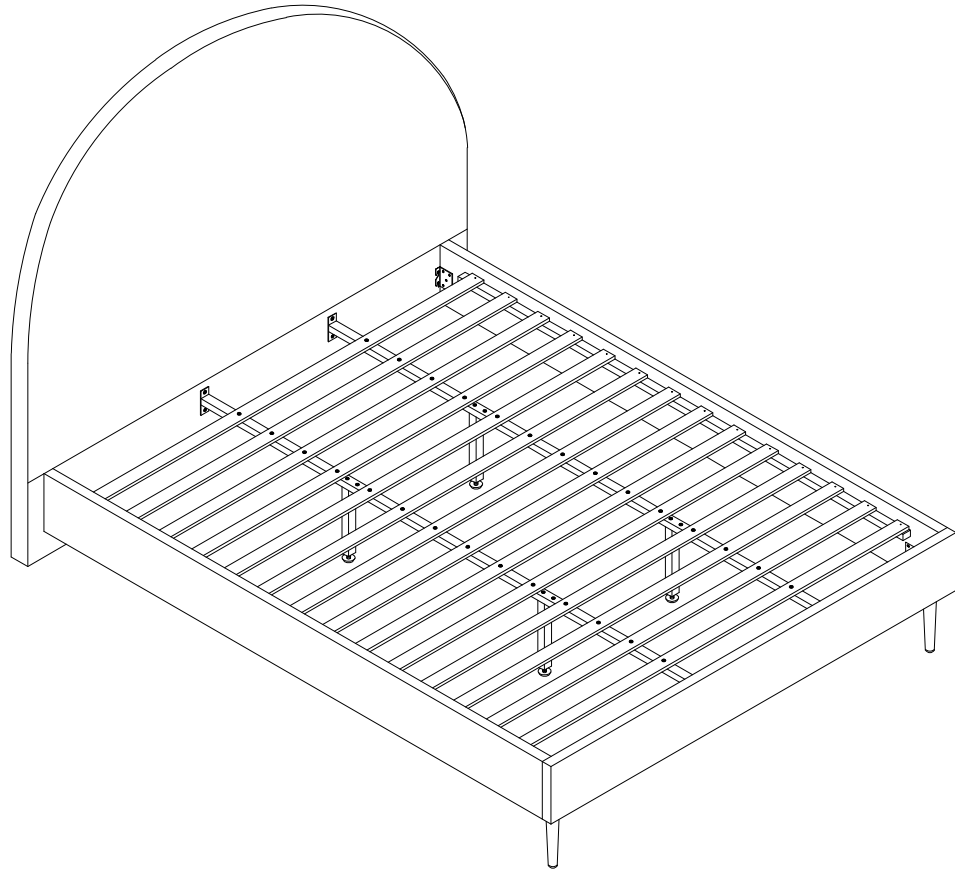
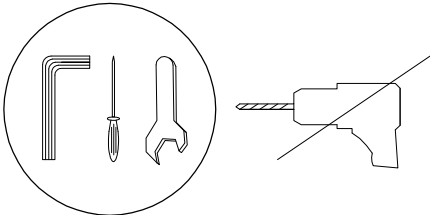

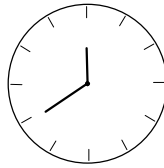
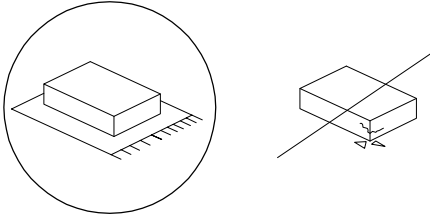


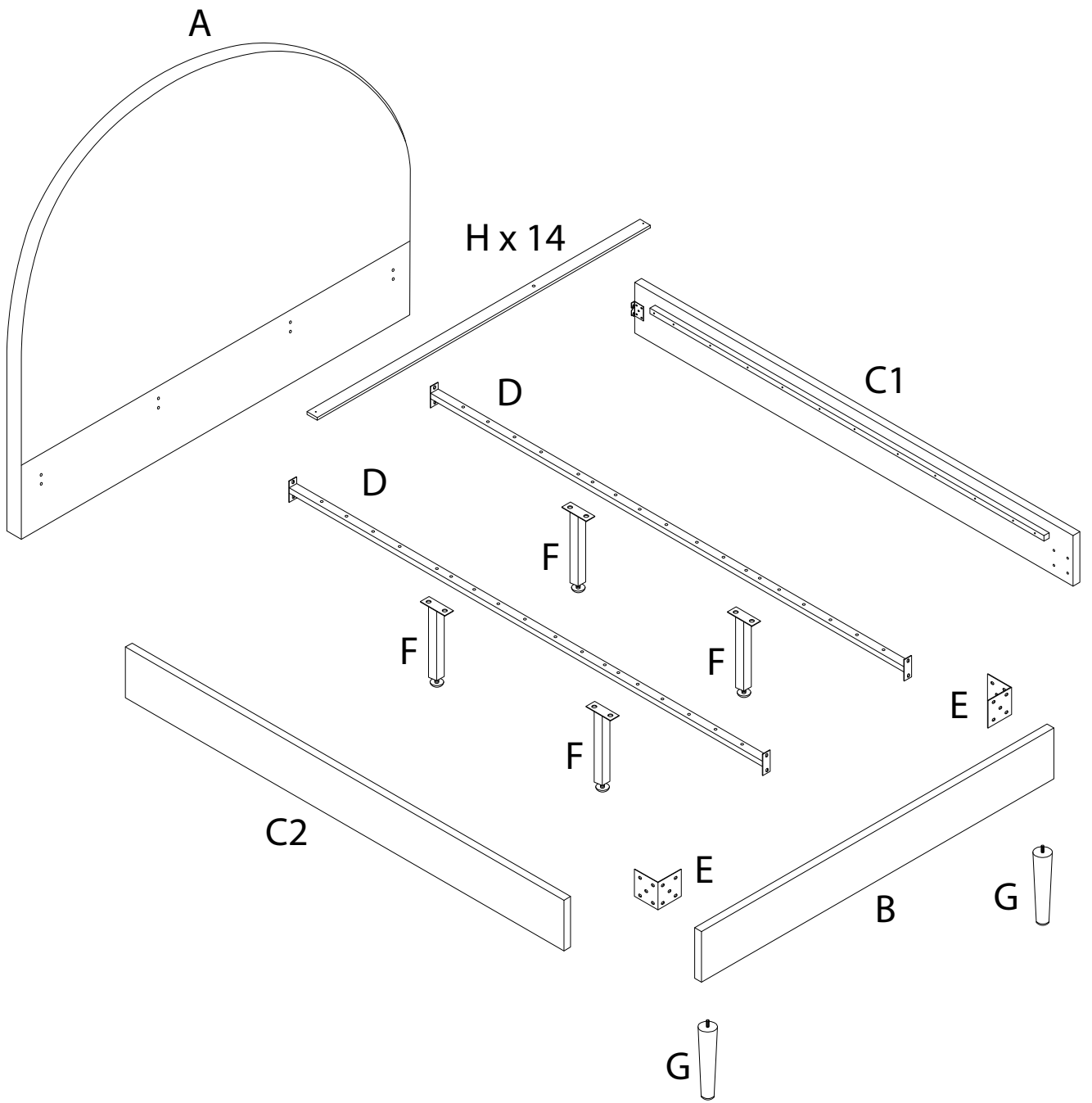


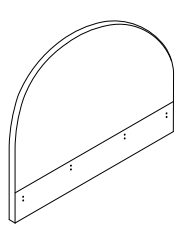
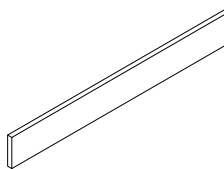
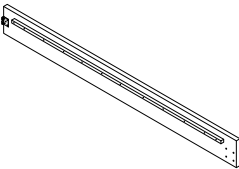
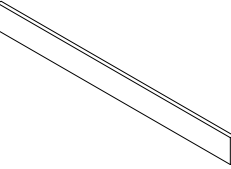
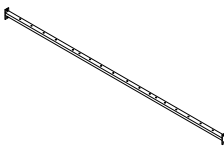
# MILLAY



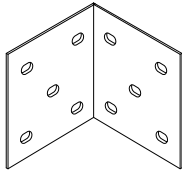


		
		
		<b>40'</b>
		<b>2</b>



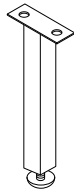
A	B	C1	C2	D
				
x 1	x 1	x 1	x 1	x 2

E



x 2

F



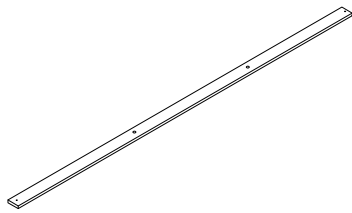
x 4

G



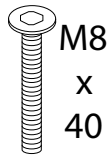
x 2

H



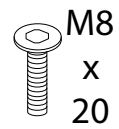
x 14

J



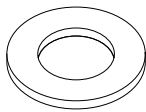
x 44

K



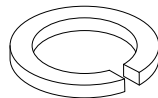
x 20

L



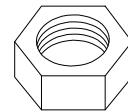
x 66

M



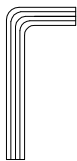
x 38

N



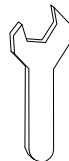
x 38

O



x 1

P



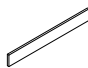


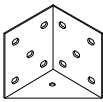
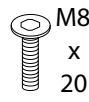

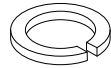
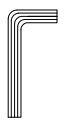
x 1

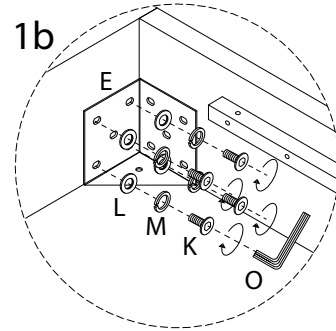
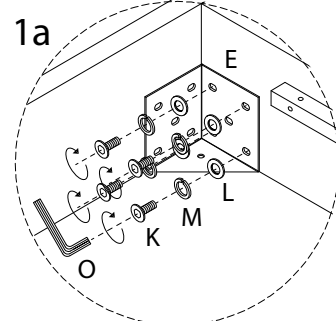
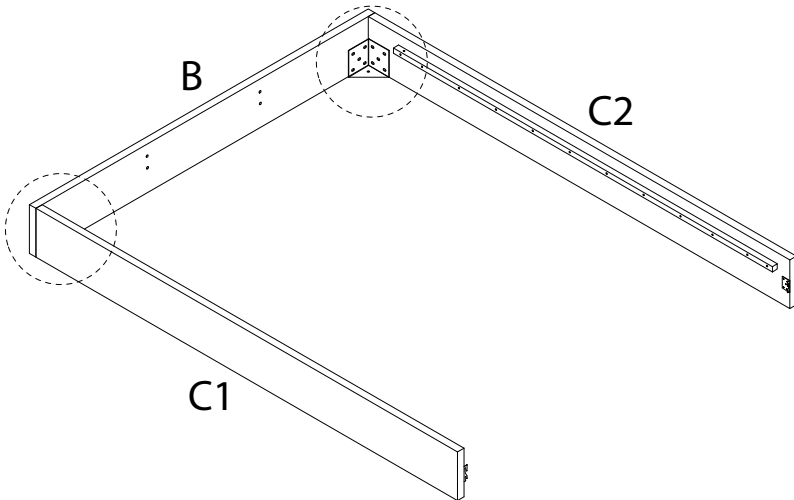
Q




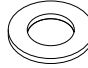

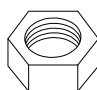

x 28

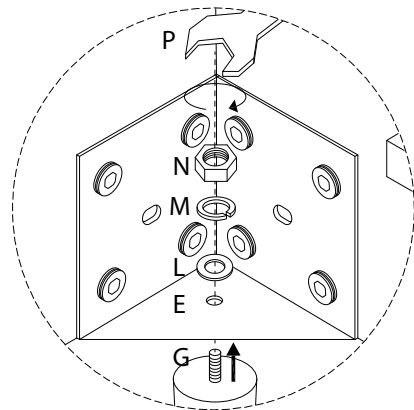
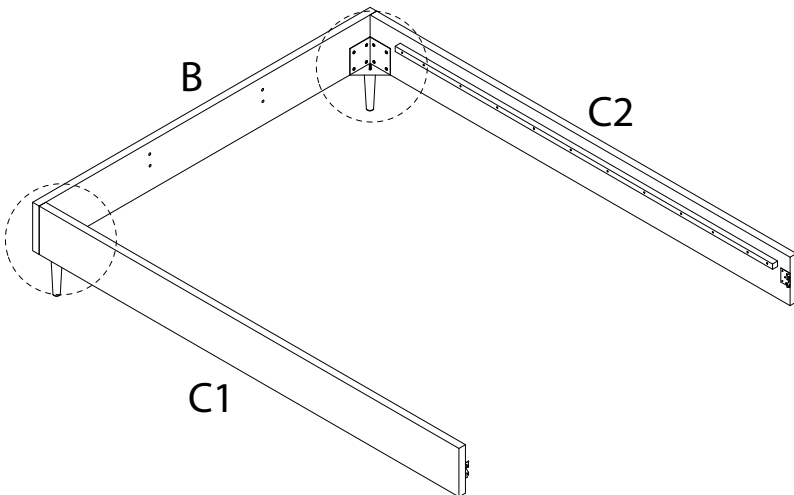
1

<b>B</b>  x 1	<b>C1</b>  x 1	<b>C2</b>  x 1	<b>E</b>  x 2	<b>K</b>  x 16	<b>L</b>  x 16	<b>M</b>  x 16	<b>O</b>  x 1
--	---	---	--	---	---	---	--

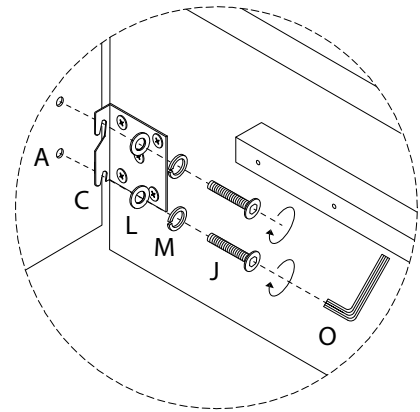
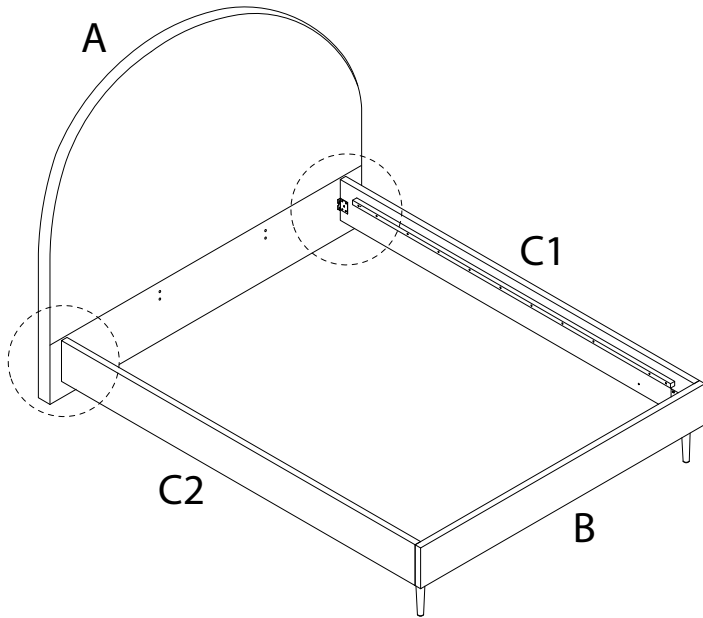
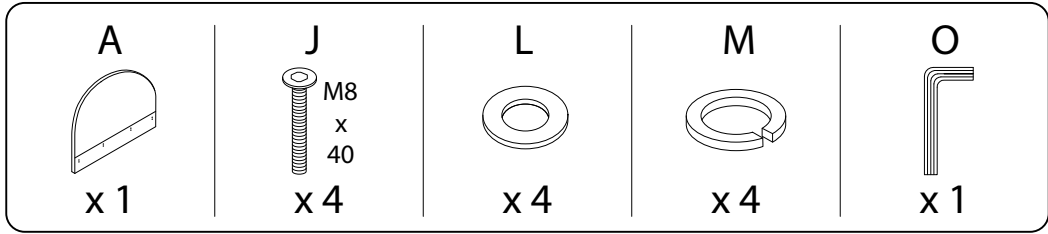


2

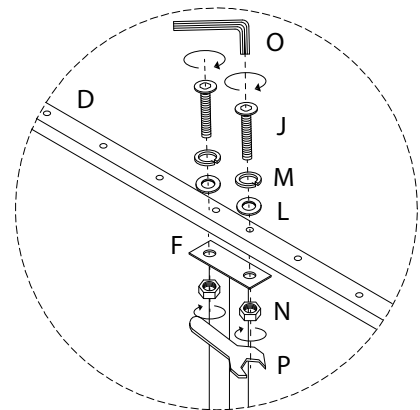
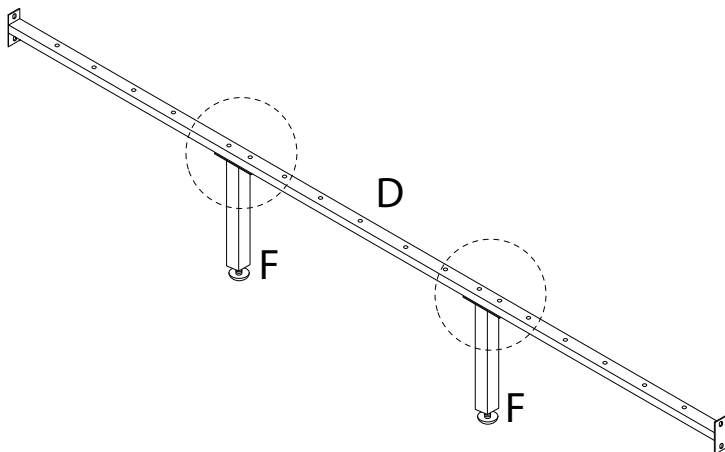
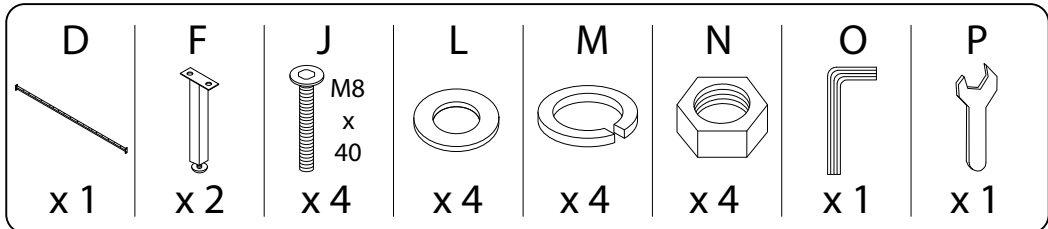
<b>G</b>  x 2	<b>L</b>  x 2	<b>M</b>  x 2	<b>N</b>  x 2	<b>P</b>  x 1
--	--	--	--	--



3



4 x 2



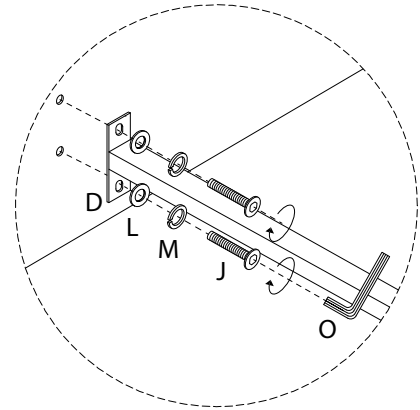
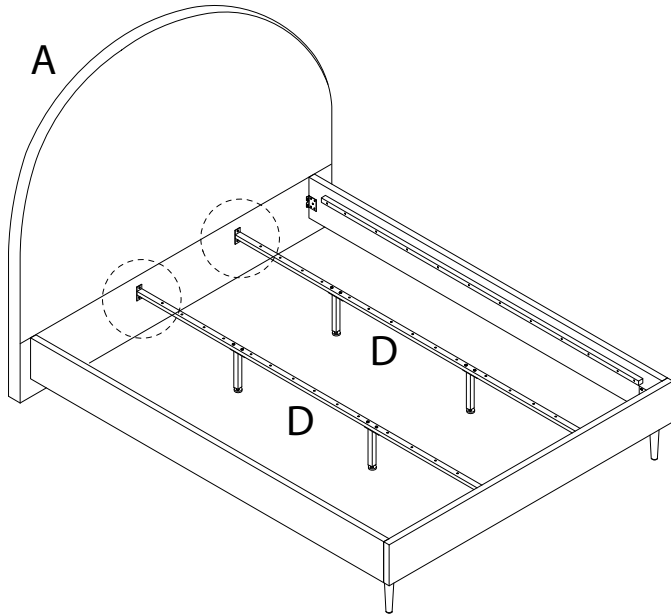
5

J  
M8  
x  
40  
x 4

L  
x 4

M  
x 4

O  
x 1



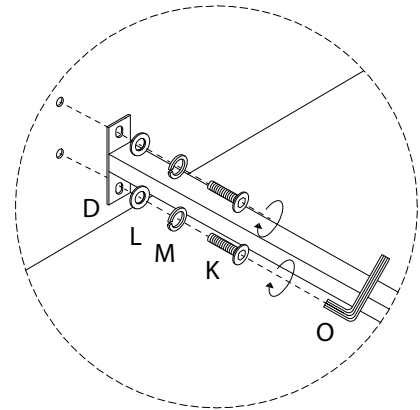
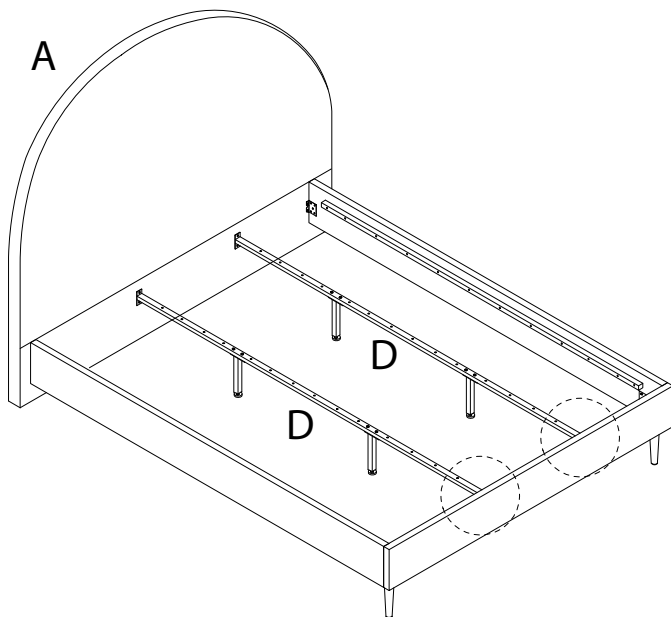
6

K  
M8  
x  
20  
x 4

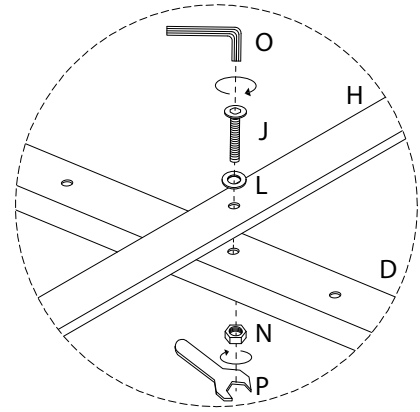
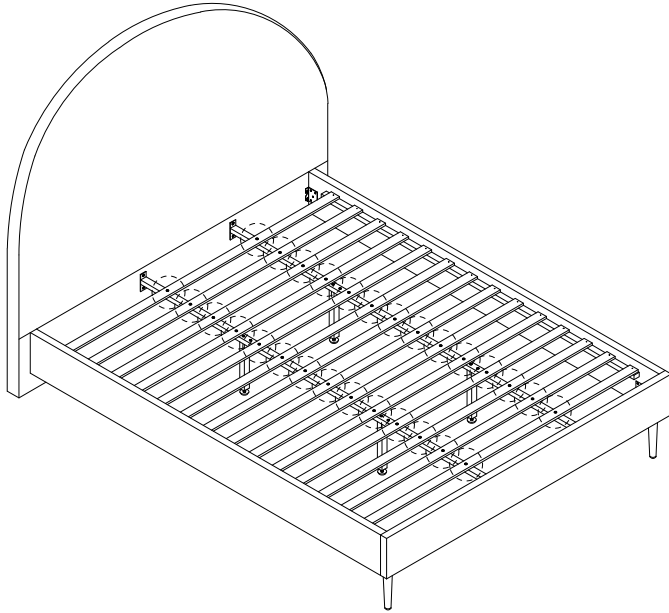
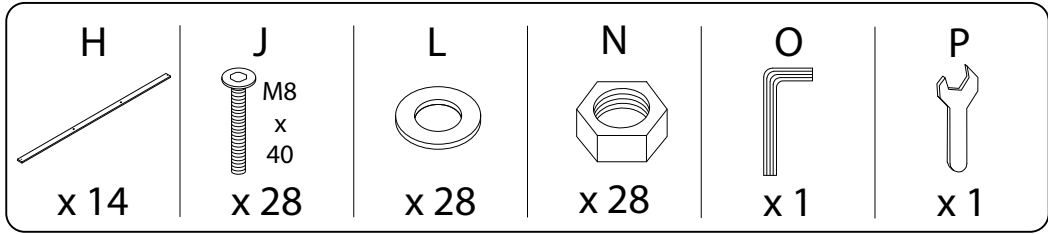
L  
x 4

M  
x 4

O  
x 1



7



8

