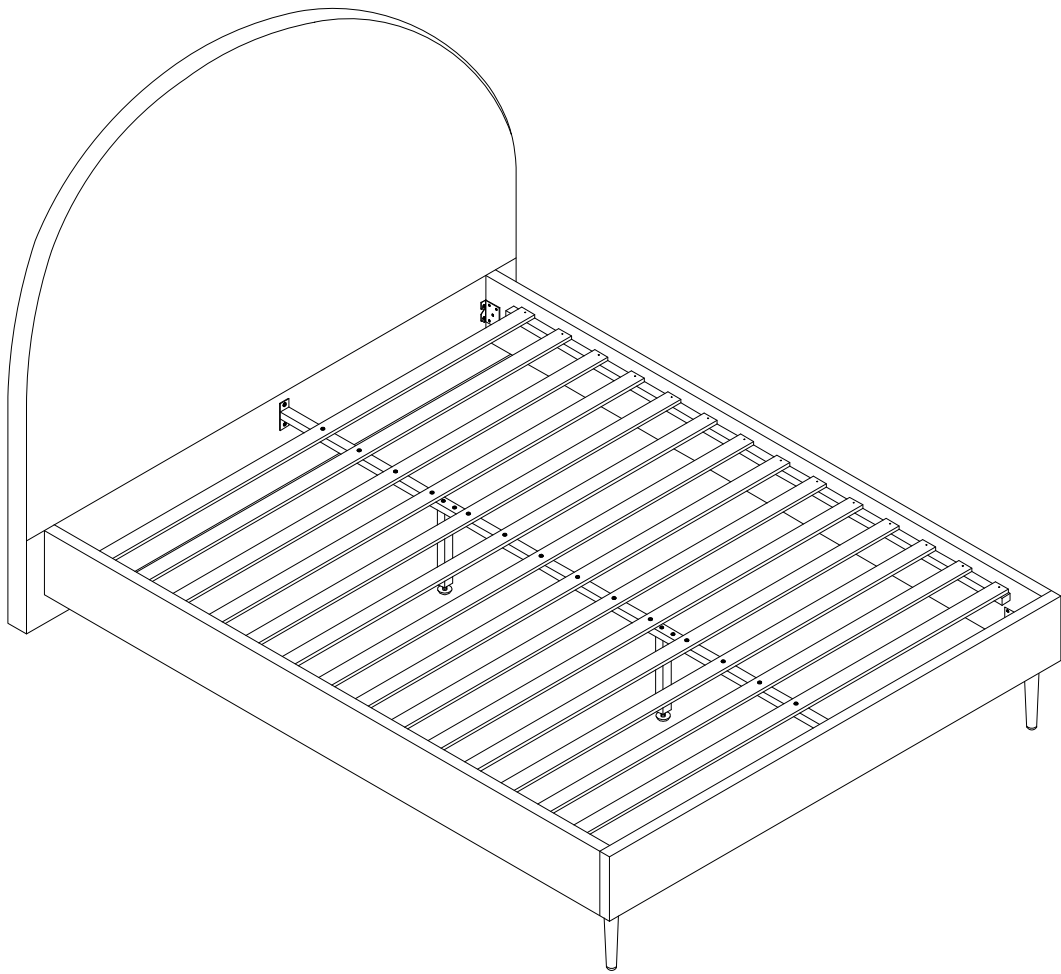
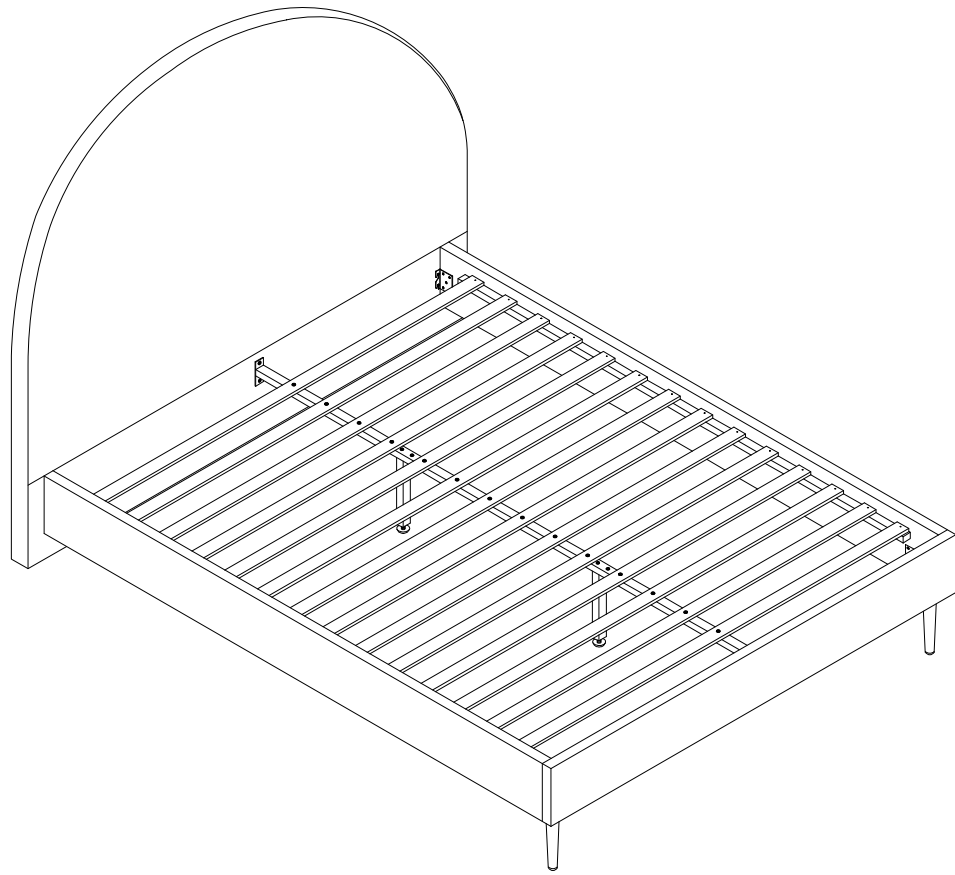


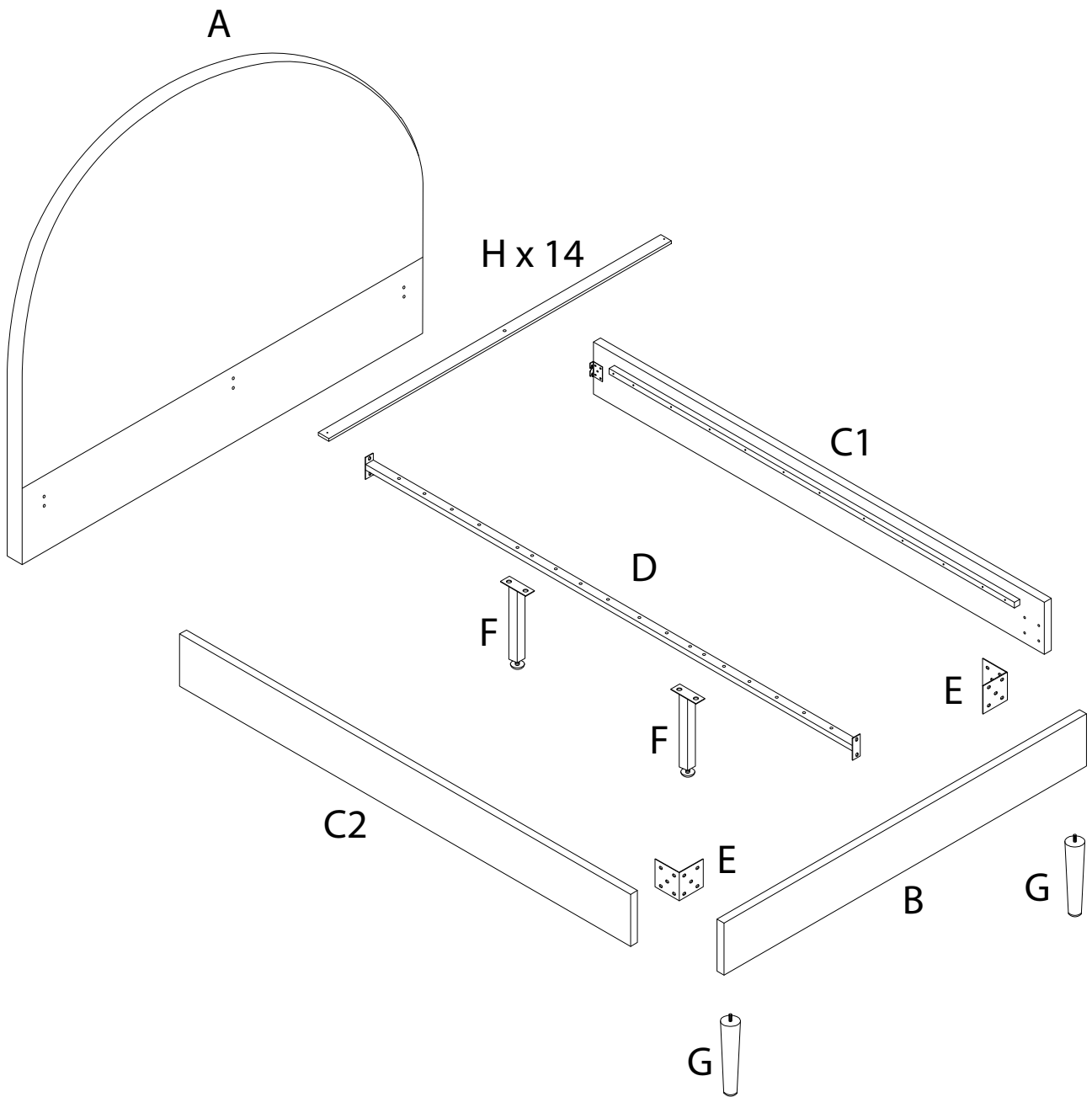
MILLAY

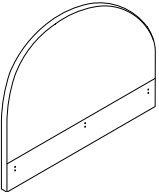
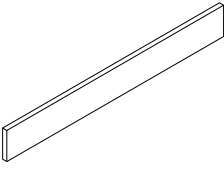
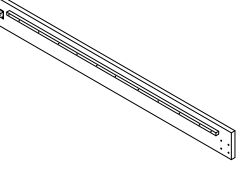
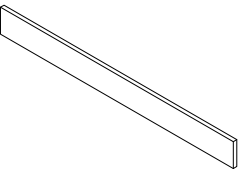
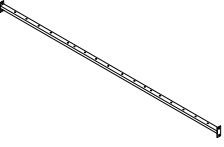




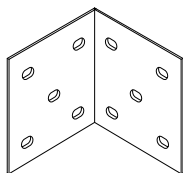
Assembly instructions for step 1/7:

- Tools:** A circle containing an Allen key, a screwdriver, and a wrench. A power drill is shown with a diagonal line through it, indicating it is not to be used.
- Warning:** A triangle with an exclamation mark.
- Time:** A clock icon with the text "40'" below it, indicating an estimated assembly time of 40 minutes.
- Personnel:** A stick figure icon with the number "2" below it, indicating that two people are required for assembly.



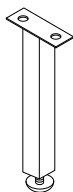
A	B	C1	C2	D
				
x 1	x 1	x 1	x 1	x 1

E



x 2

F



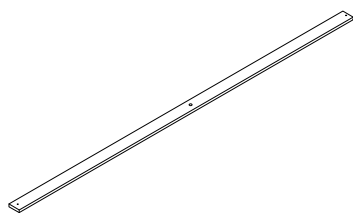
x 2

G



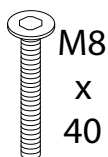
x 2

H



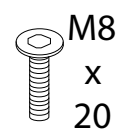
x 14

J



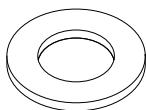
x 24

K



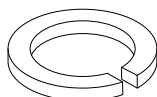
x 18

L



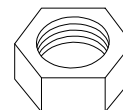
x 44

M



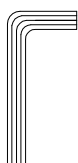
x 30

N



x 20

O



x 1

P




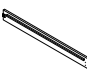

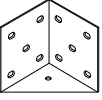

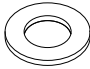
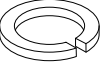

x 1

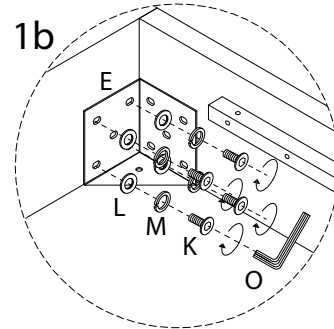
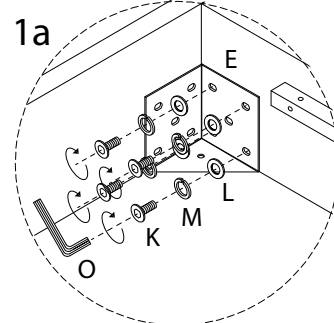
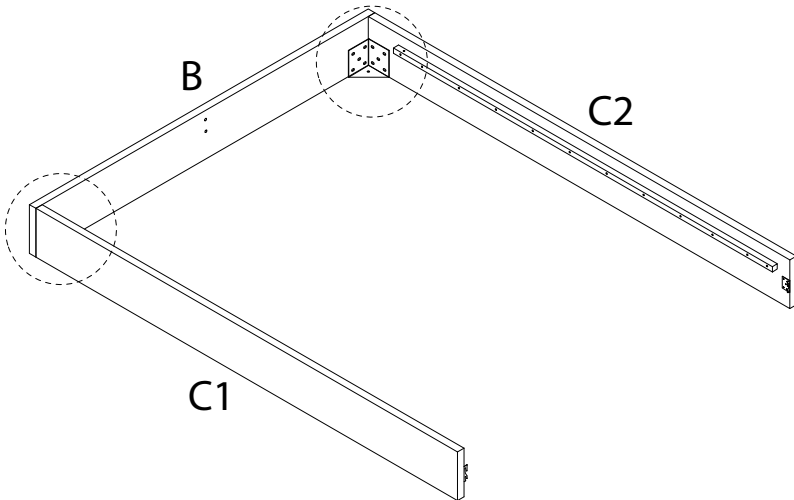
Q





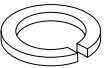
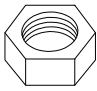

x 28

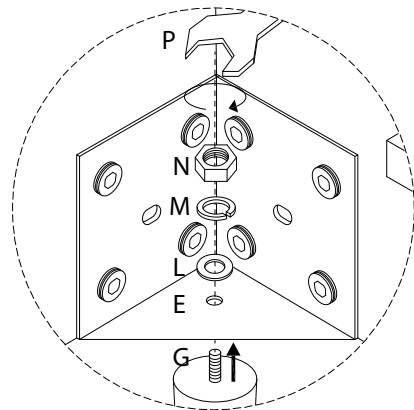
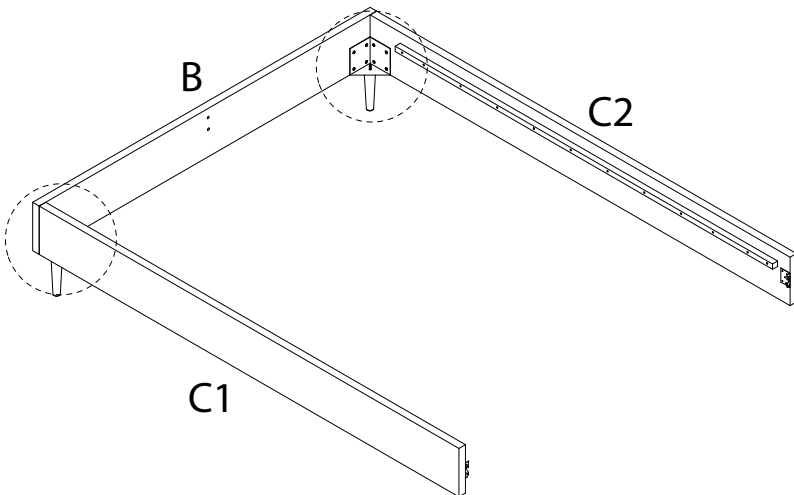
1

B  x 1	C1  x 1	C2  x 1	E  x 2	K  x 16	L  x 16	M  x 16	O  x 1
--	---	---	--	---	---	---	--

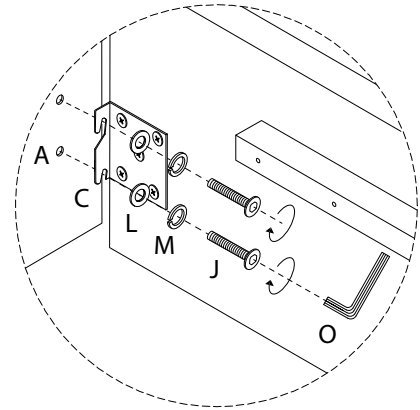
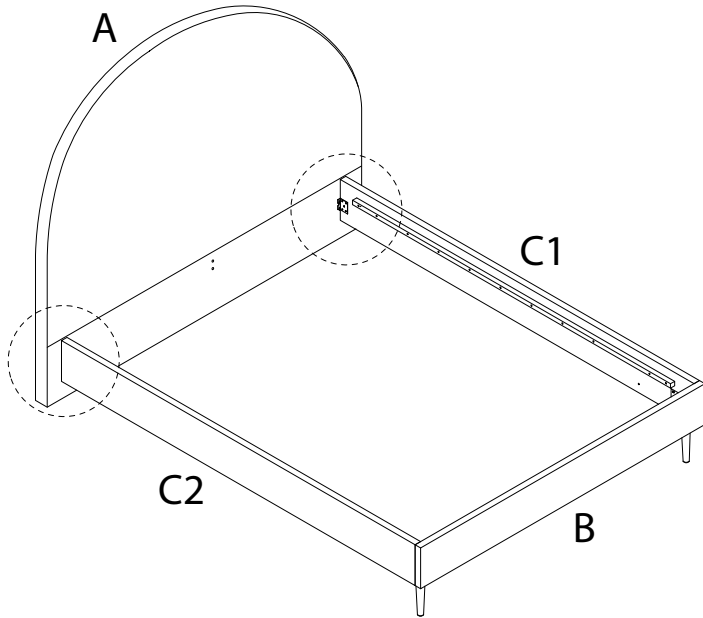
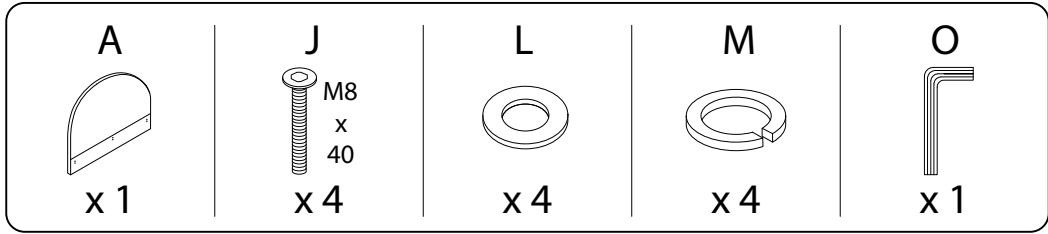


2

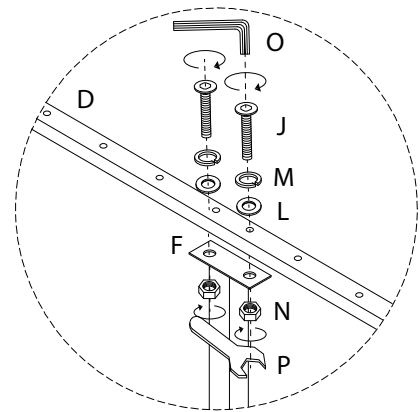
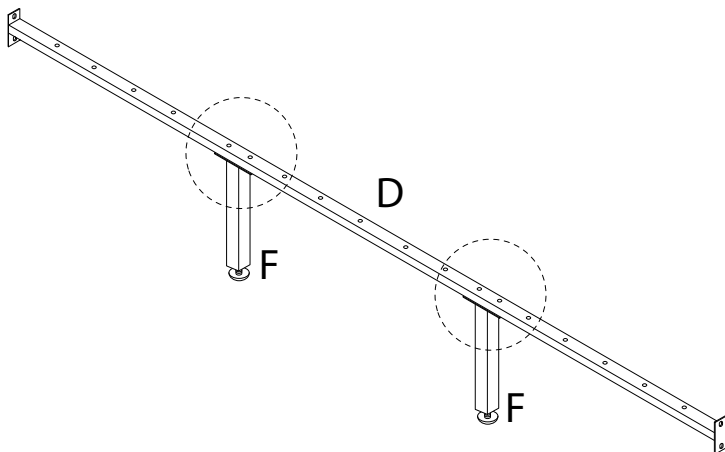
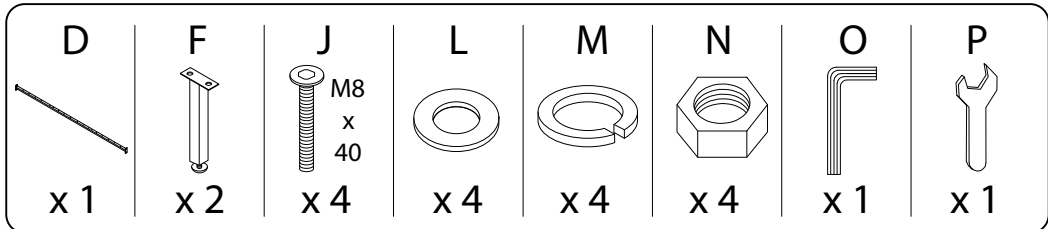
G  x 2	L  x 2	M  x 2	N  x 2	P  x 1
--	--	--	--	--



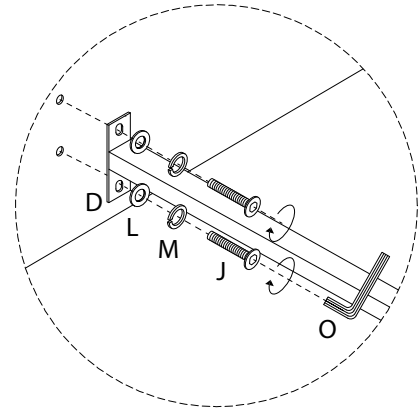
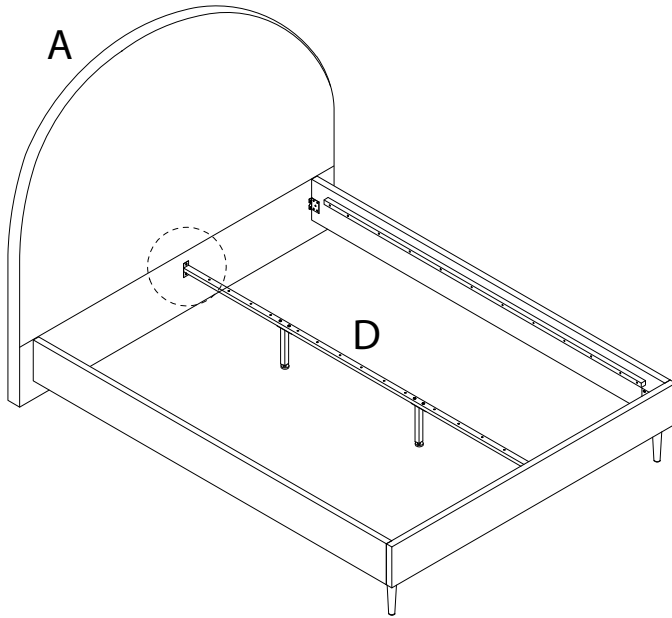
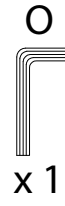
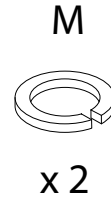
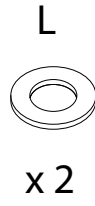
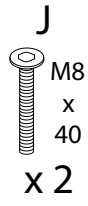
3



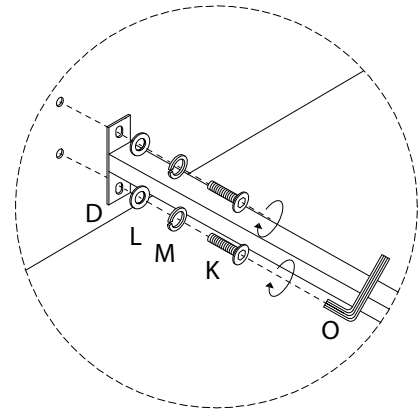
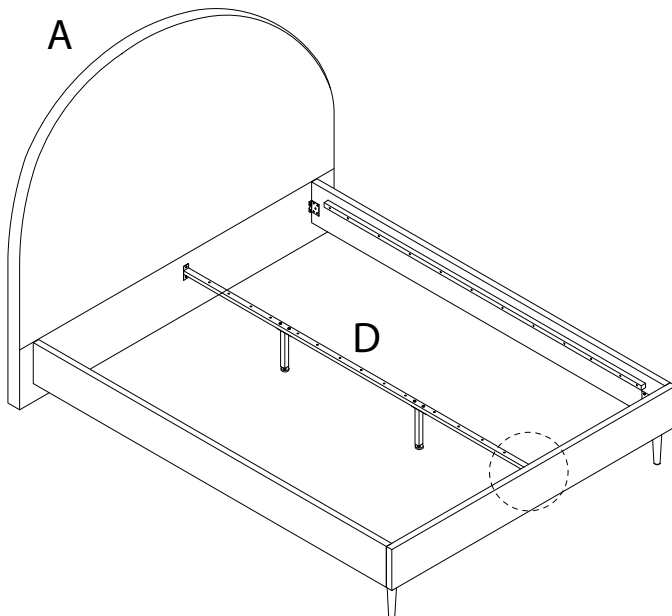
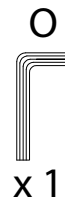
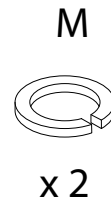
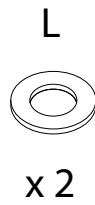
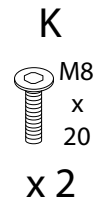
4



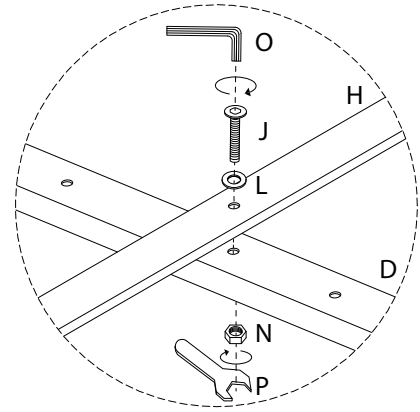
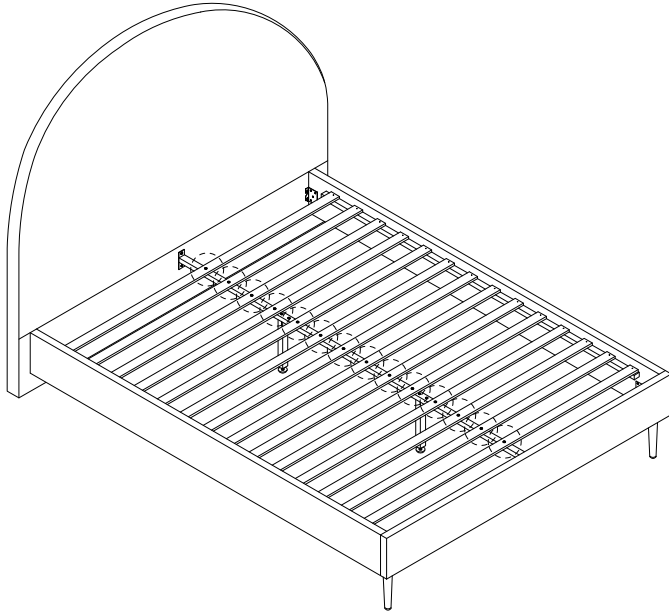
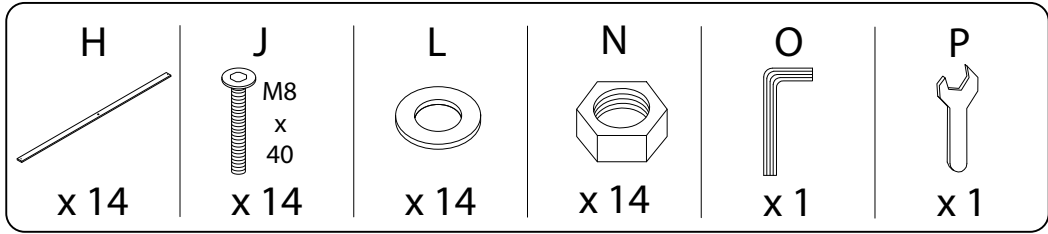
5



6



7



8

