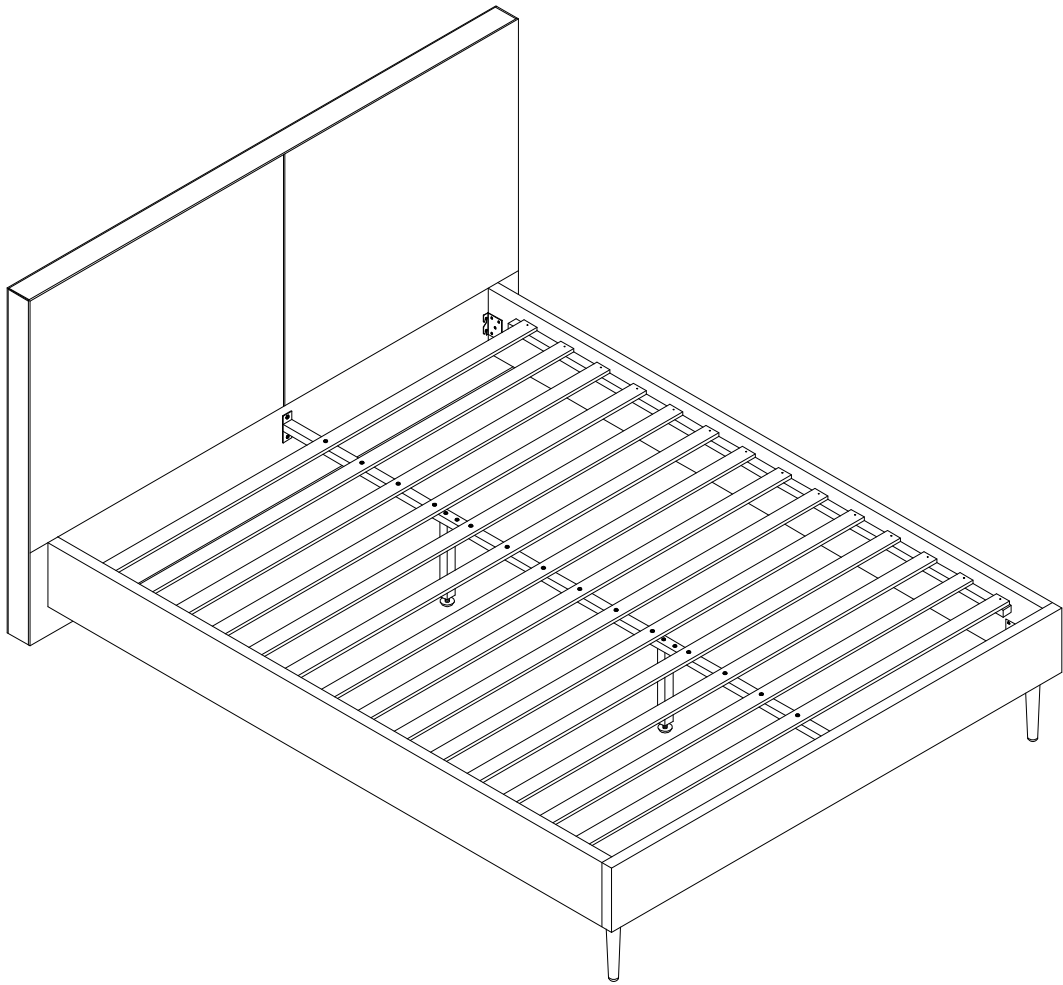
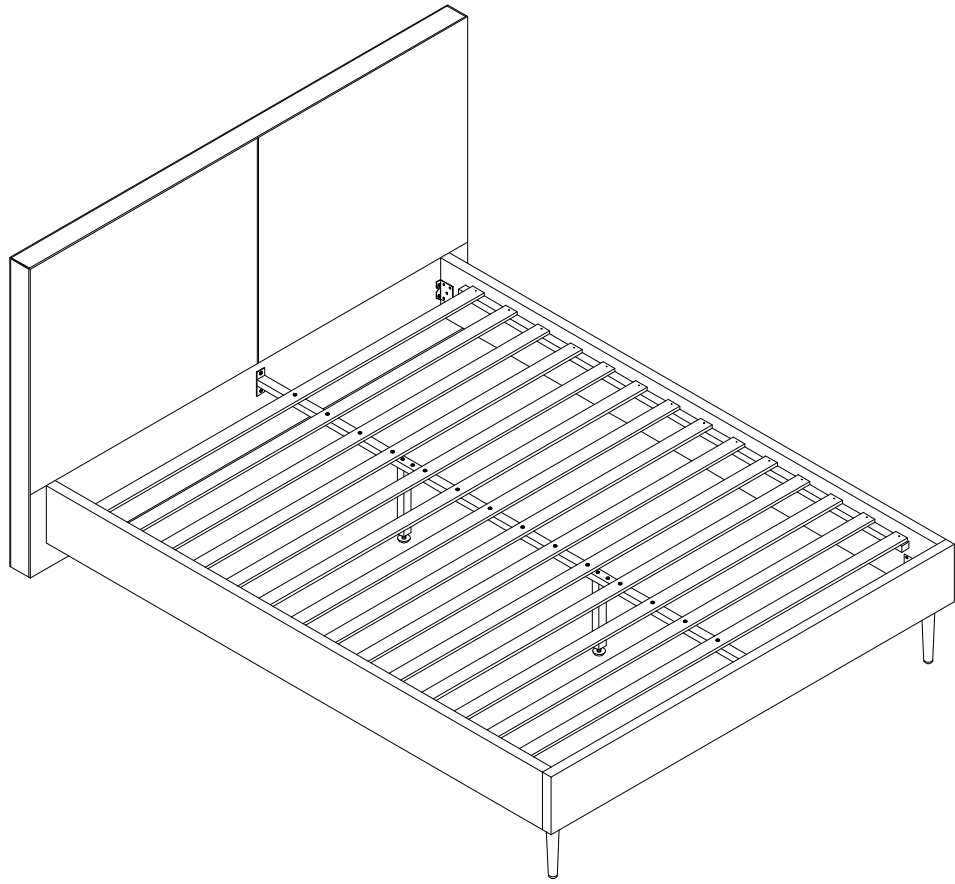


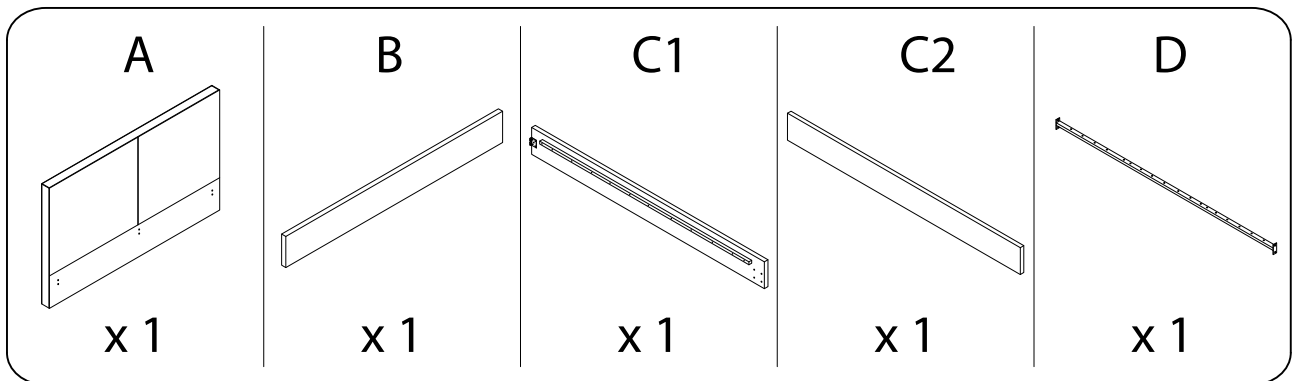
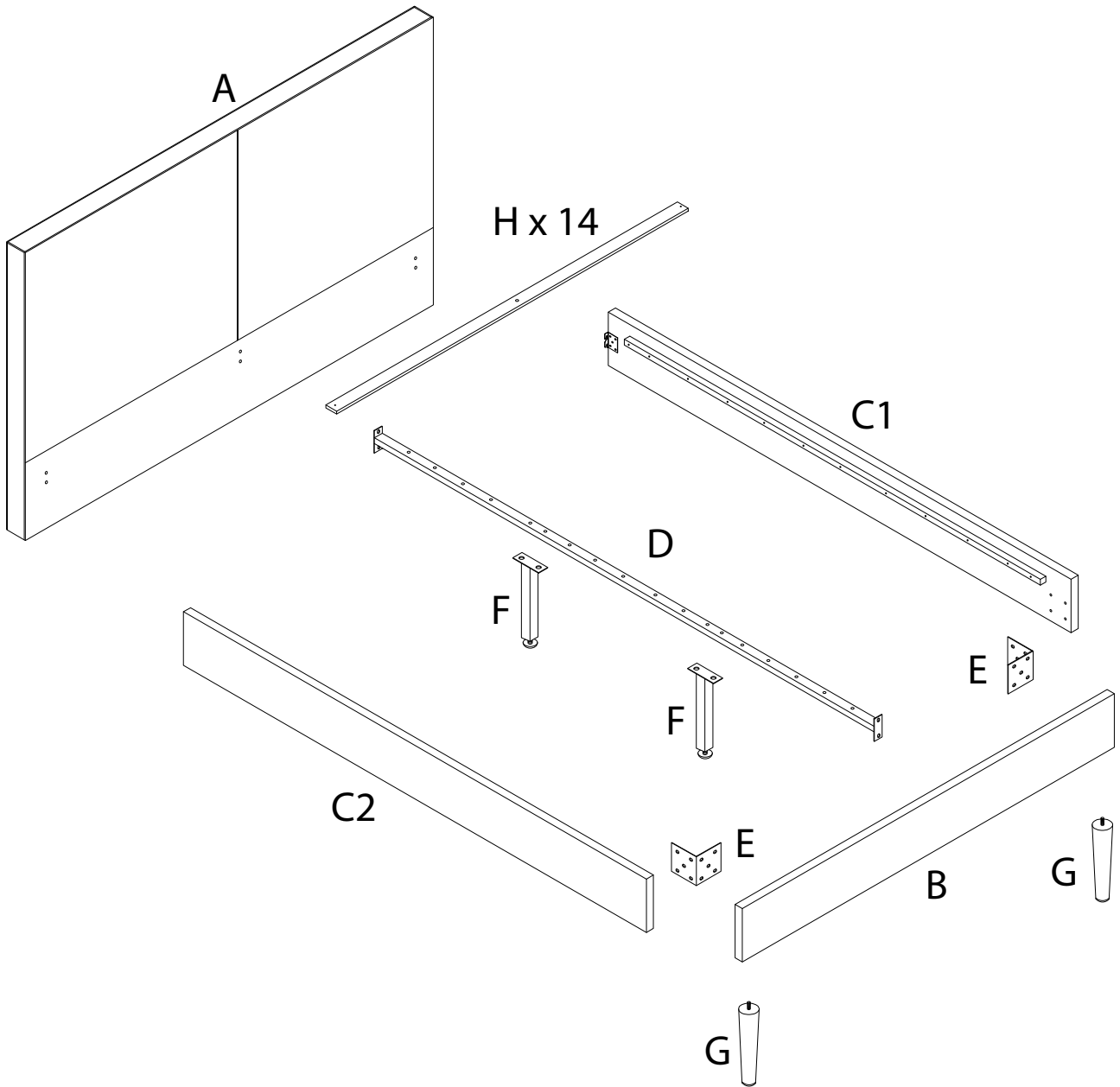
# IZERNORE



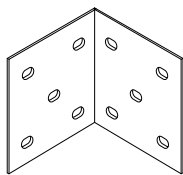


Assembly instructions for step 1/7:

- Tools:** A circle containing an Allen key, a screwdriver, and a wrench. A power drill is shown with a diagonal line through it, indicating it should not be used.
- Warning:** A triangle with an exclamation mark.
- Time:** A clock icon with the number 40' below it, indicating an estimated assembly time of 40 minutes.
- Personnel:** A person icon with the number 2 below it, indicating that two people are required for assembly.

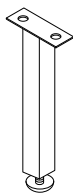


E



x 2

F



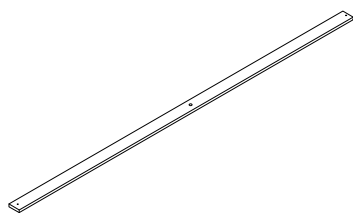
x 2

G



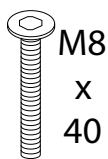
x 2

H



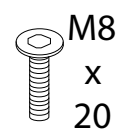
x 14

J



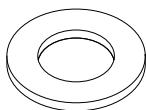
x 24

K



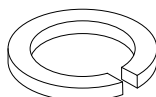
x 18

L



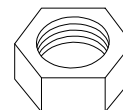
x 44

M



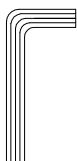
x 30

N



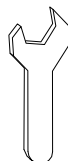
x 20

O



x 1

P



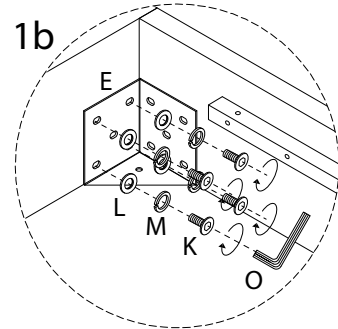
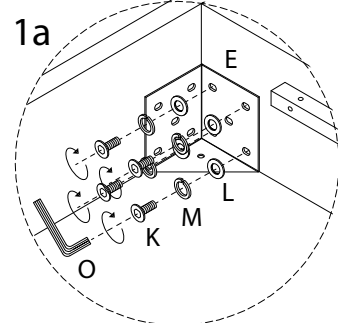
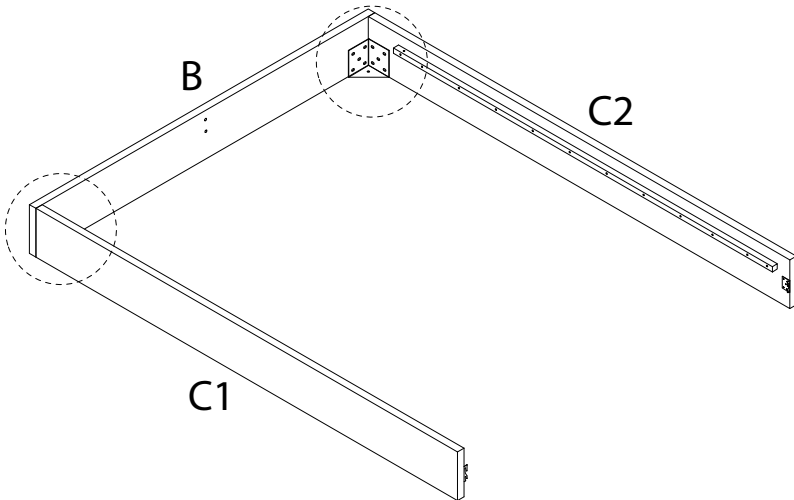
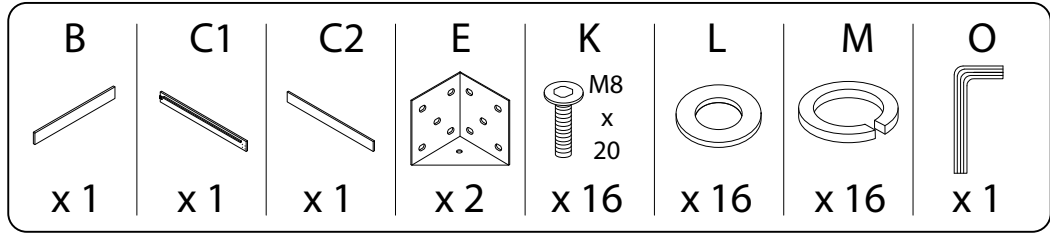
x 1

Q

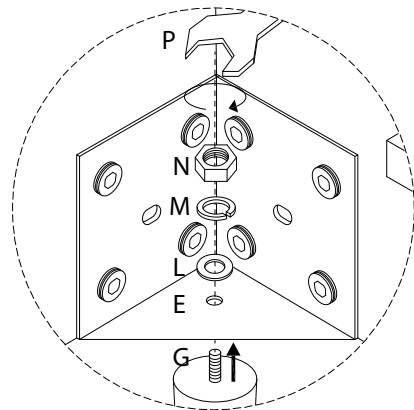
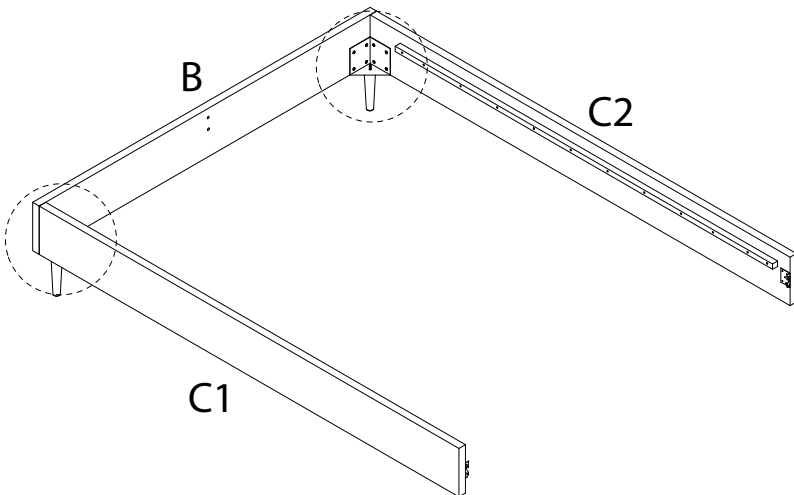
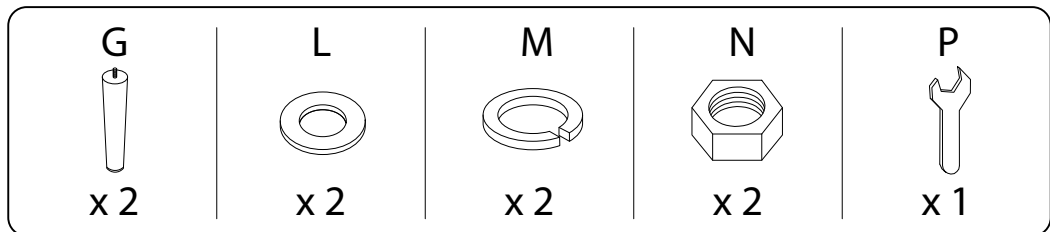


x 28

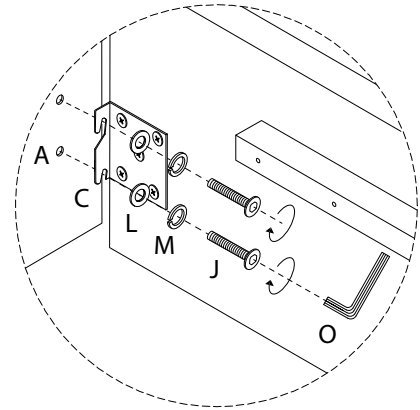
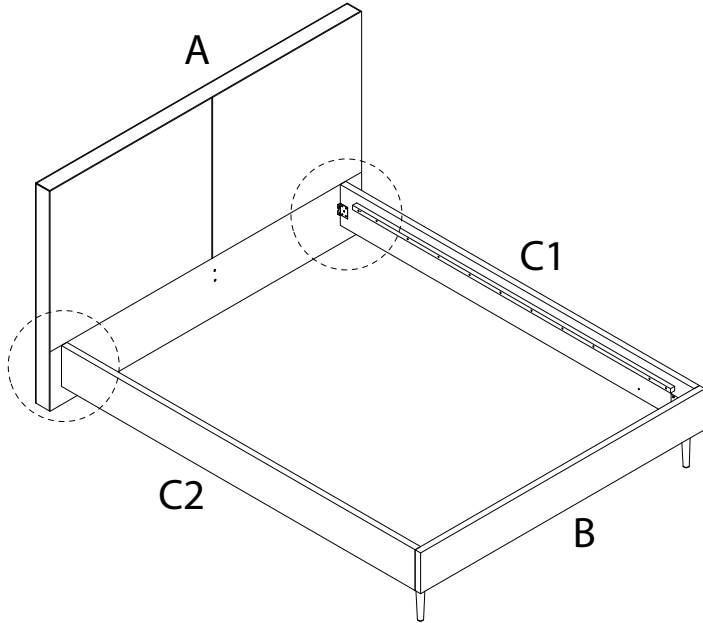
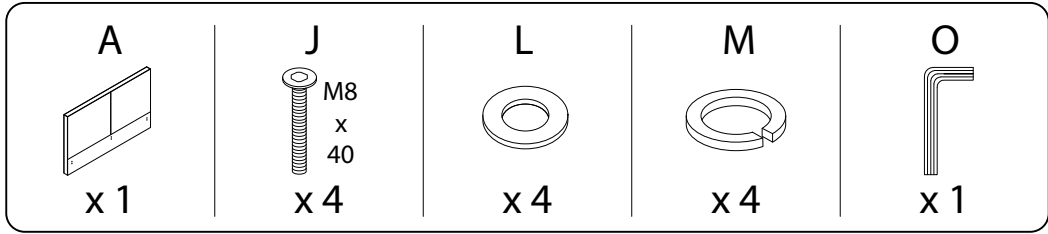
1



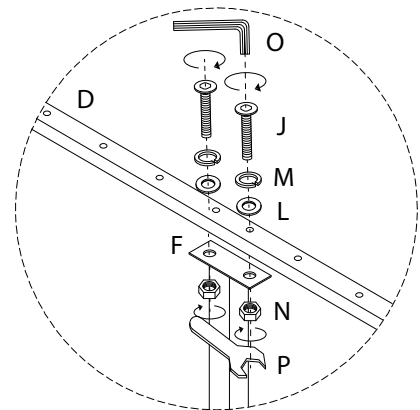
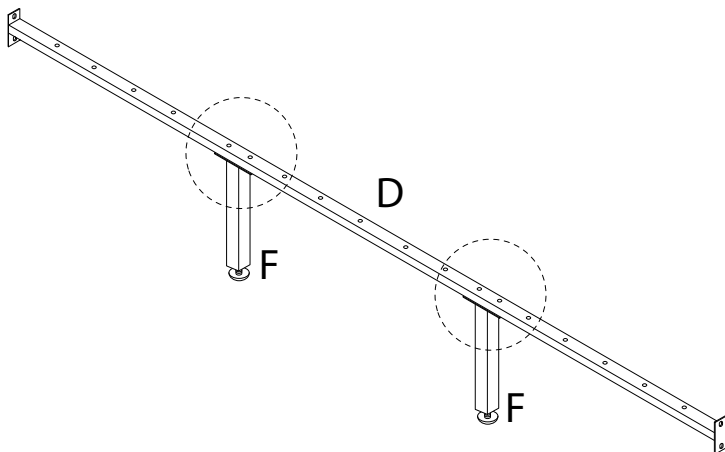
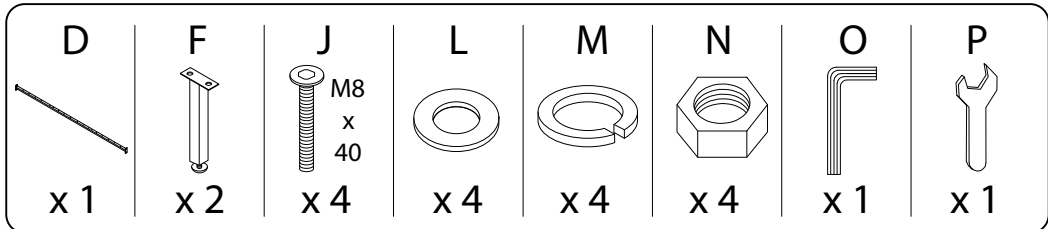
2



3



4



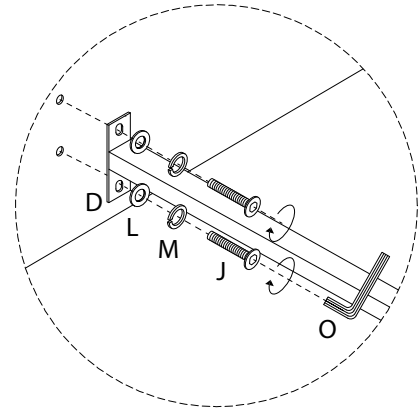
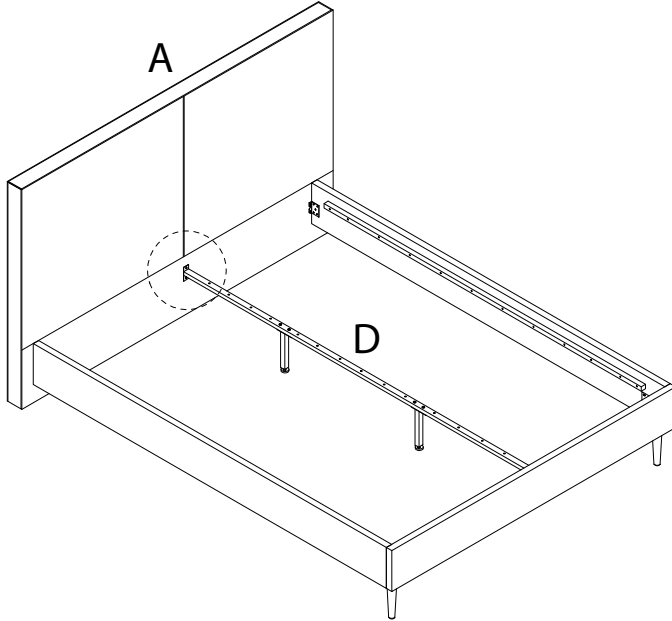
5

J  
M8  
x  
40  
x 2

L  
x 2

M  
x 2

O  
x 1



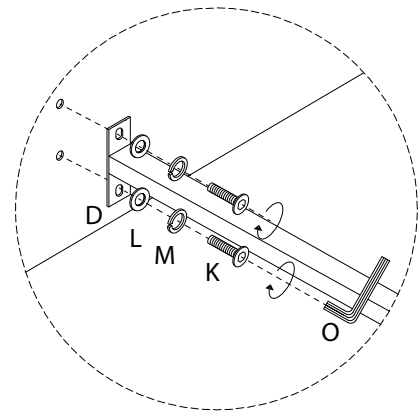
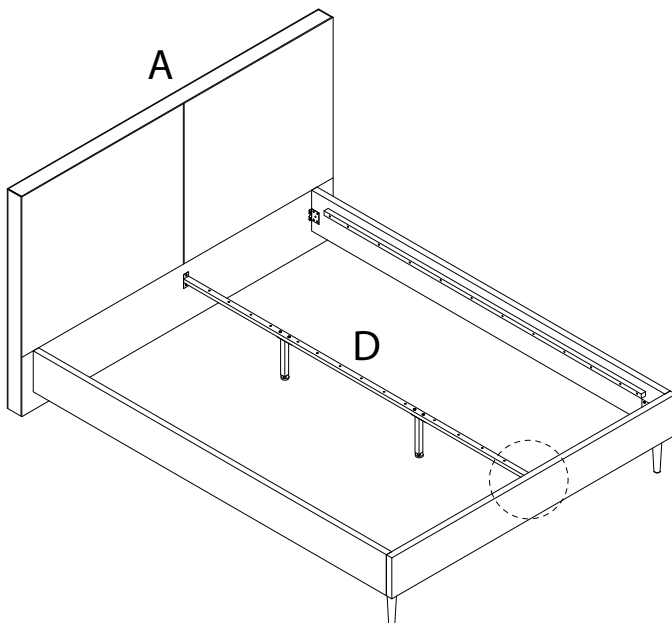
6

K  
M8  
x  
20  
x 2

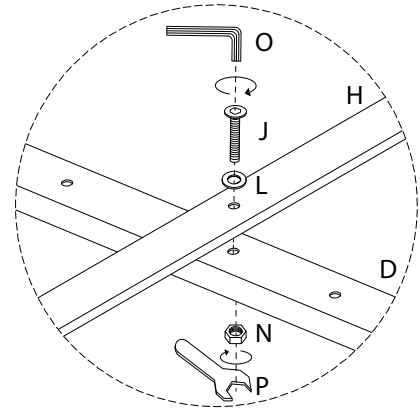
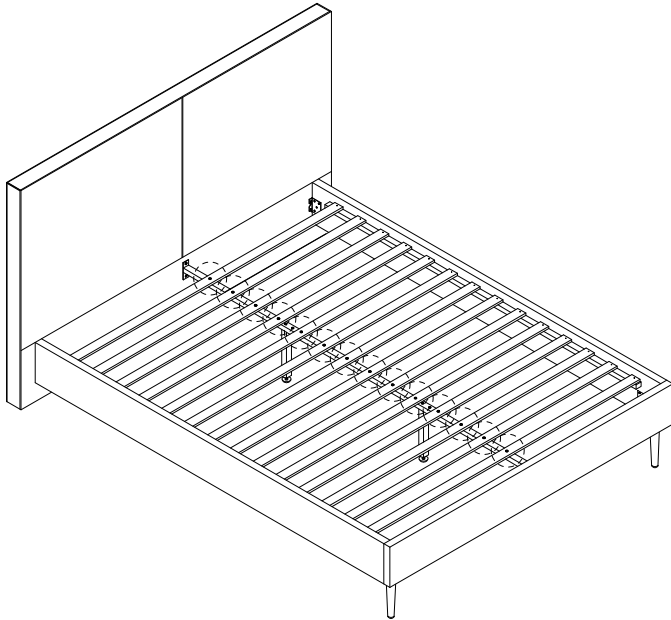
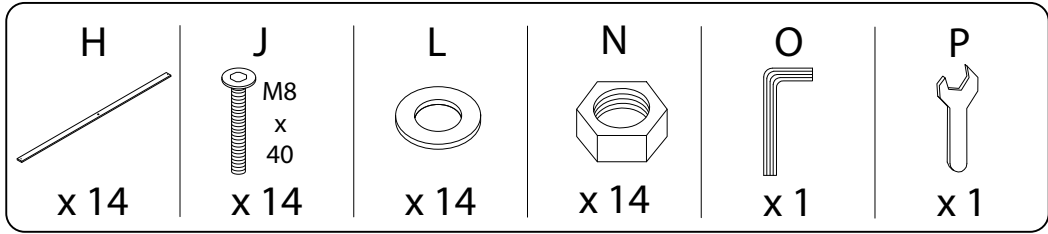
L  
x 2

M  
x 2

O  
x 1



7



8

