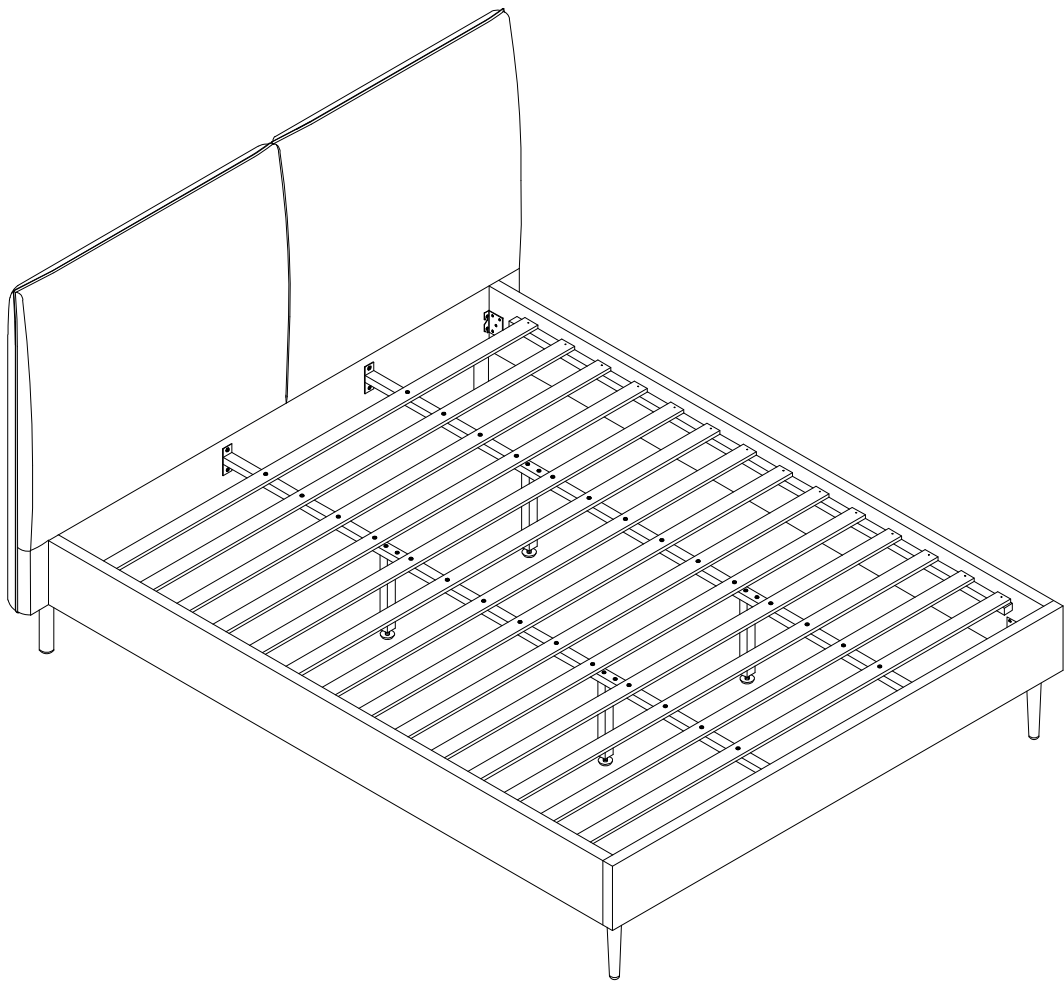
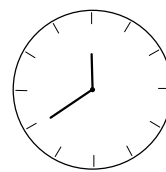
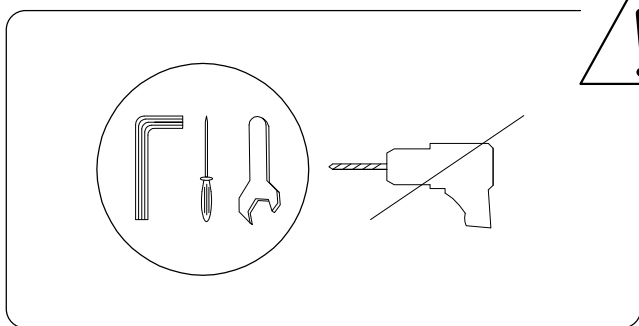
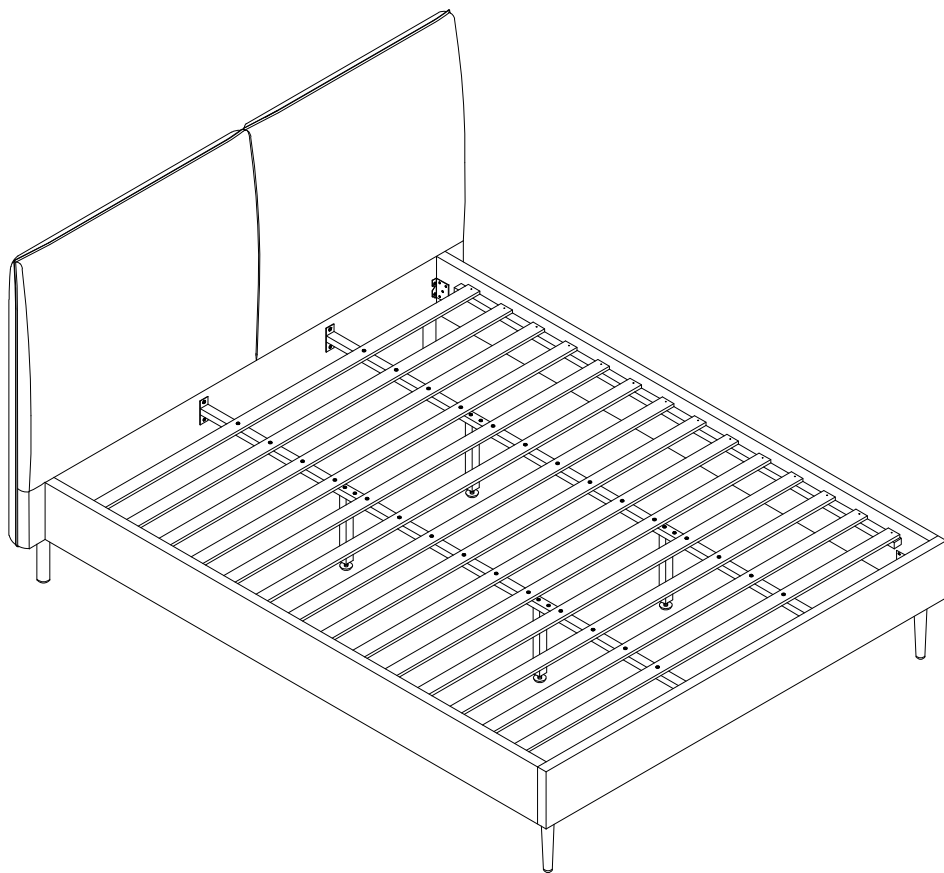
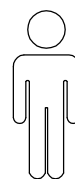
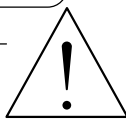
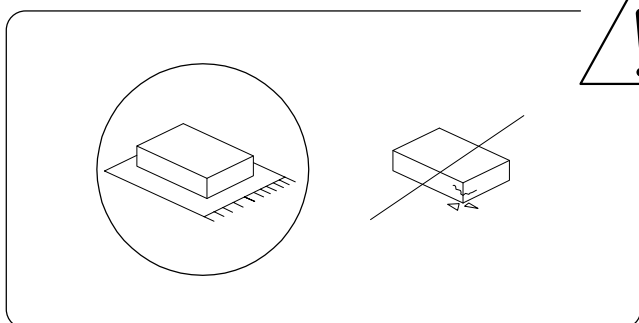


LIMANTON

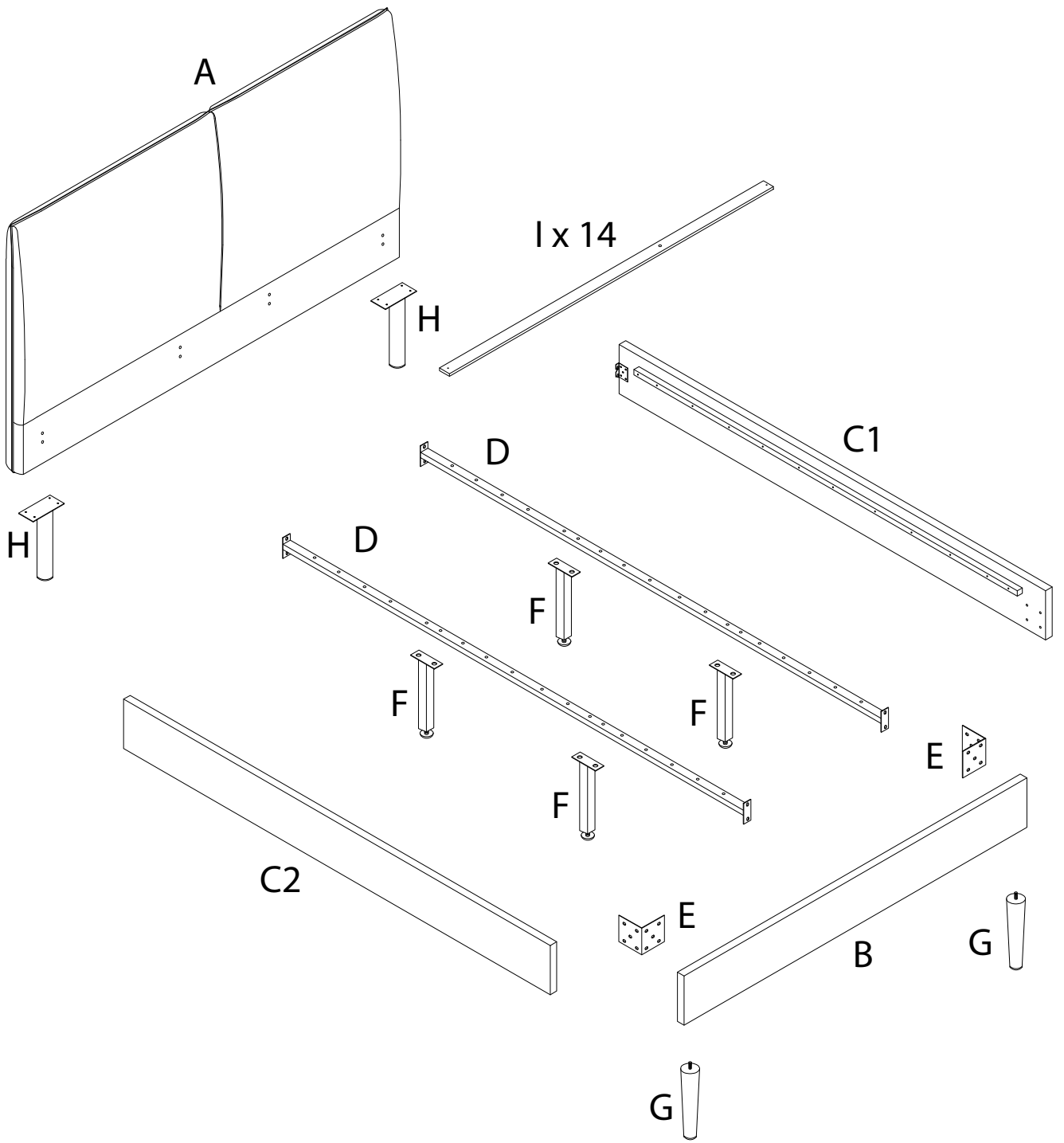


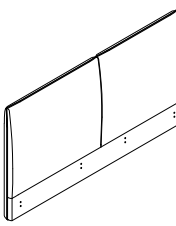
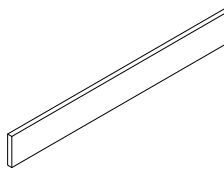
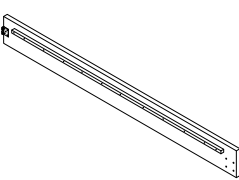
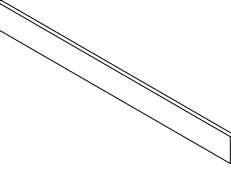
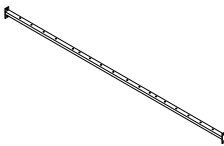


40'

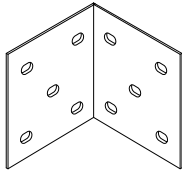


2



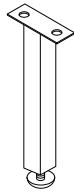
<p>A</p>  <p>x 1</p>	<p>B</p>  <p>x 1</p>	<p>C1</p>  <p>x 1</p>	<p>C2</p>  <p>x 1</p>	<p>D</p>  <p>x 1</p>
---	---	--	---	---

E



x 2

F



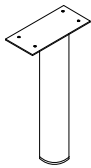
x 4

G



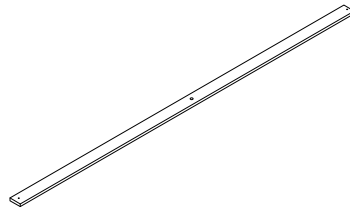
x 2

H



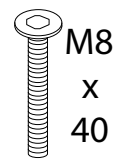
x 2

I



x 14

J



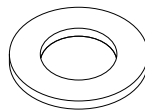
x 44

K



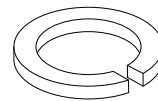
x 20

L



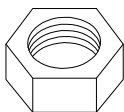
x 66

M



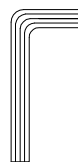
x 38

N



x 38

O



x 1

P



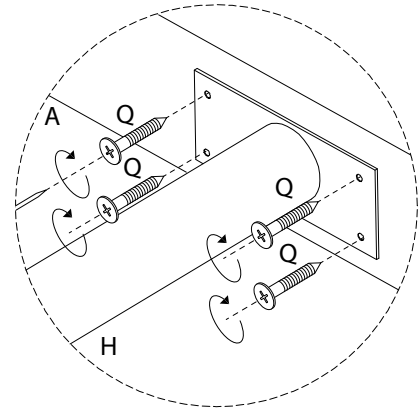
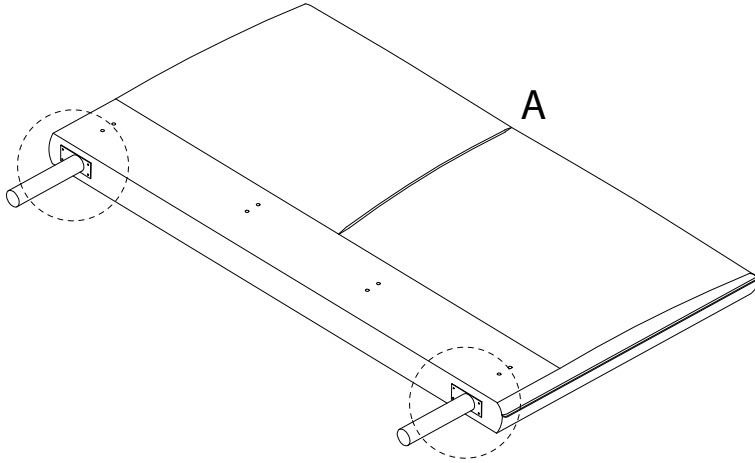
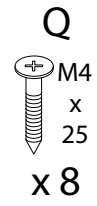
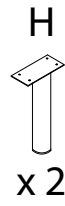
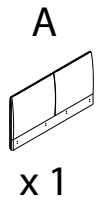
x 1

Q

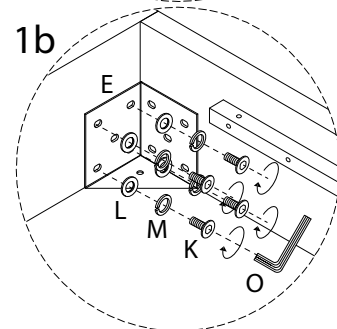
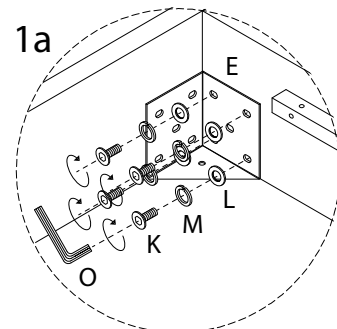
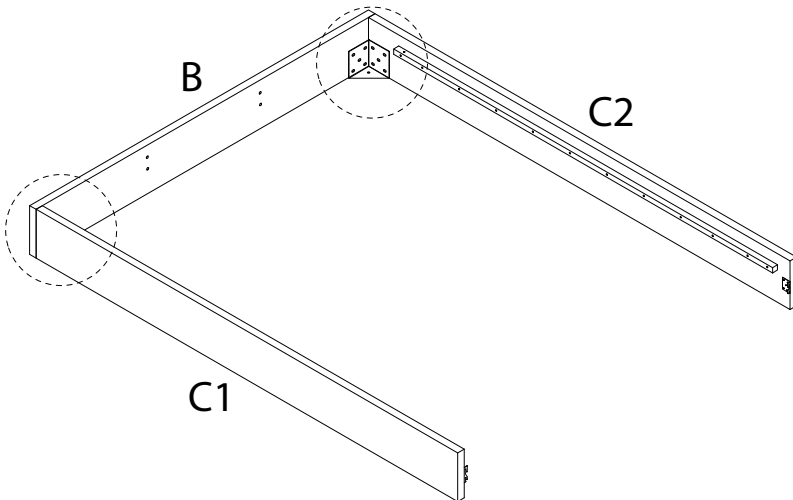
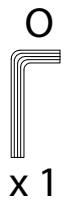
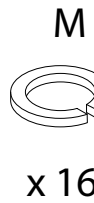
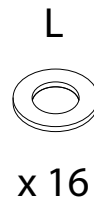
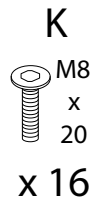
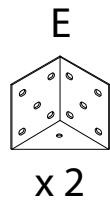
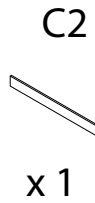


x 36

1



2



3

G



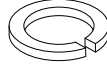
x 2

L



x 2

M



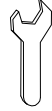
x 2

N

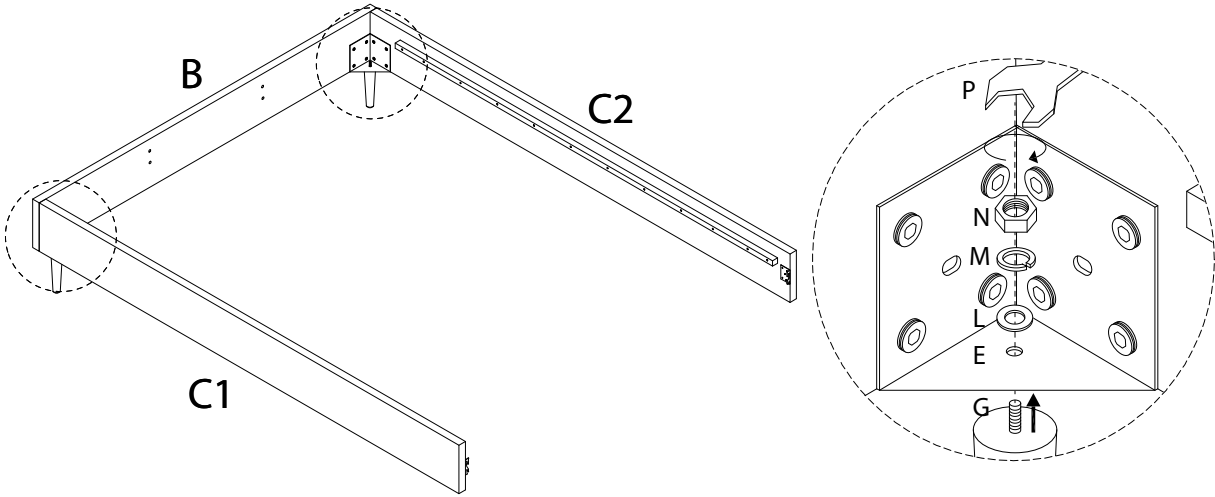


x 2

P

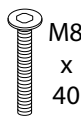


x 1



4

J



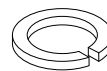
x 4

L



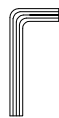
x 4

M

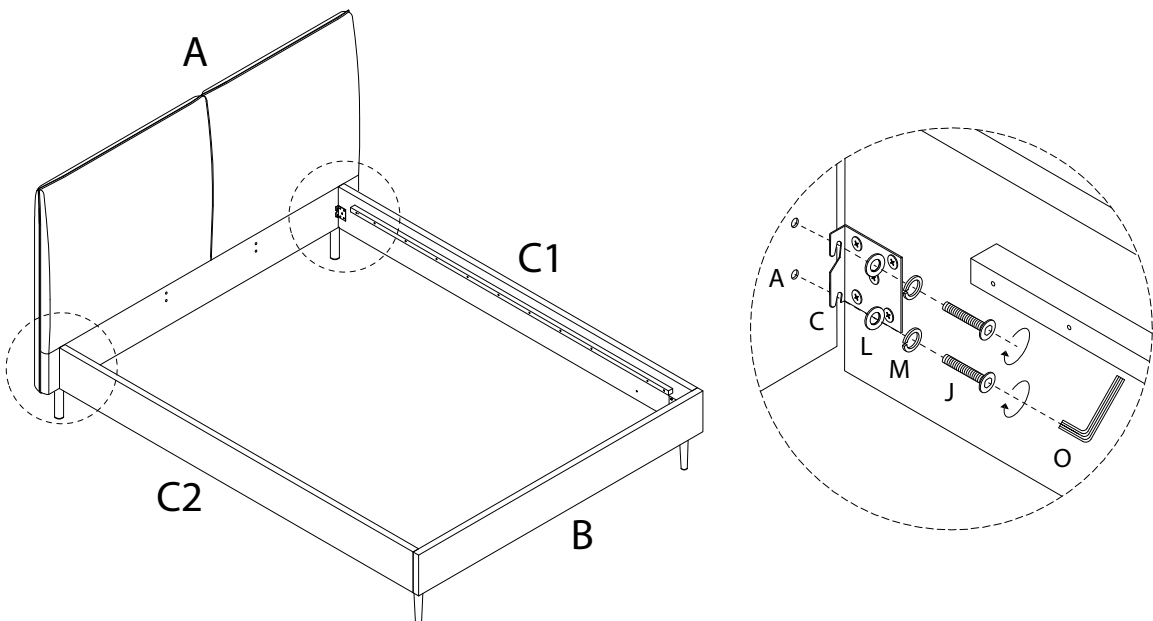


x 4

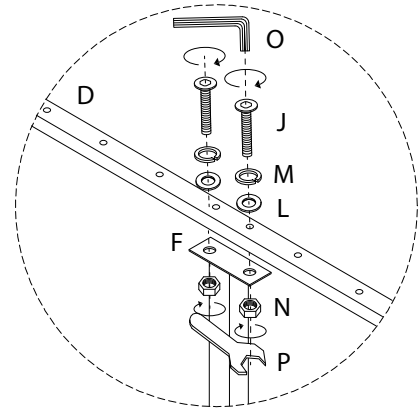
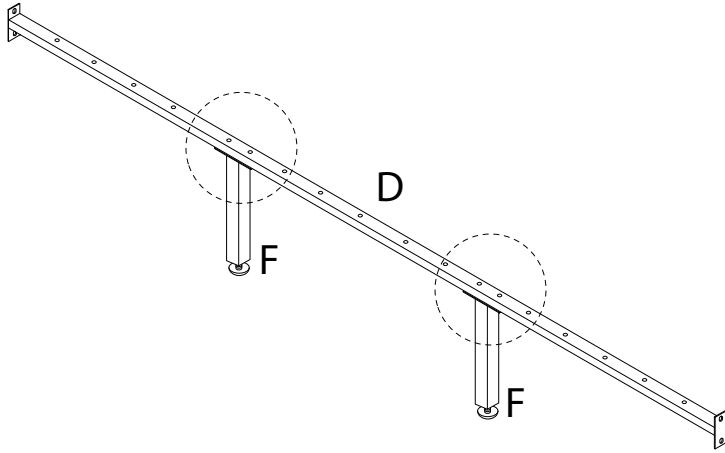
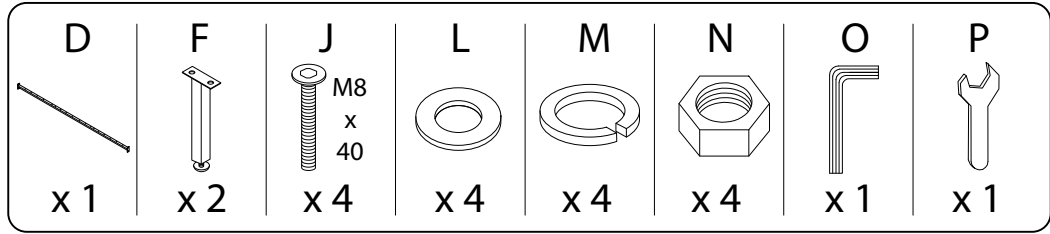
O



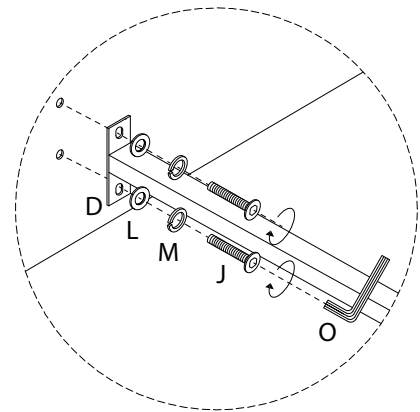
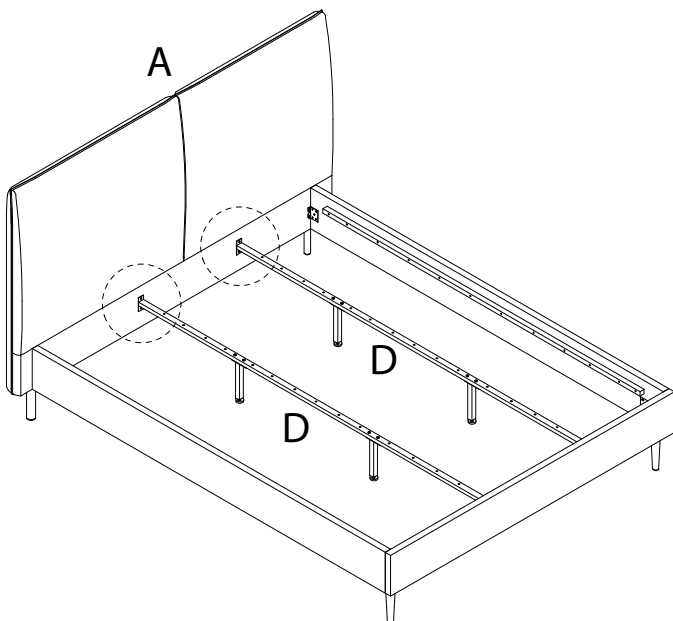
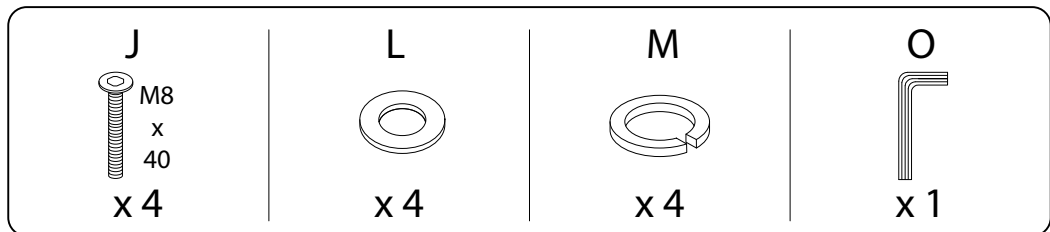
x 1



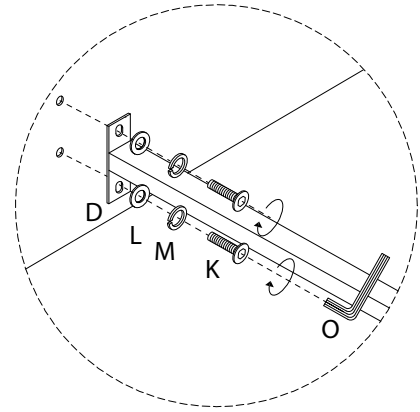
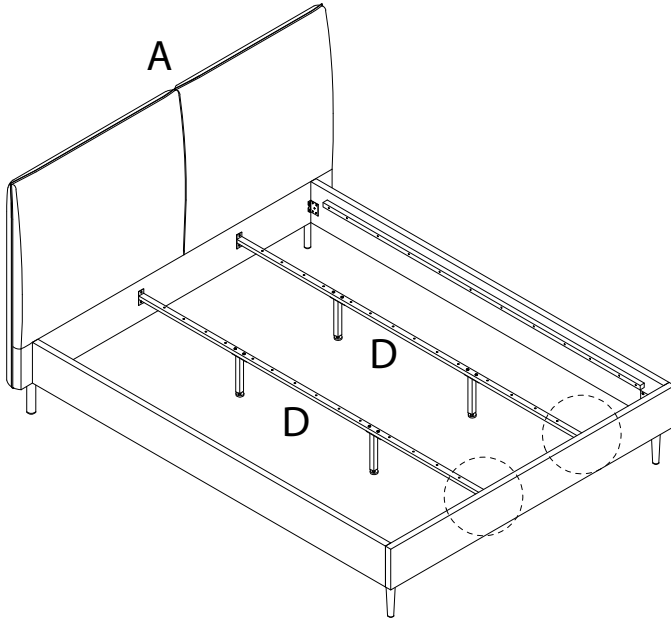
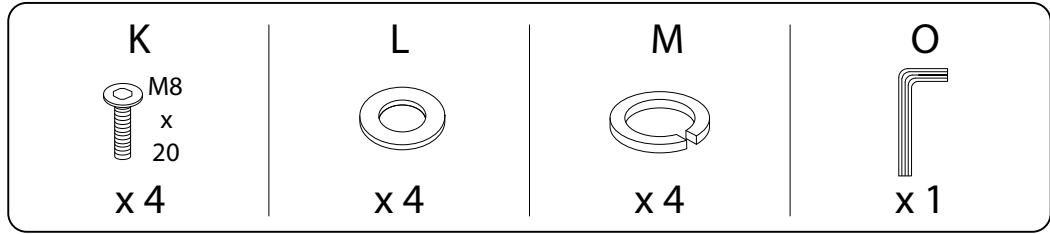
5 x 2



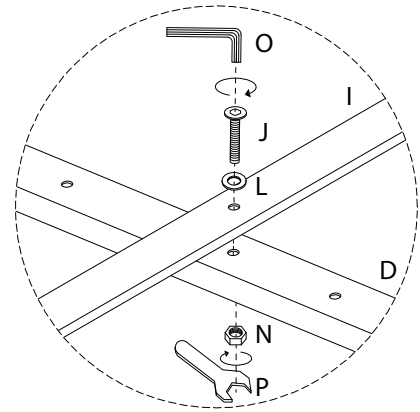
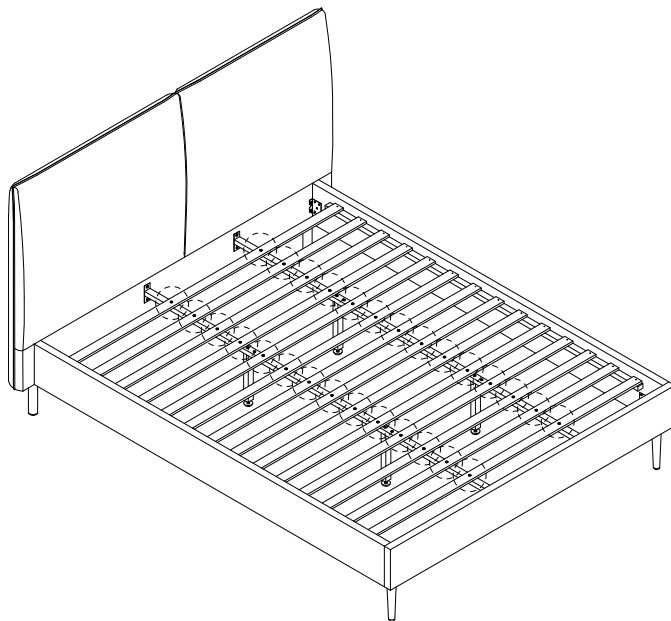
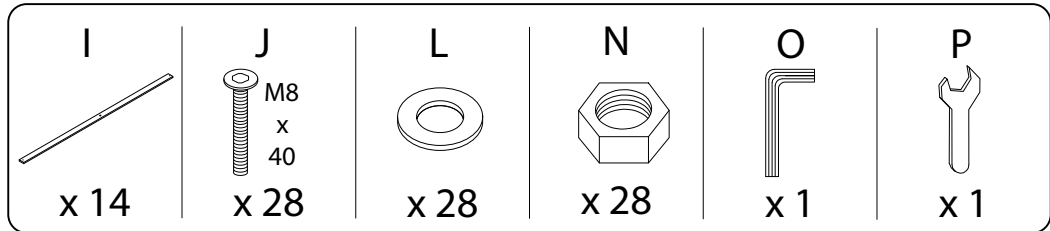
6



7



8



9

Q
M4
x
25
x 28

