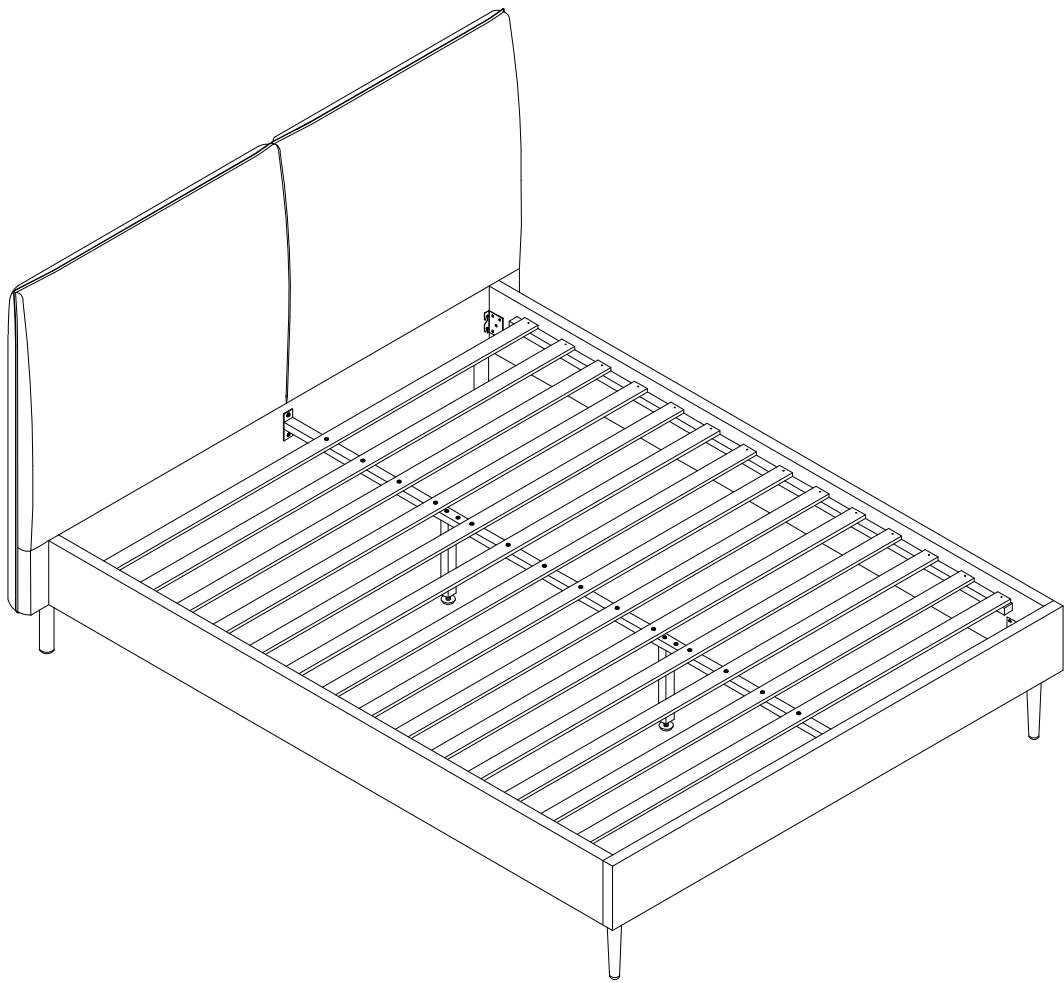
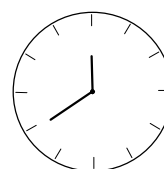
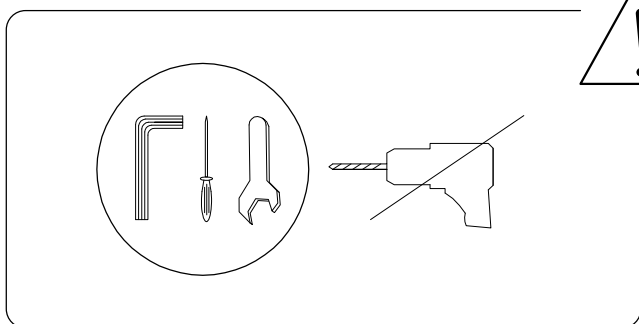
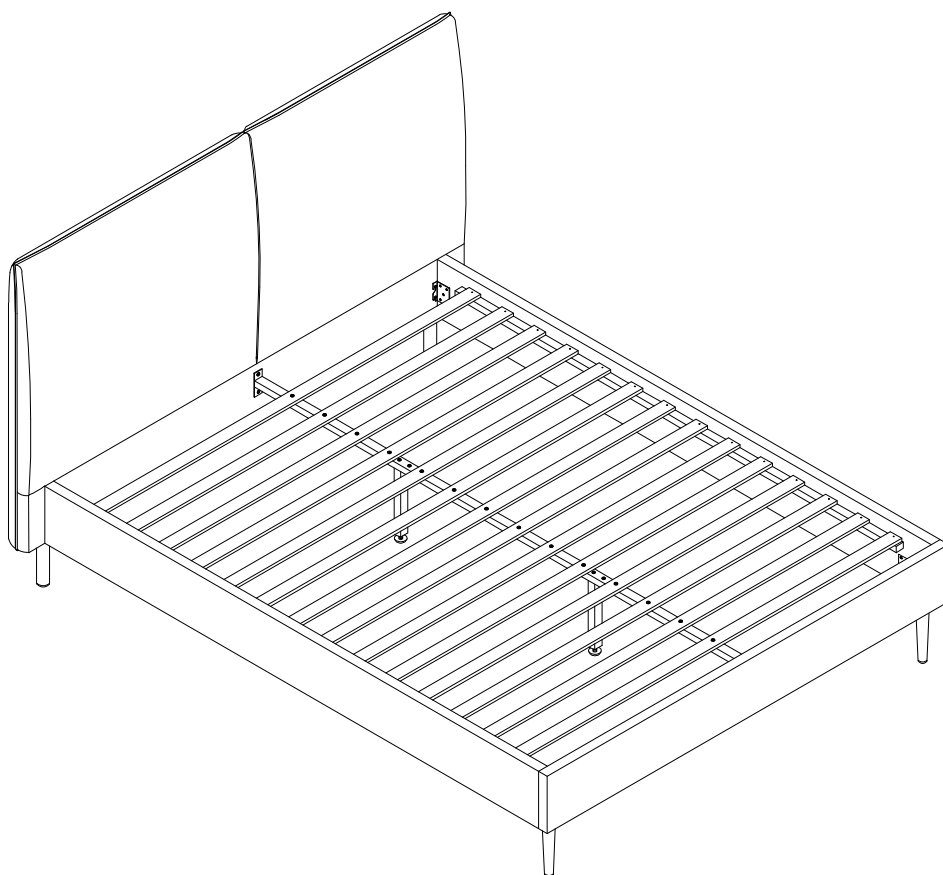
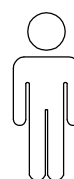
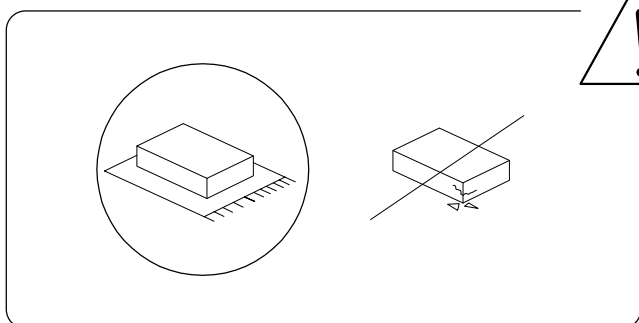


# LIMANTON



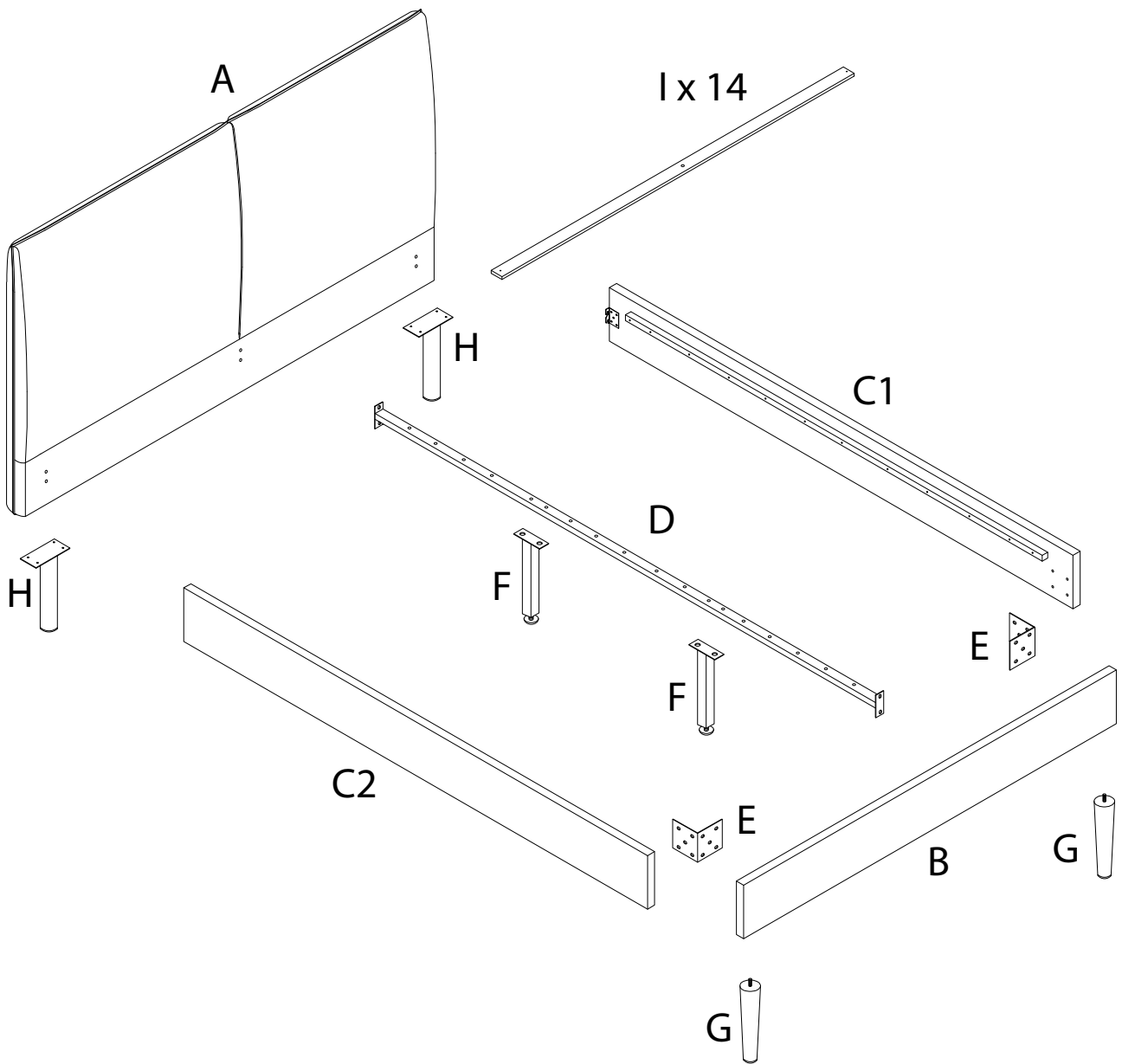


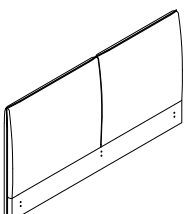
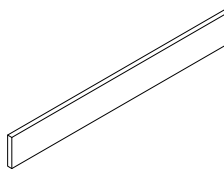
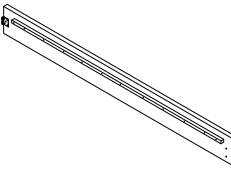
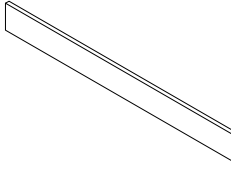
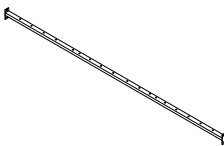
40'



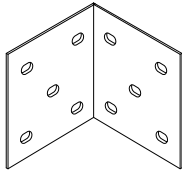
2

1/8



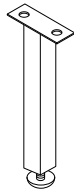
<p>A</p>  <p>x 1</p>	<p>B</p>  <p>x 1</p>	<p>C1</p>  <p>x 1</p>	<p>C2</p>  <p>x 1</p>	<p>D</p>  <p>x 1</p>
---	---	--	---	---

E



x 2

F



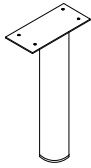
x 2

G



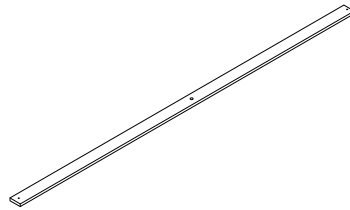
x 2

H



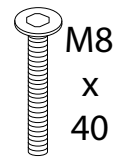
x 2

I



x 14

J



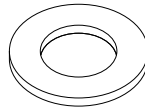
x 24

K



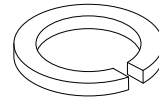
x 18

L



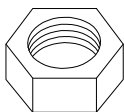
x 44

M



x 30

N



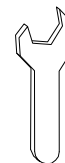
x 20

O



x 1

P



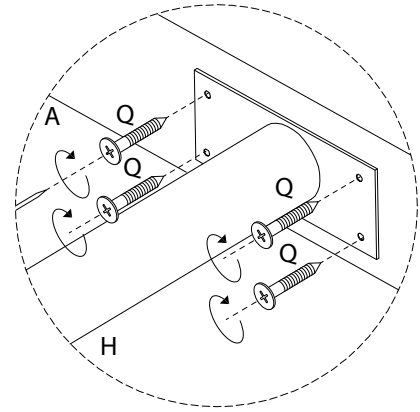
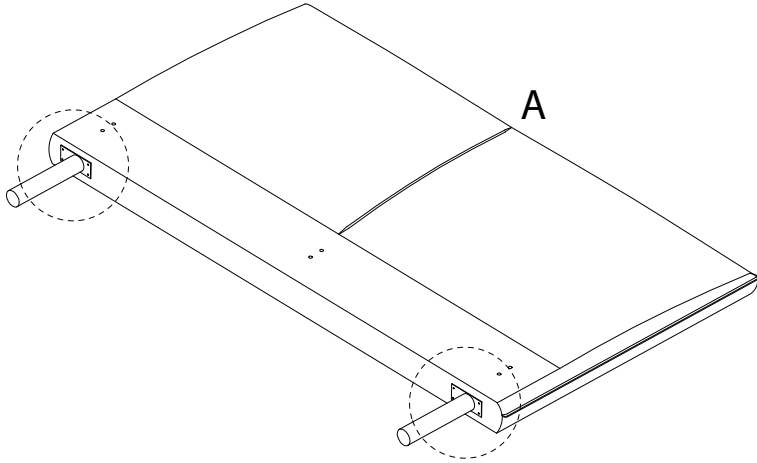
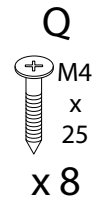
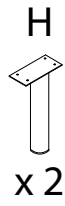
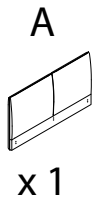
x 1

Q

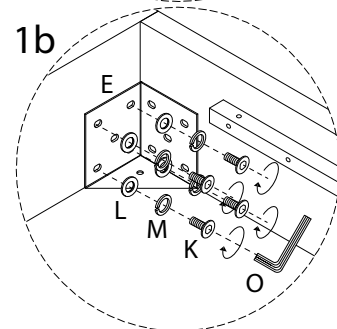
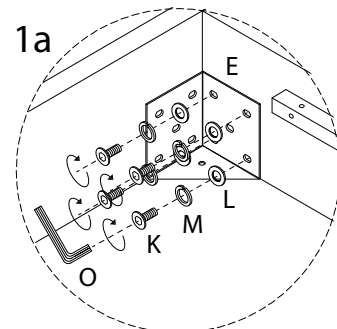
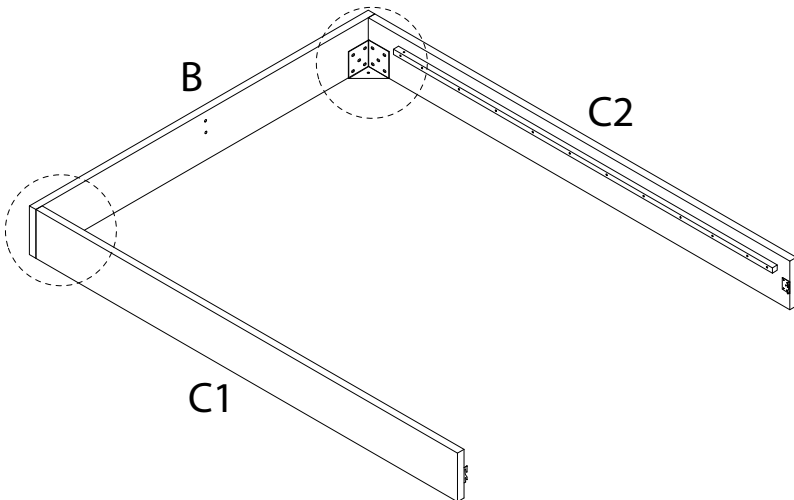
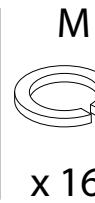
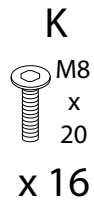
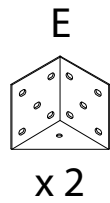
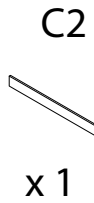
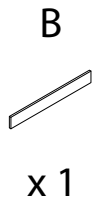


x 36

1



2



3

G



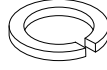
x 2

L



x 2

M



x 2

N

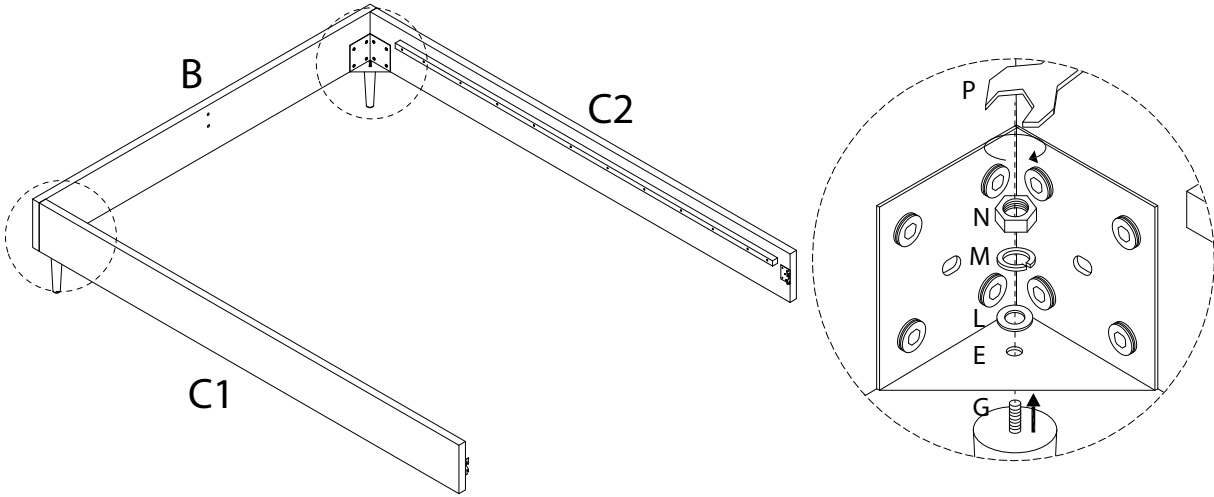


x 2

P

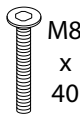


x 1



4

J



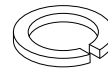
x 4

L



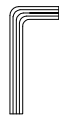
x 4

M

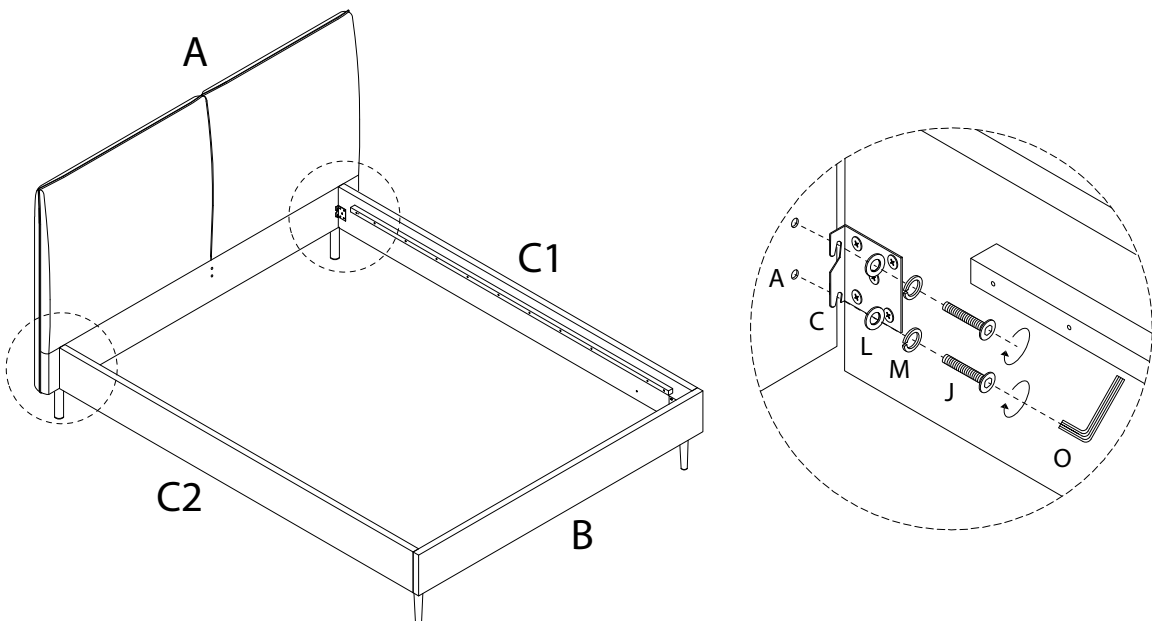


x 4


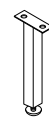
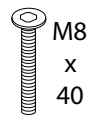
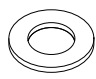
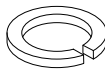
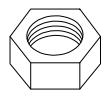
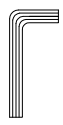
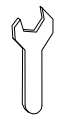
O

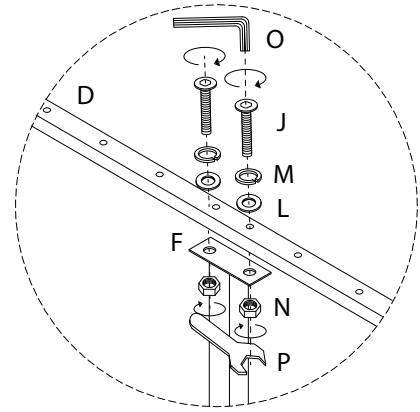
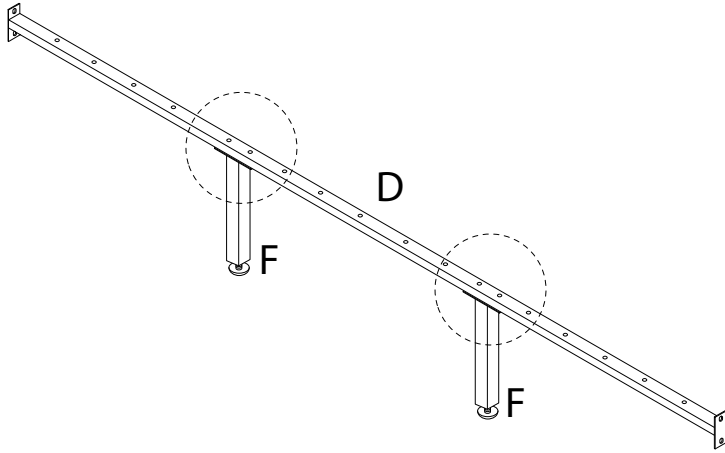


x 1

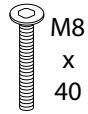
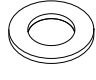
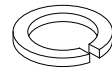
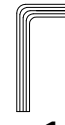


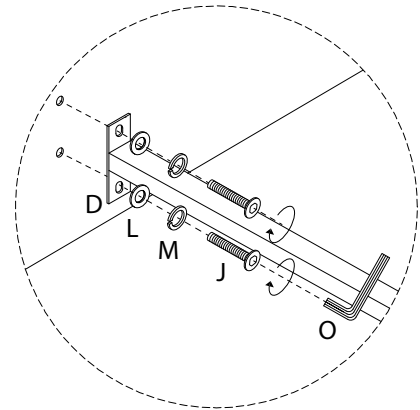
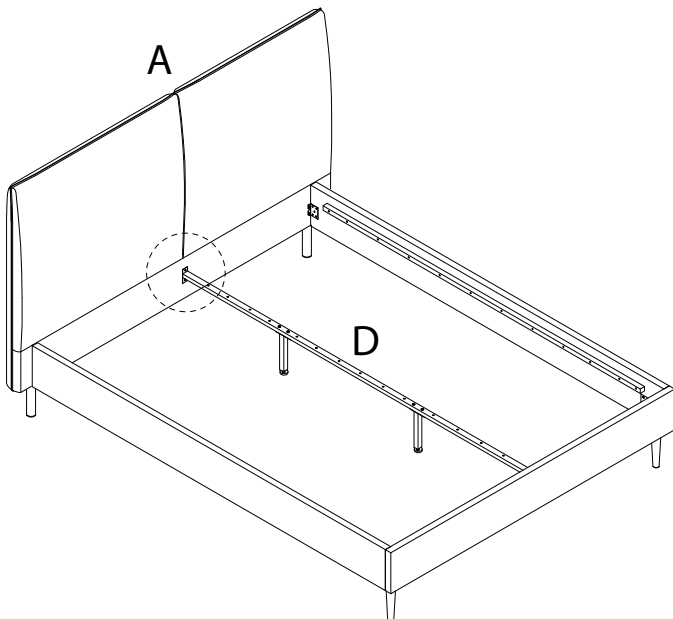
5

D	F	J	L	M	N	O	P
							
x 1	x 2	x 4	x 4	x 4	x 4	x 1	x 1

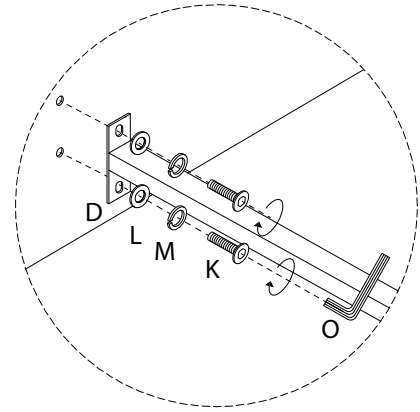
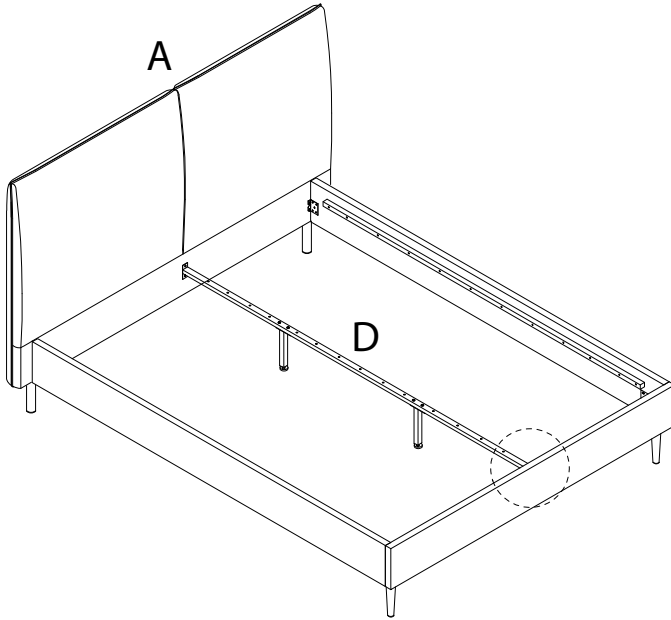
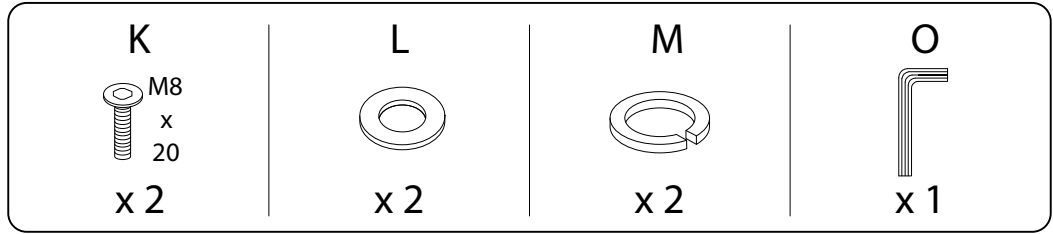


6

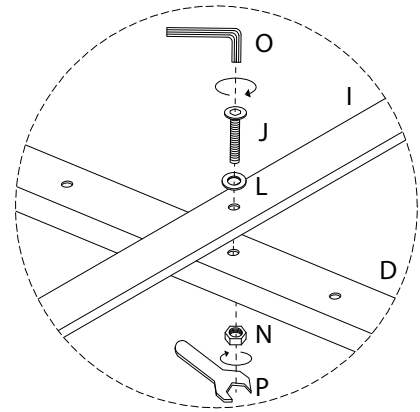
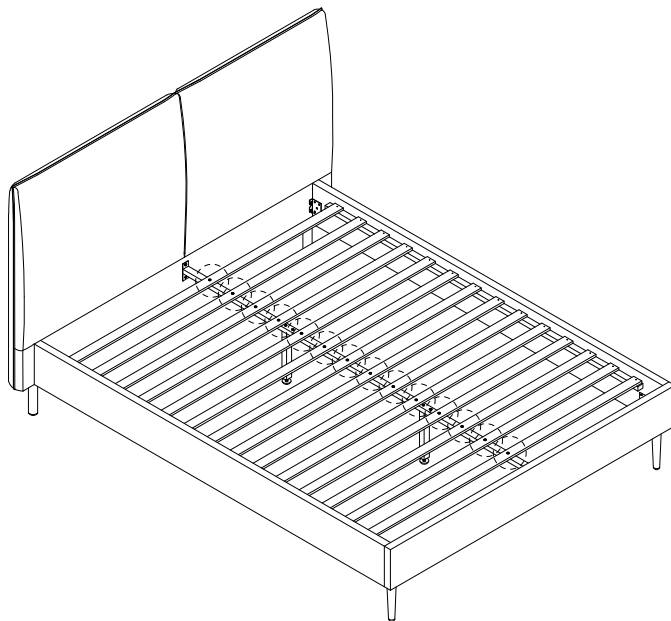
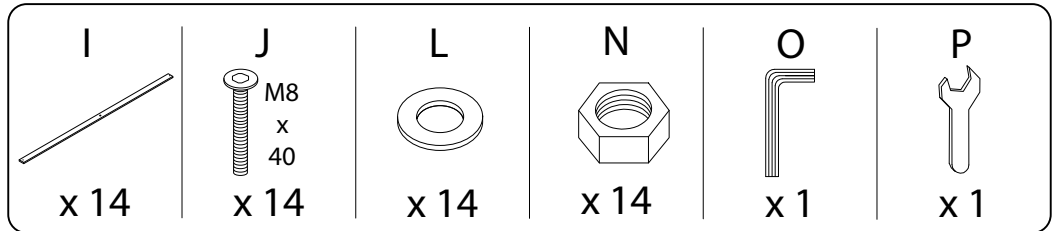
J	L	M	O
			
x 2	x 2	x 2	x 1



7



8





9

Q  
M4  
x  
25  
x 28

