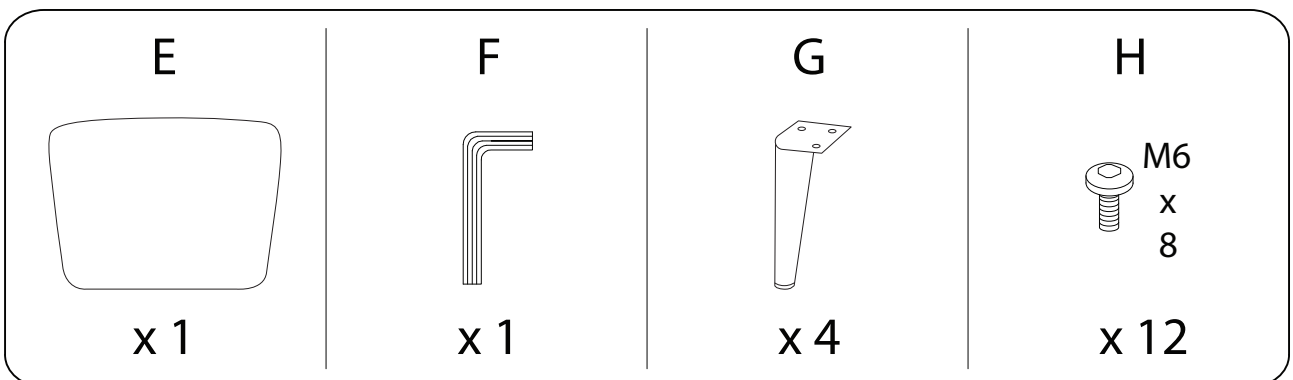
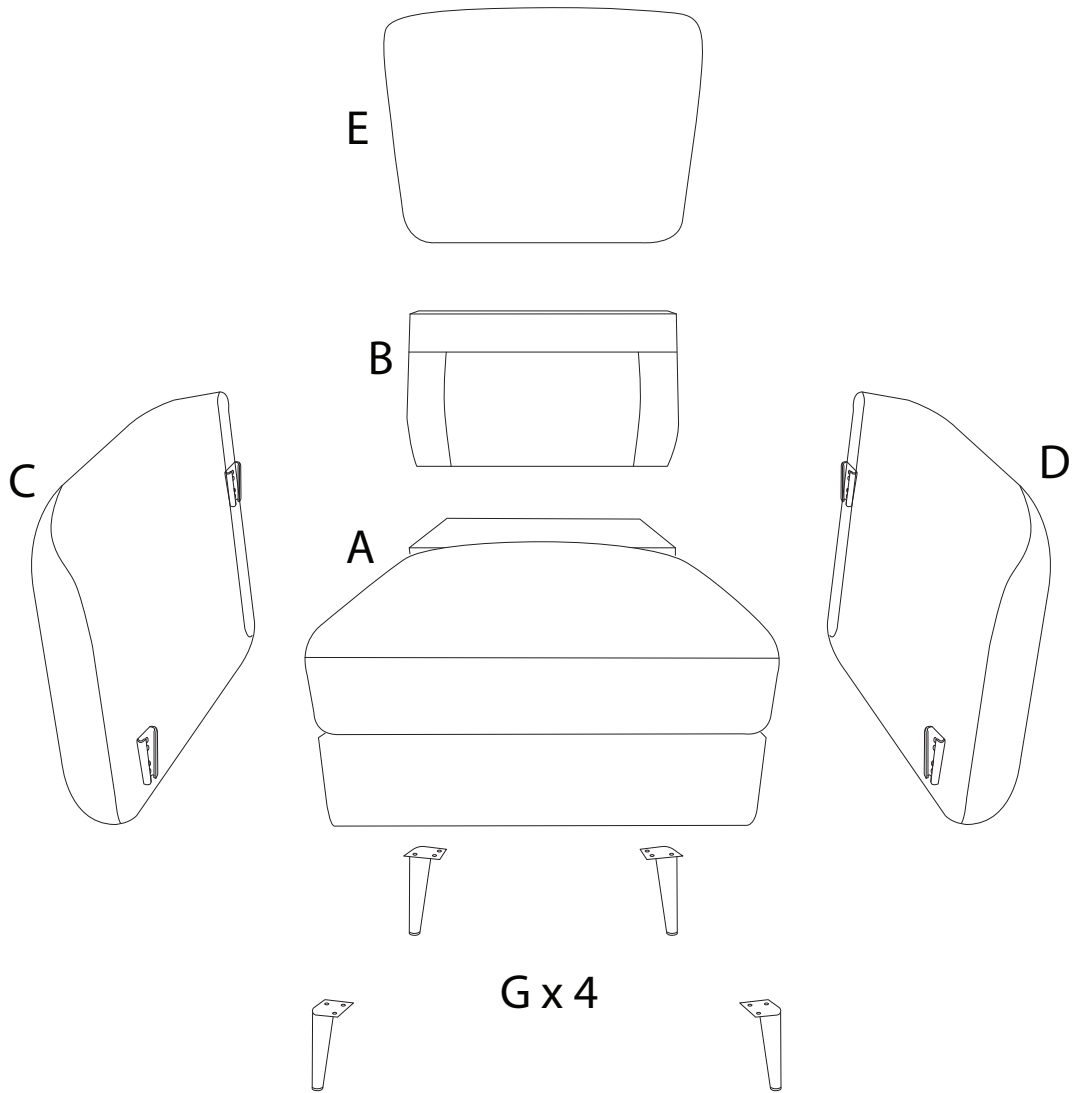
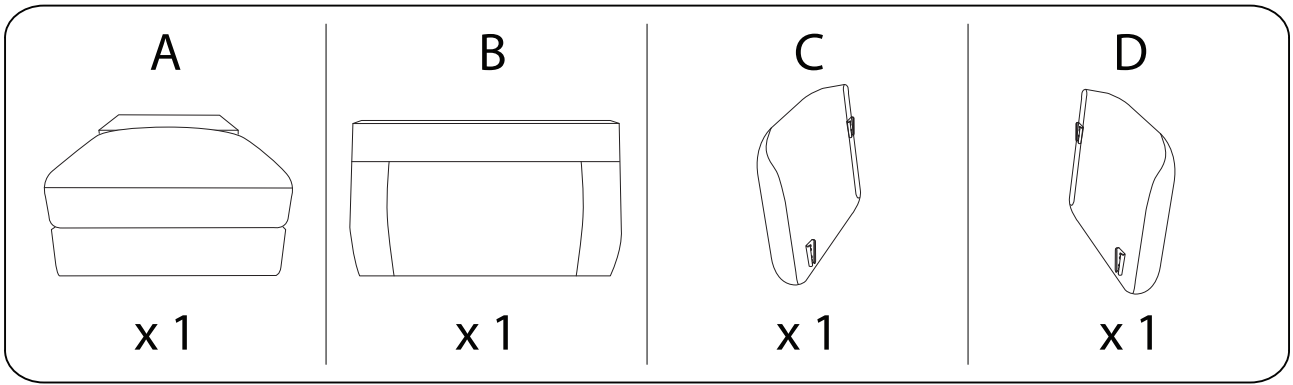


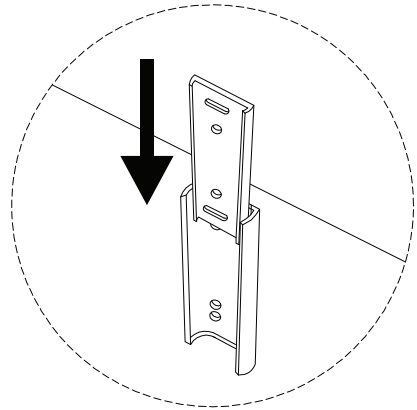
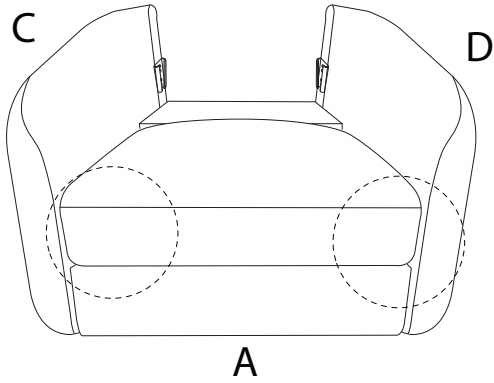
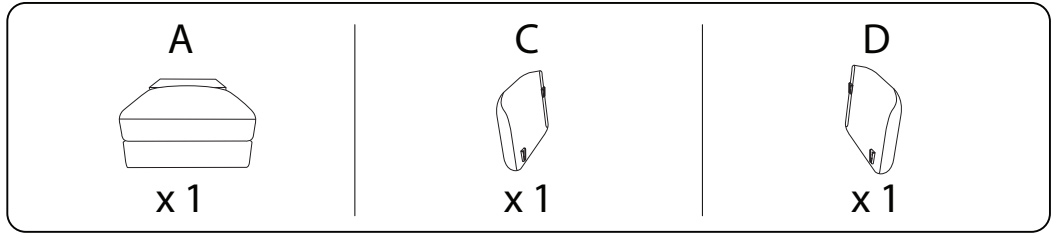
Diagram illustrating assembly instructions and safety warnings:

- Warning 1:** A warning triangle with an exclamation mark is connected by a vertical line to a box containing an L-shaped corner bracket and a power drill with a diagonal slash through it, indicating that a power drill should not be used for this step.
- Warning 2:** A second warning triangle with an exclamation mark is connected by a vertical line to a box containing a rectangular block being placed on a textured surface and another block being inserted into a hole, indicating a specific assembly step.
- Time:** A clock icon with the text "30'" below it, indicating an estimated assembly time of 30 minutes.
- Person:** An icon of a person with the number "1" below it, indicating that one person is required for assembly.

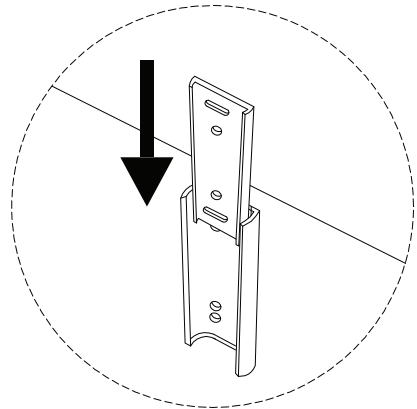
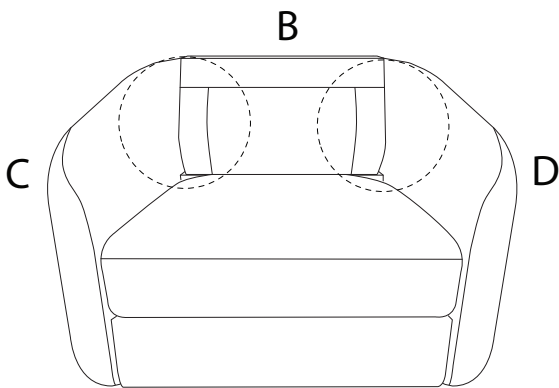
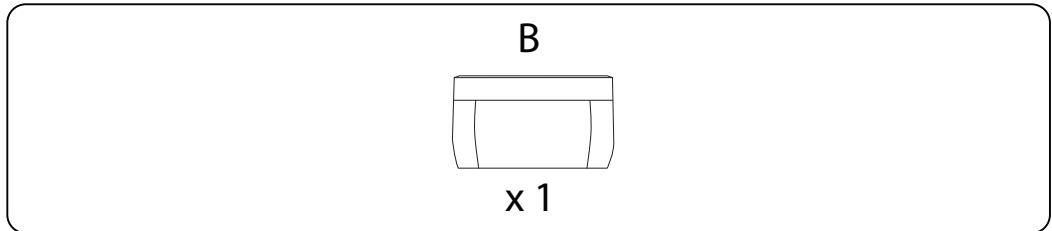
A



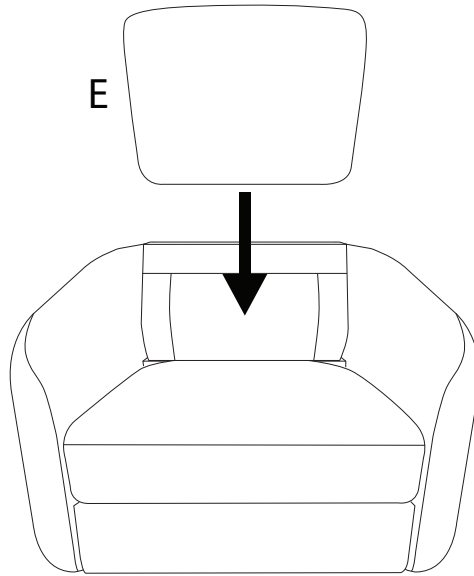
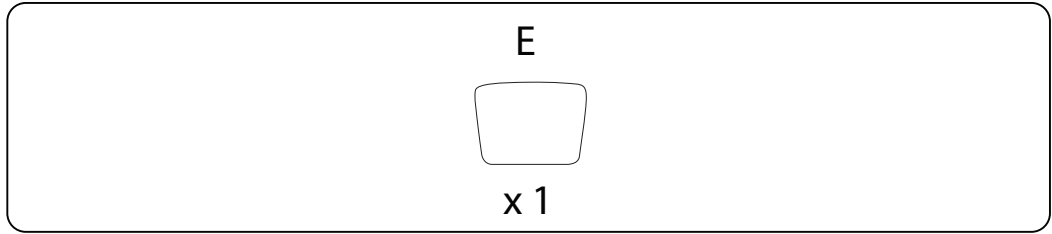
1



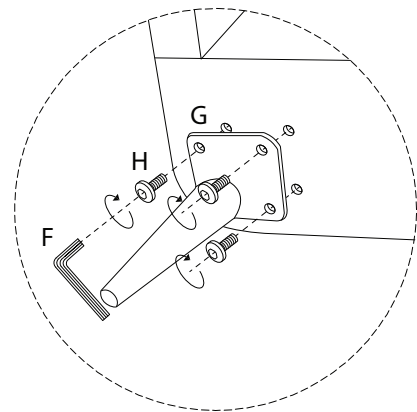
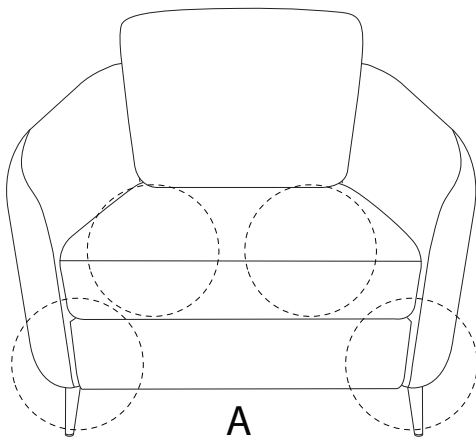
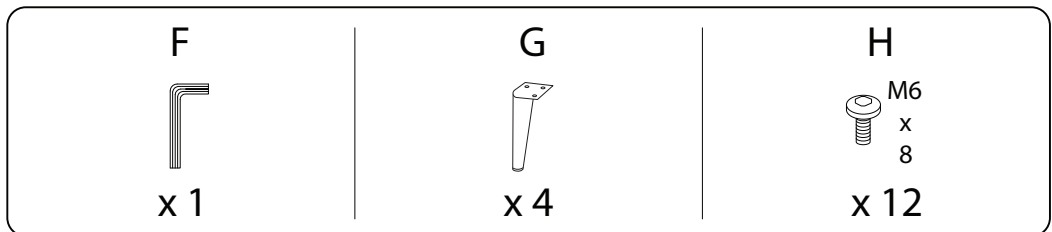
2



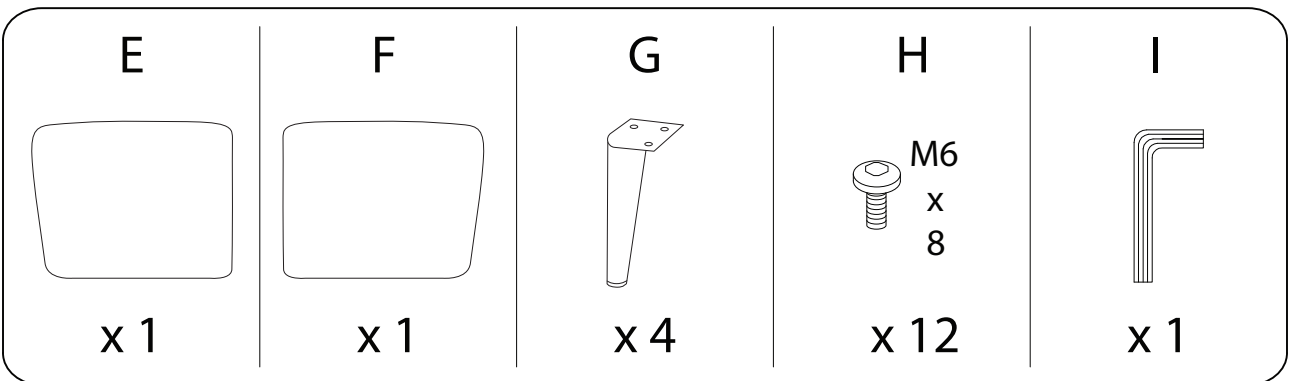
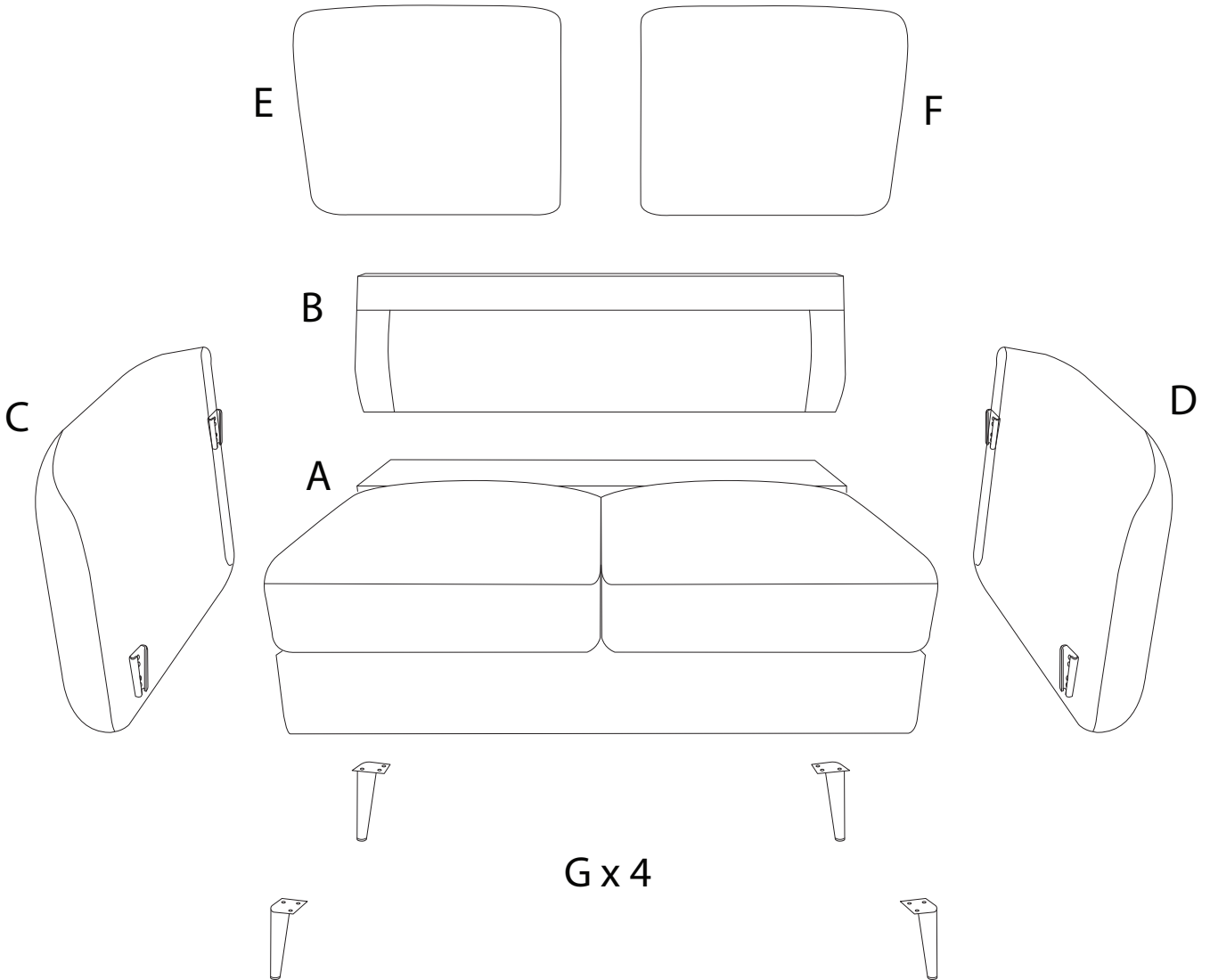
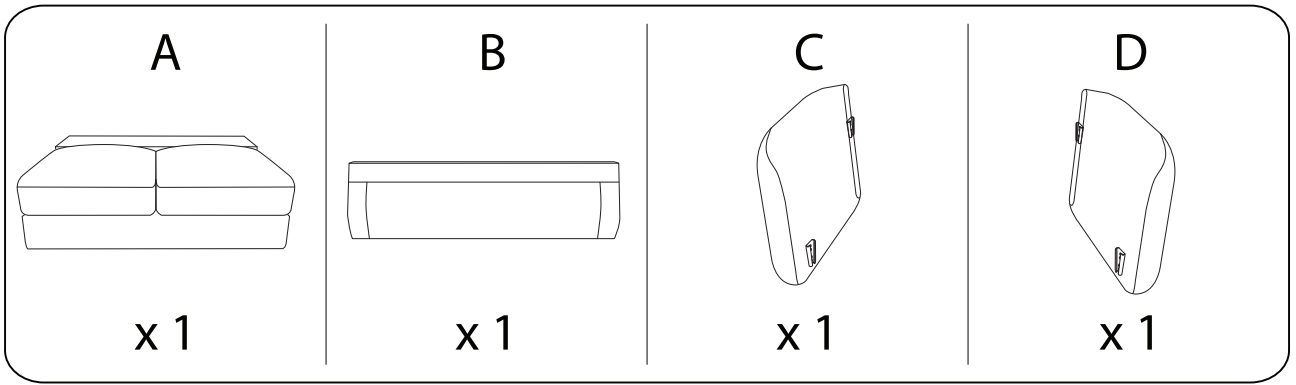
3



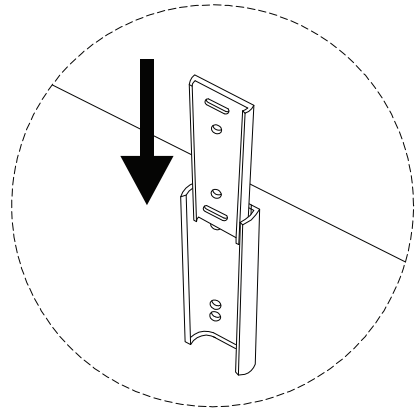
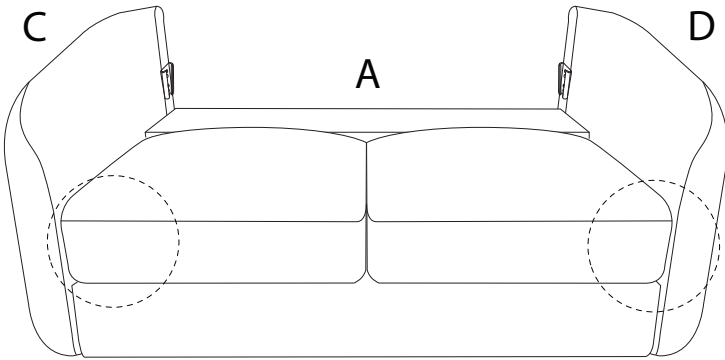
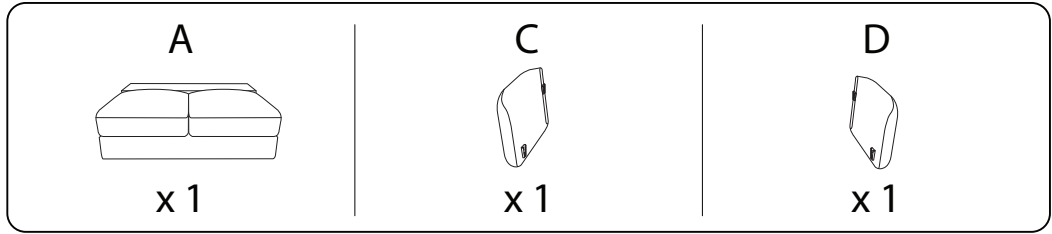
4



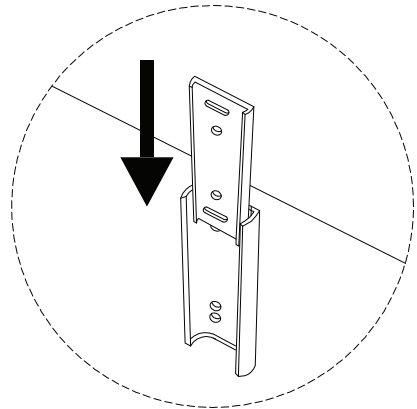
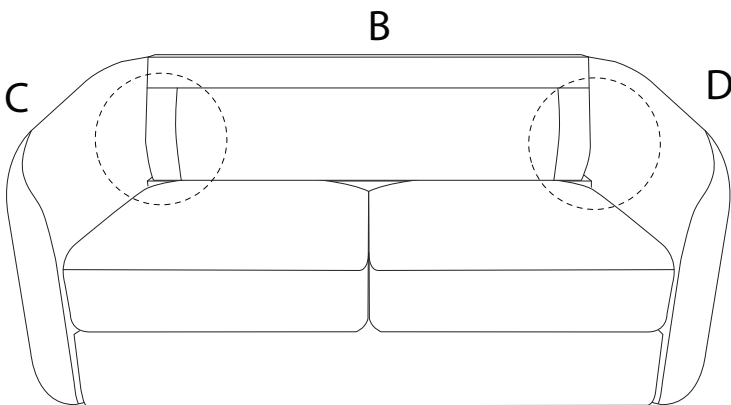
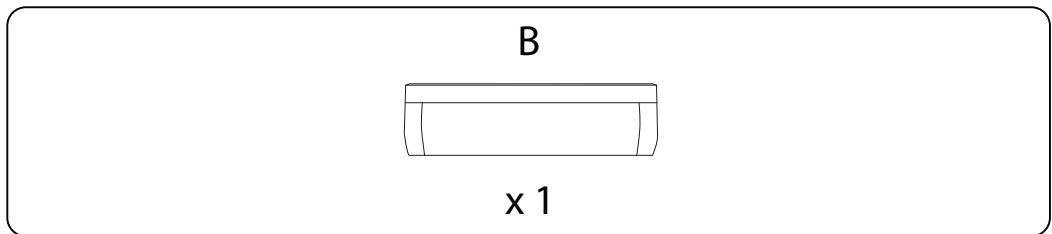
B



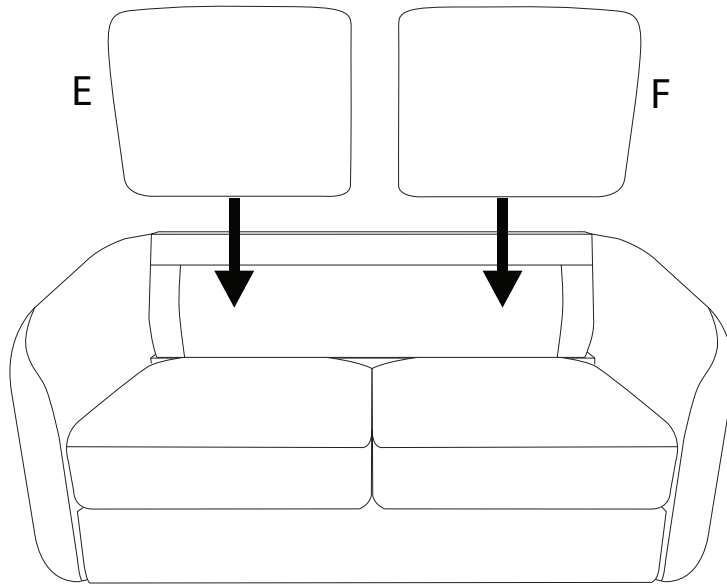
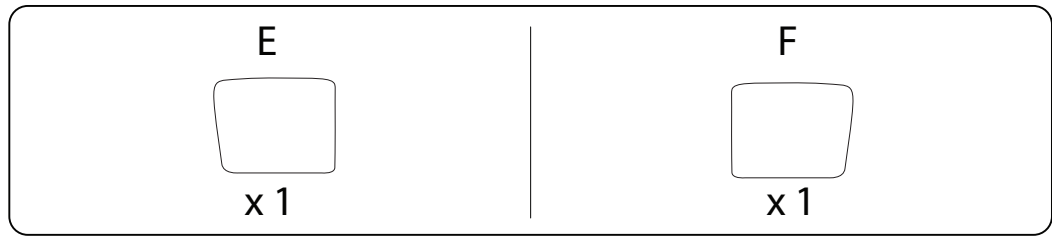
1



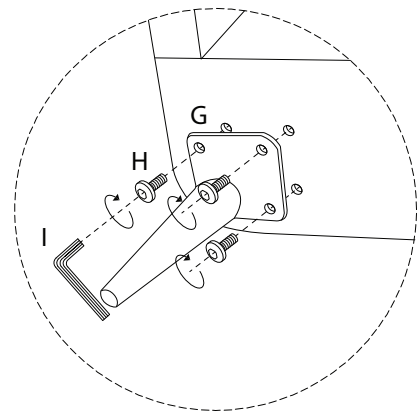
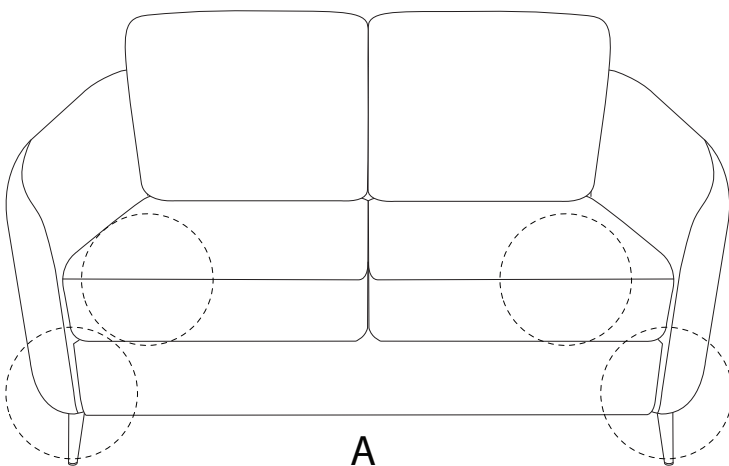
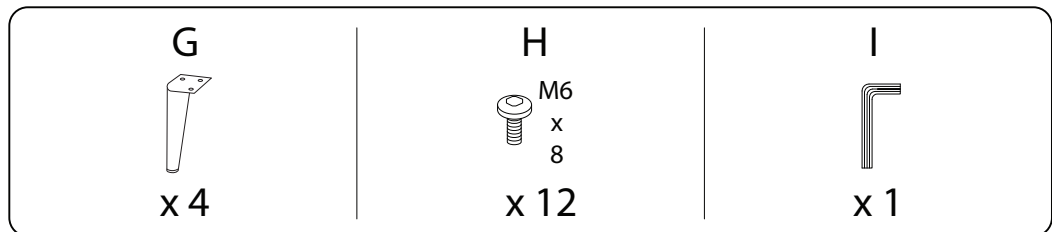
2



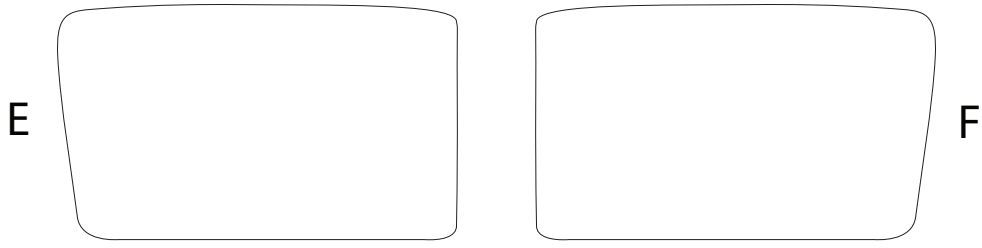
3



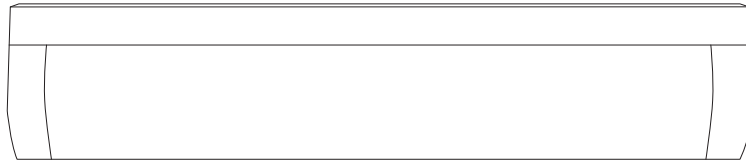
4



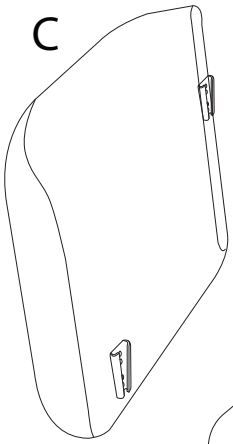
C



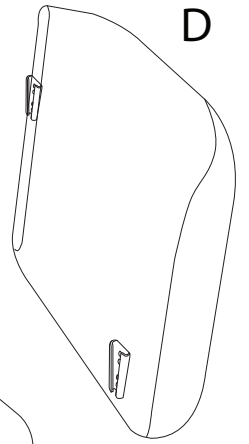
B



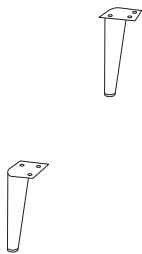
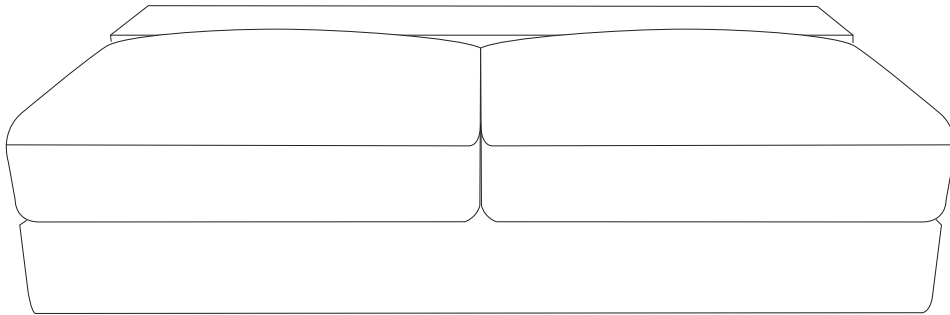
C



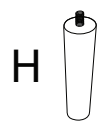
D



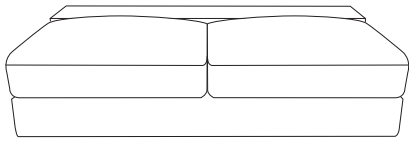
A



G x 4

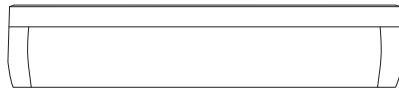


A



x 1

B



x 1

C



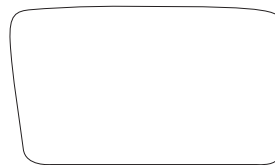
x 1

D



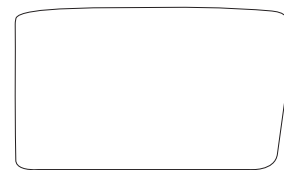
x 1

E



x 1

F



x 1

G



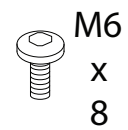
x 4

H



x 1

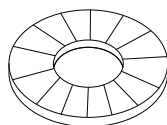
I



M6
x
8

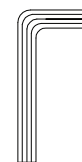
x 12

J



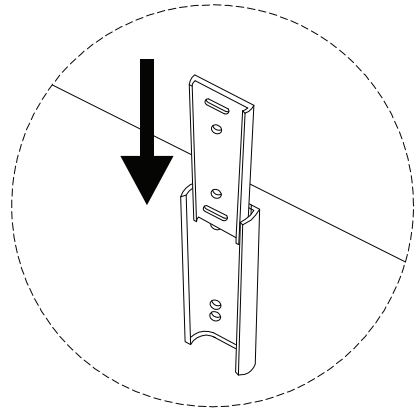
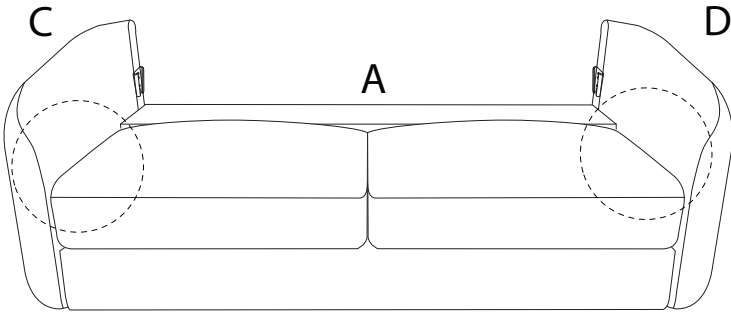
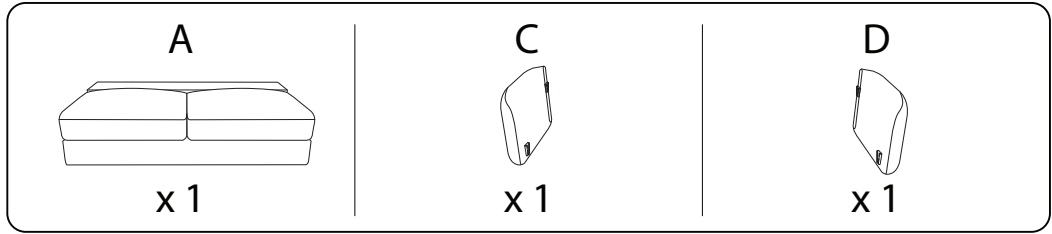
x 1

K

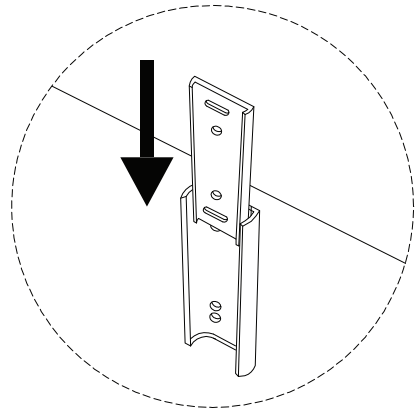
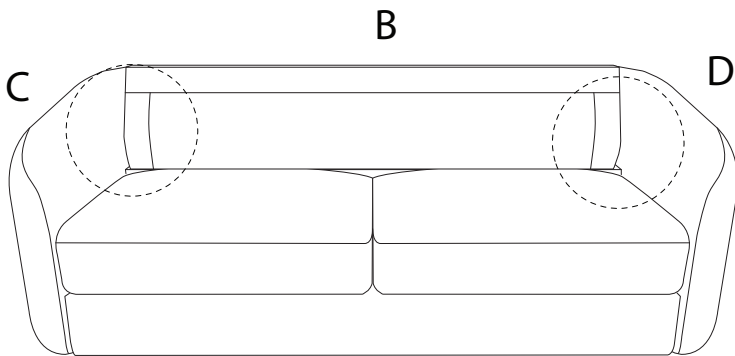
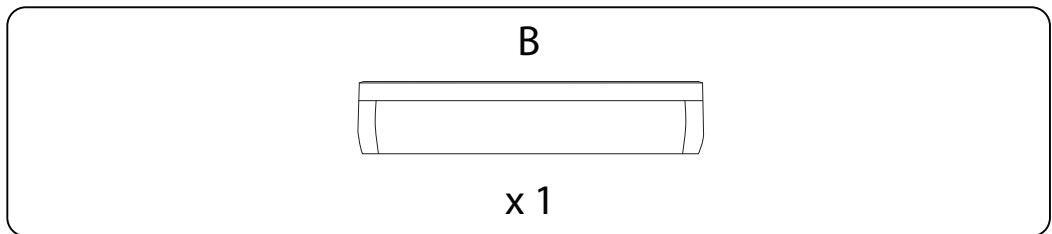


x 1

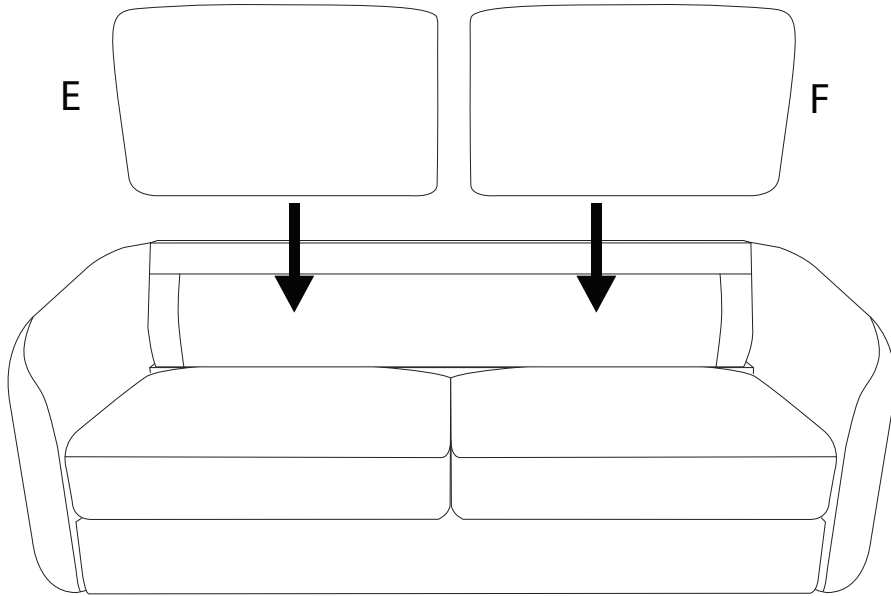
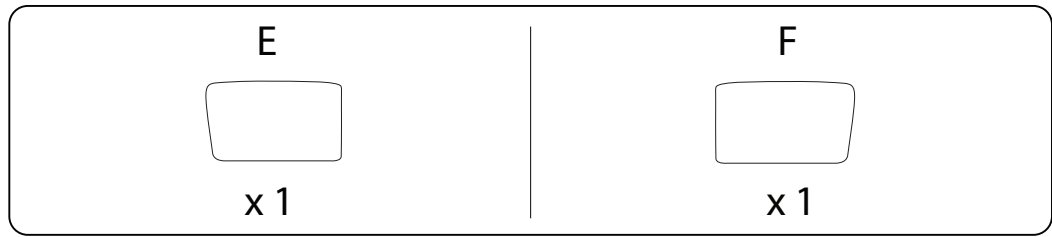
1



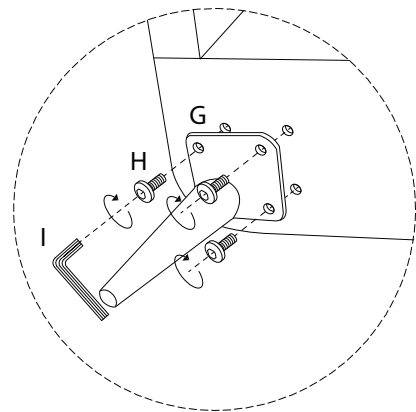
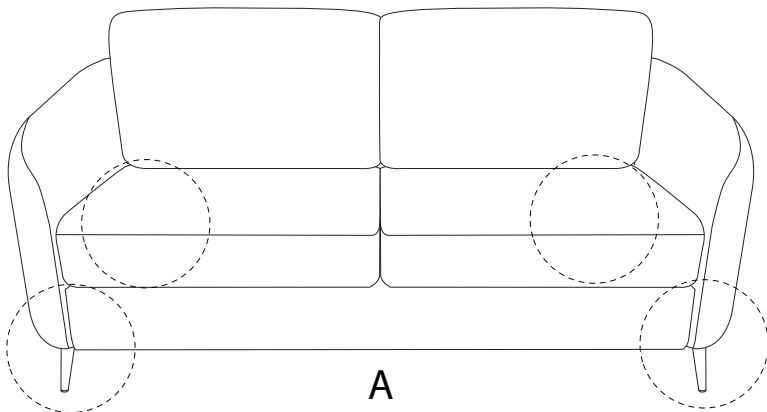
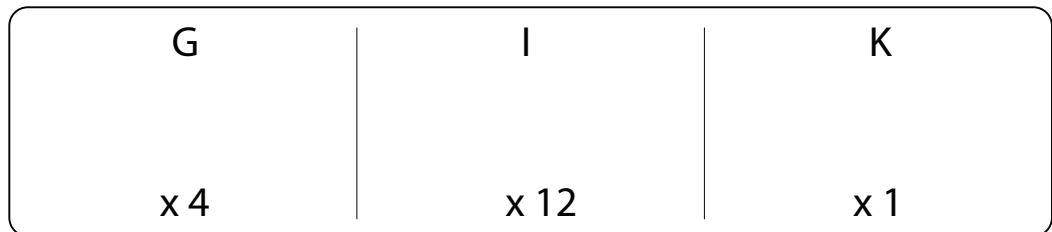
2



3



4



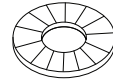
5

H



x 1

J



x 1

