

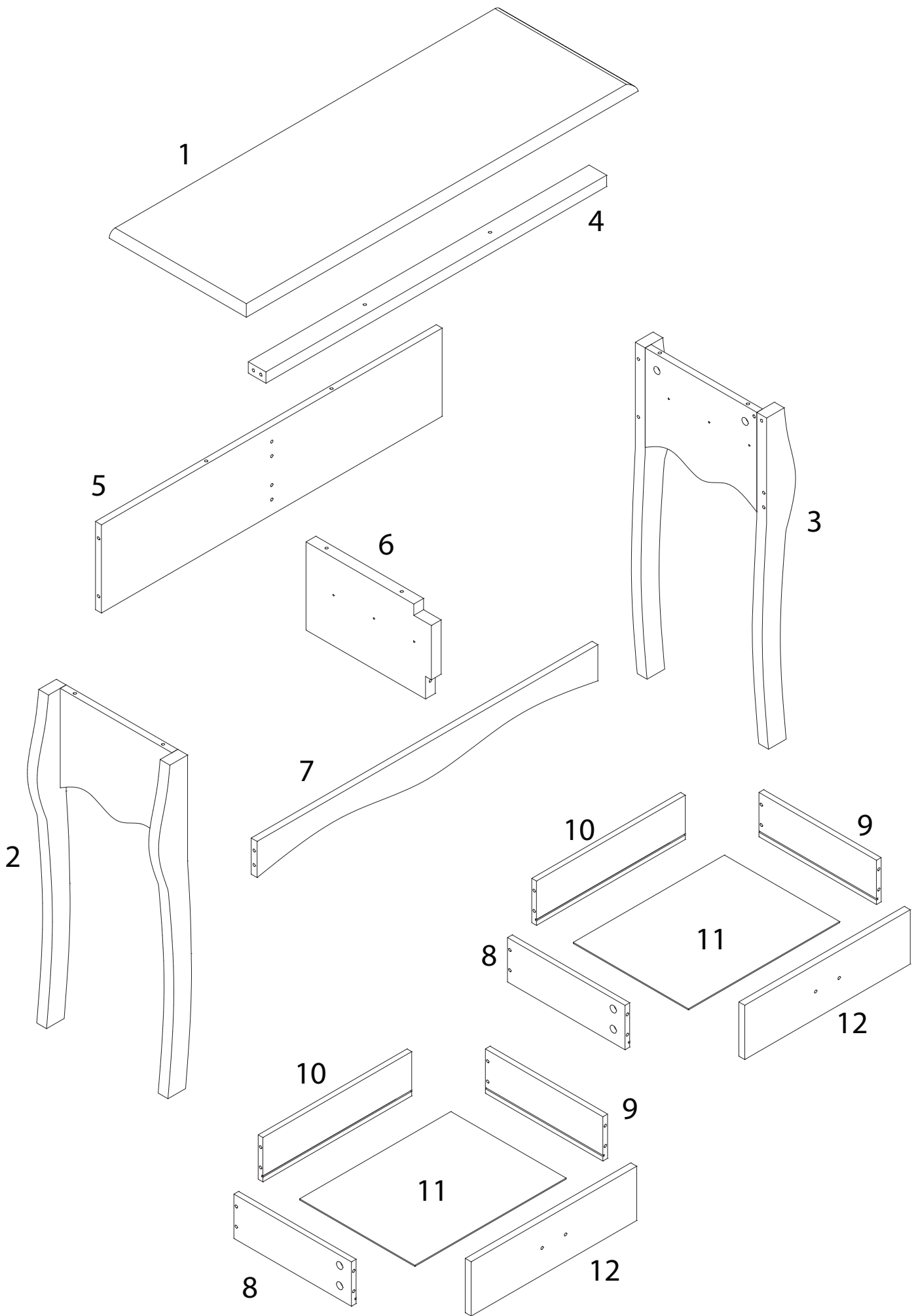
# KLAWOCK

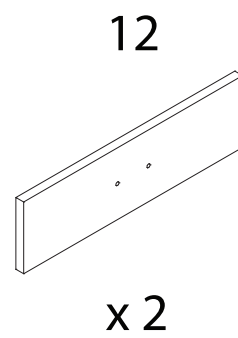
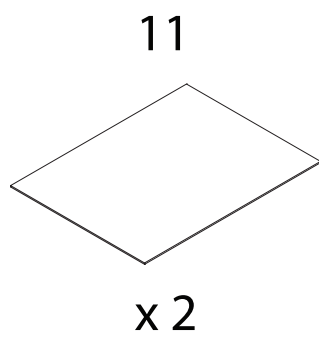
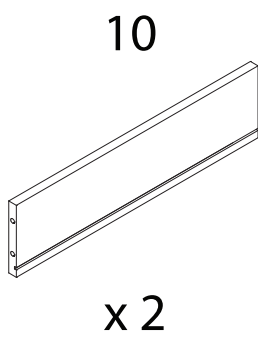
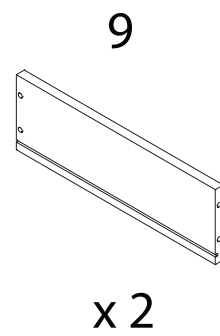
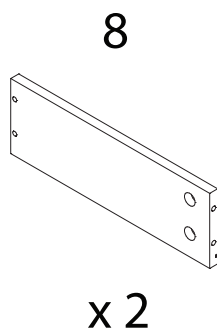
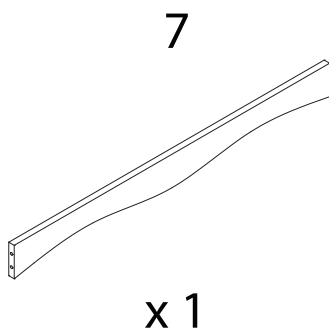
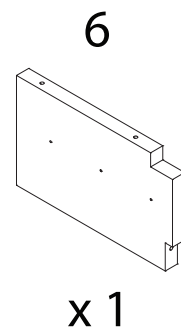
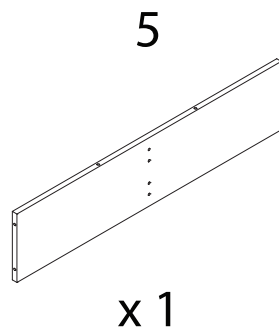
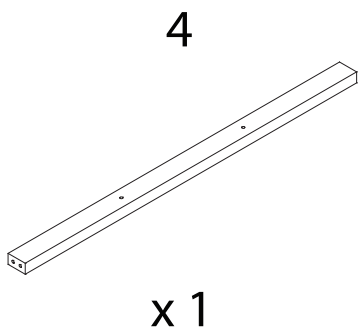
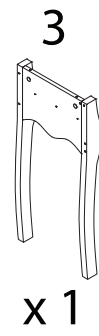
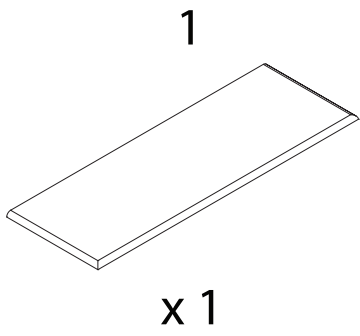




Assembly instructions for step 1/16:

- Tools: A screwdriver is shown as the correct tool, and a power drill is shown with a diagonal line through it, indicating it should not be used.
- Warning: A triangle with an exclamation mark indicates a warning.
- Time: A clock icon indicates a 45-minute duration.
- Personnel: An icon of a person indicates that 2 people are required for this step.



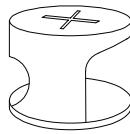


A



x 27

B



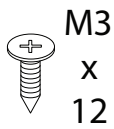
x 27

C



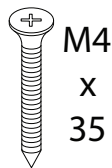
x 4

D



x 24

E



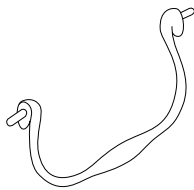
x 14

F1



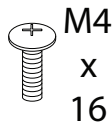
x 4

F2



x 2

G



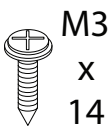
x 4

H



x 2

I



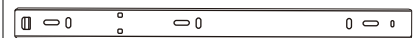
x 2

J



x 2

K



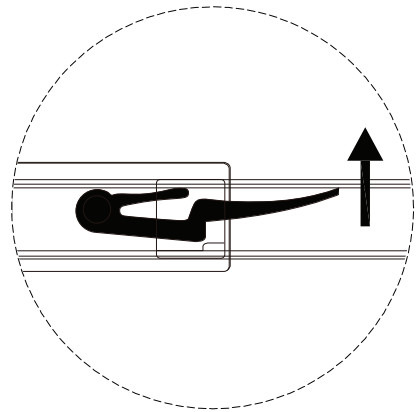
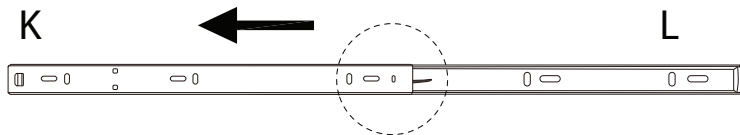
x 4

L

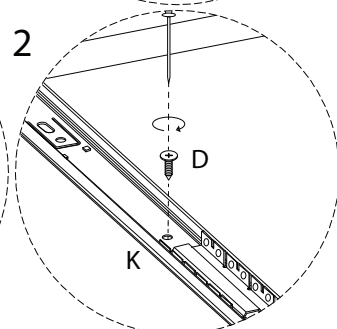
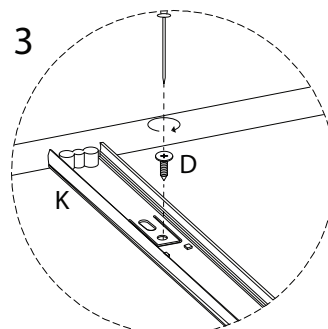
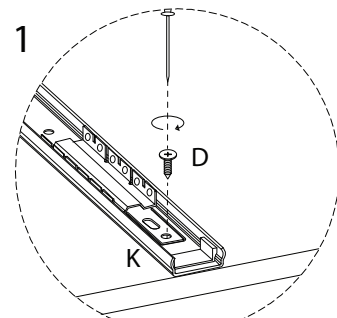
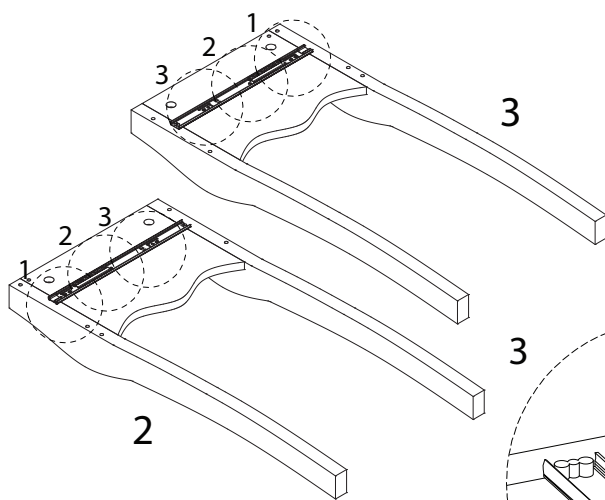
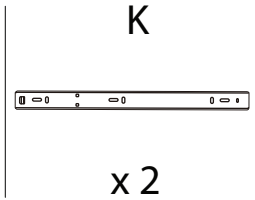
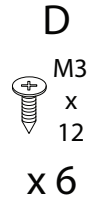


x 4

!



1

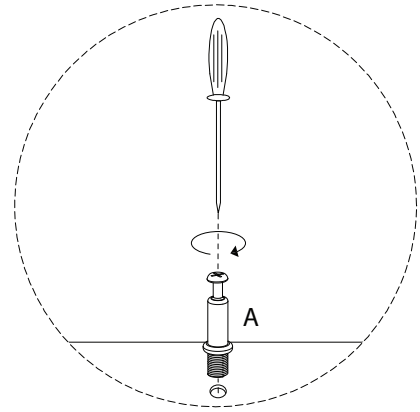
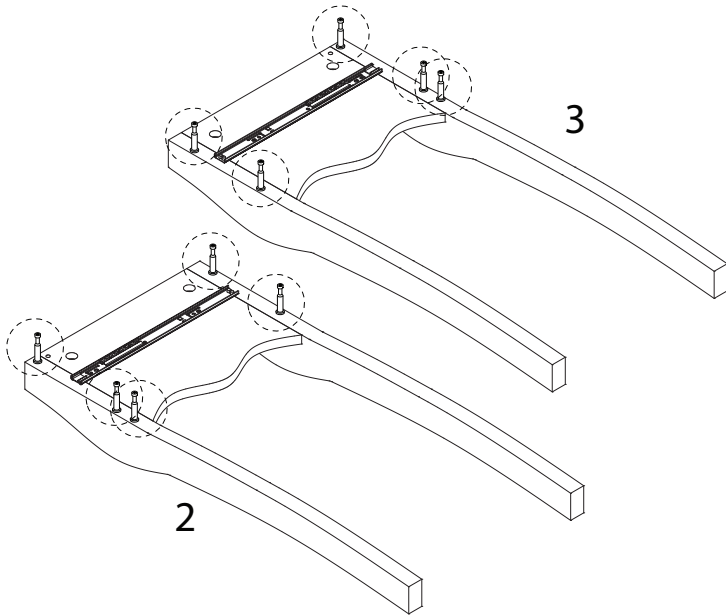


2

A



x 10

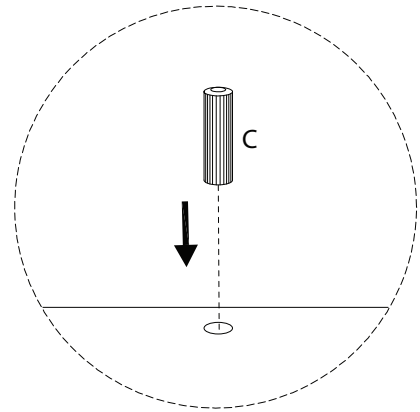
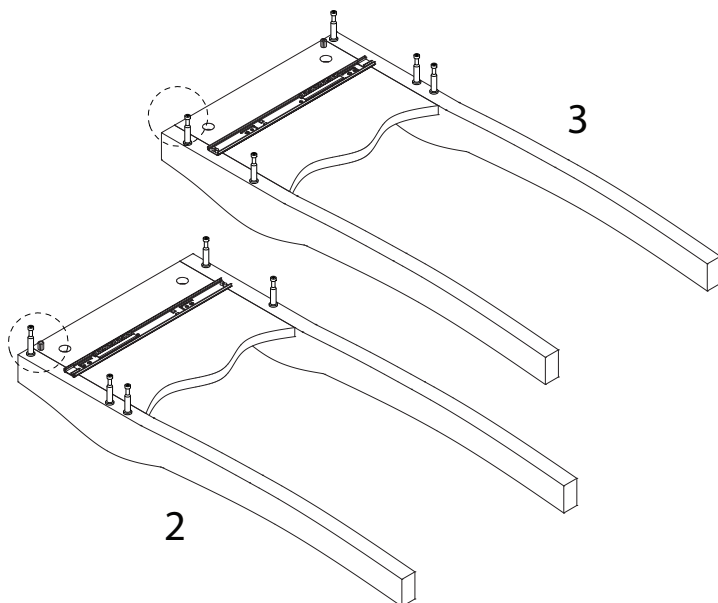


3

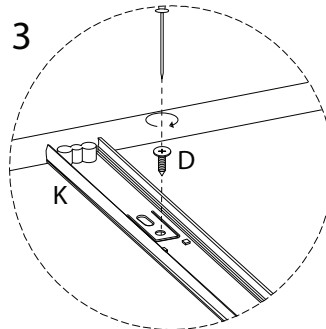
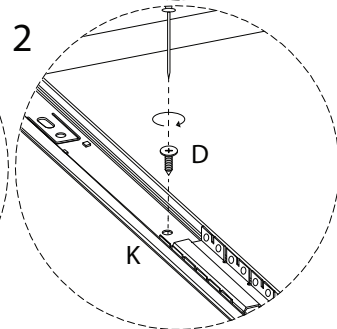
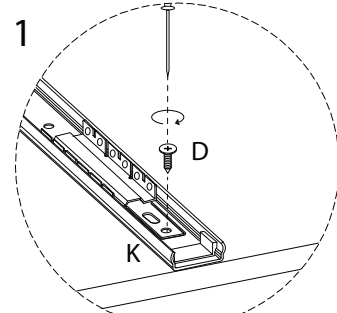
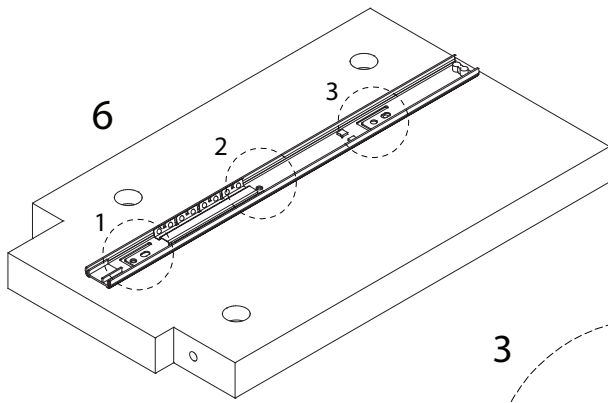
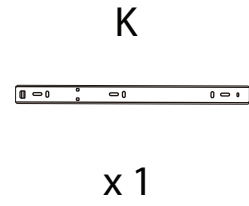
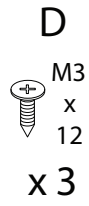
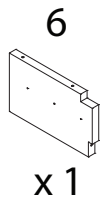
C



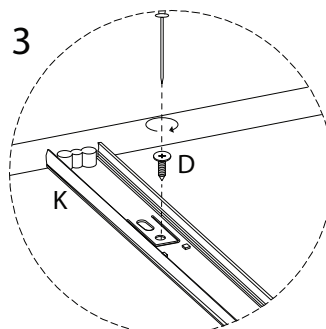
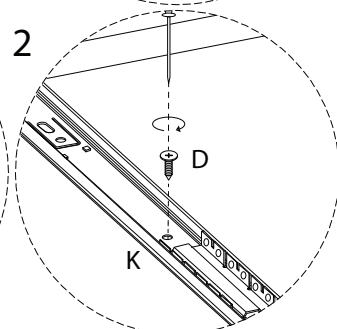
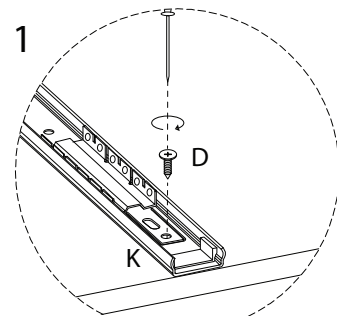
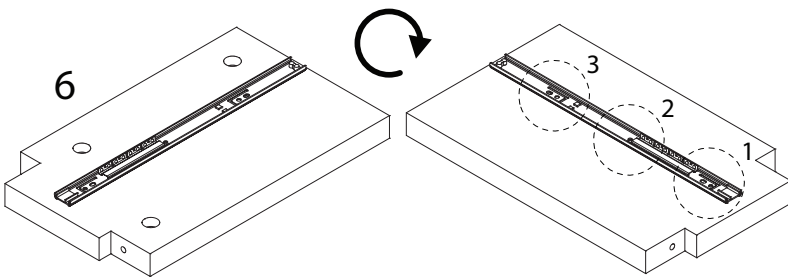
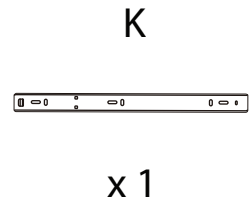
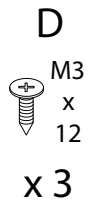
x 2



4

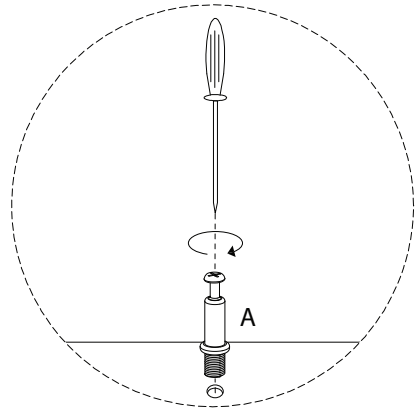
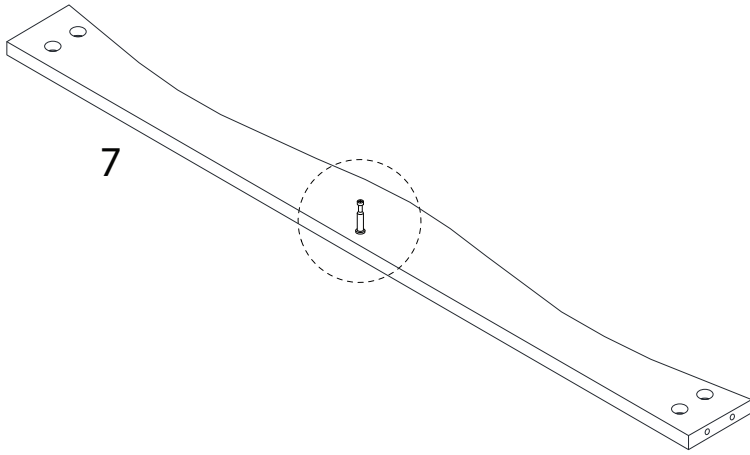
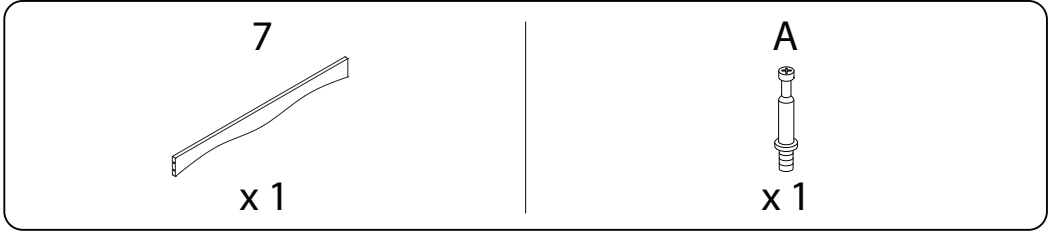


5

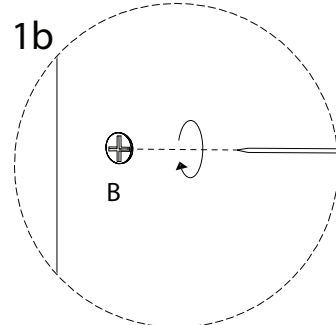
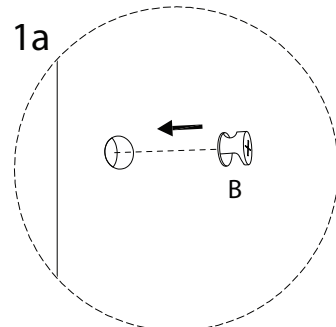
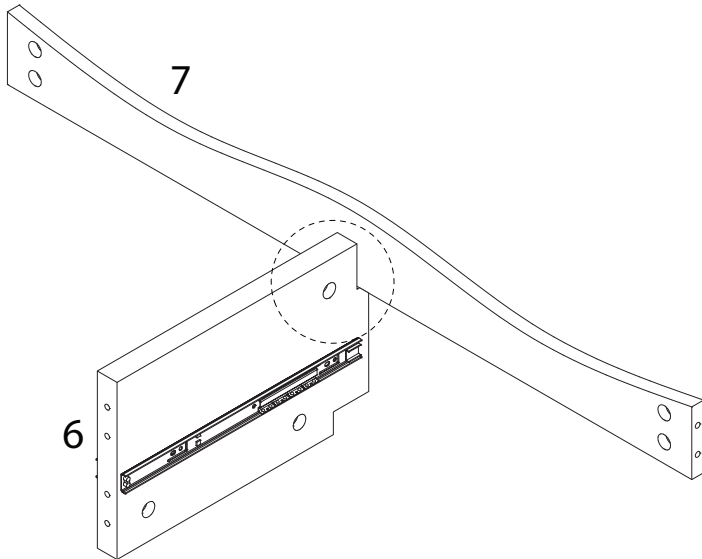
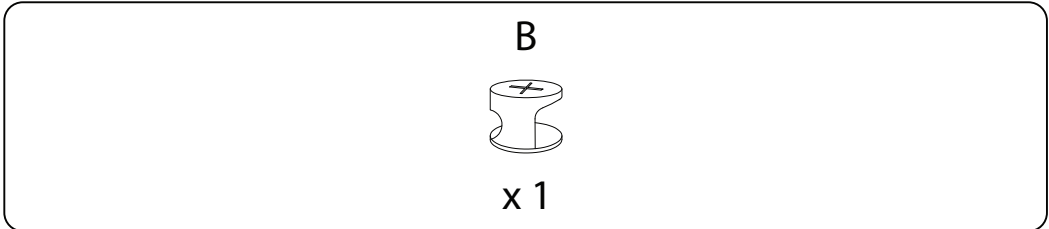




6

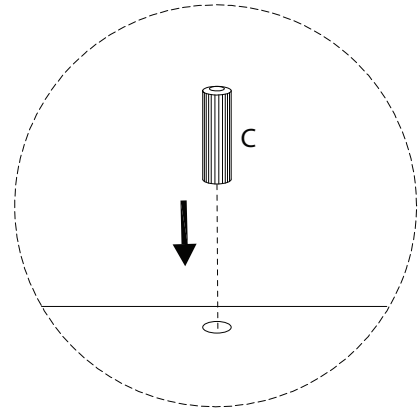
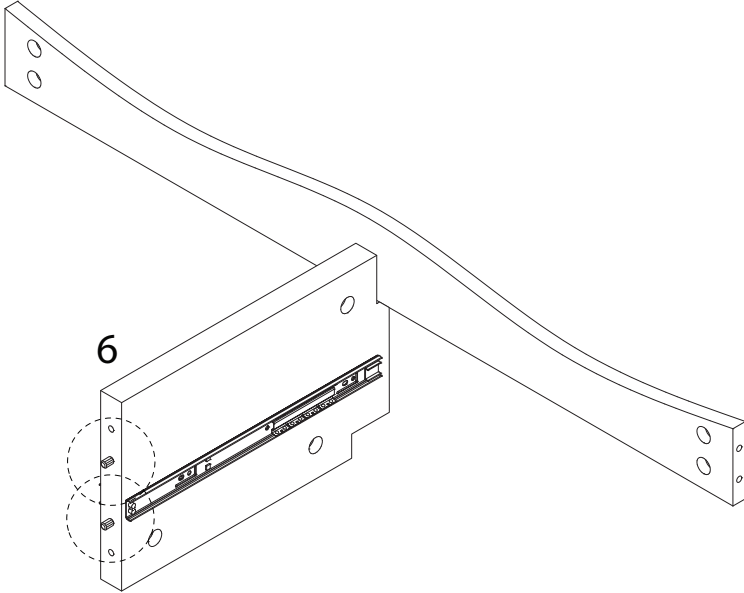


7



8

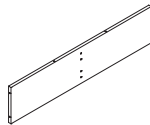
C  
x 2



9

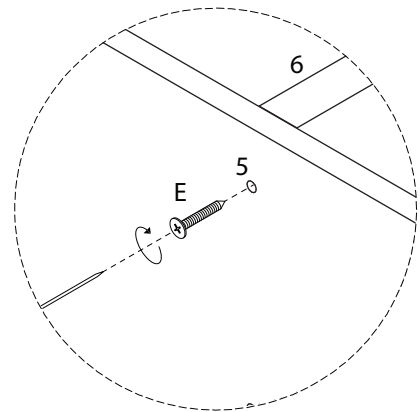
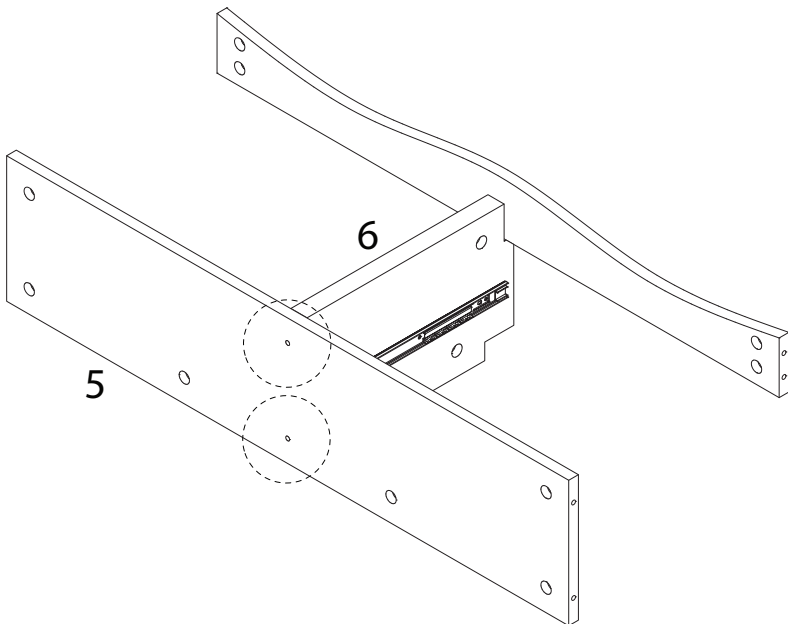
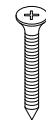
5

x 1



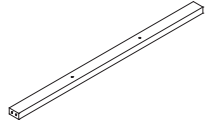
E

M4  
x  
35  
x 2



10

4

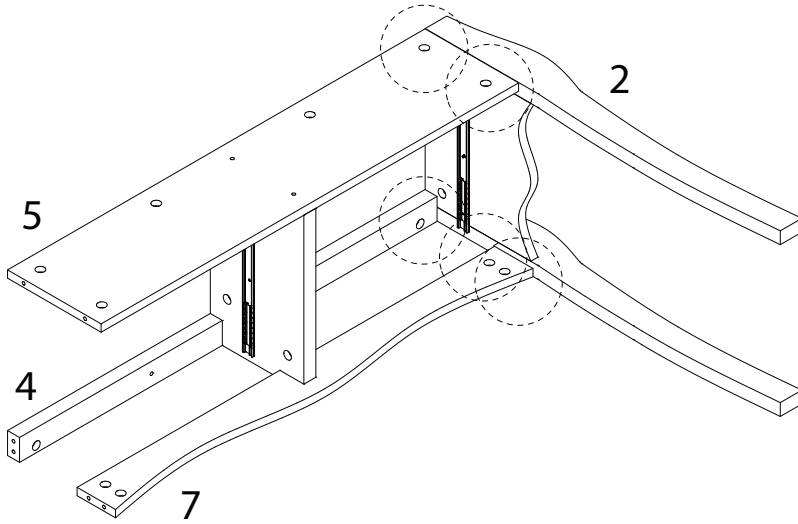


x 1

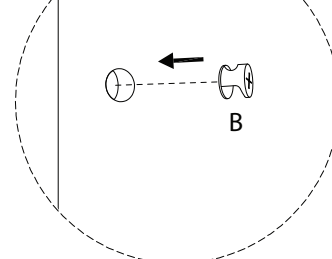
B



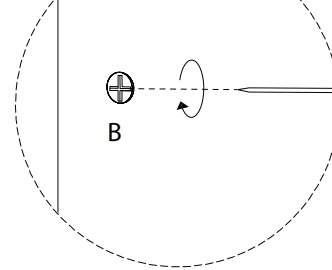
x 5



1a



1b

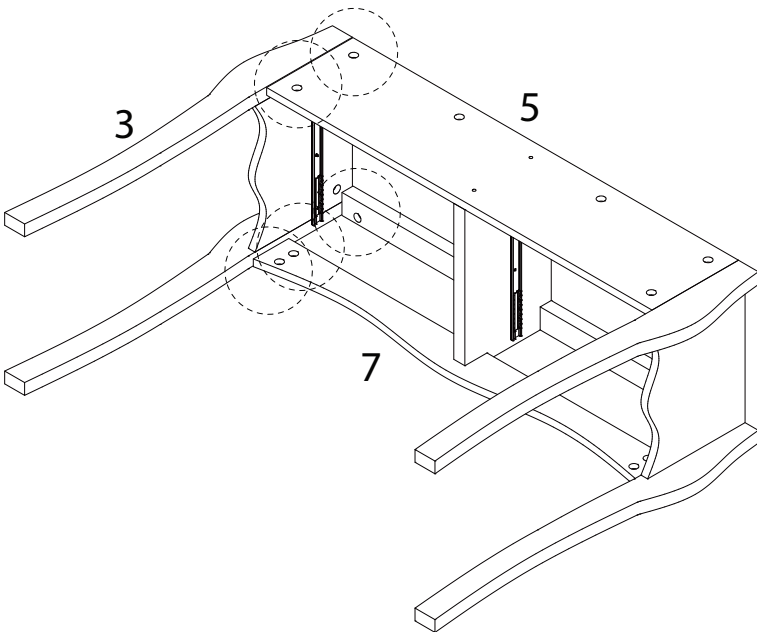


11

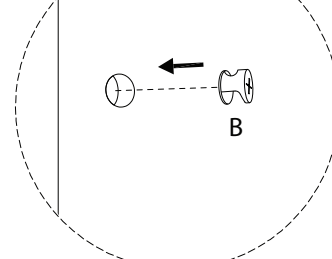
B



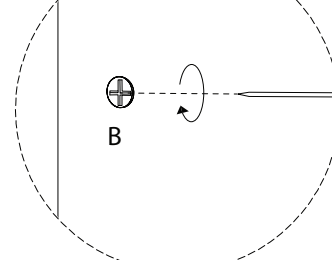
x 5



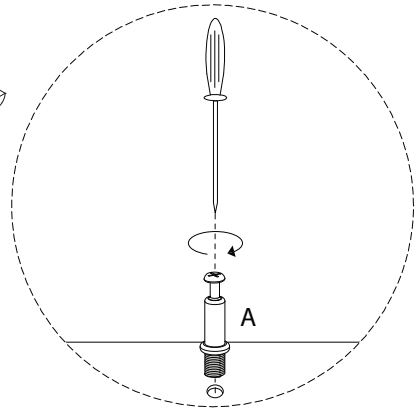
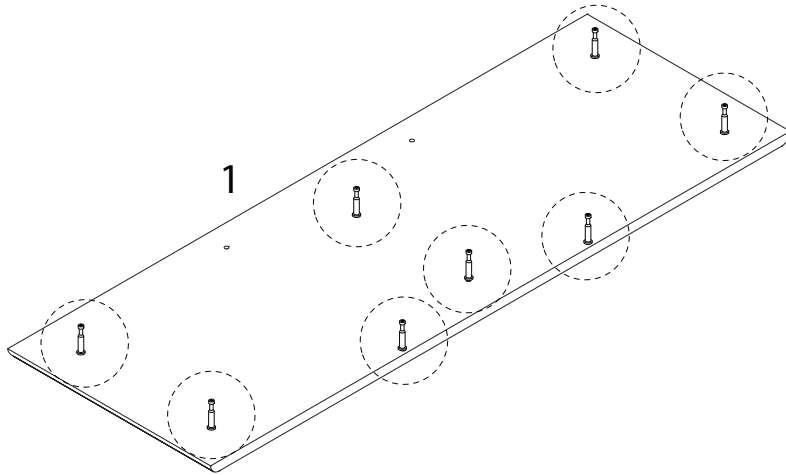
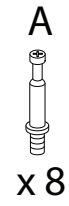
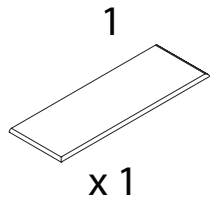
1a



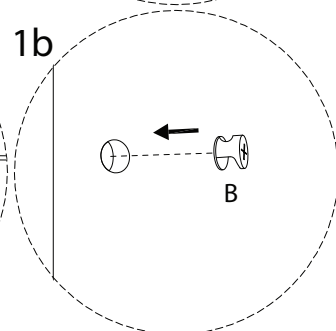
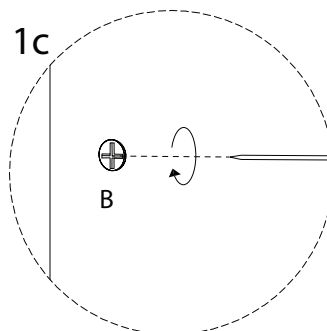
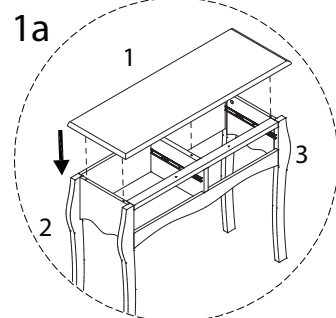
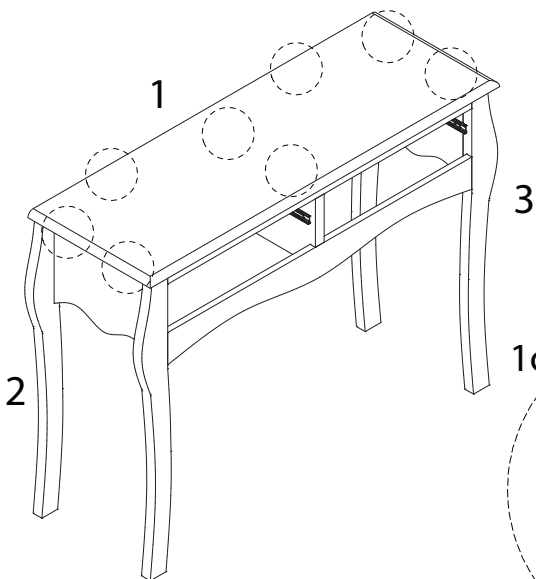
1b



12

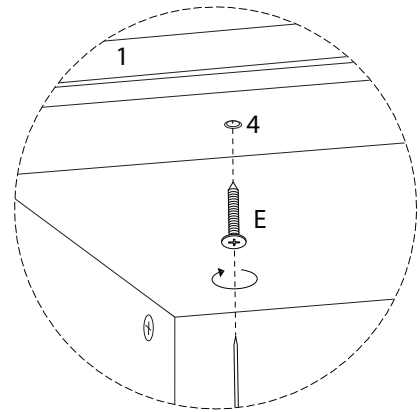
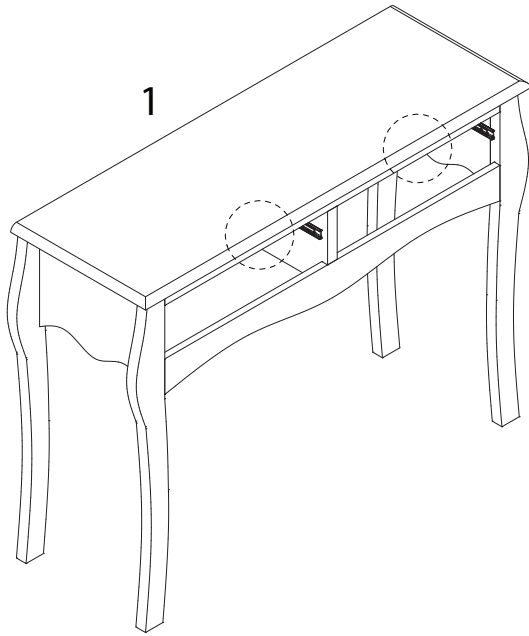


13

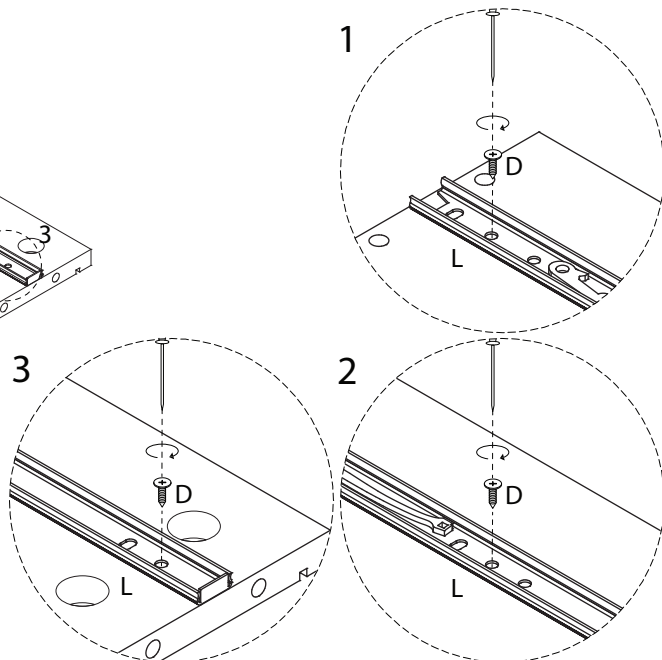
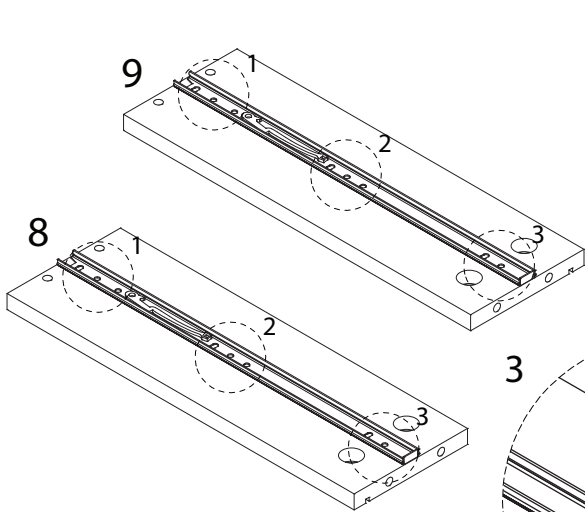
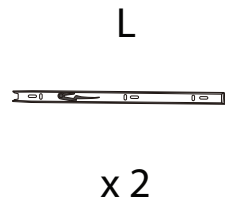
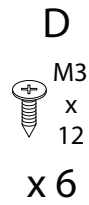
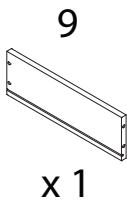
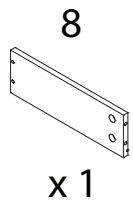


14

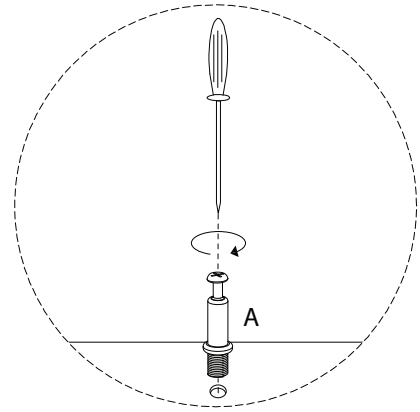
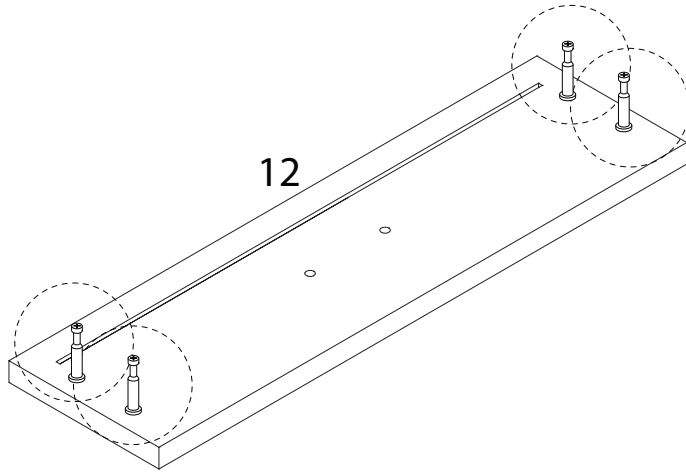
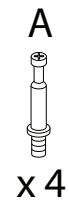
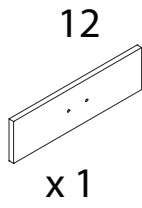
E  
M4  
x  
35  
x 2



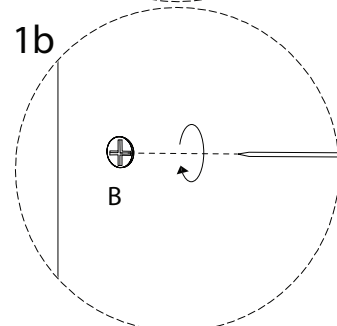
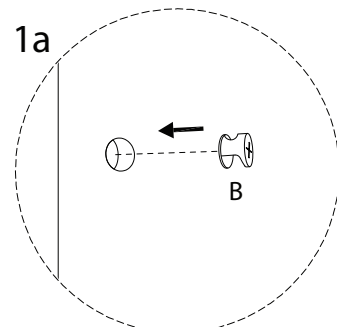
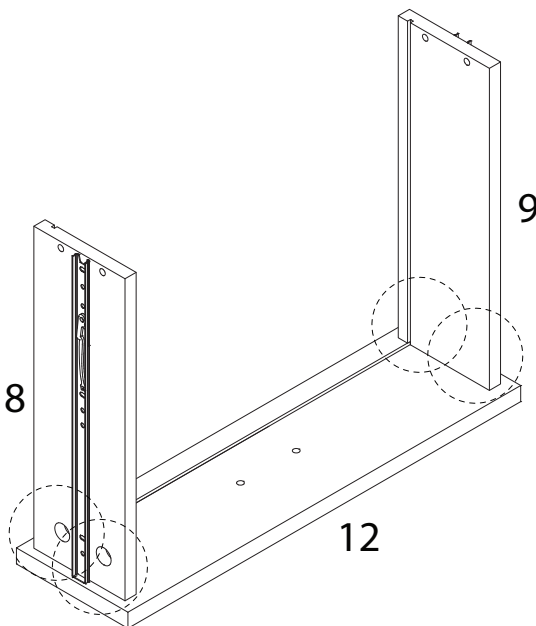
15 x 2



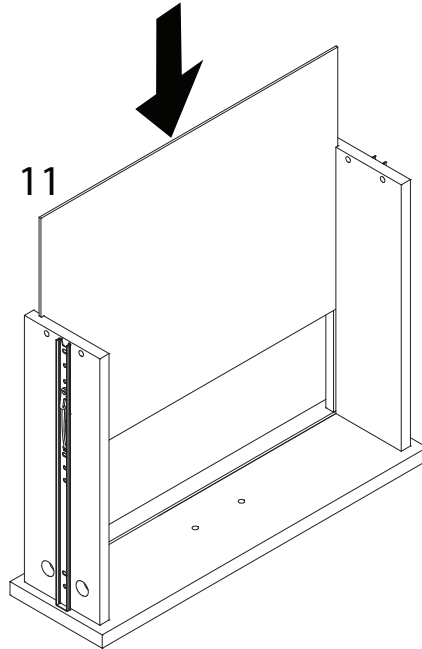
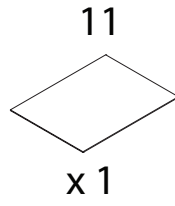
16 x 2



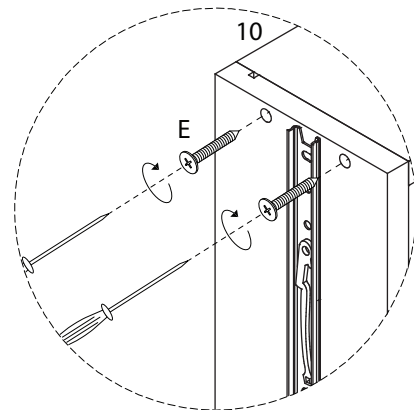
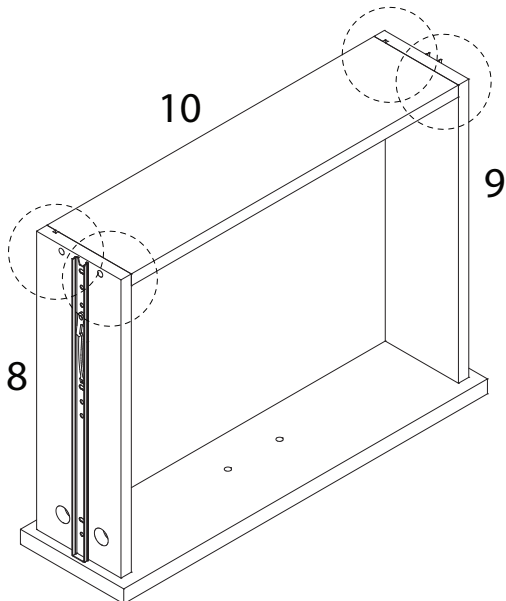
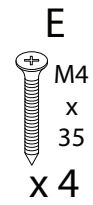
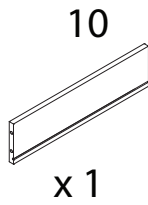
17 x 2



18 x 2



19 x 2



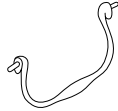
20 x 2

F1



x 2

F2

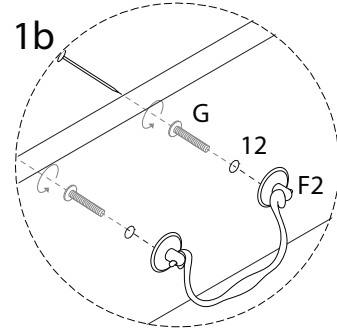
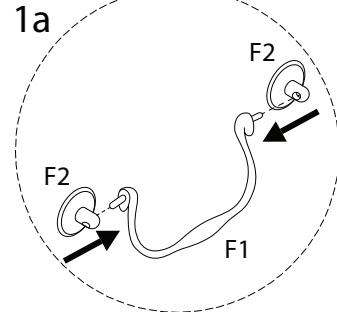
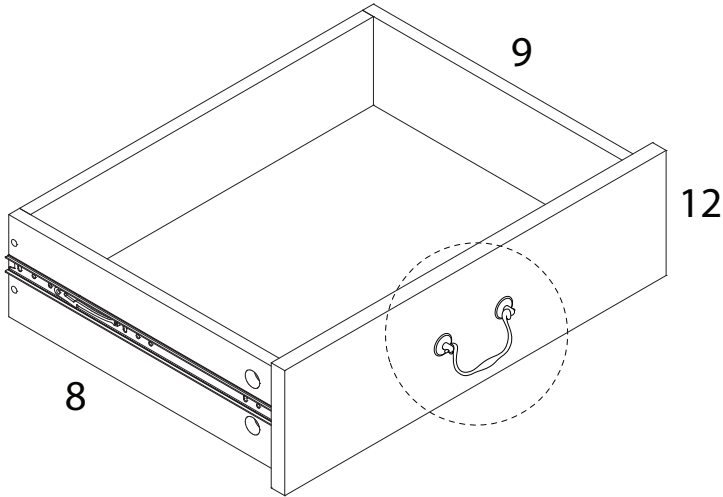


x 1

G



x 2



21

H

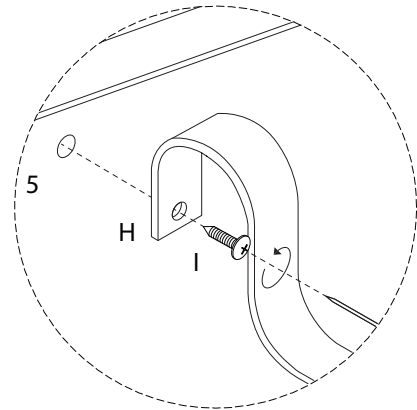
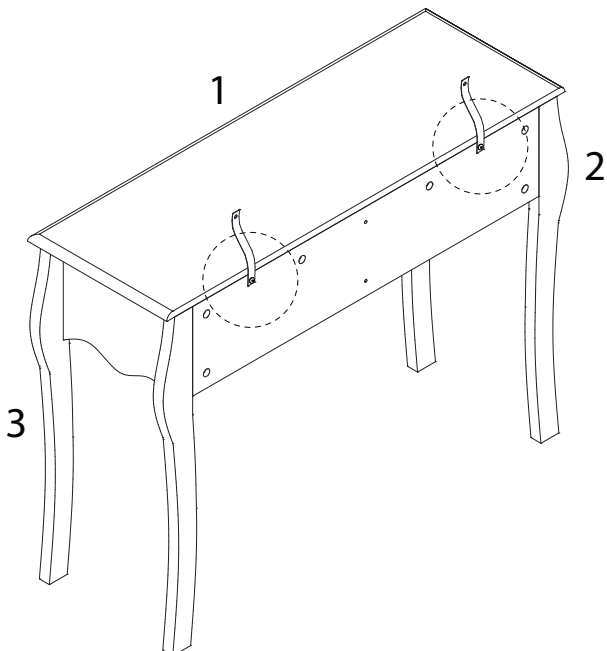


x 2

I

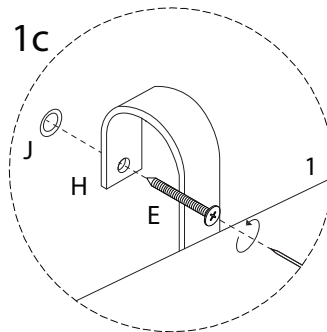
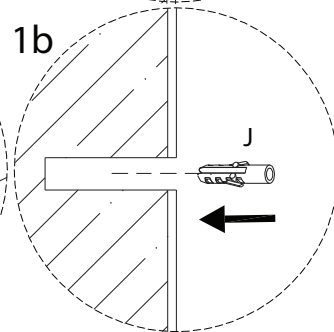
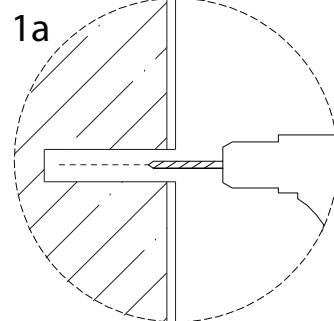
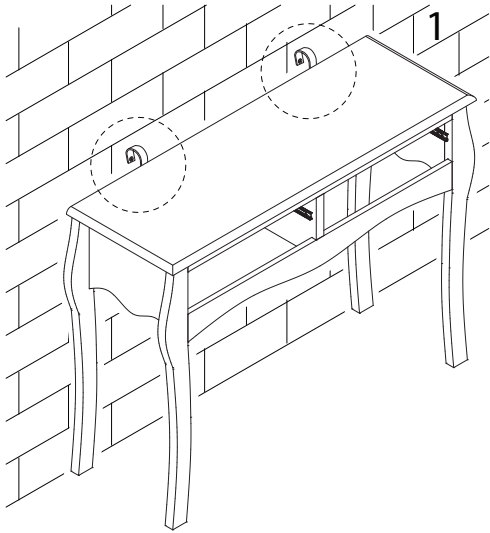
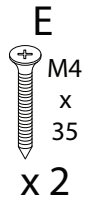


x 2





22



23

