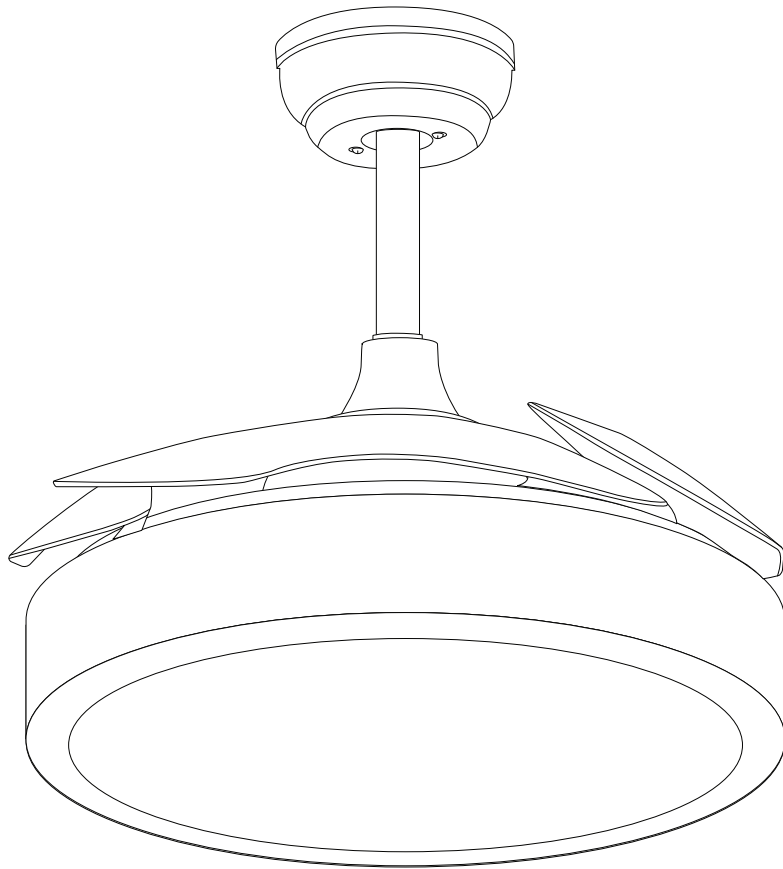
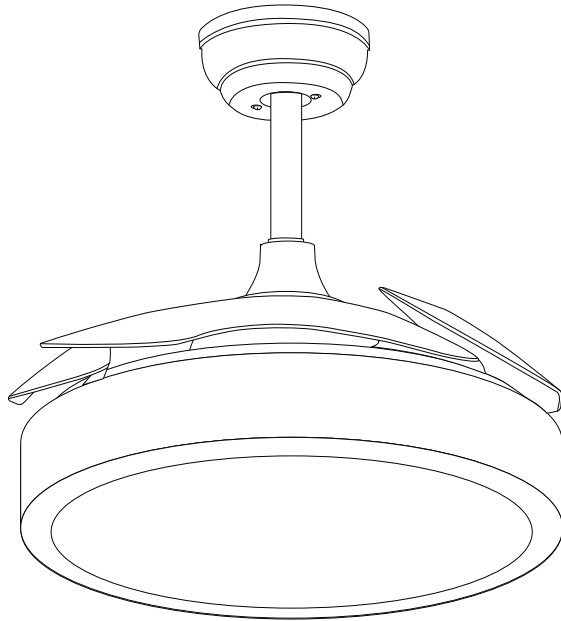
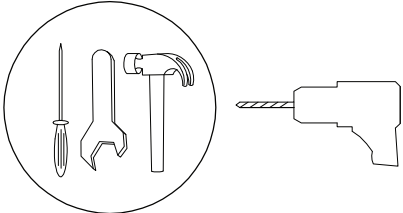

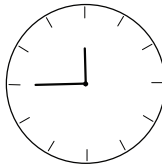
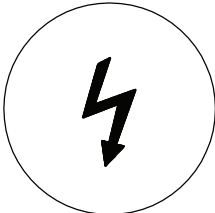

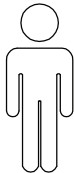
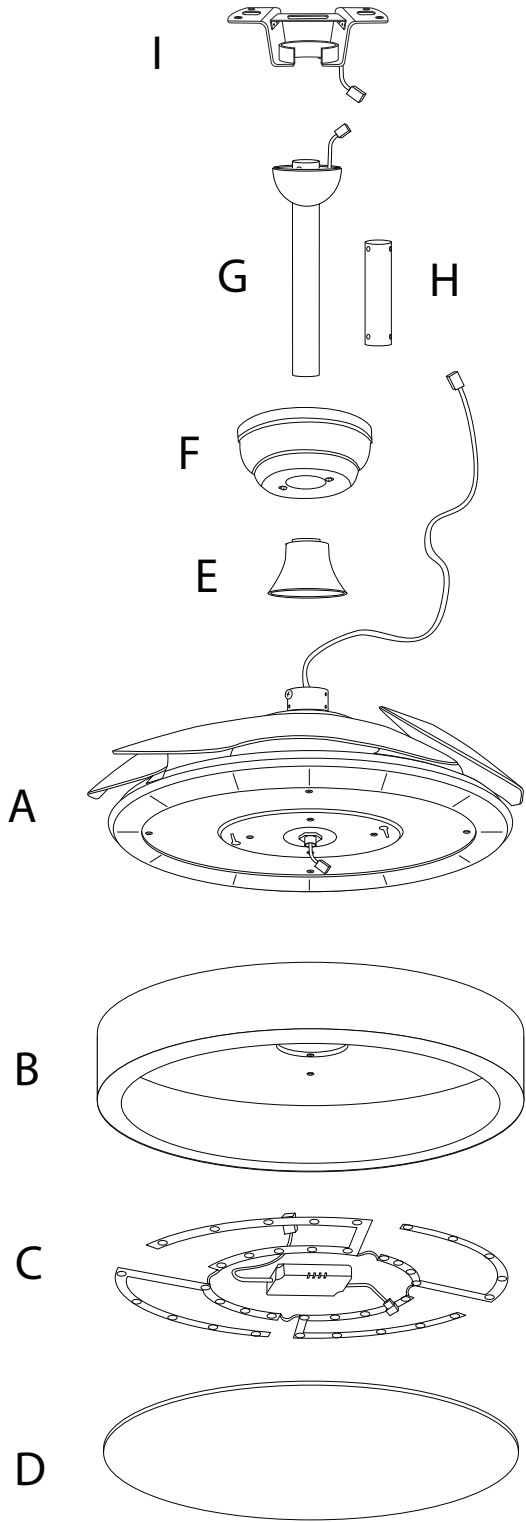


FREMONT





		
		45'
		
		2



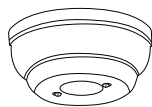
<p>A</p> <p>x 1</p>	<p>B</p> <p>x 1</p>	<p>C</p> <p>x 1</p>	<p>D</p> <p>x 1</p>
-----------------------------------	-----------------------------------	-----------------------------------	-----------------------------------

E



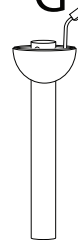
x 1

F



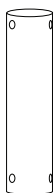
x 1

G



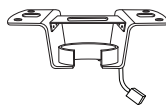
x 1

H



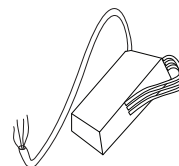
x 1

I



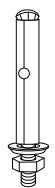
x 1

J



x 1

K



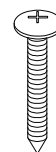
x 2

L



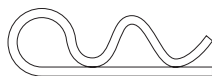
x 4

M



x 4

N



x 1

O

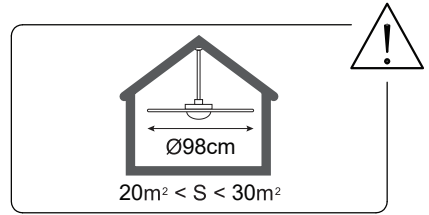
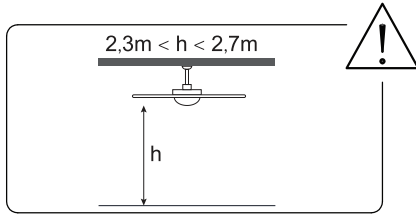
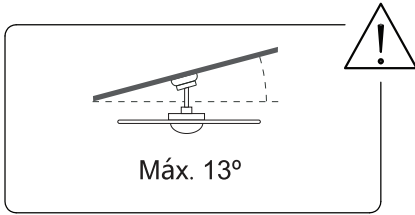
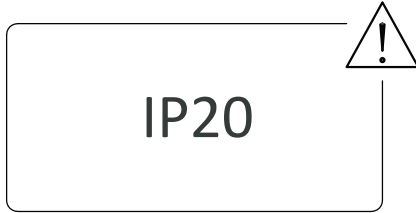
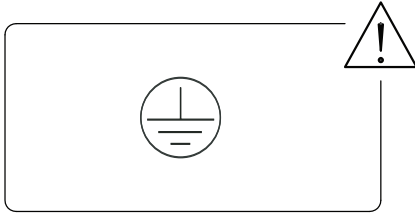
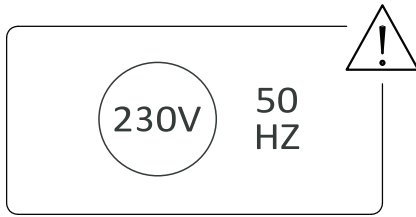


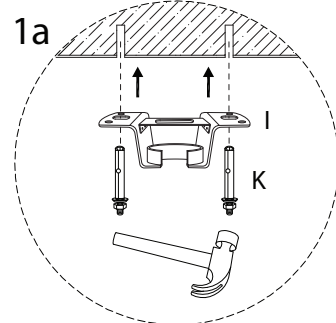
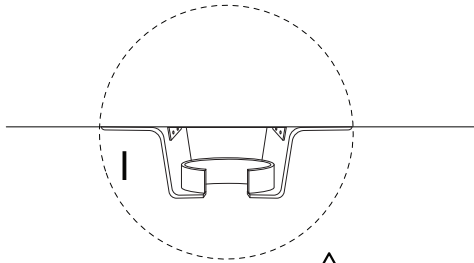
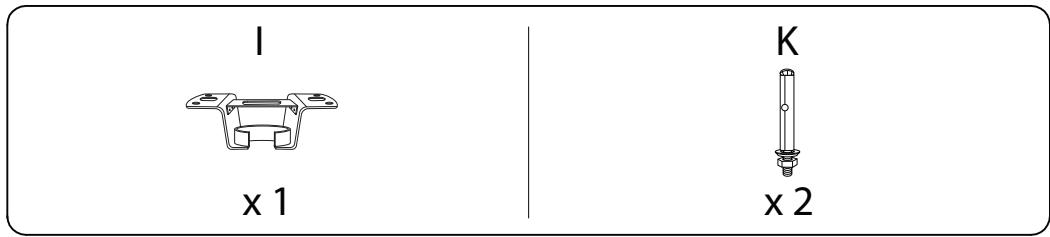
x 1

P

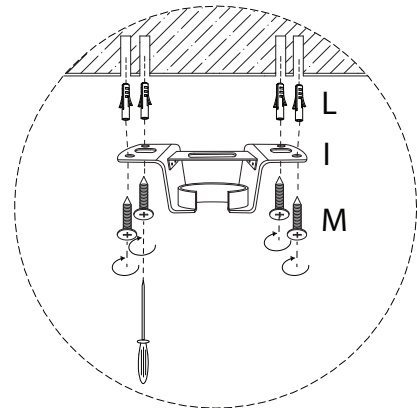
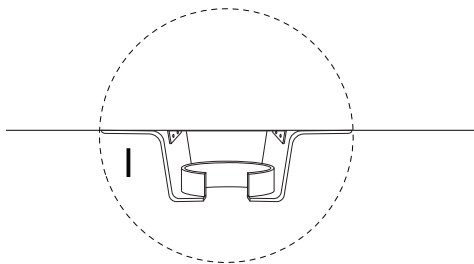
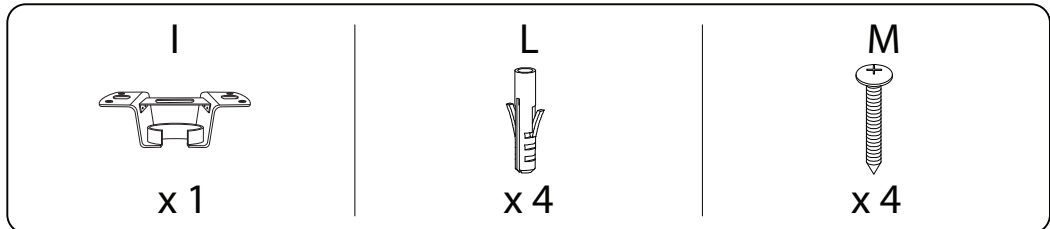
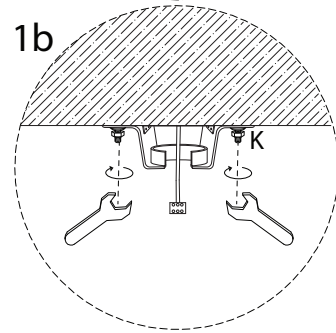
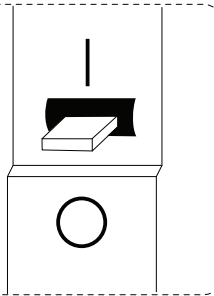


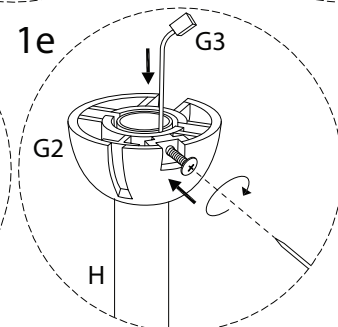
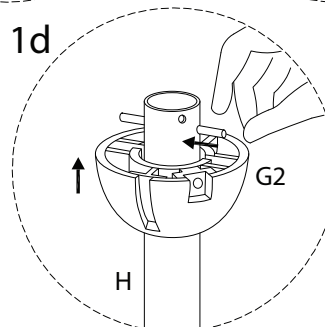
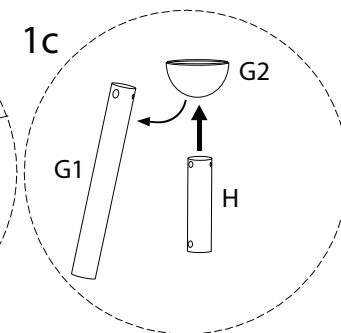
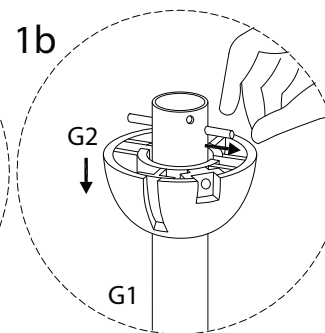
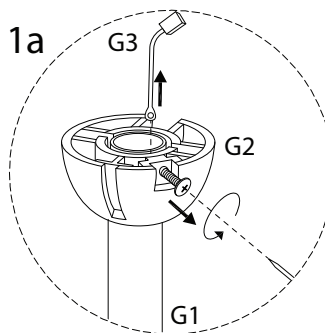
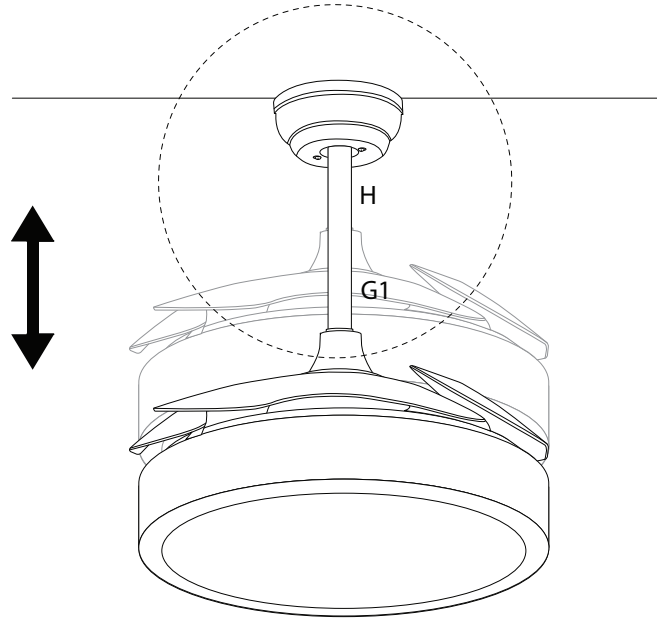
x 1





OFF





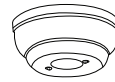
1

E

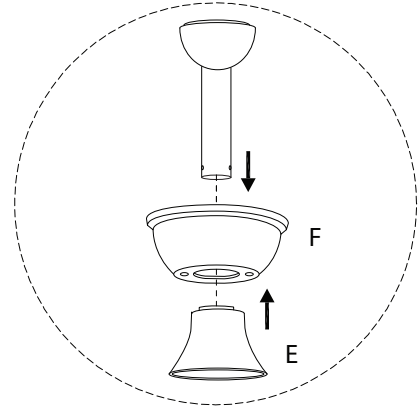
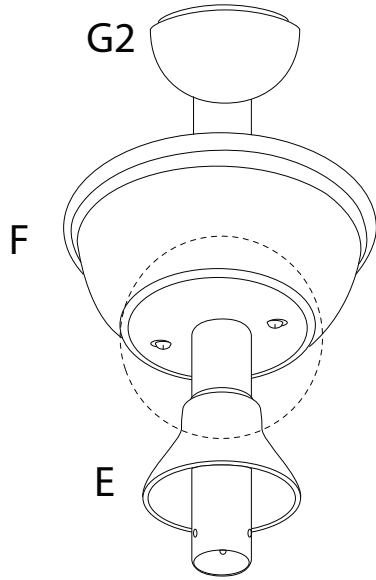


x 1

F

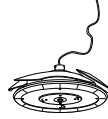


x 1

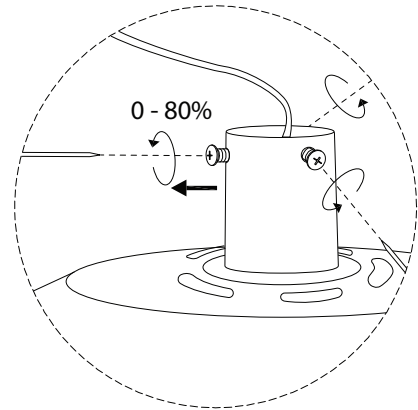
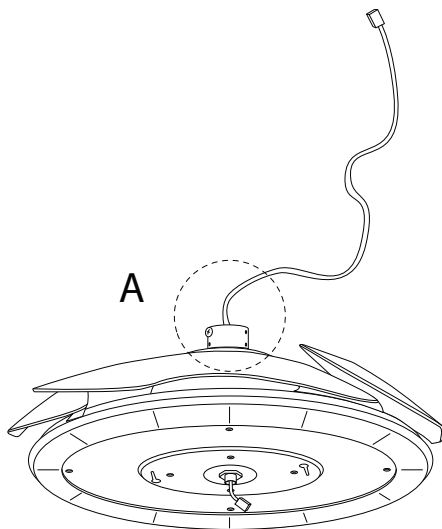


2

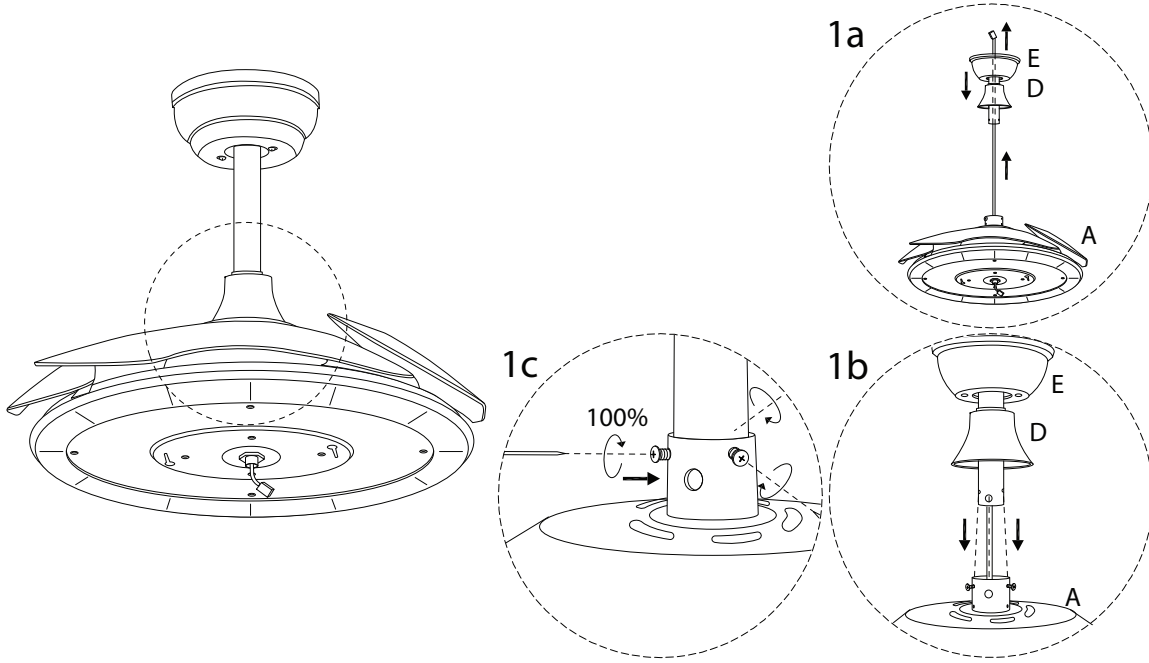
A



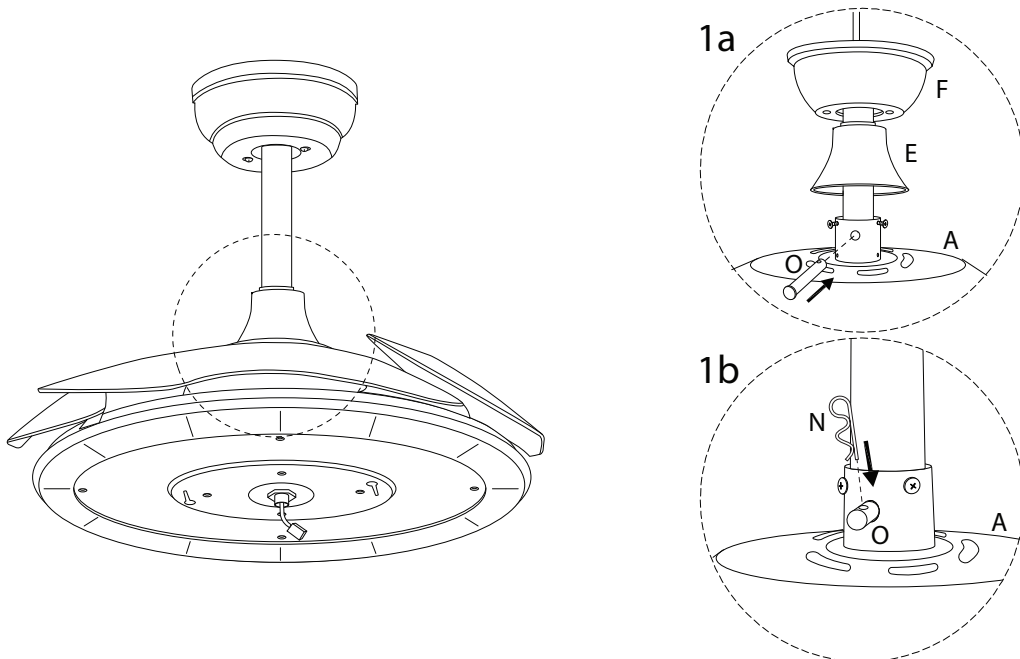
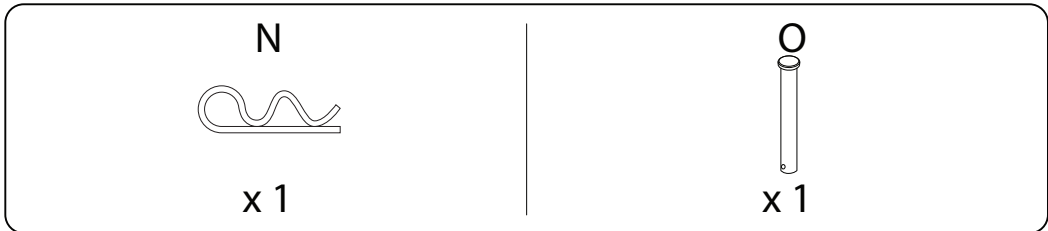
x 1



3

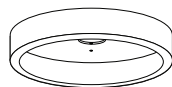


4

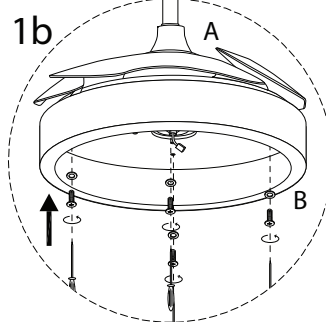
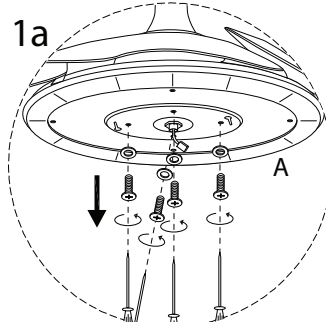
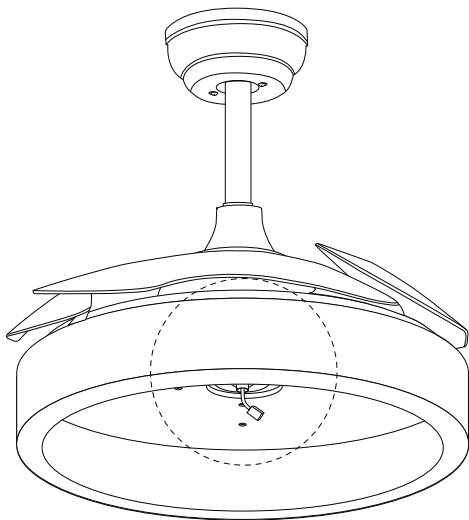


5

B

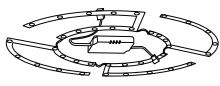


x 1



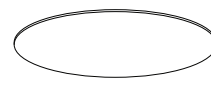
6

C

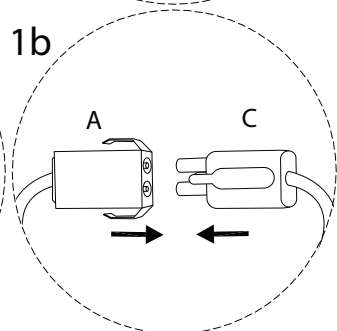
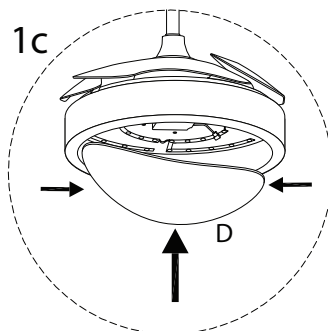
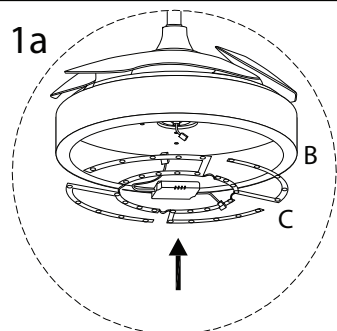
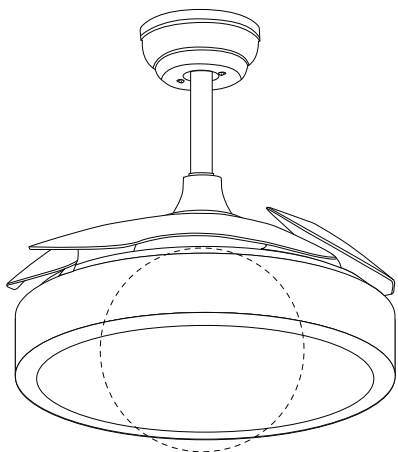


x 1

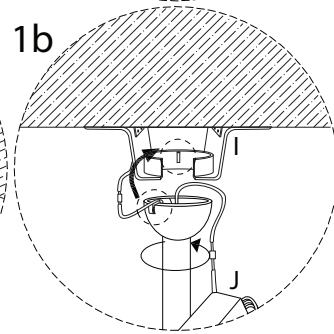
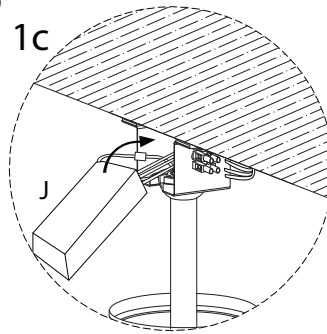
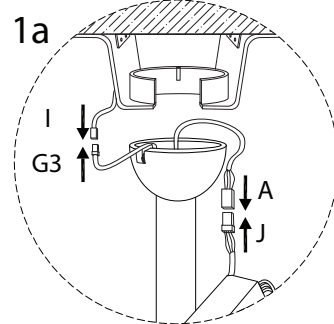
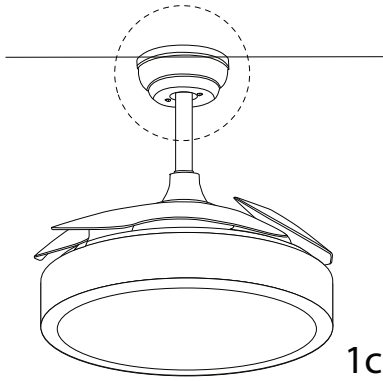
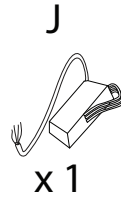
D



x 1



7



8

