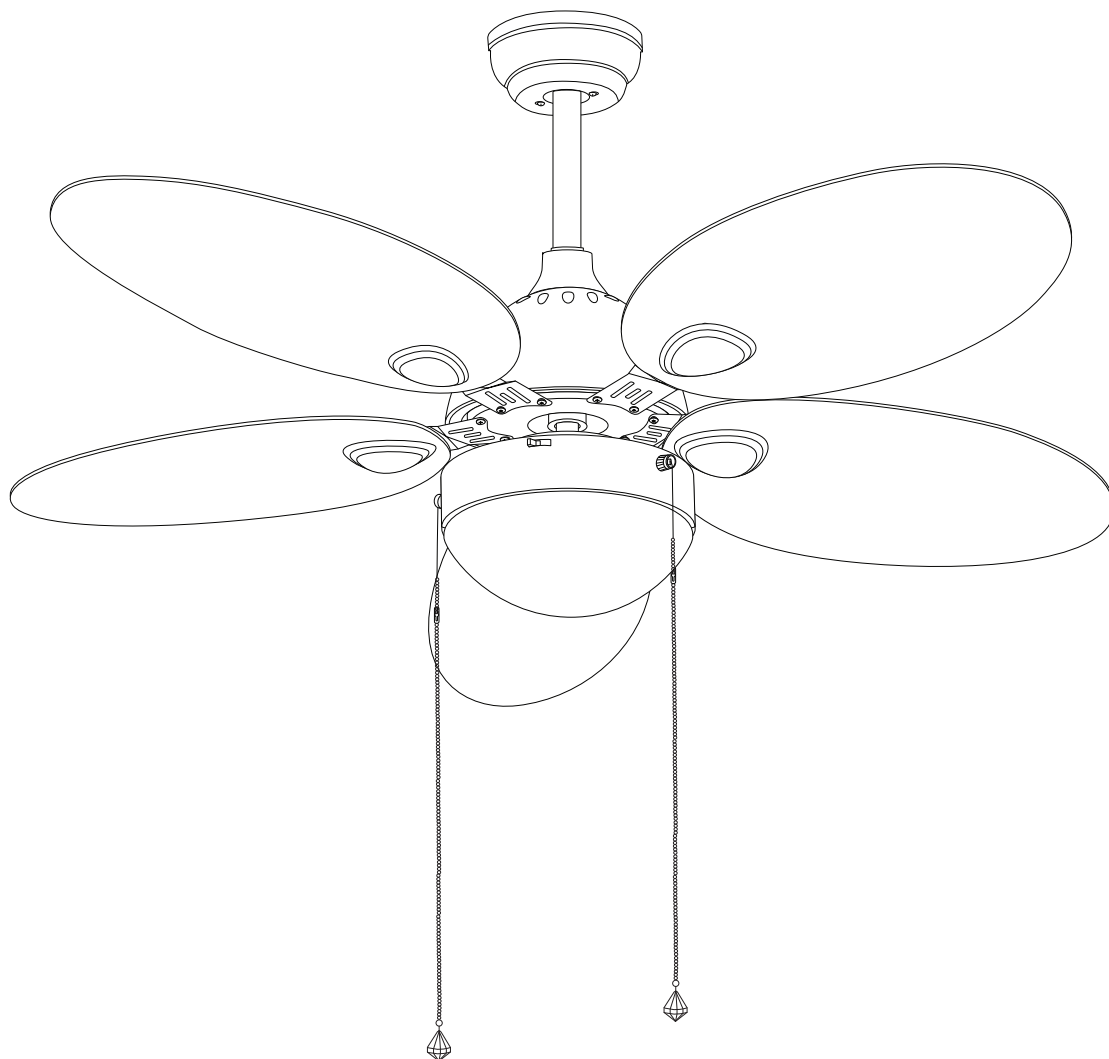
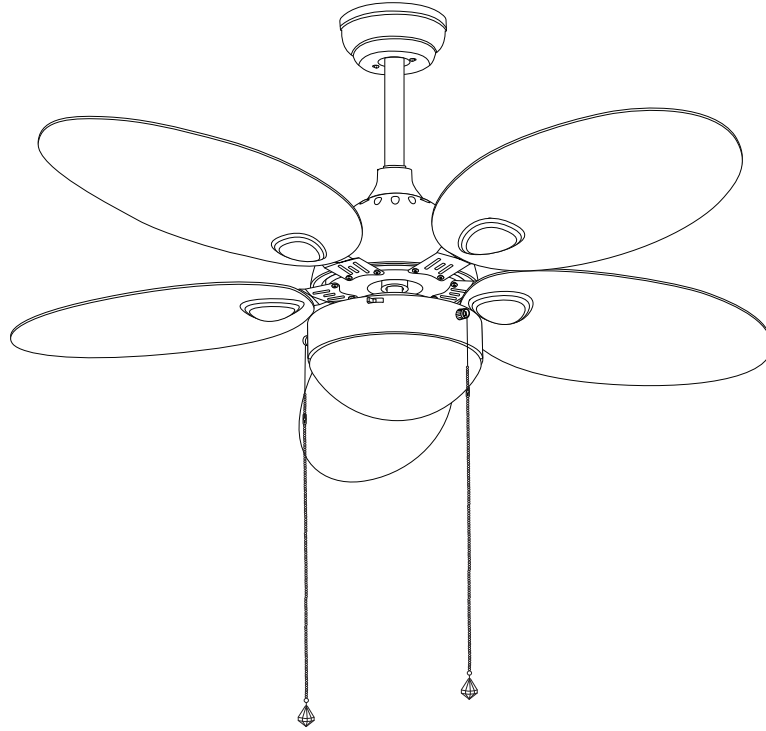
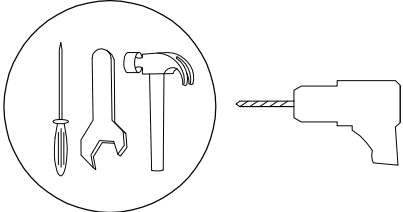

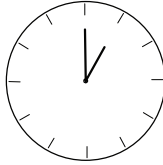
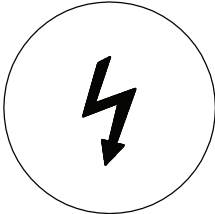


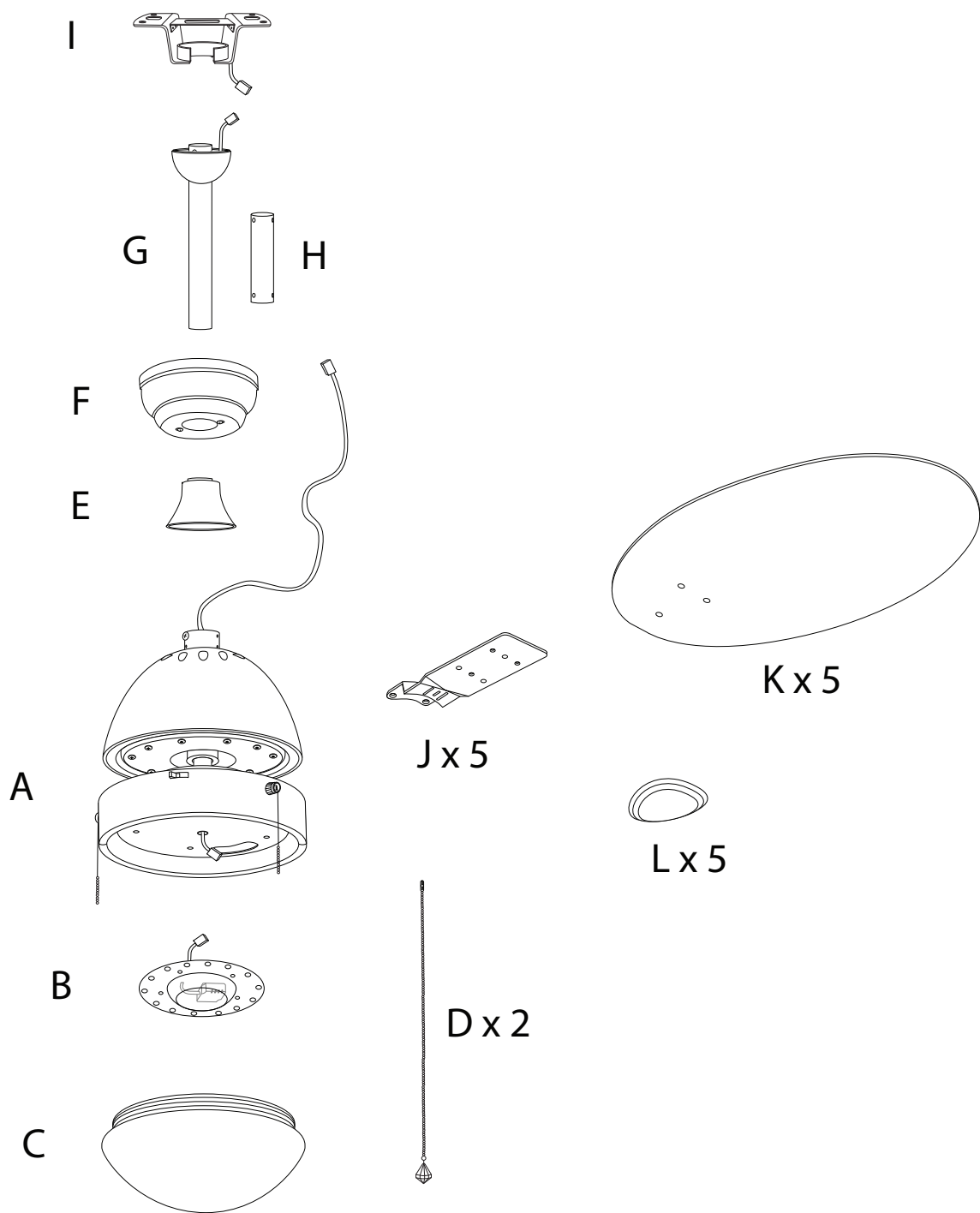



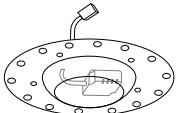
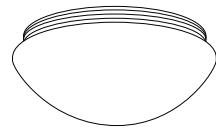

WEBER





		
		<p>60'</p>
		
		<p>2</p>



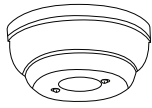
<p>A</p>  <p>x 1</p>	<p>B</p>  <p>x 1</p>	<p>C</p>  <p>x 1</p>	<p>D</p>  <p>x 2</p>
---	---	--	---

E



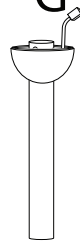
x 1

F



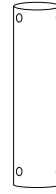
x 1

G



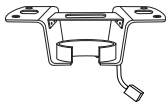
x 1

H



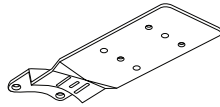
x 1

I



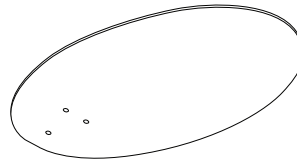
x 1

J



x 5

K



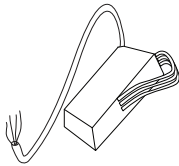
x 5

L



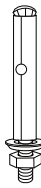
x 5

M



x 1

N



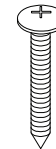
x 2

O



x 4

P



x 4

Q



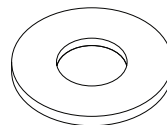
x 1

R



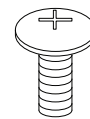
x 1

S

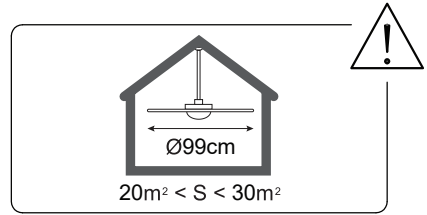
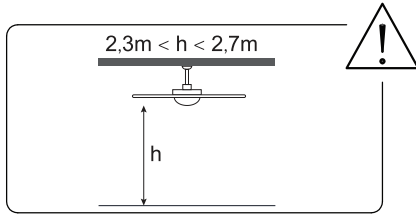
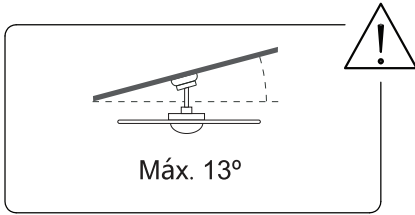
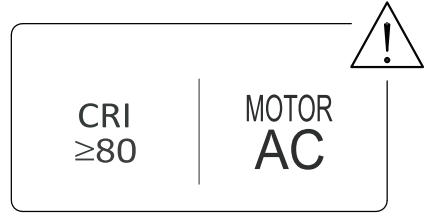
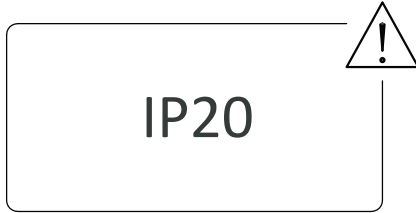
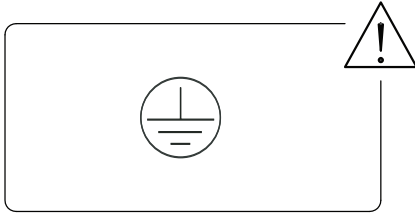
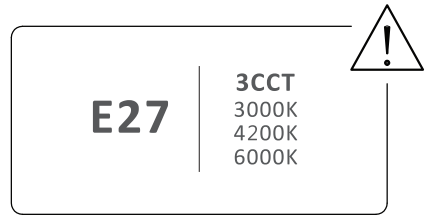
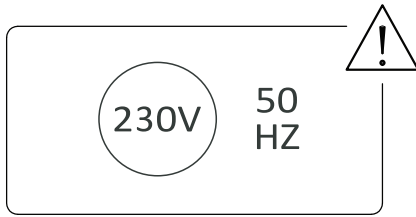


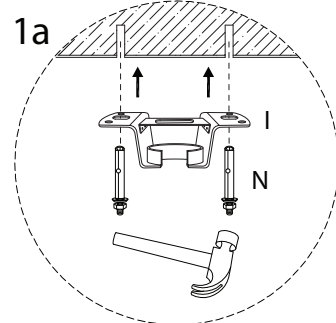
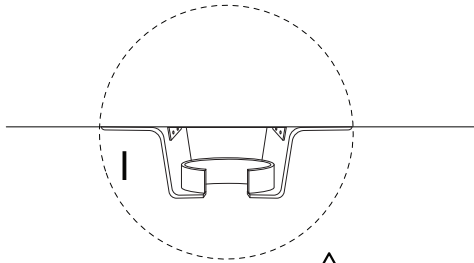
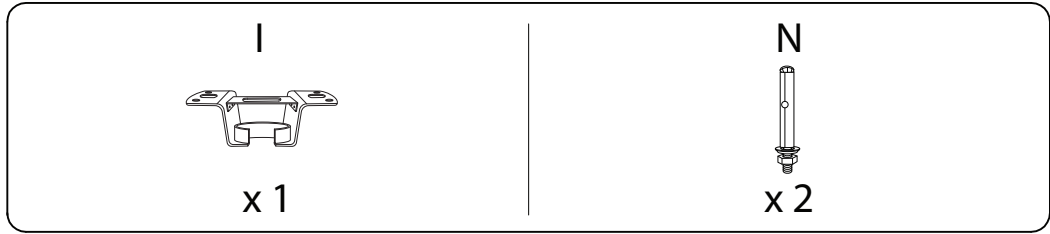
x 15

T

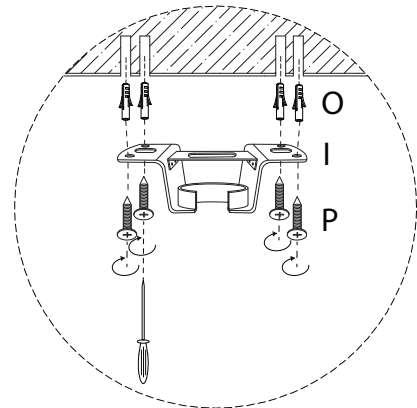
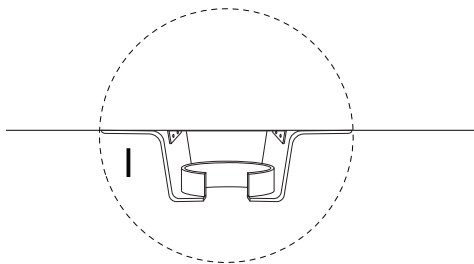
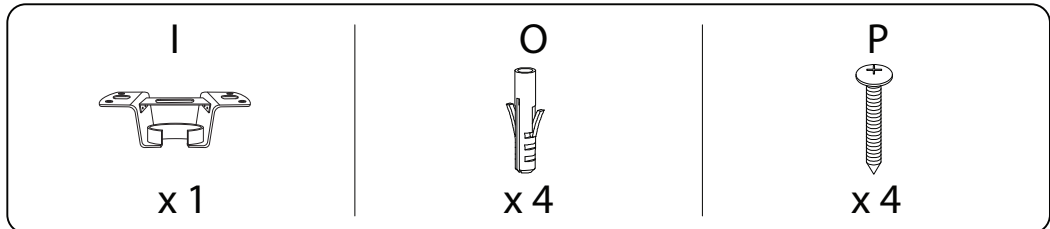
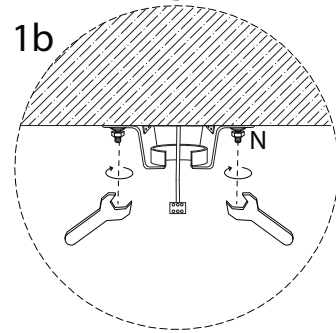
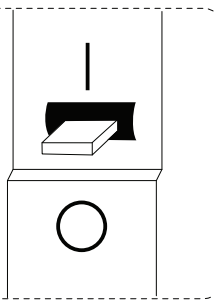


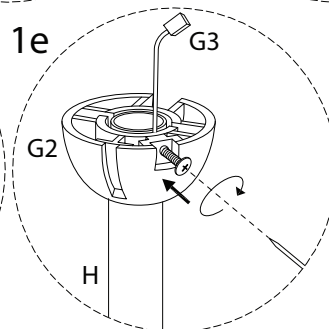
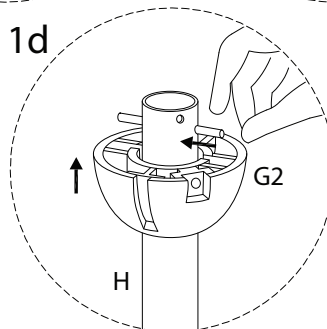
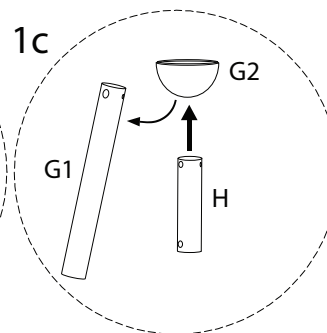
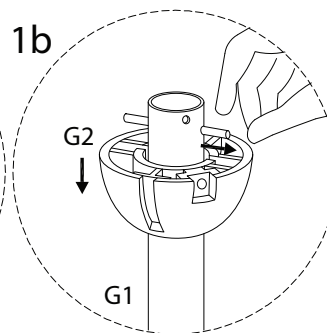
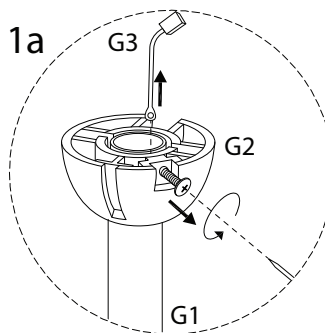
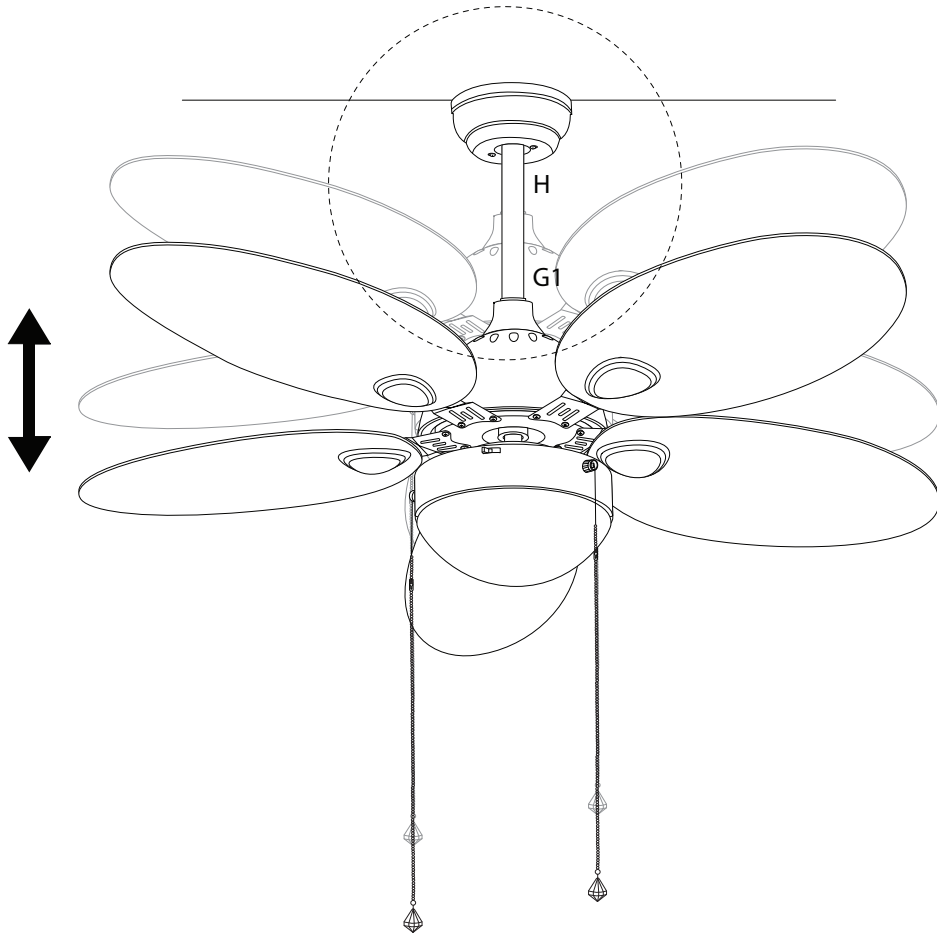
x 15





OFF





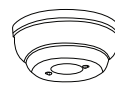
1

E

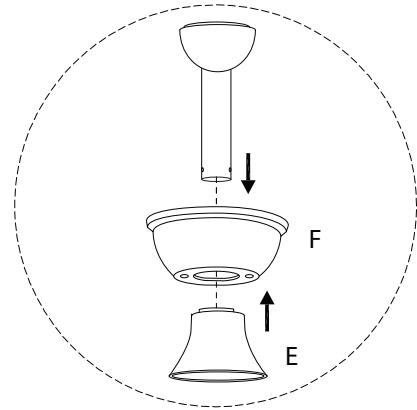
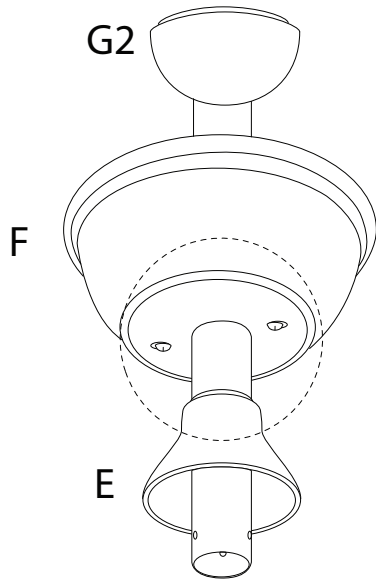


x 1

F



x 1

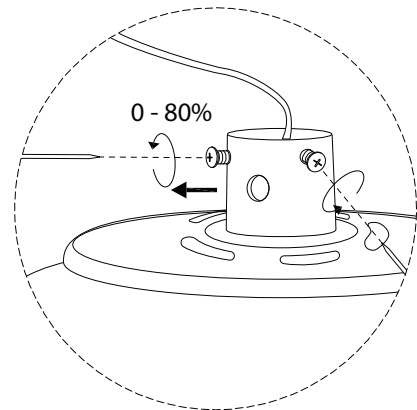
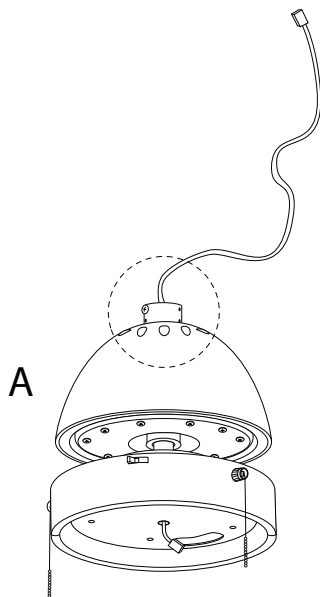


2

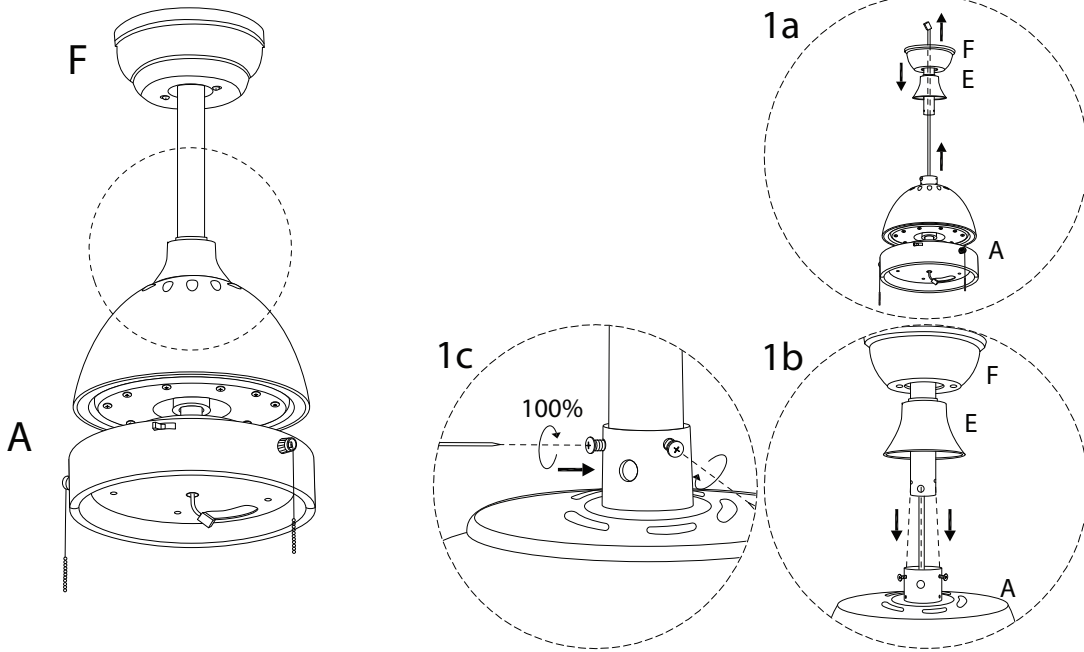
A



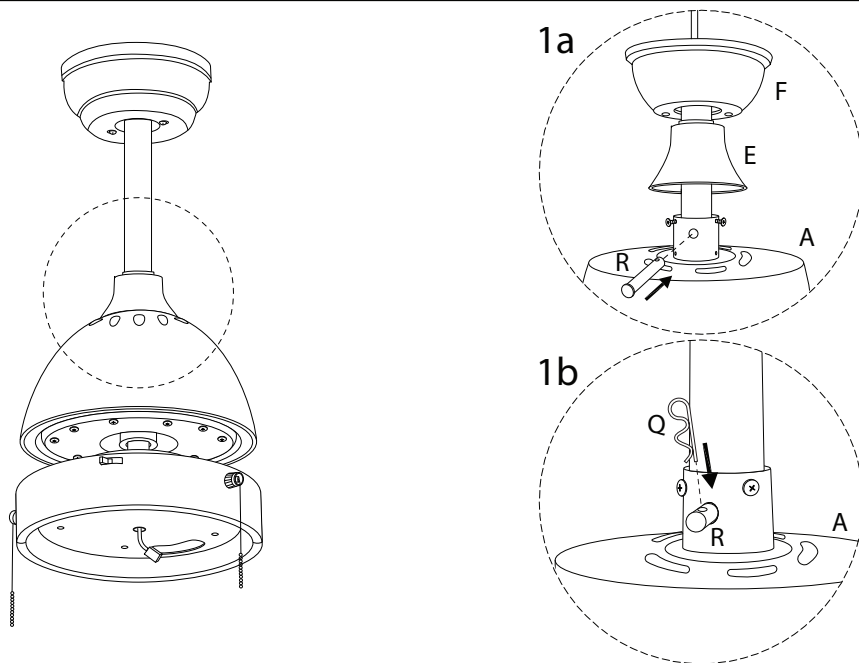
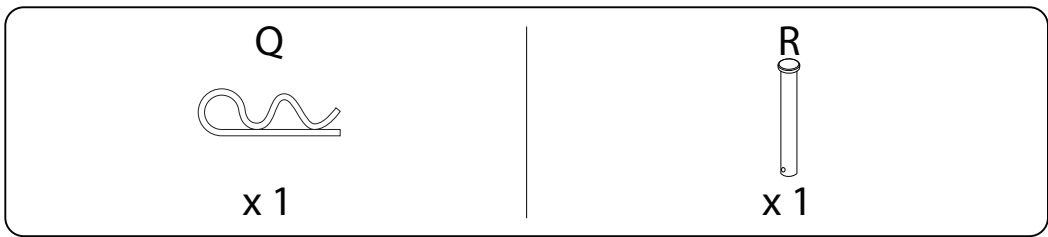
x 1



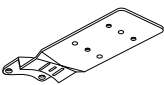



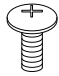
3

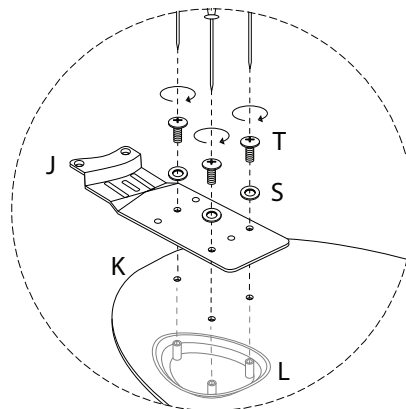
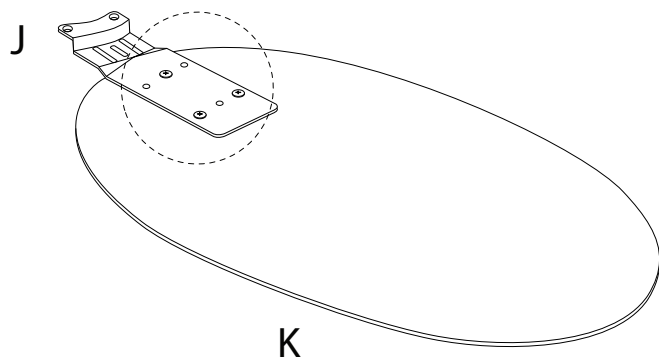


4

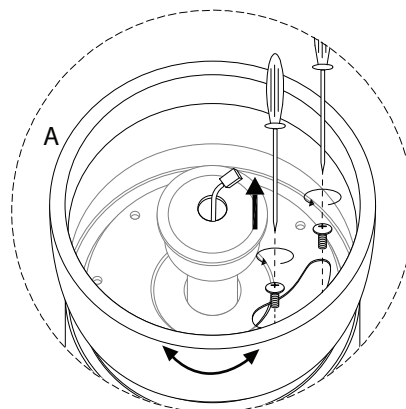
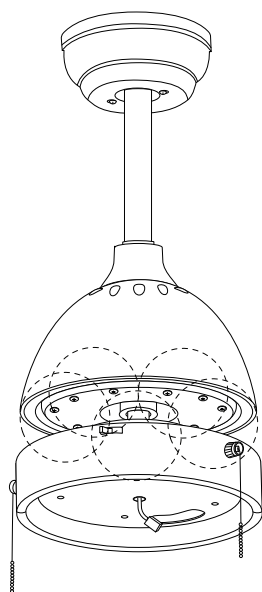


5 x 5

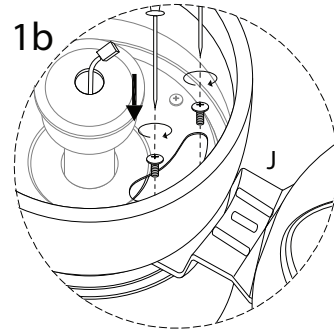
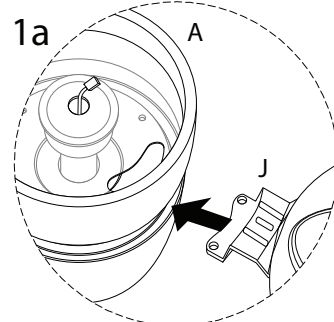
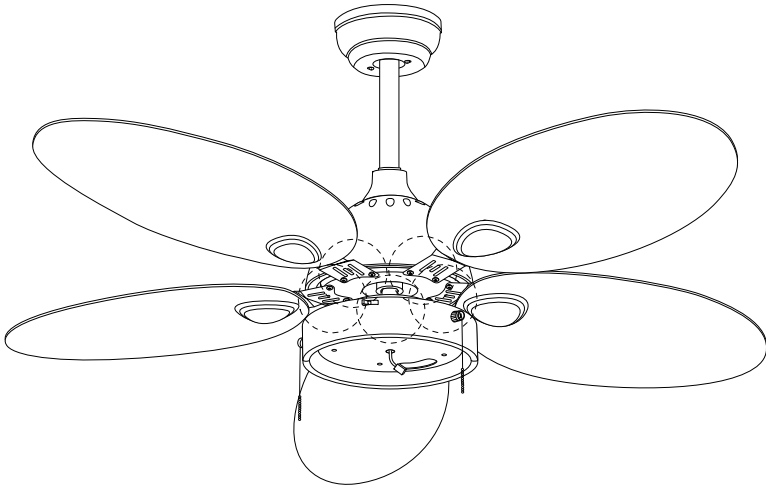
J	K	L	S	T
				
x 1	x 1	x 1	x 3	x 3



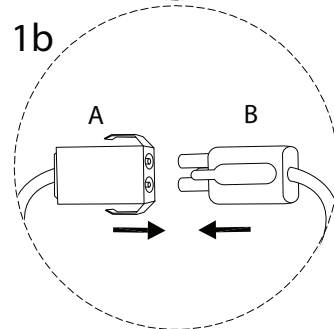
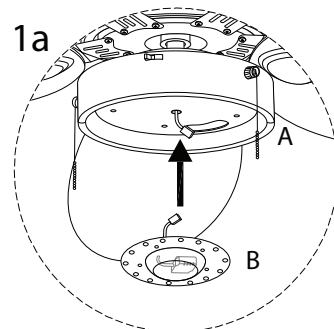
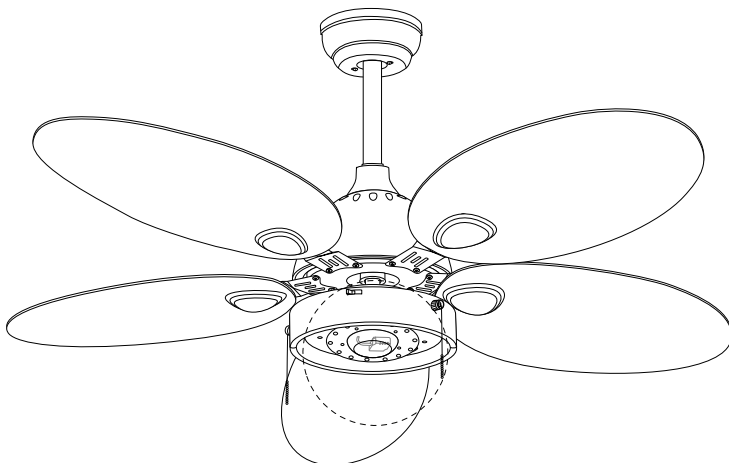
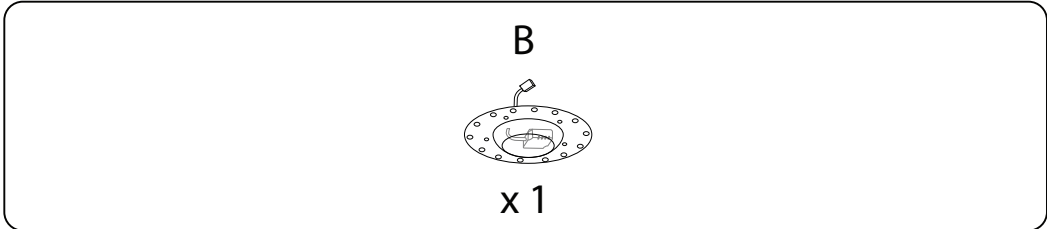
6



7



8

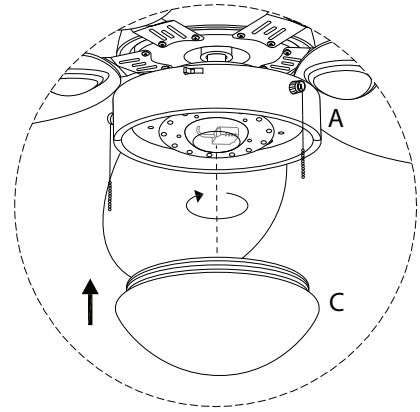
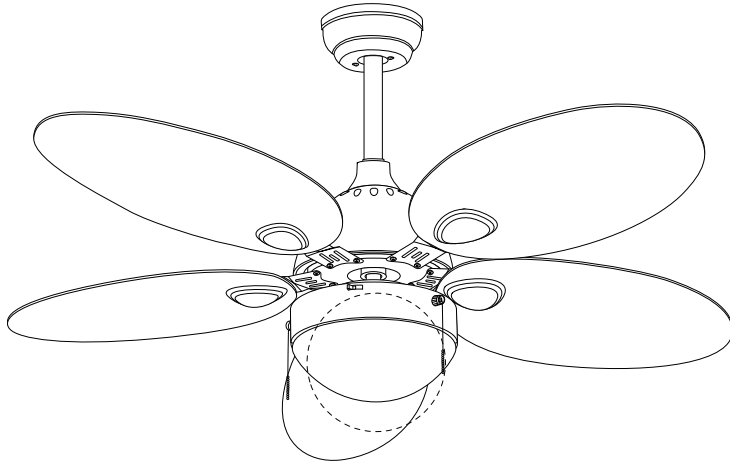


9

C

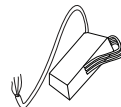


x 1

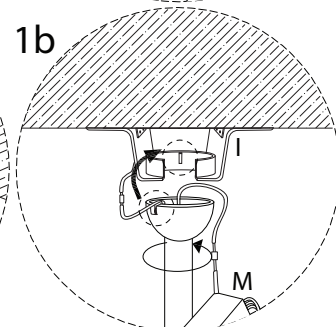
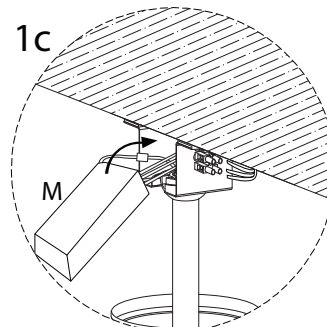
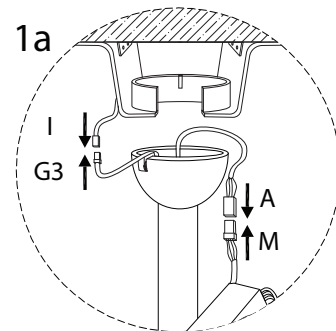
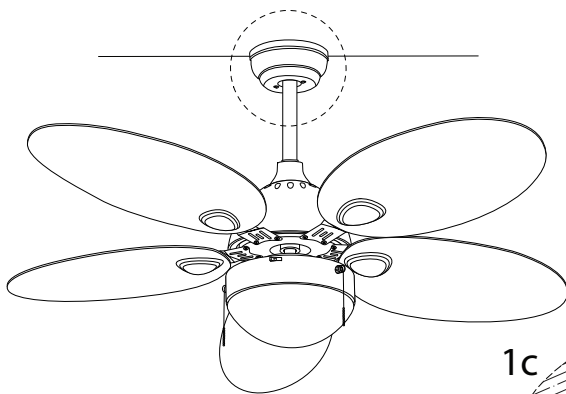


10

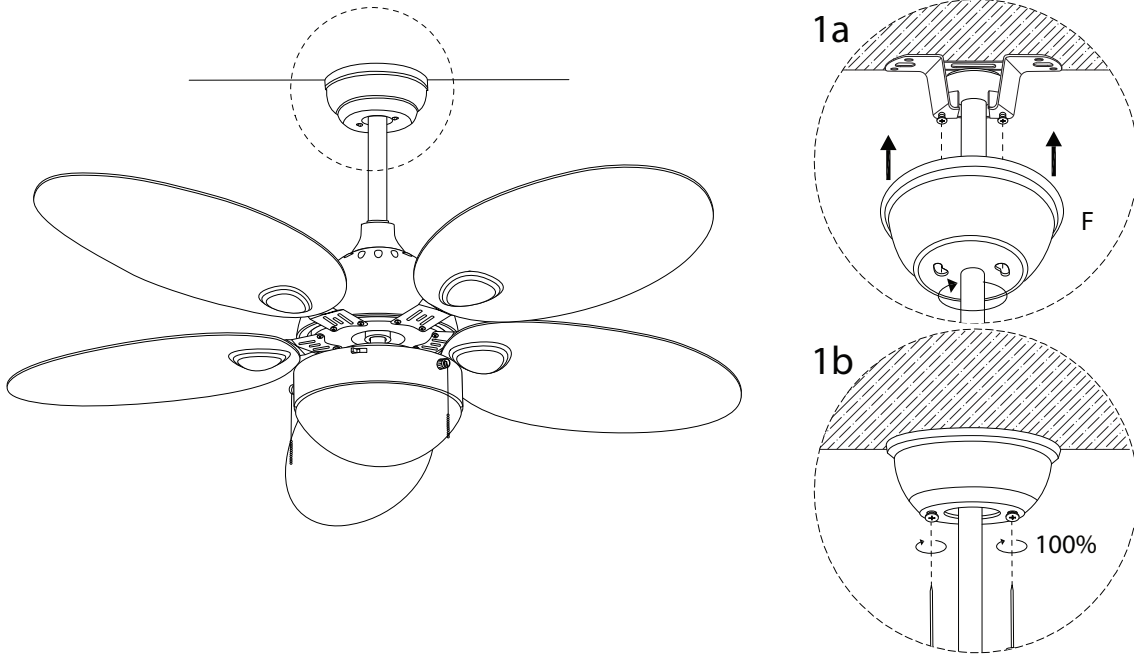
M



x 1



11



12

