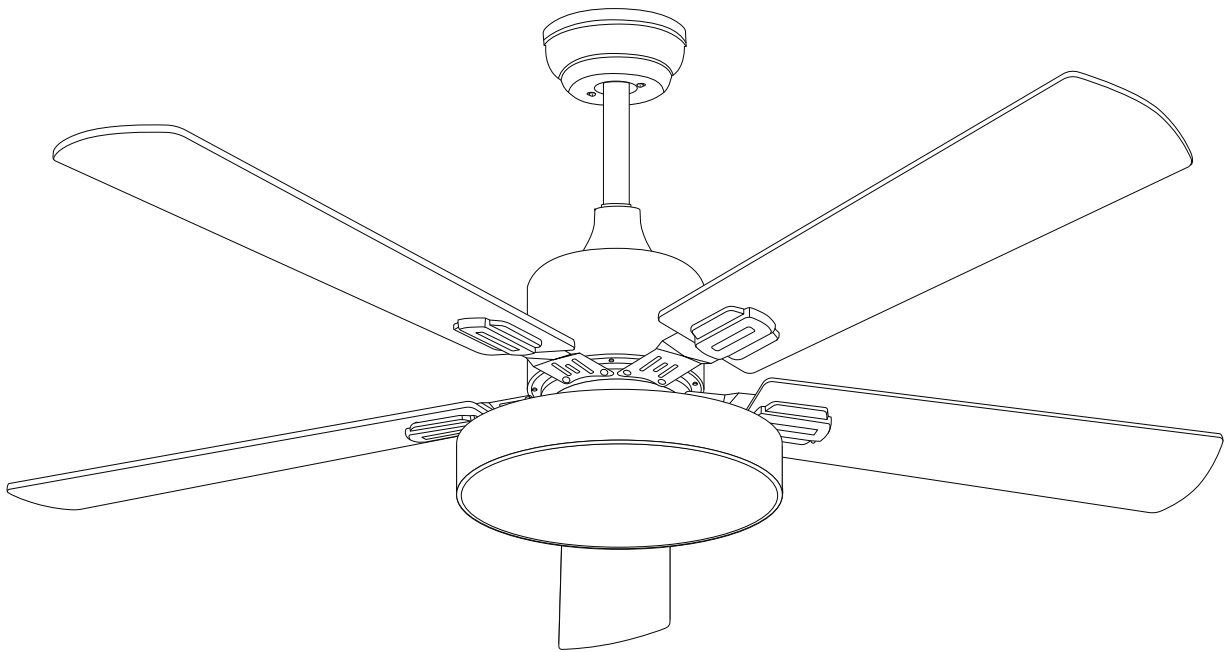
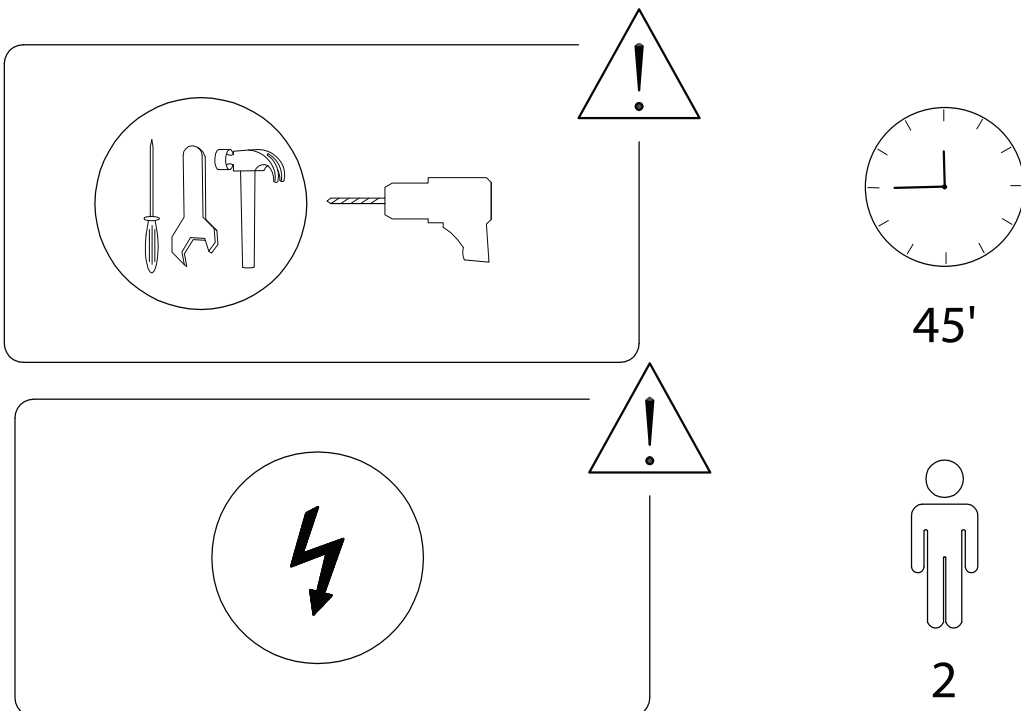
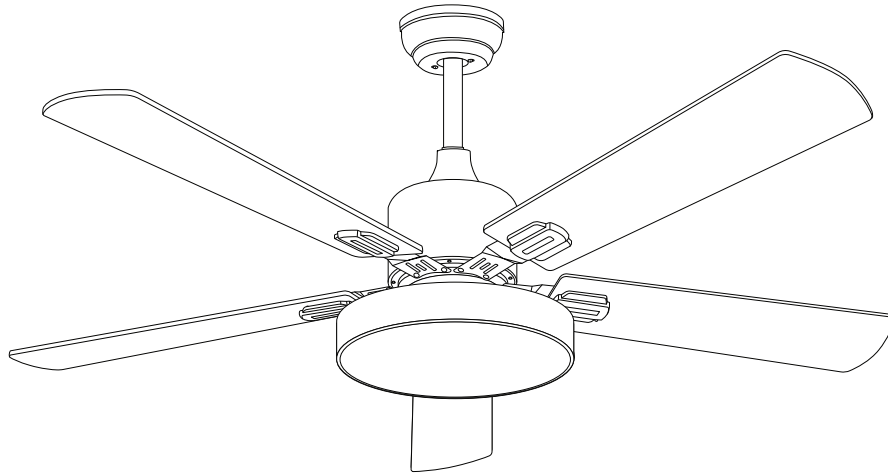
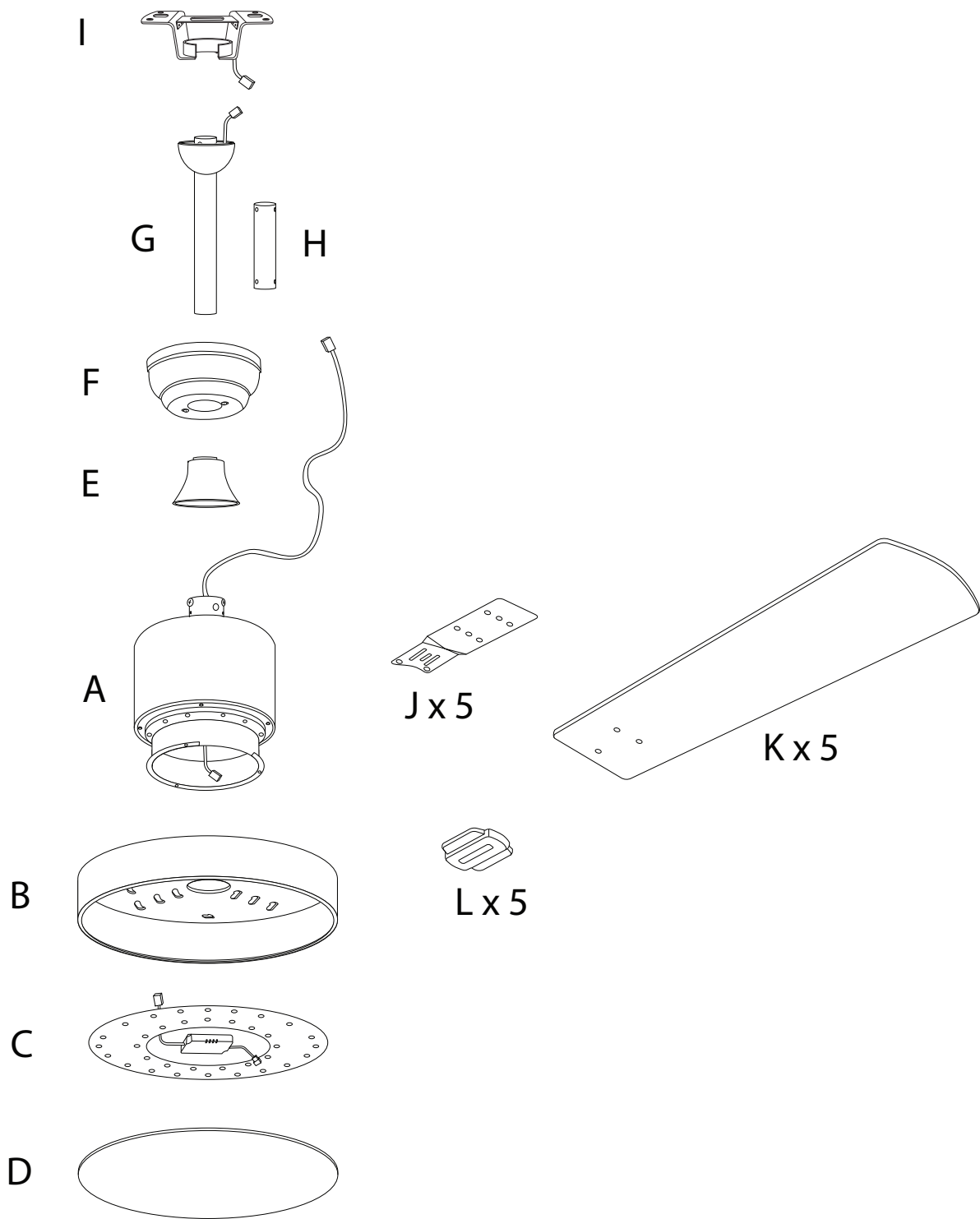
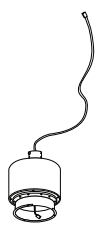
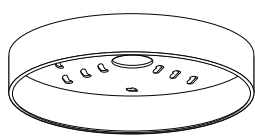
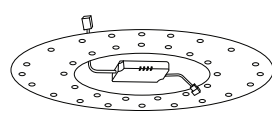
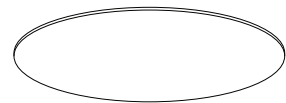


# HOBBLE







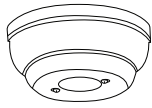
<p>A</p>  <p>x 1</p>	<p>B</p>  <p>x 1</p>	<p>C</p>  <p>x 1</p>	<p>D</p>  <p>x 1</p>
---	---	--	---

E



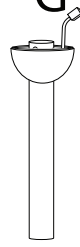
x 1

F



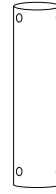
x 1

G



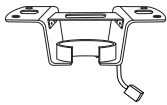
x 1

H



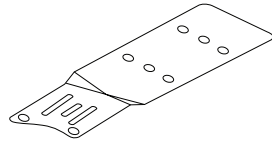
x 1

I



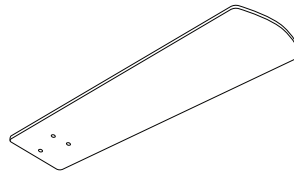
x 1

J



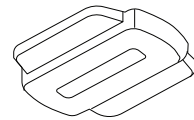
x 5

K



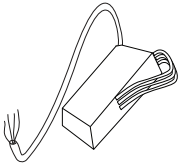
x 5

L



x 5

M



x 1

N



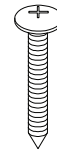
x 2

O



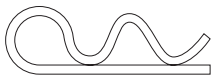
x 4

P



x 4

Q



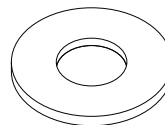
x 1

R



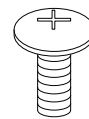
x 1

S



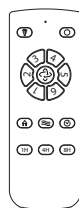
x 15

T

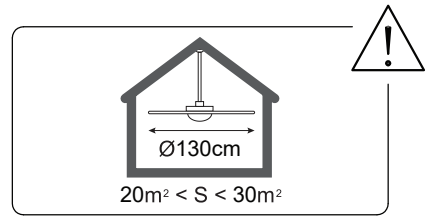
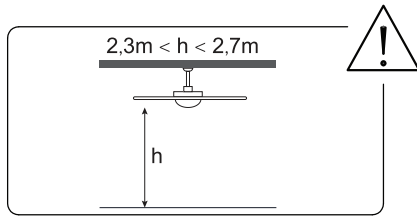
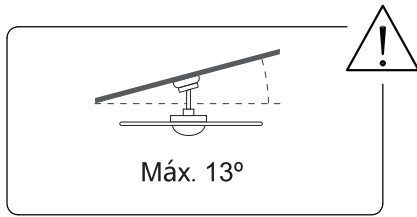
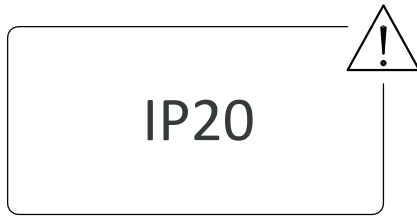
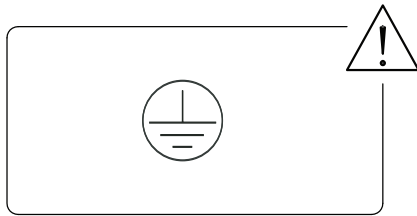
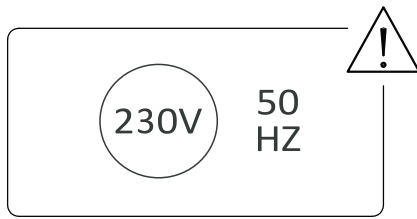


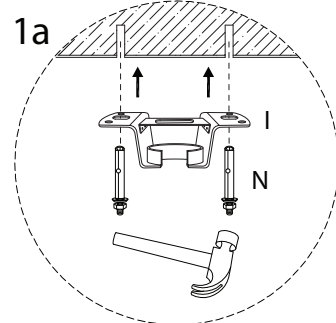
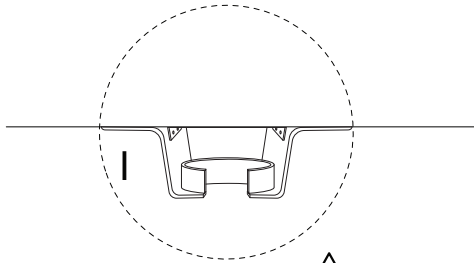
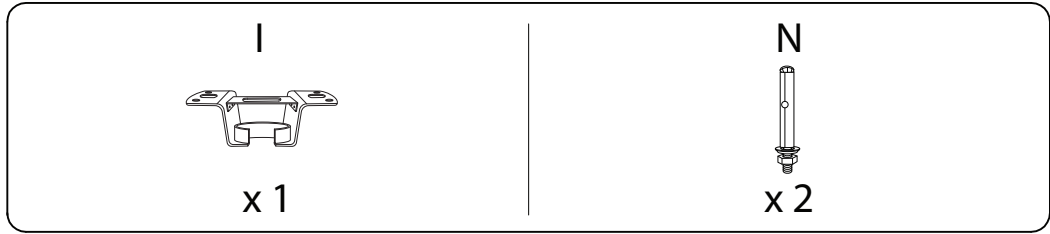
x 15

U

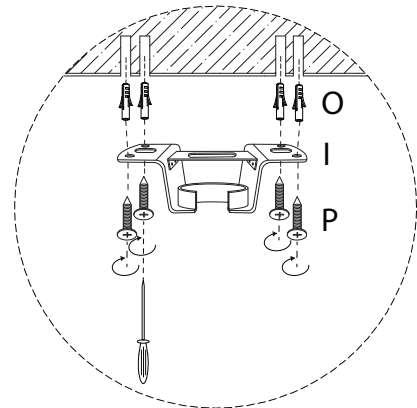
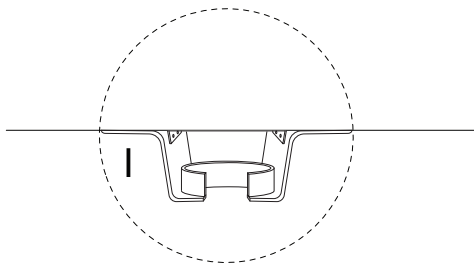
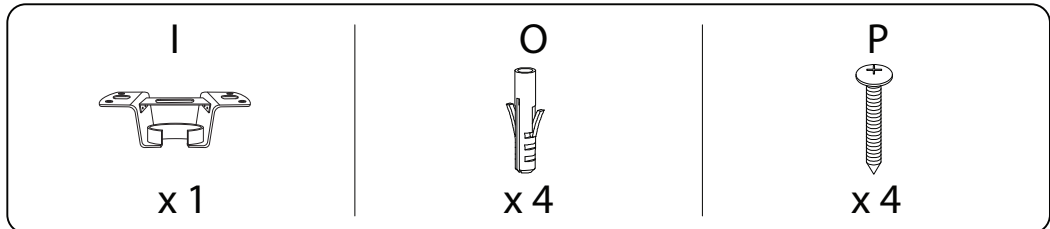
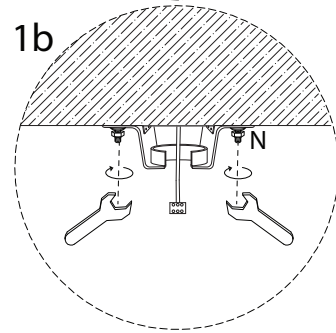
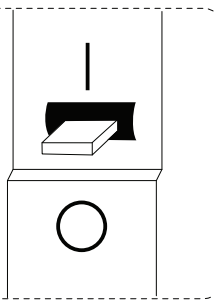


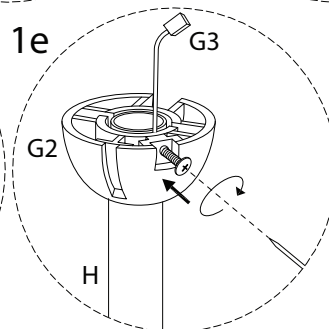
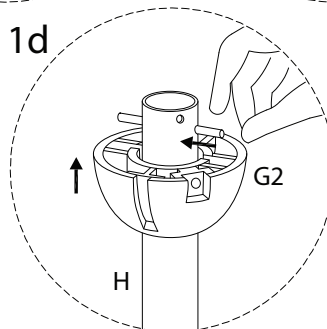
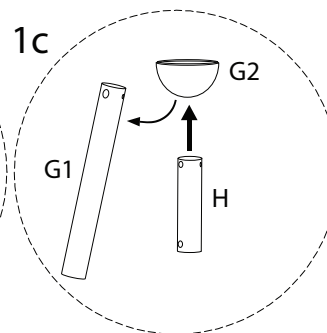
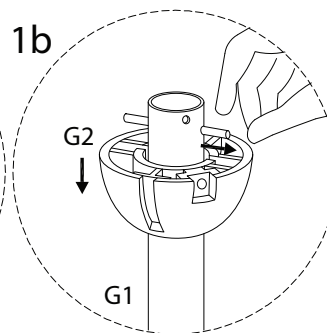
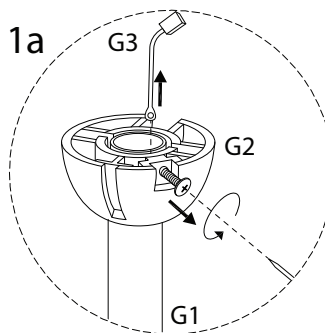
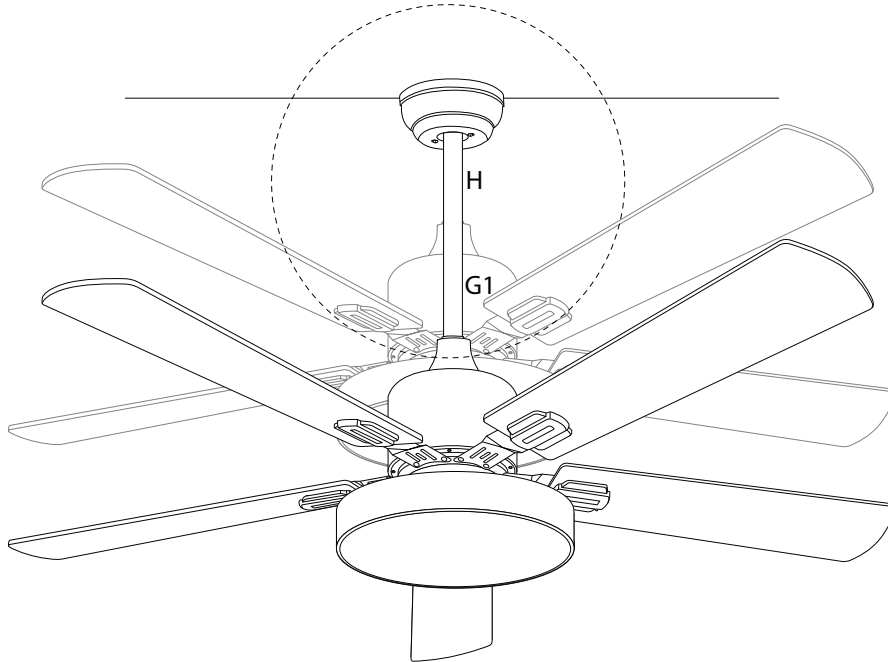
x 1





OFF





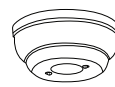
1

E

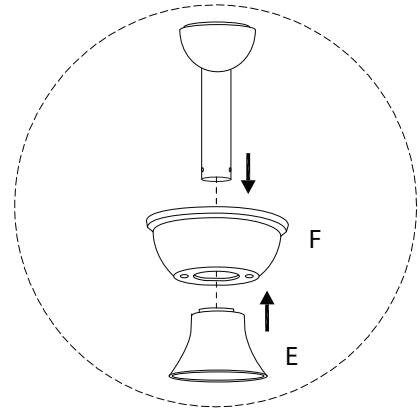
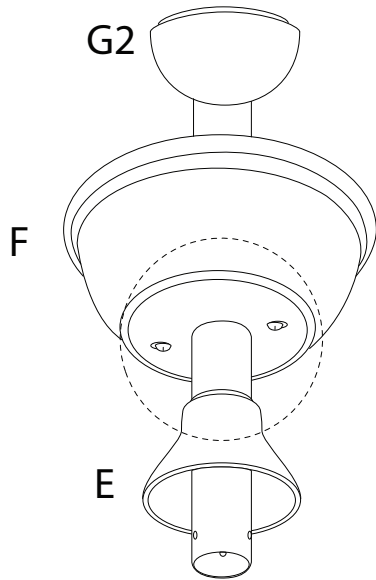


x 1

F



x 1

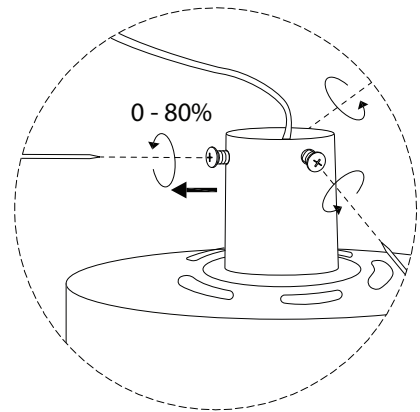
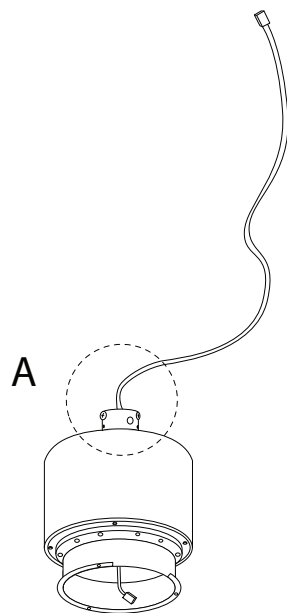


2

A

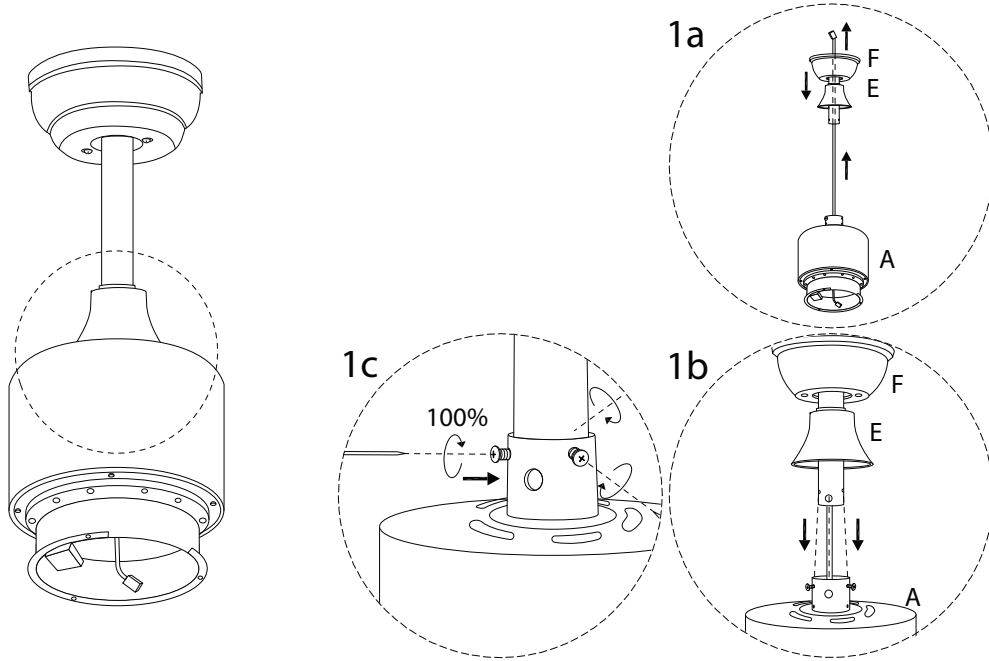


x 1

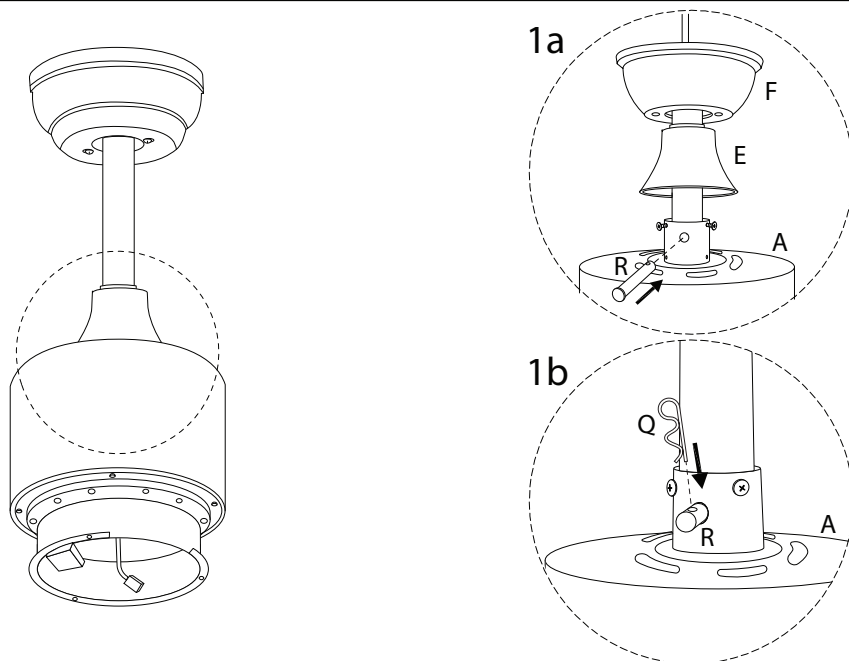
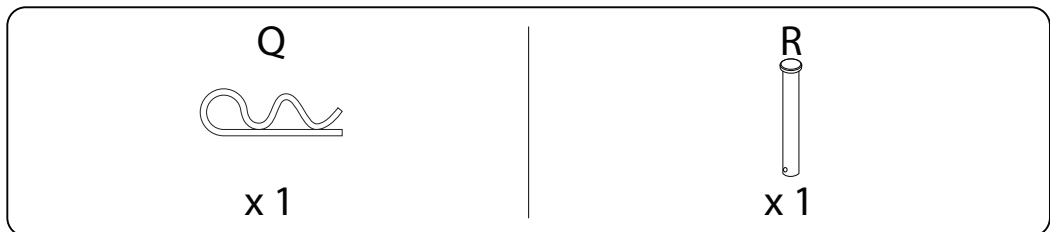




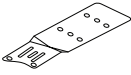
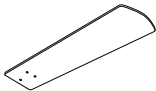
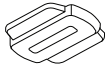
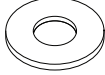
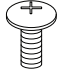
3

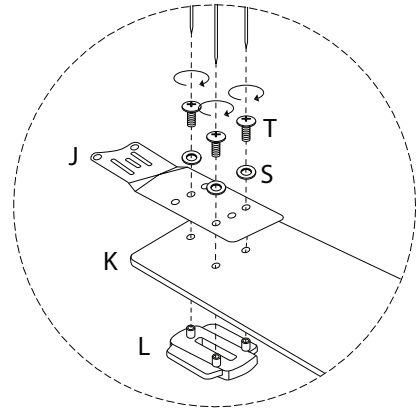
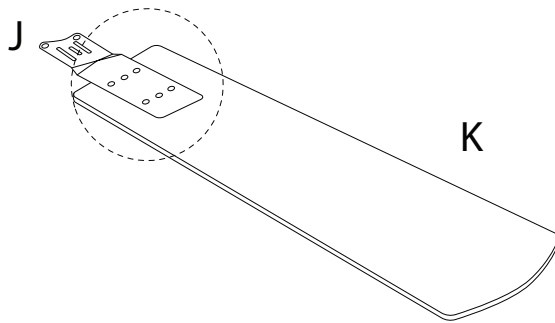


4

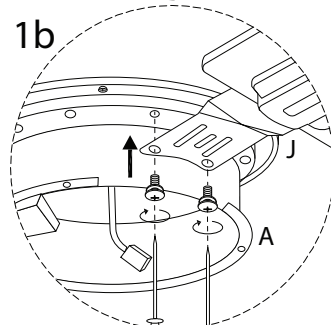
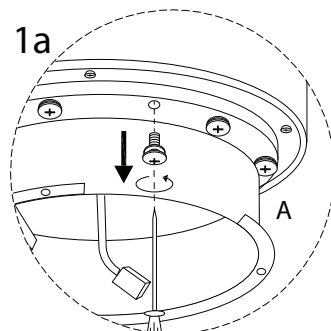
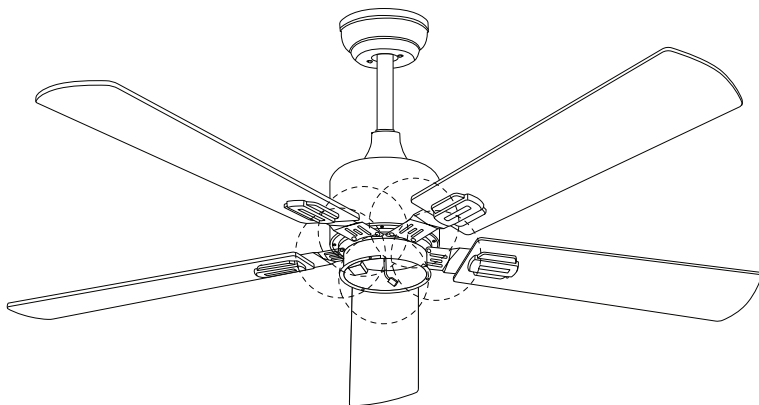


5 x 5

J	K	L	S	T
				
x 1	x 1	x 1	x 3	x 3

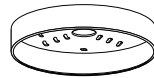


6

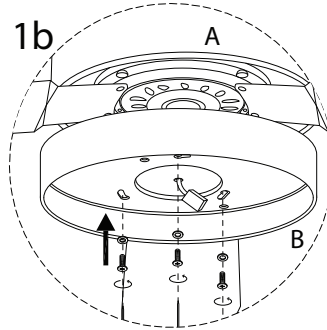
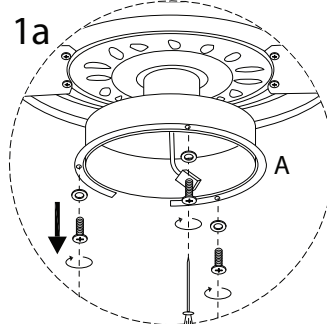
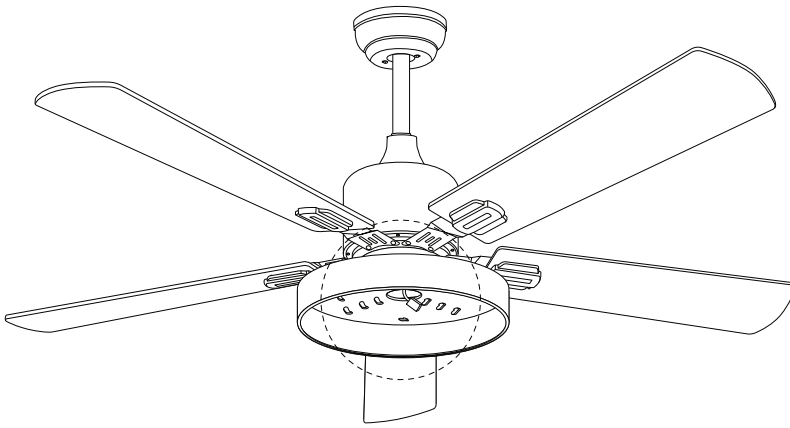


7

B

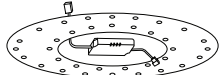


x 1



8

C

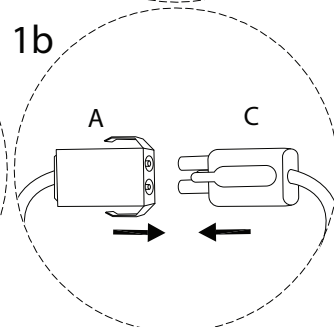
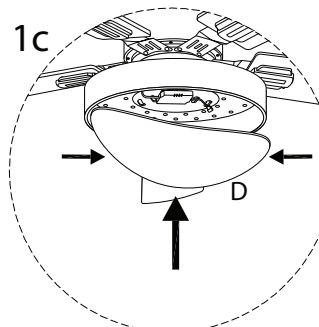
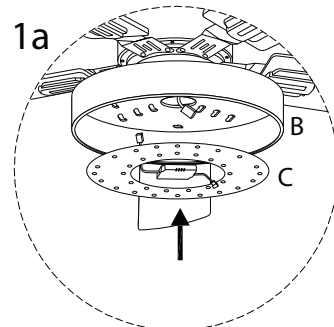
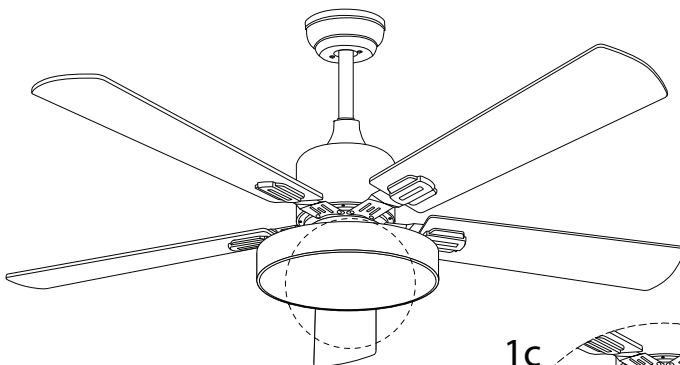


x 1

D

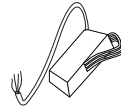


x 1

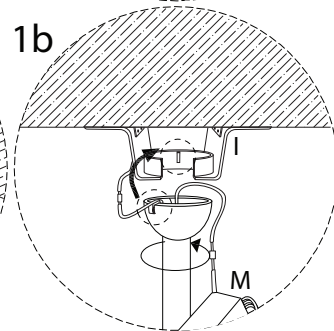
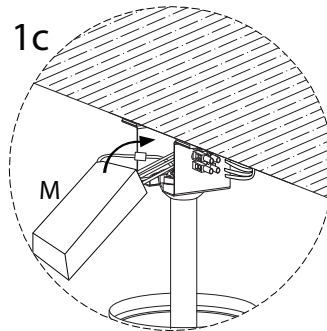
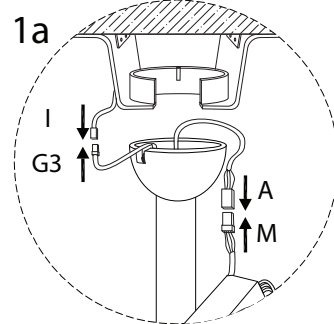
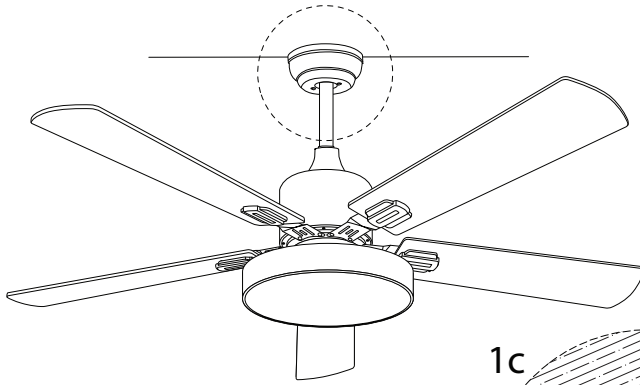


9

M



x 1



10

