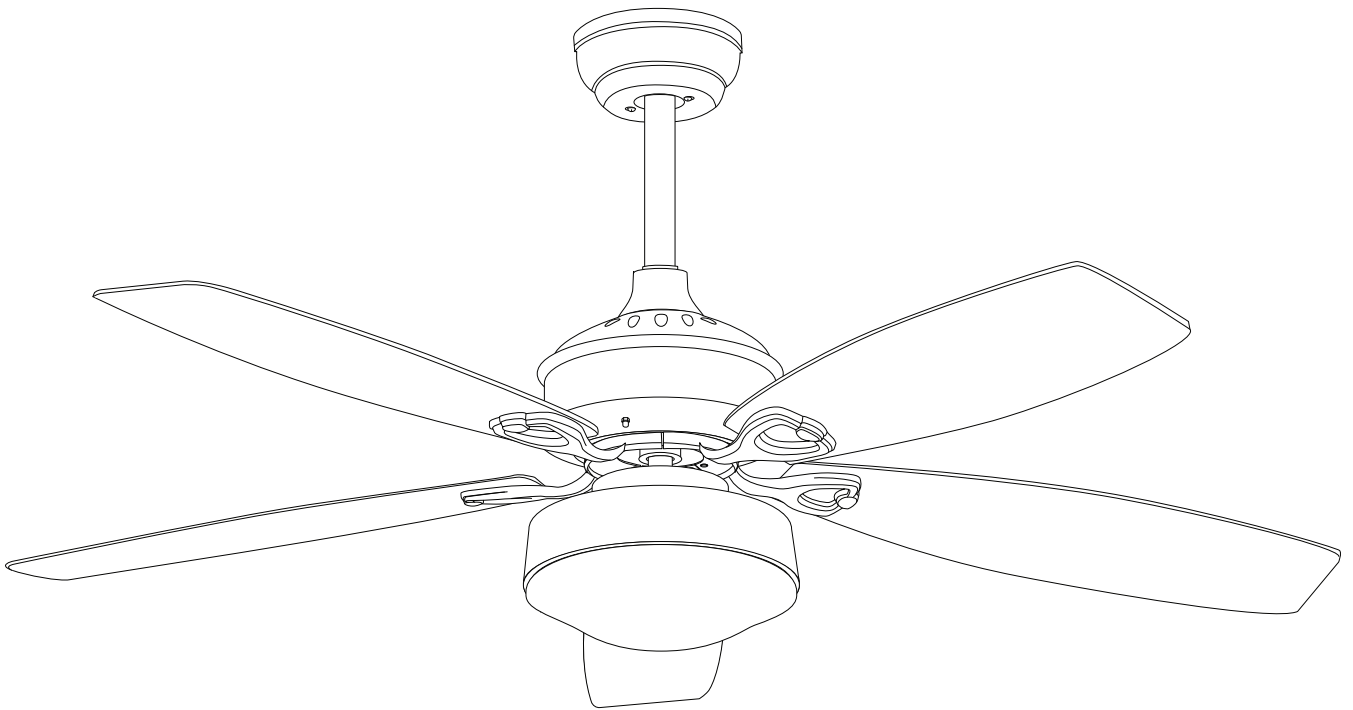
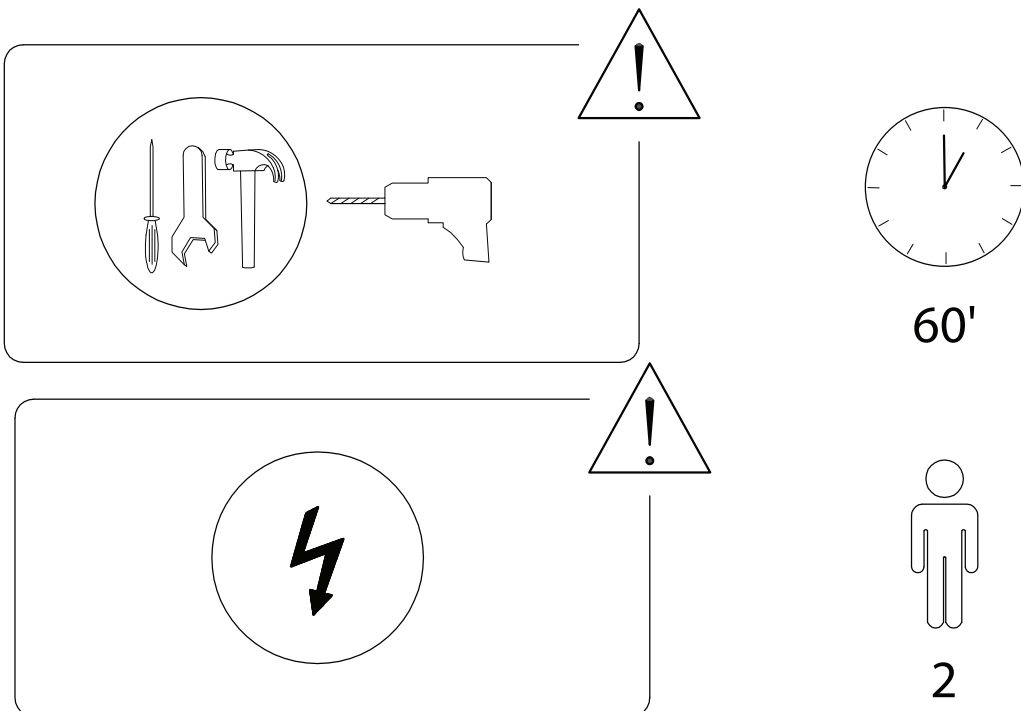
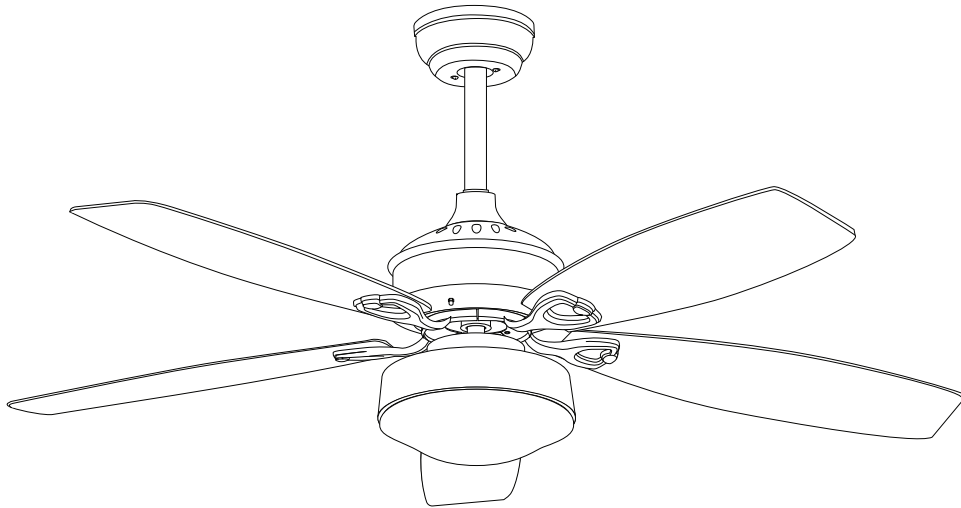
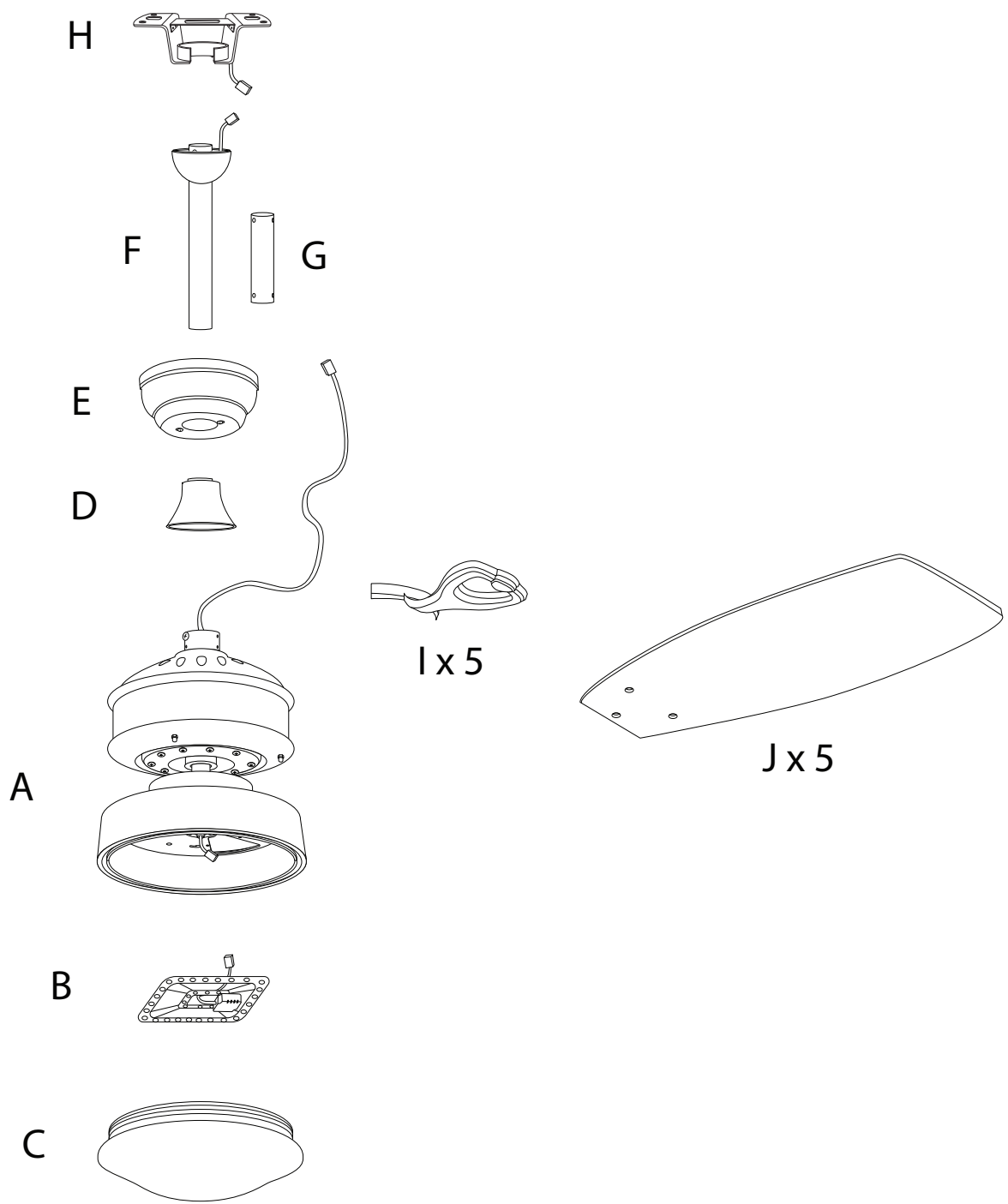
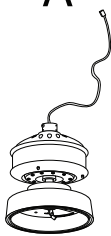
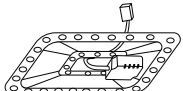
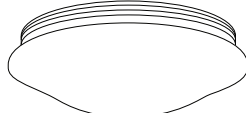


# LOGAN







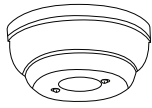
<p>A</p>  <p>x 1</p>	<p>B</p>  <p>x 1</p>	<p>C</p>  <p>x 1</p>
---	---	---

D



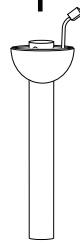
x 1

E



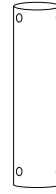
x 1

F



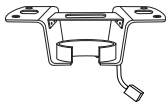
x 1

G



x 1

H



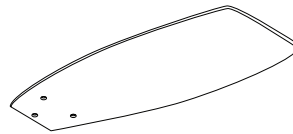
x 1

I



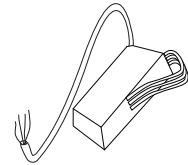
x 5

J



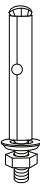
x 5

K



x 1

L



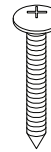
x 2

M



x 4

N



x 4

O



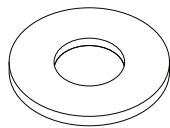
x 1

P



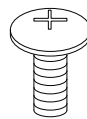
x 1

R



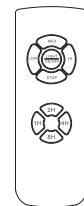
x 15

S

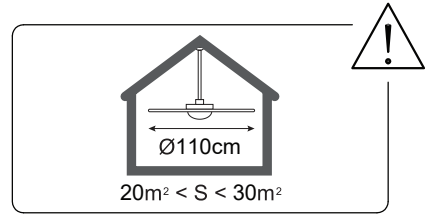
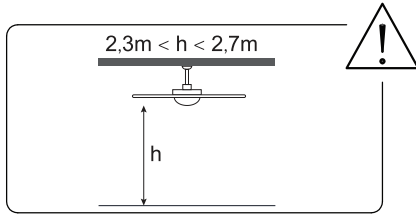
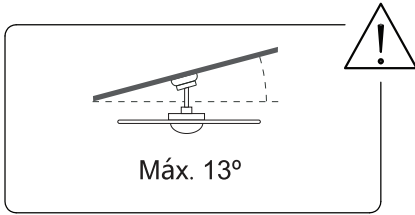
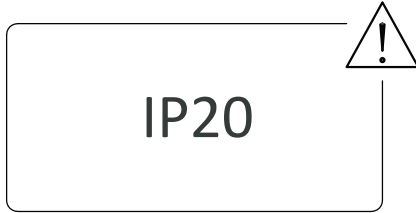
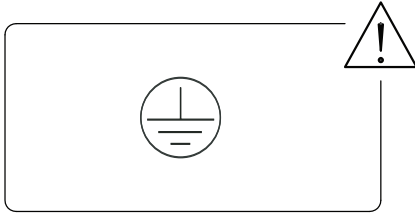
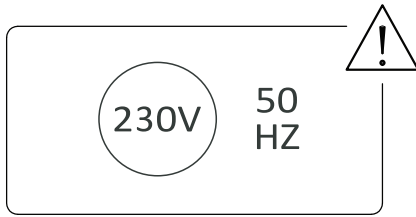


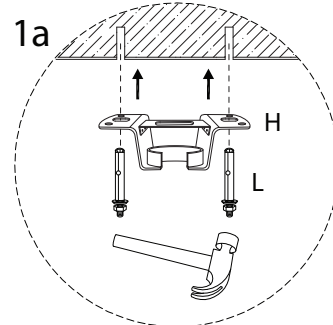
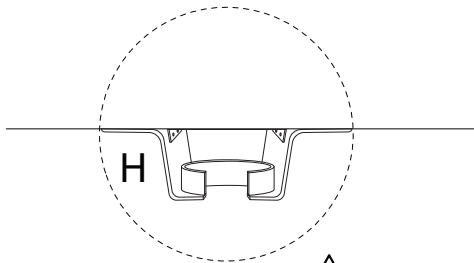
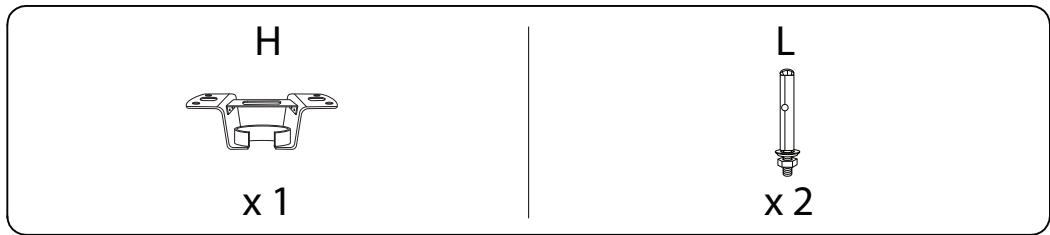
x 15

T

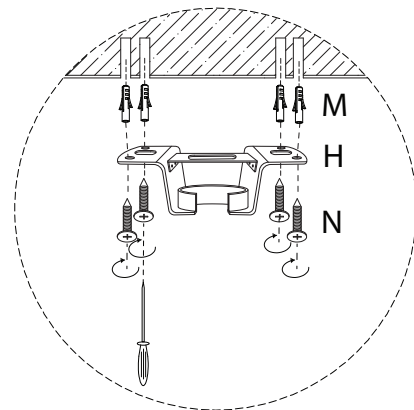
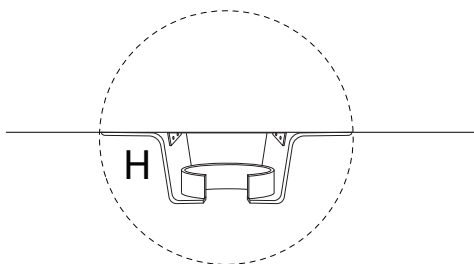
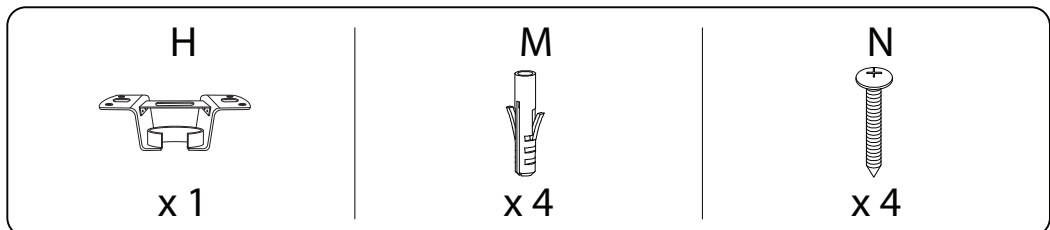
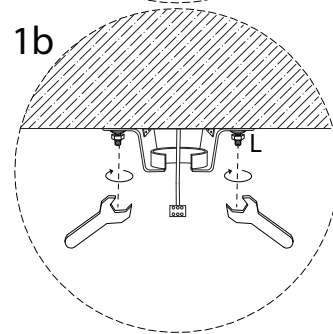
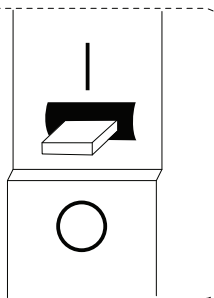


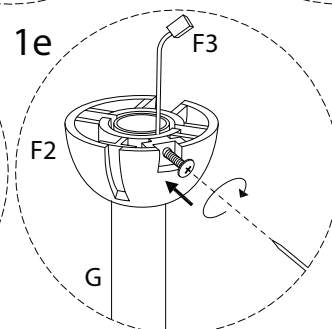
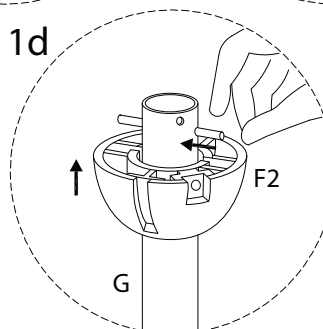
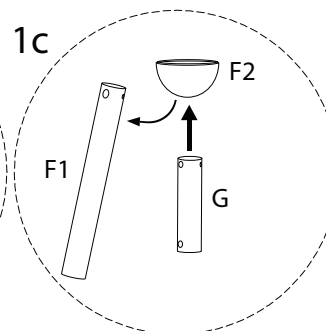
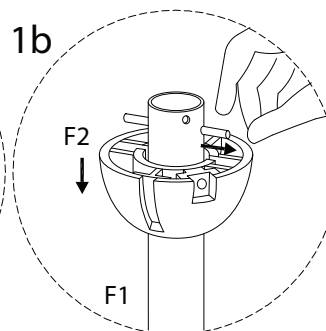
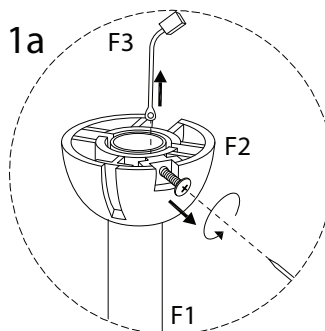
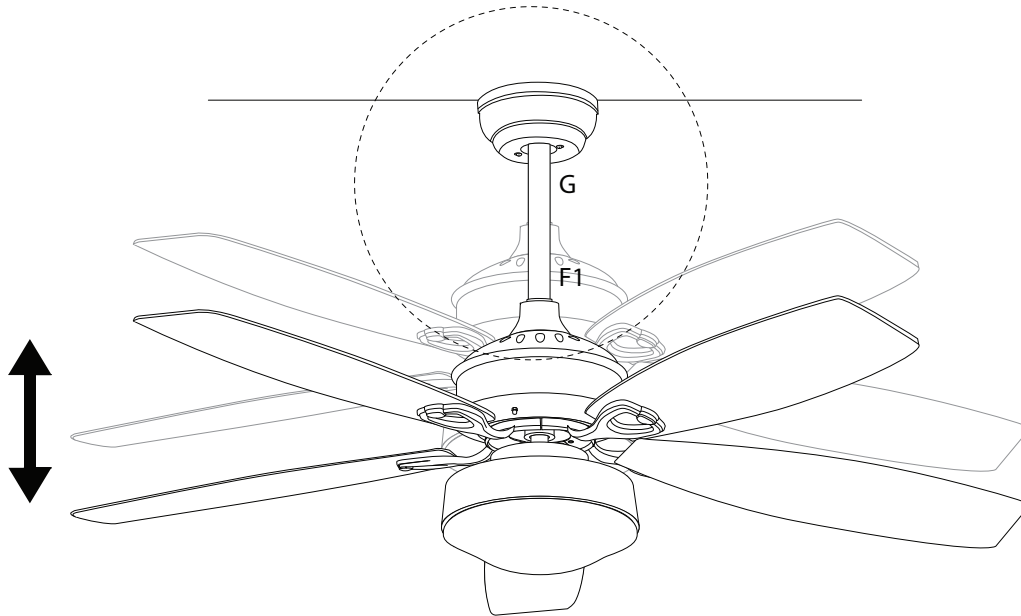
x 1





OFF





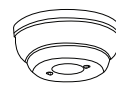
1

D

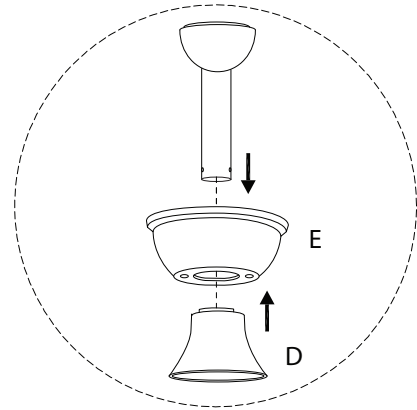
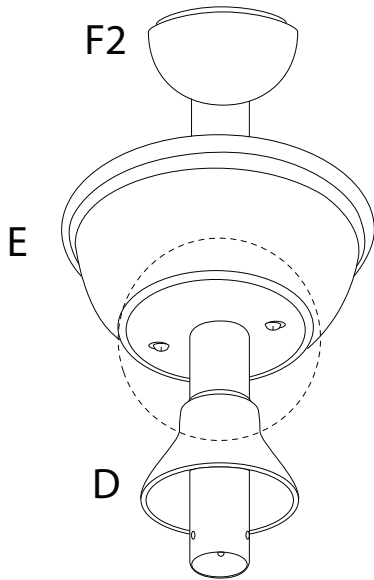


x 1

E



x 1

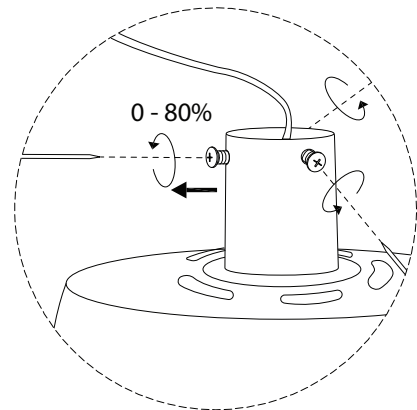
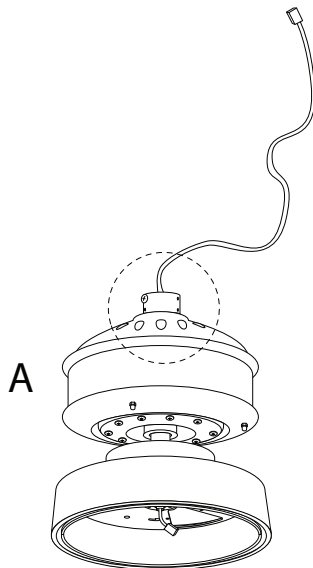


2

A

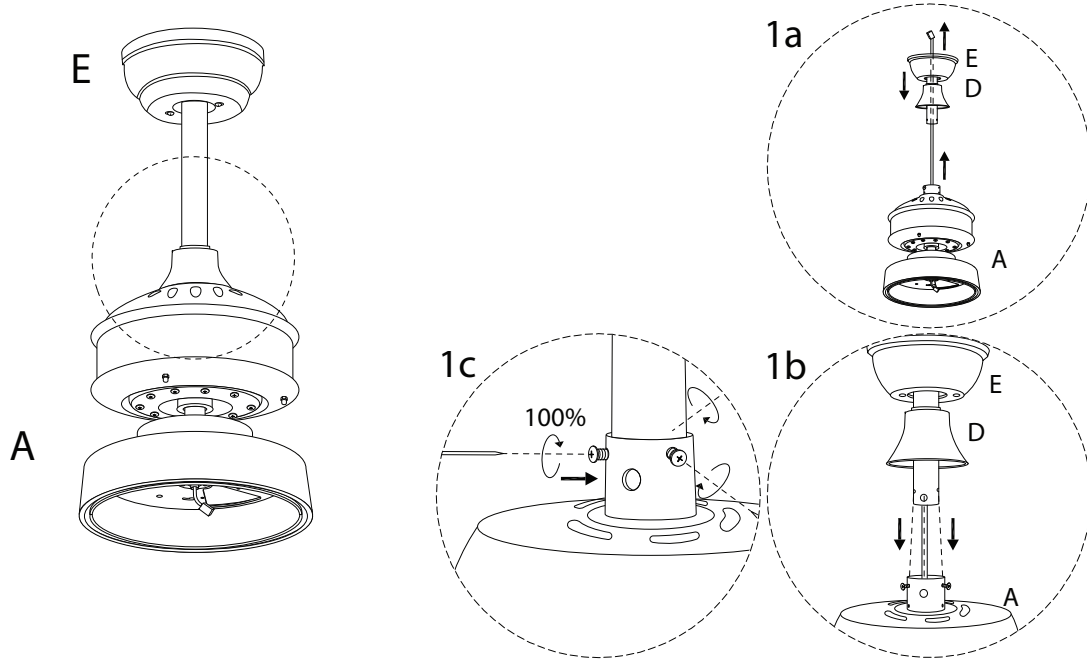


x 1

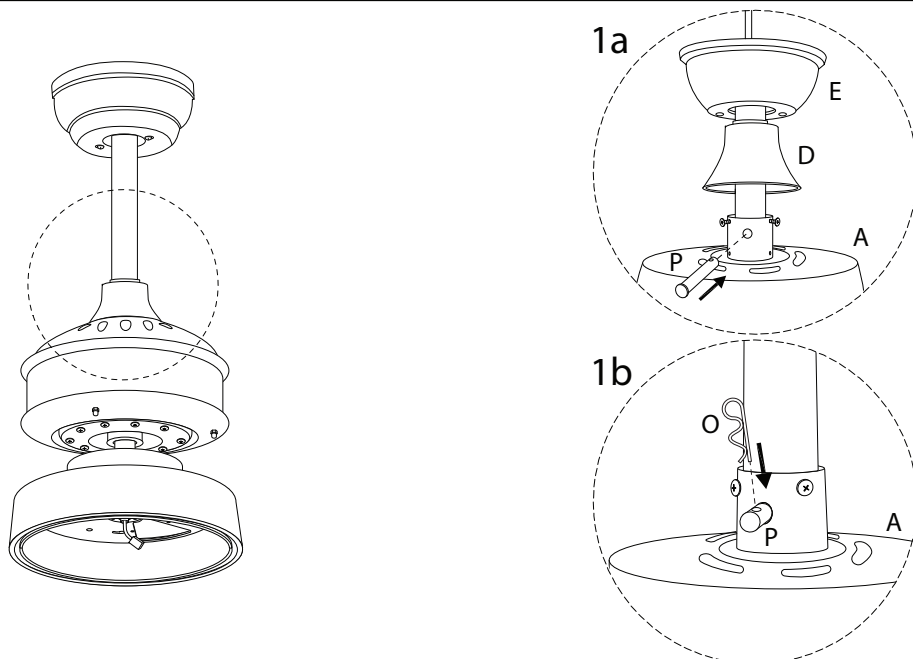
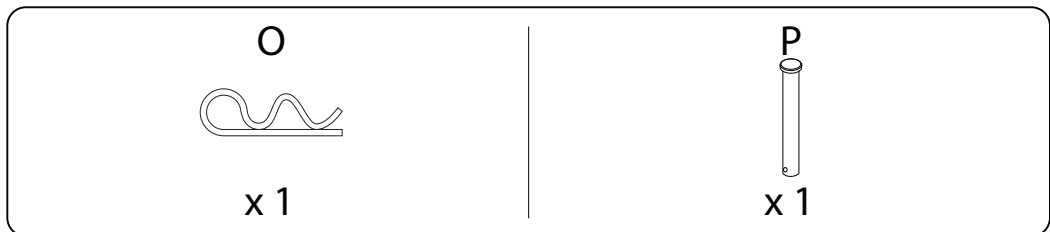




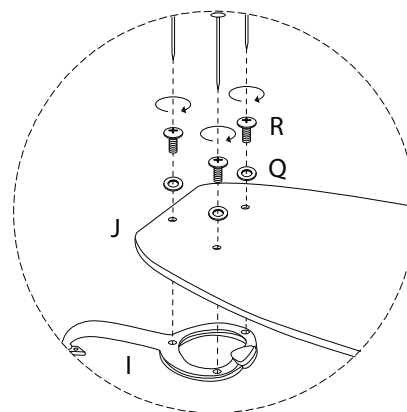
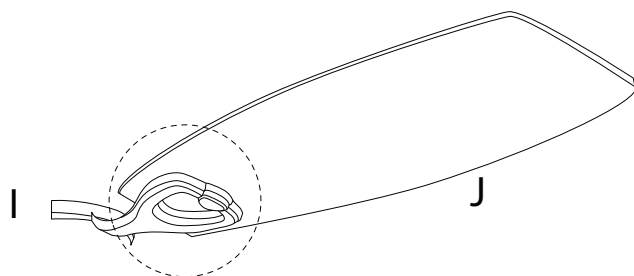
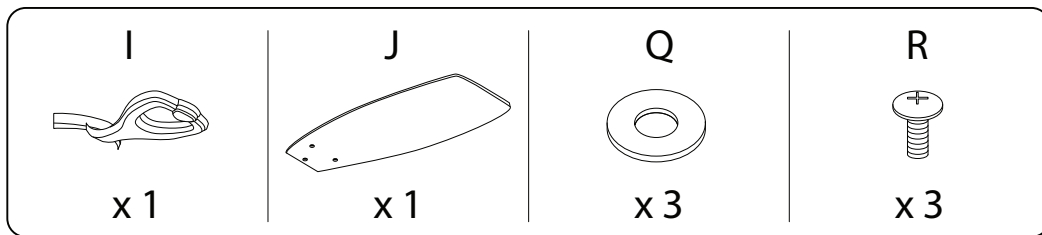
3



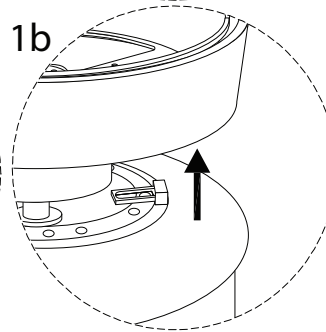
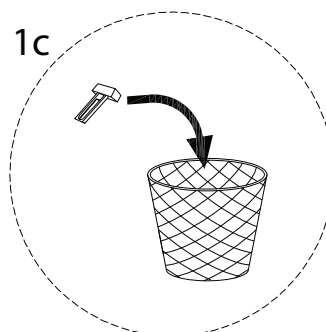
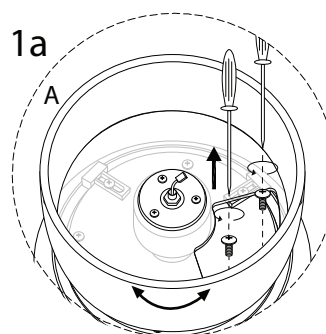
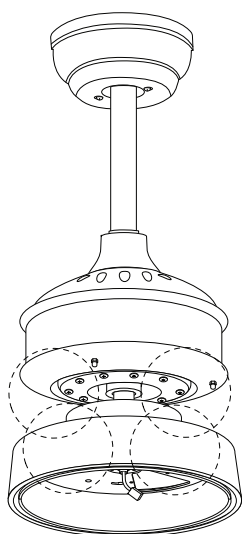
4



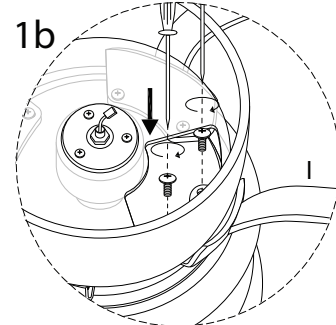
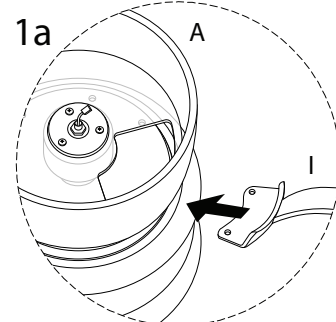
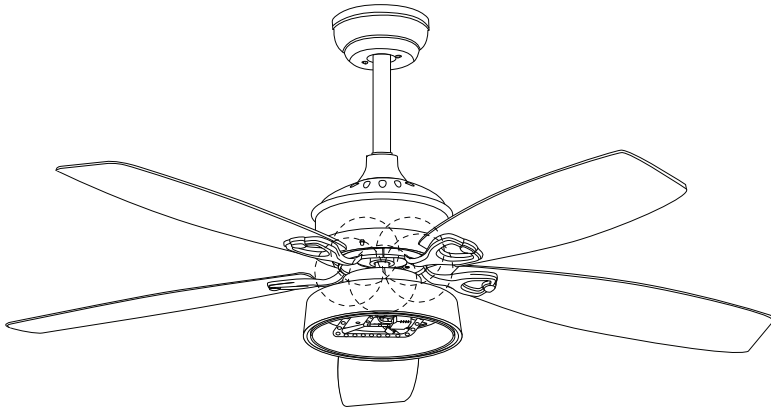
5 x 5



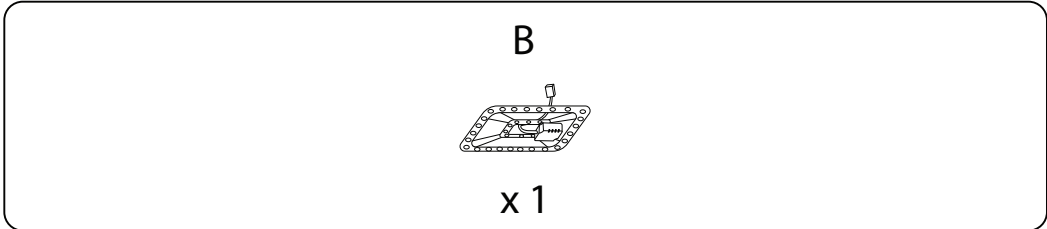
6



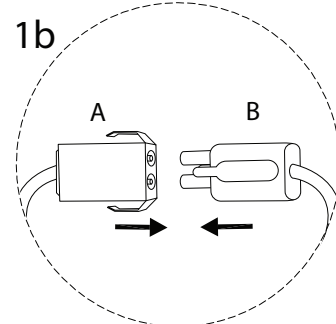
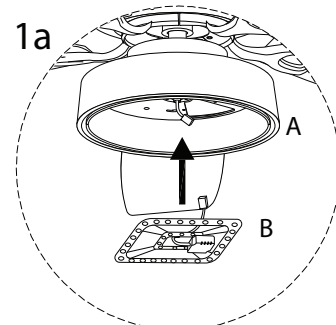
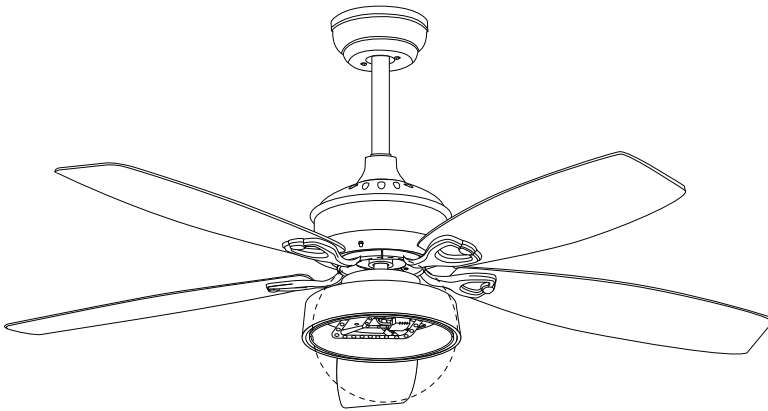
7



8



x 1

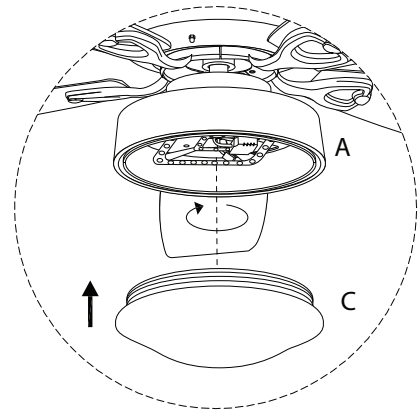
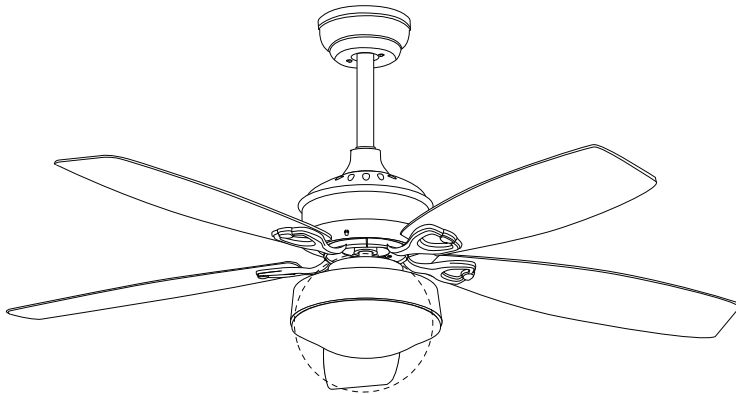


9

C

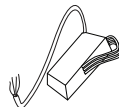


x 1

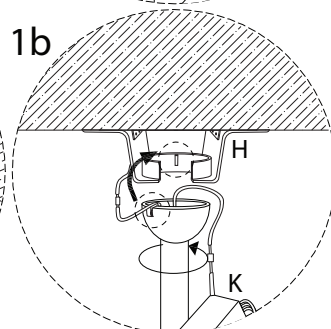
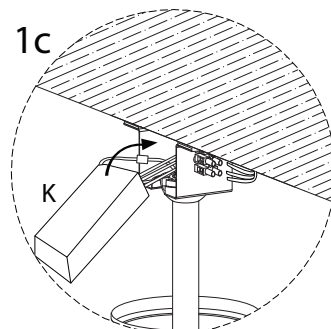
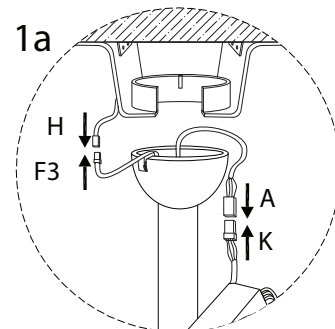
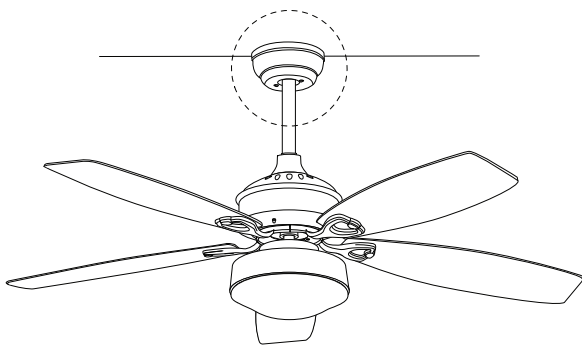


10

K



x 1



11

