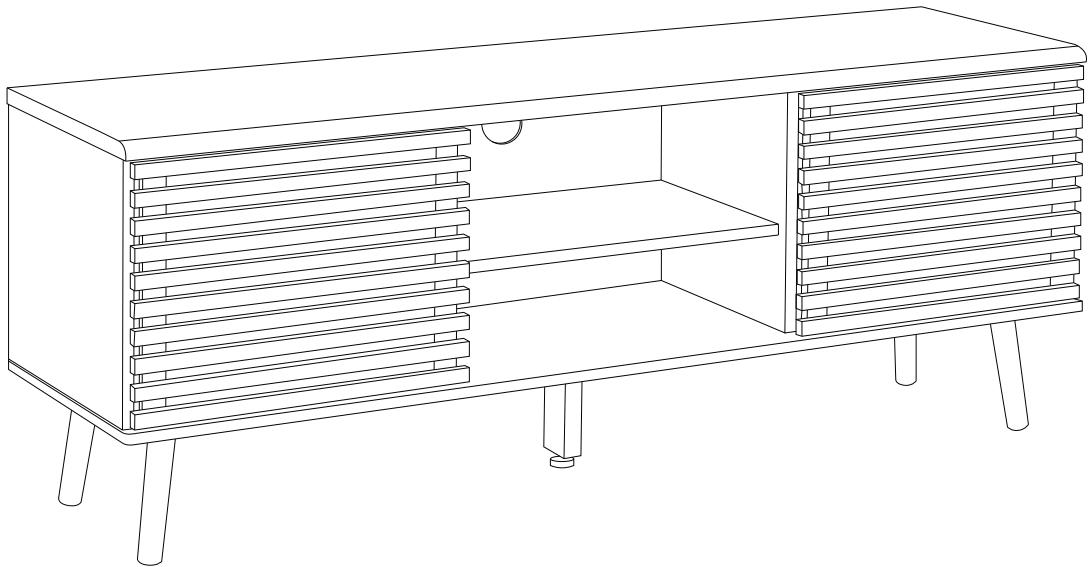
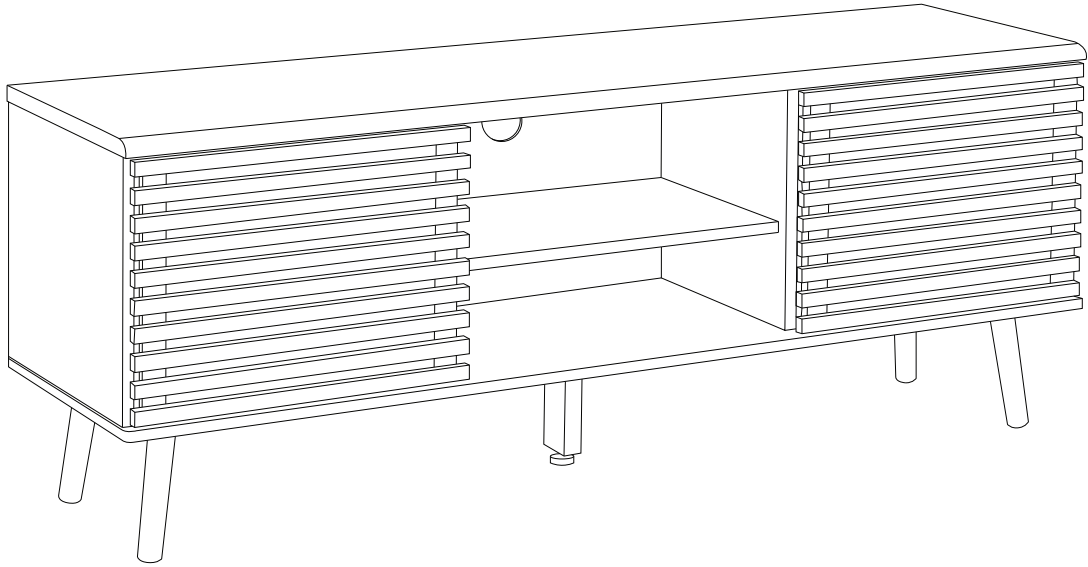


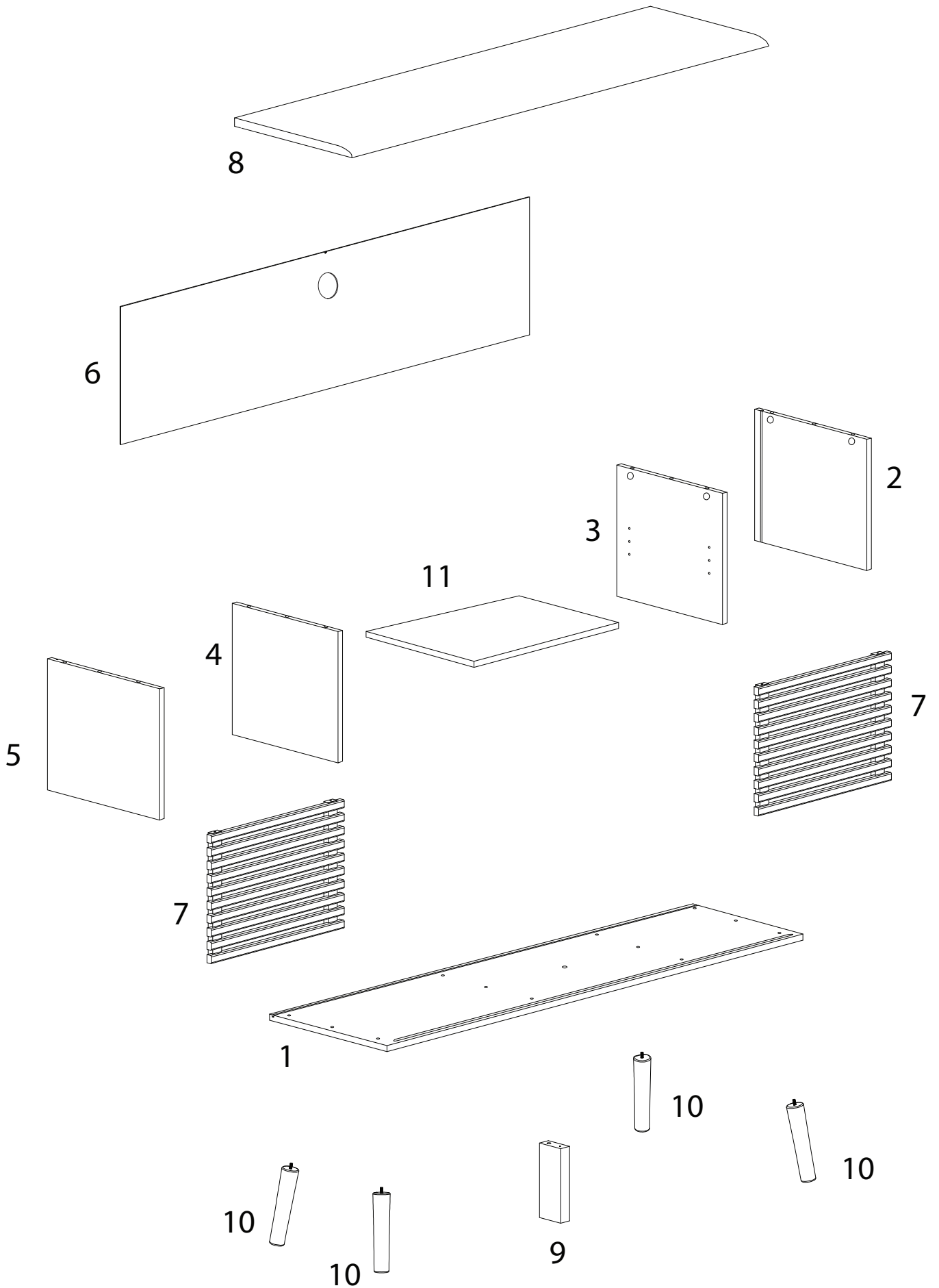
PERTH



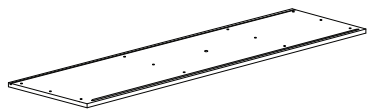


Assembly instructions for the TV console:

- Top Section:** Requires a screwdriver (indicated by a screwdriver icon in a circle) and a power drill (indicated by a power drill icon with a diagonal slash through it). A warning triangle with an exclamation mark is shown to the right. The estimated assembly time is 45 minutes, indicated by a clock icon.
- Bottom Section:** Requires a foam block (indicated by a foam block icon in a circle) and a wooden block (indicated by a wooden block icon with a diagonal slash through it). A warning triangle with an exclamation mark is shown to the right. The number of people required for assembly is 2, indicated by a person icon.

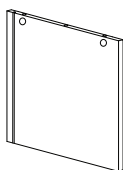


1



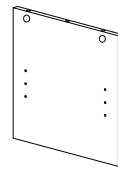
x 1

2



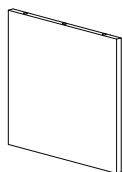
x 1

3



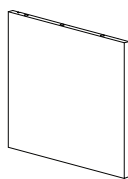
x 1

4



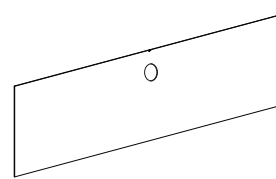
x 1

5



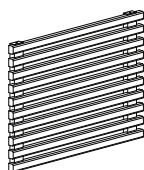
x 1

6



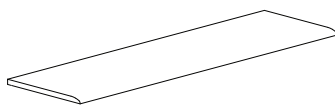
x 1

7



x 2

8



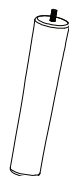
x 1

9



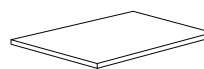
x 1

10



x 4

11



x 1

A



x 8

B



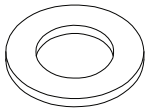
x 8

C



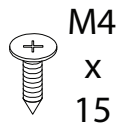
x 9

D



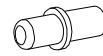
x 16

E



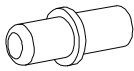
x 16

F



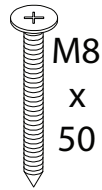
x 4

G



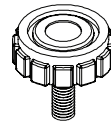
x 8

H



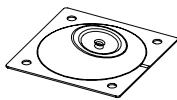
x 9

I



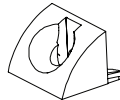
x 1

J



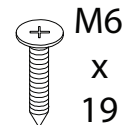
x 4

K



x 6

L



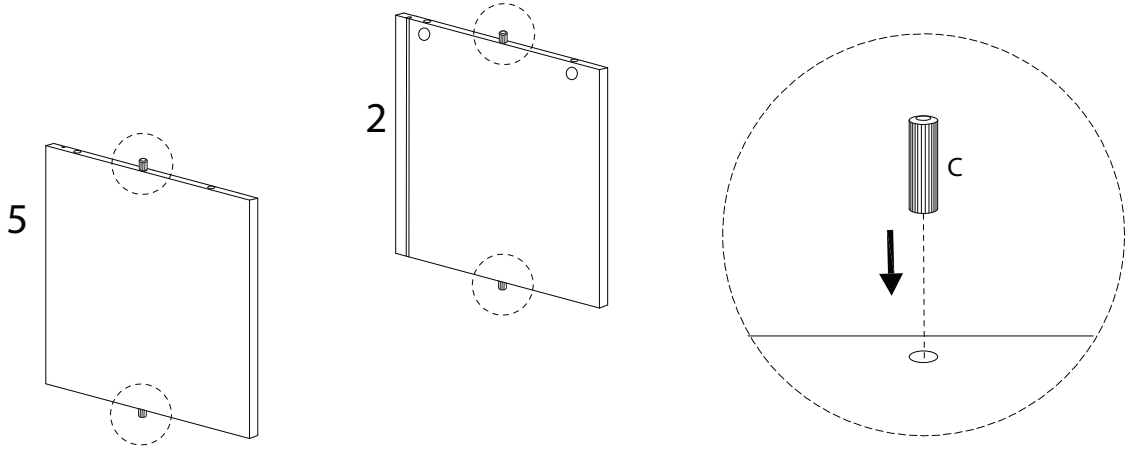
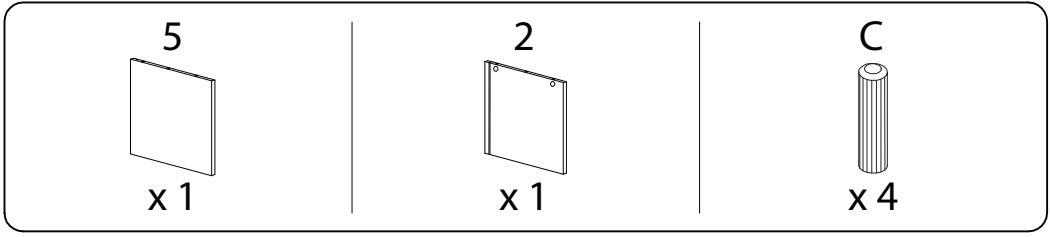
x 6

M

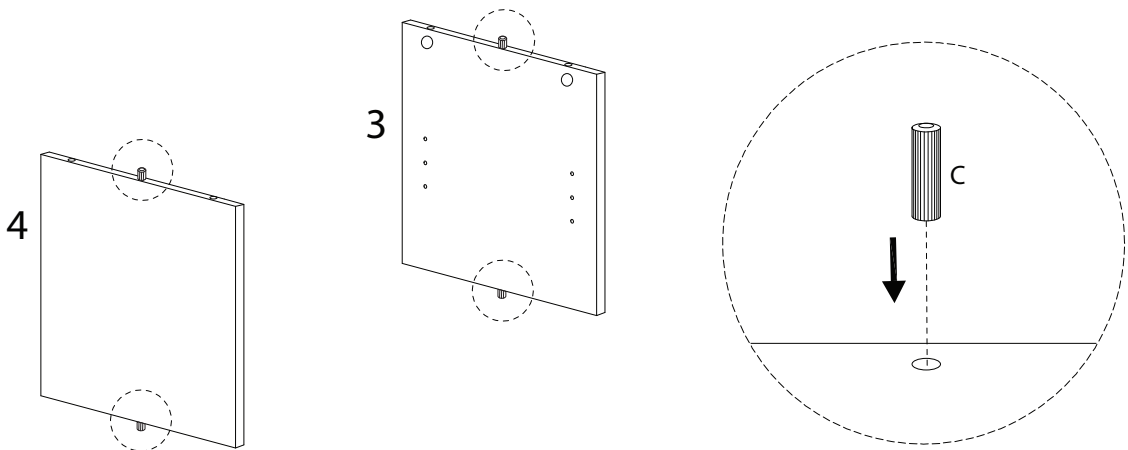
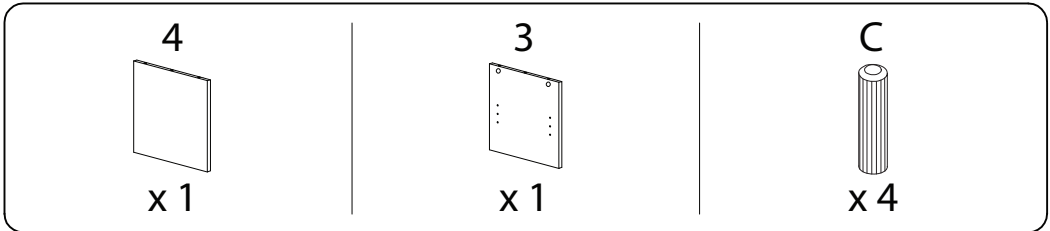


x 8

1

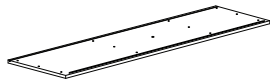


2



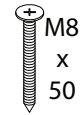
3

1

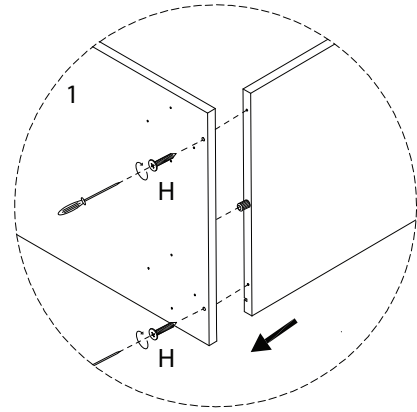
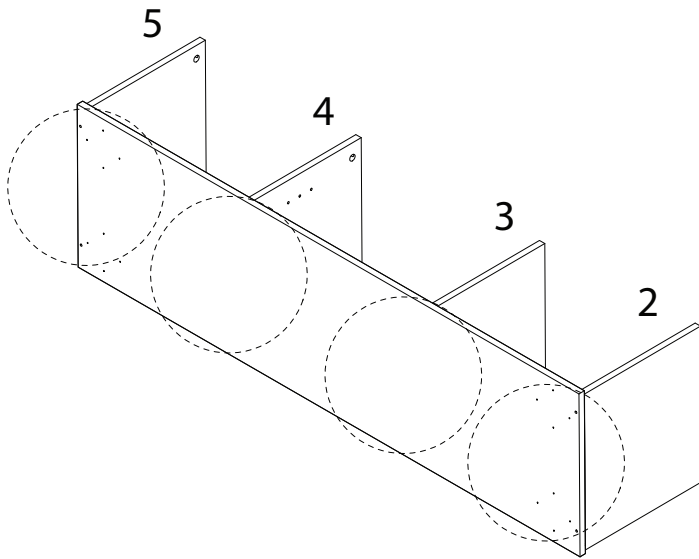


x 1

H

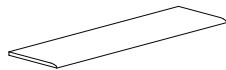


x 8



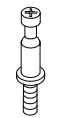
4

8

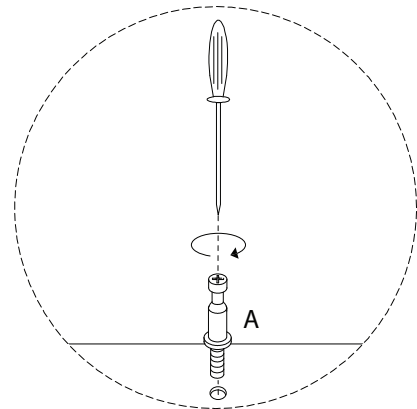
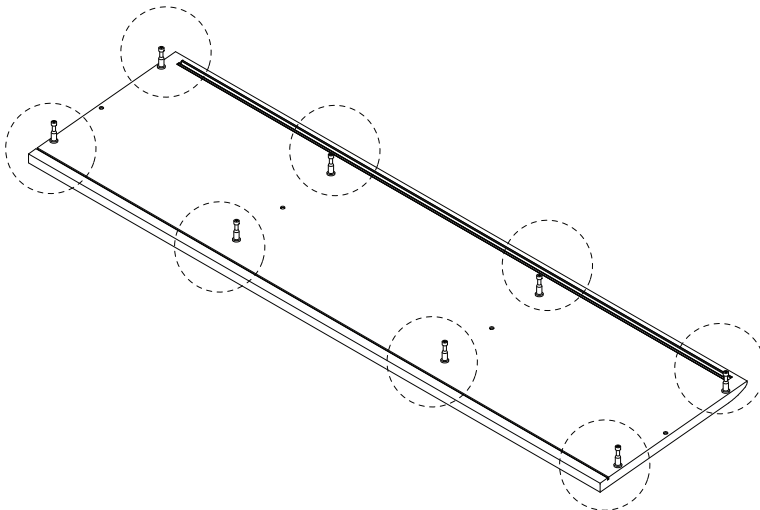


x 1

A

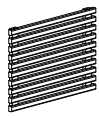


x 8



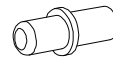
5 x 2

7

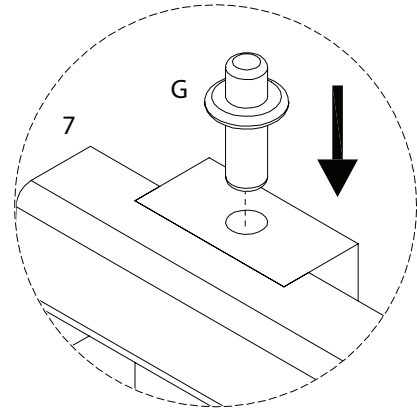
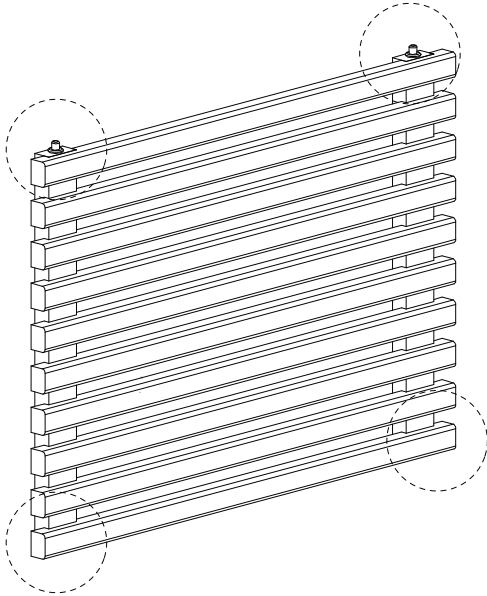


x 1

G

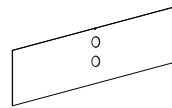


x 4

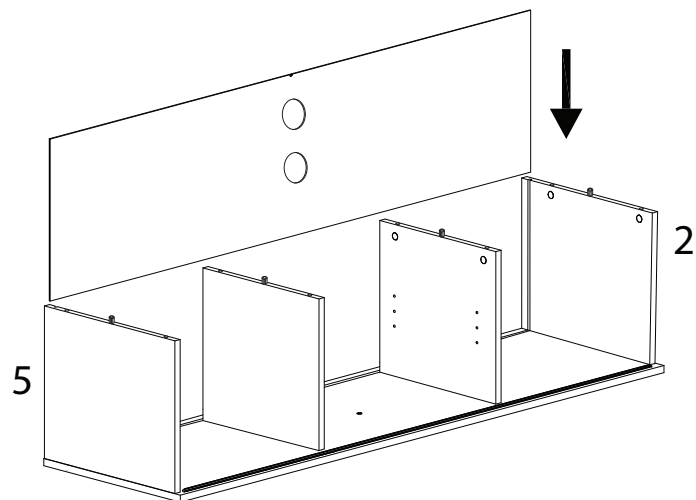


6

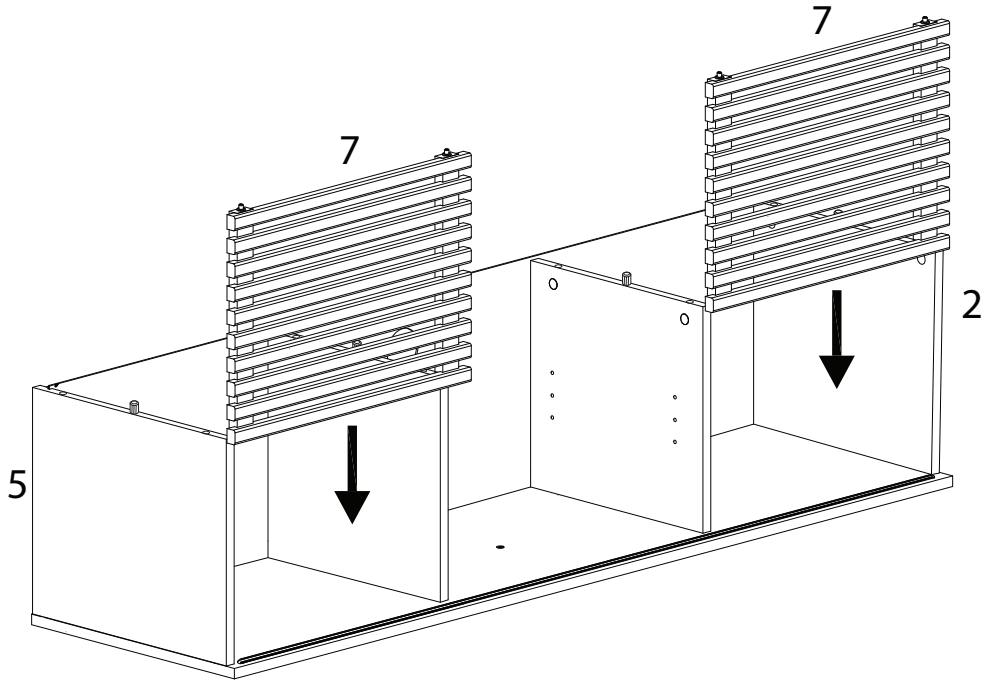
6



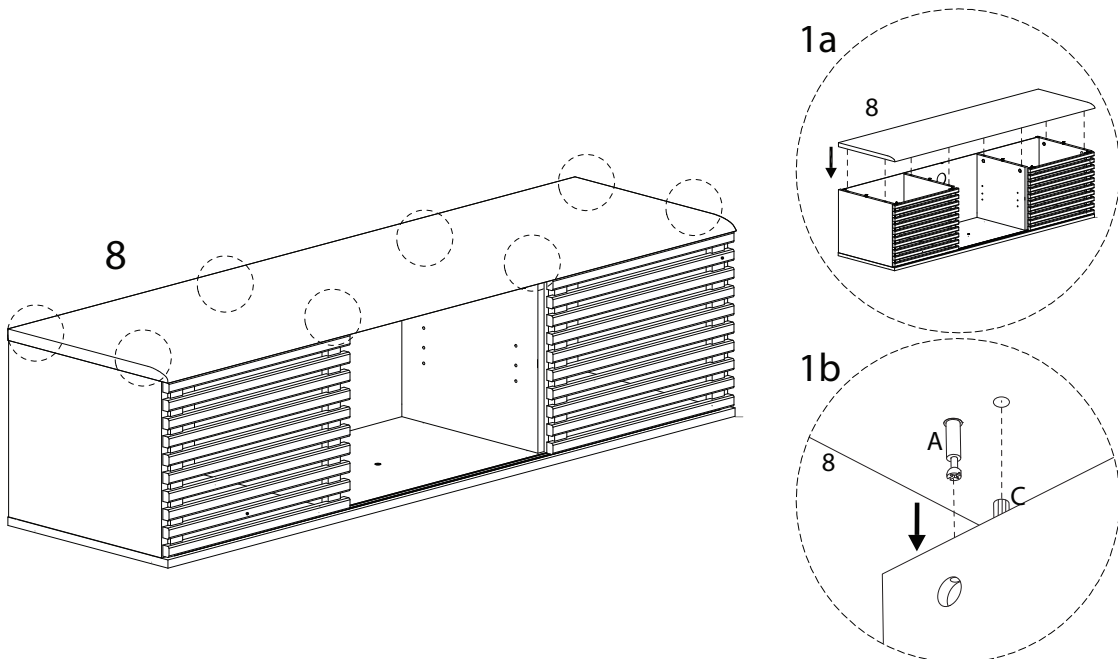
x 1



7



8

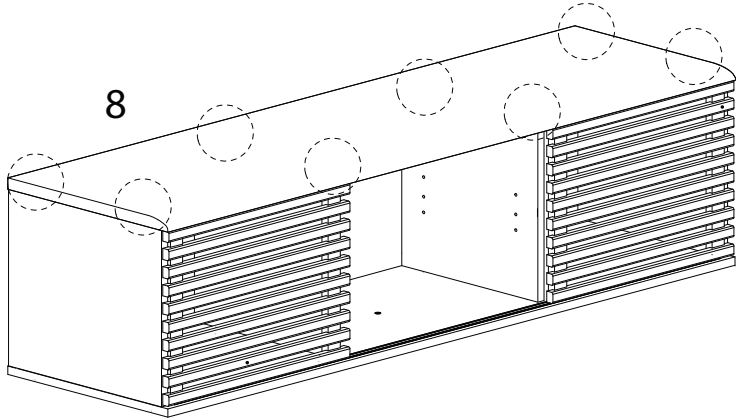


9

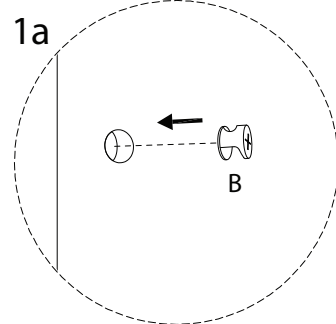
B



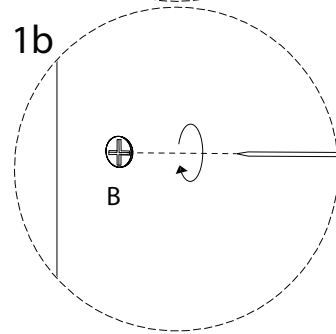
x 8



1a

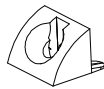


1b



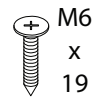
10

K



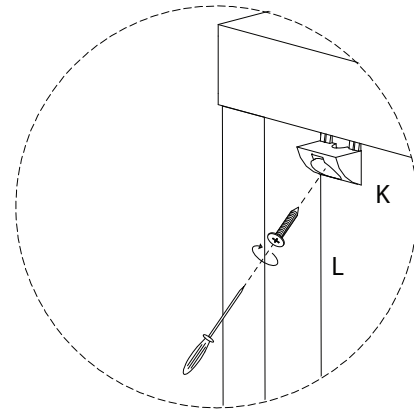
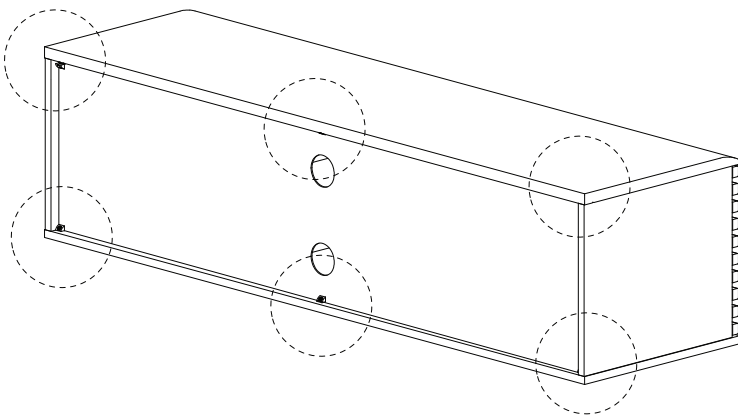
x 6

L

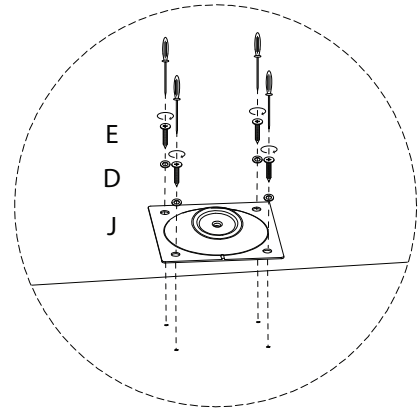
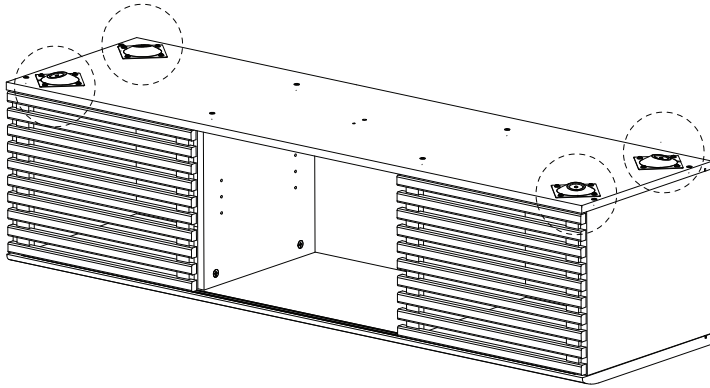
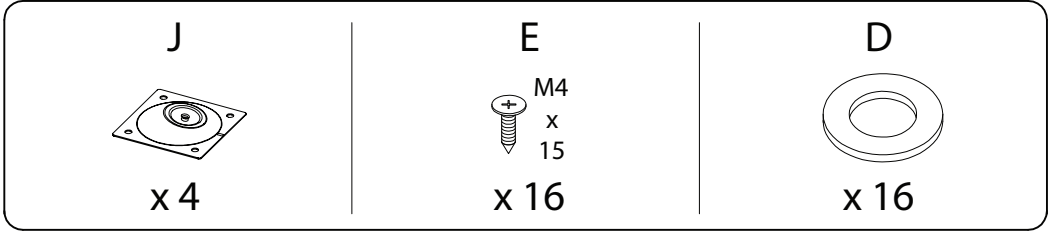


M6
x
19

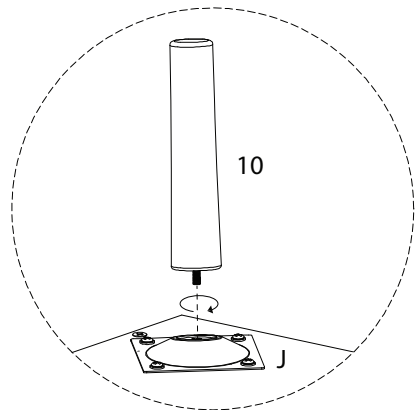
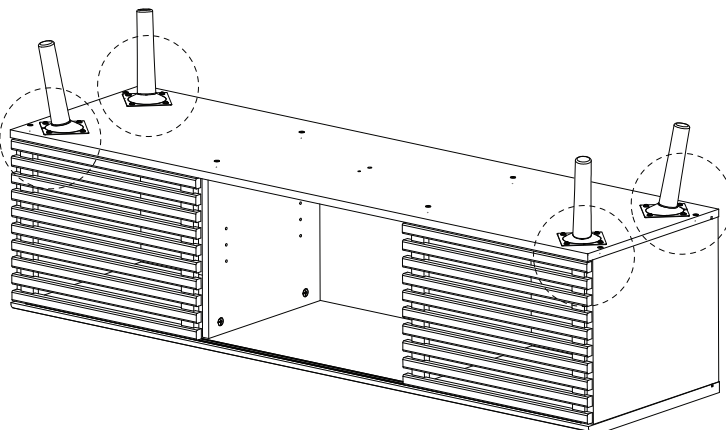
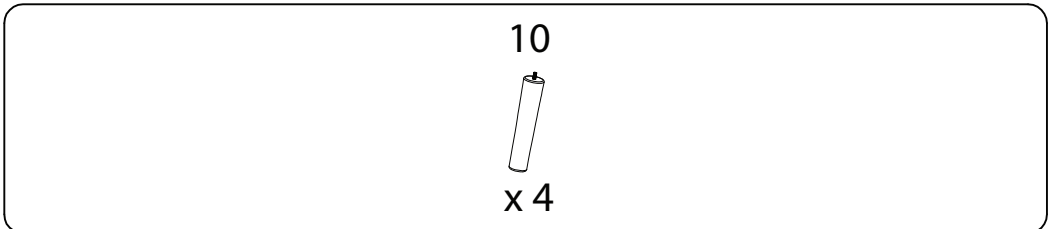
x 6



11



12



13

9

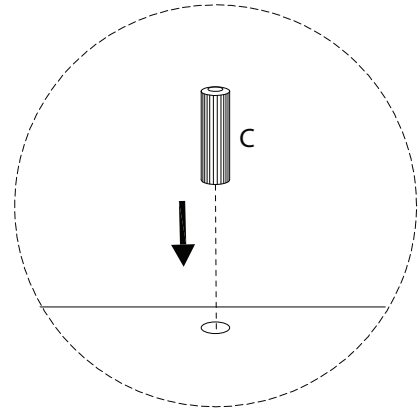
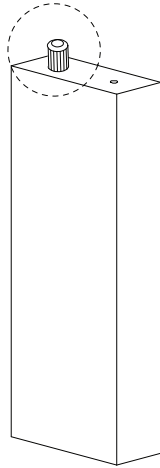


x 1

C



x 1



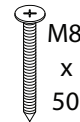
14

I

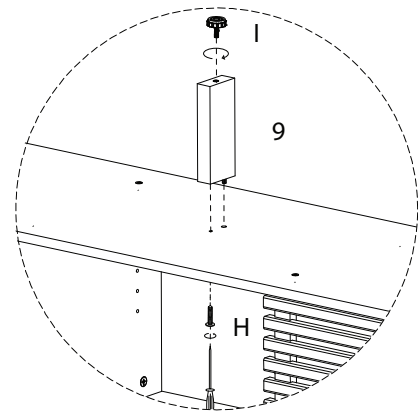
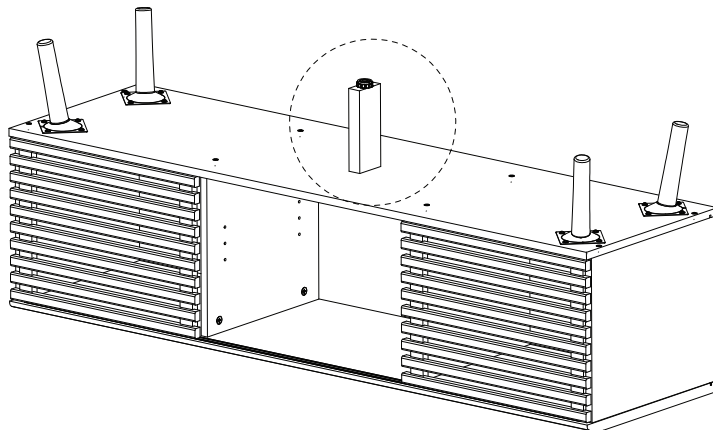


x 1

H



x 1

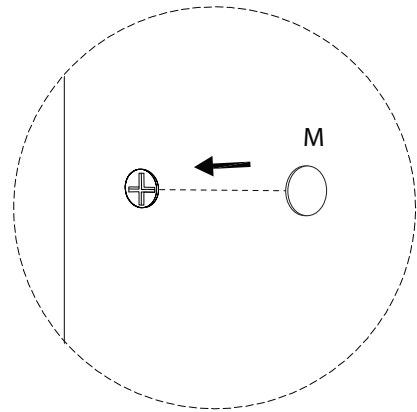
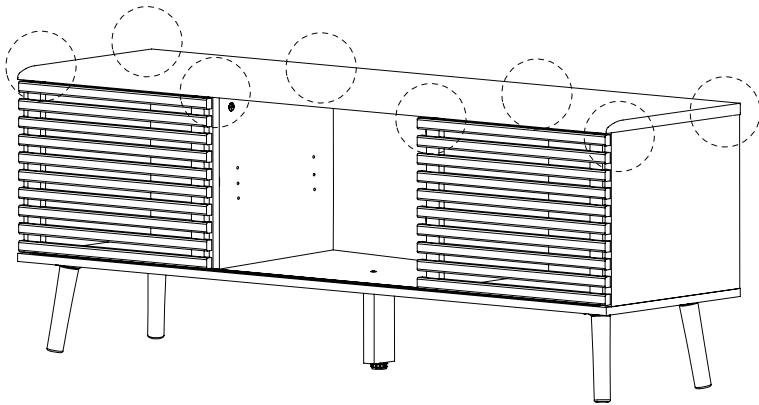


15

M

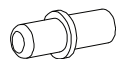


x 8

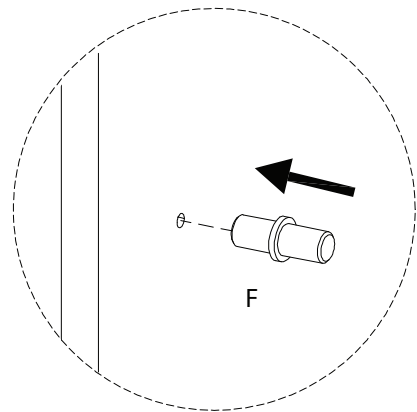
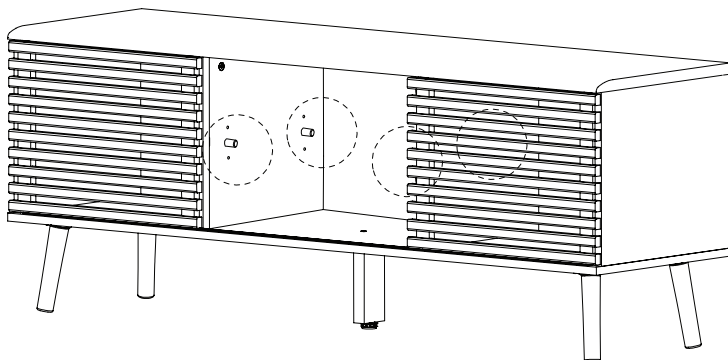


16

F

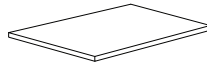


x 4



17

11



x 1

