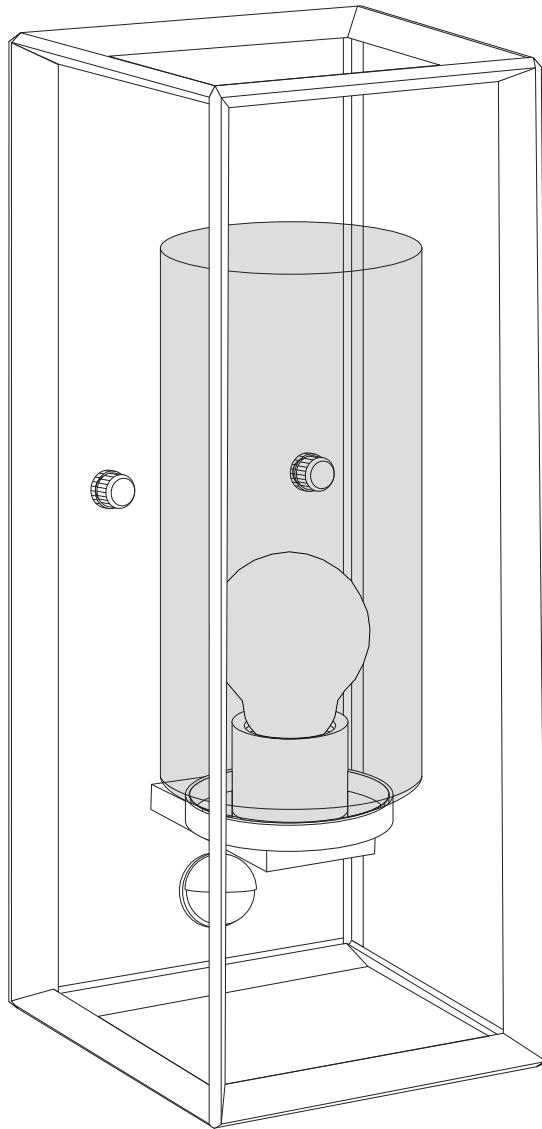
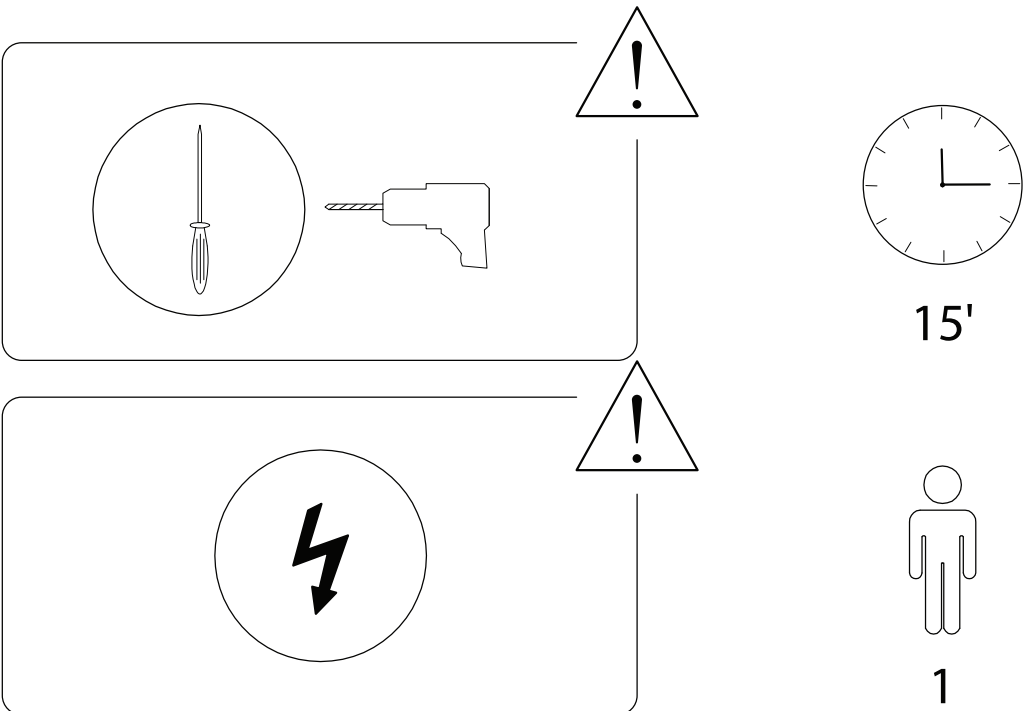
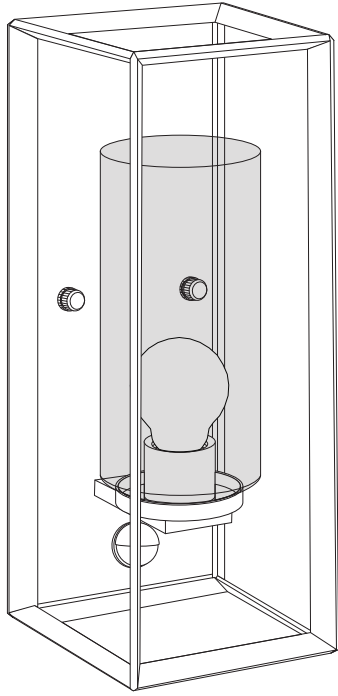
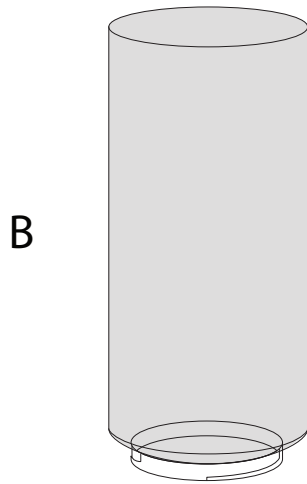


BELTIE

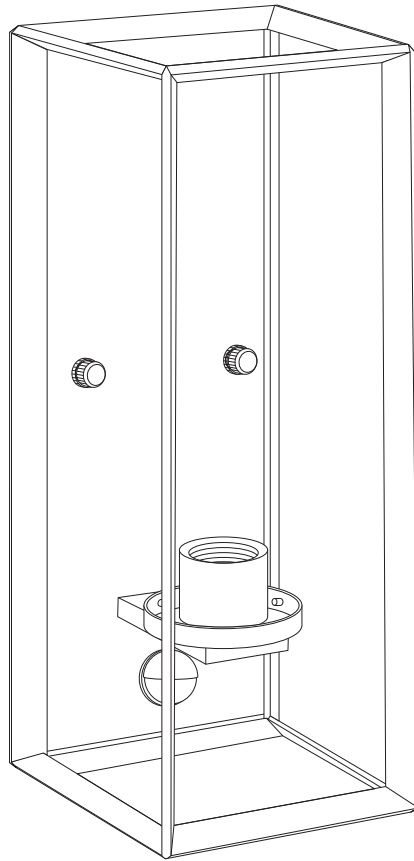




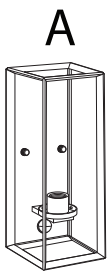
1/5



B



A



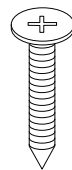
A

x 1



B

x 1



C

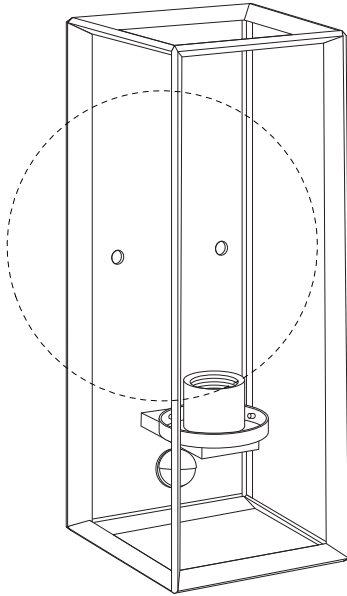
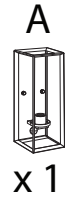
x 2



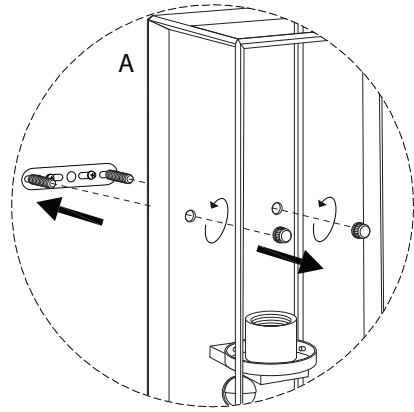
D

x 2

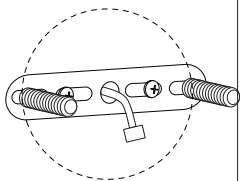
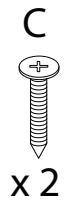
1



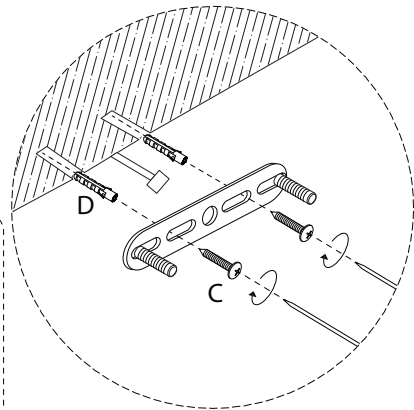
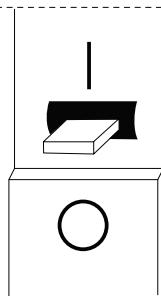
A



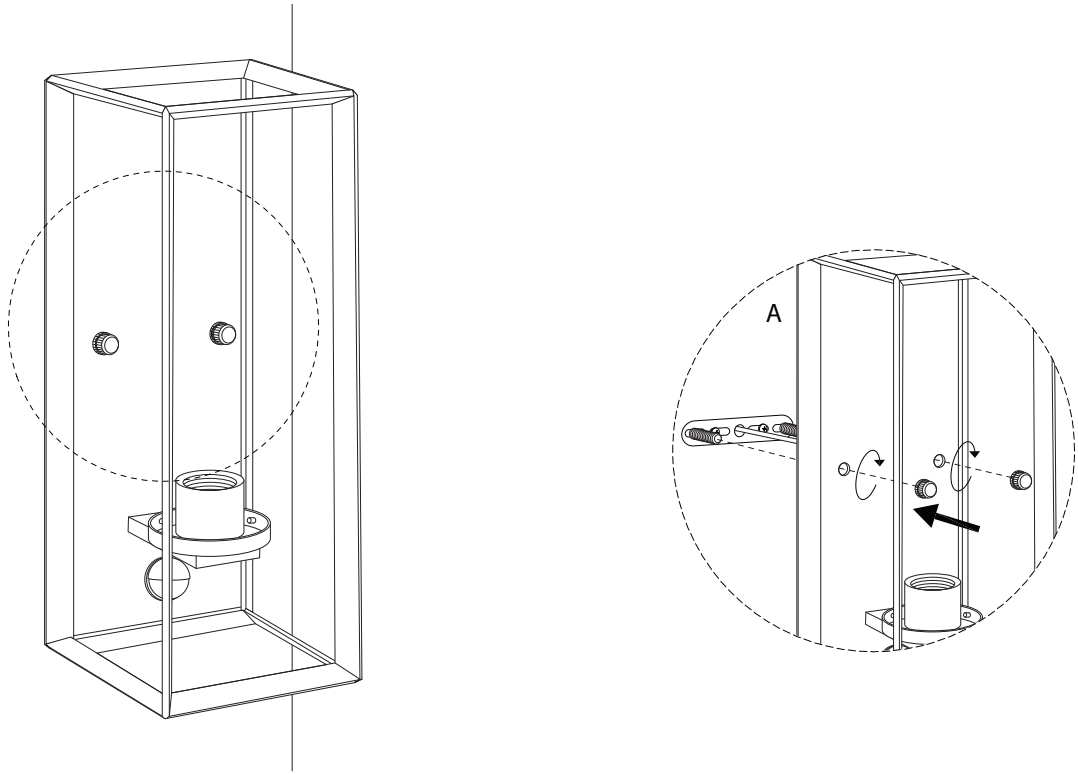
2



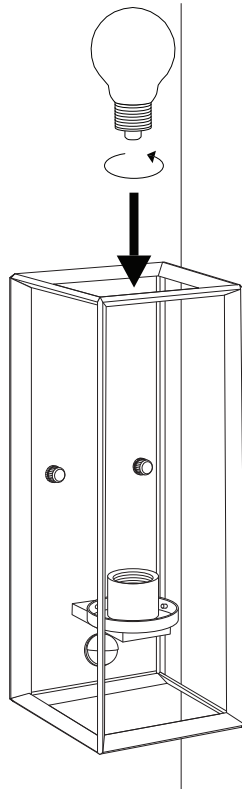
OFF




3



4



5

B

x 1

