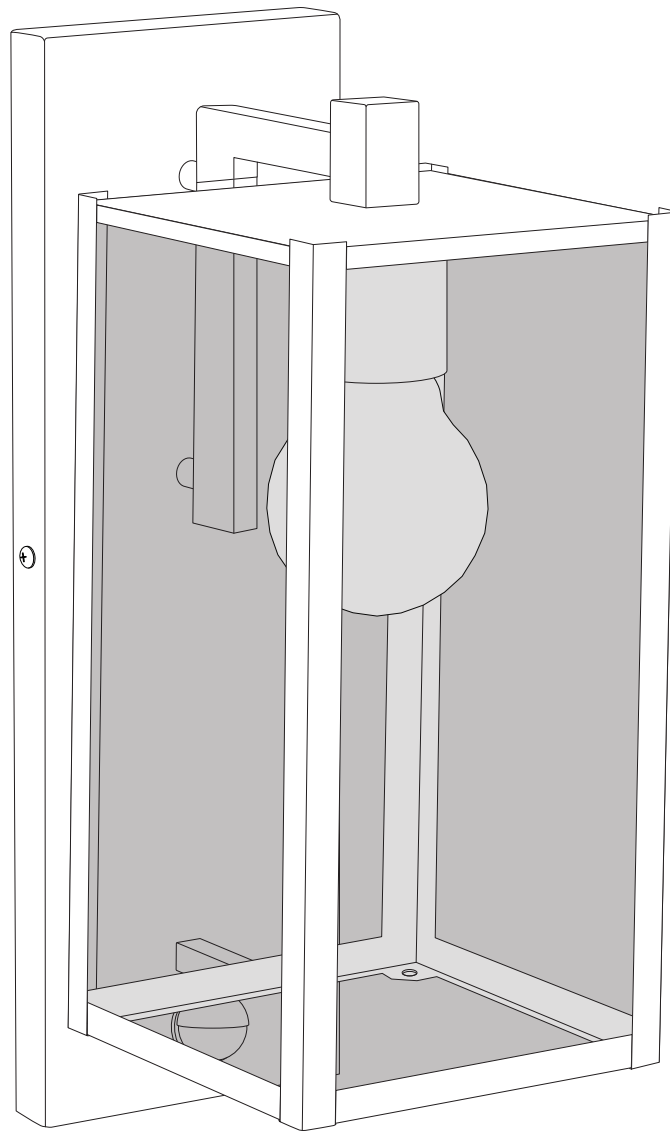
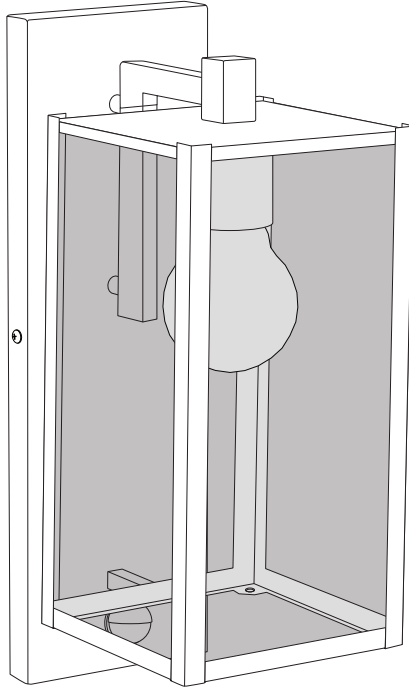
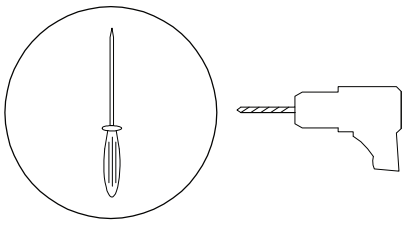

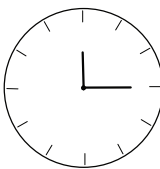
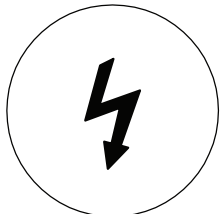

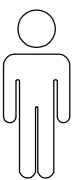


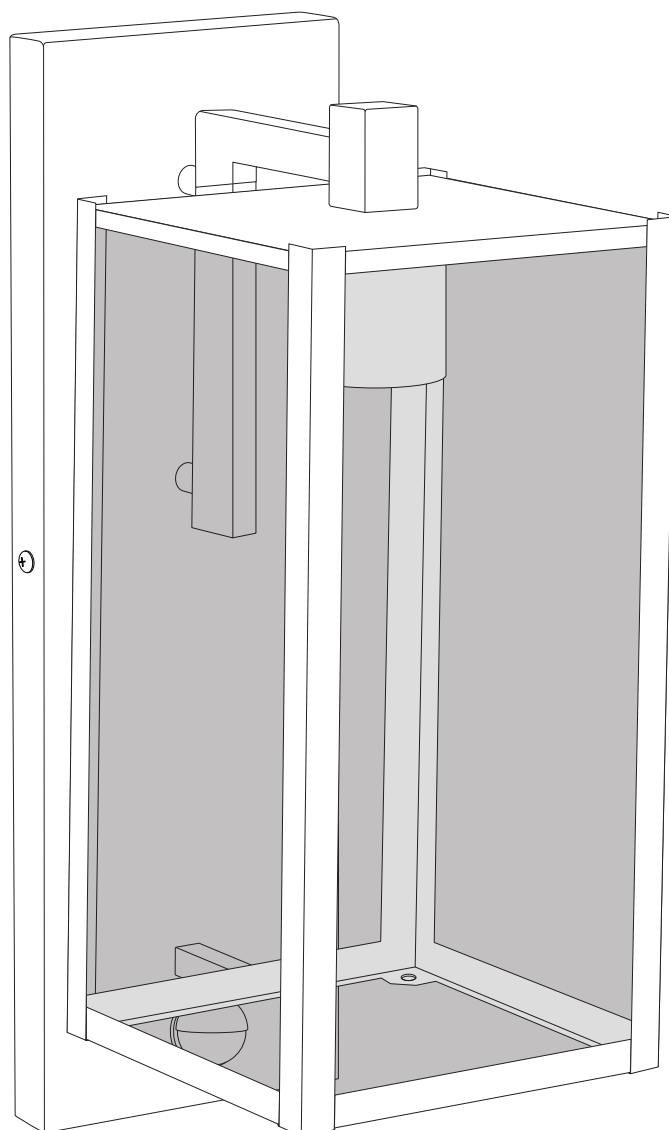
MEGGET



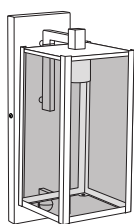


		
		15'
		
		1

A

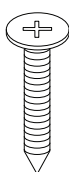


A



x 1

B



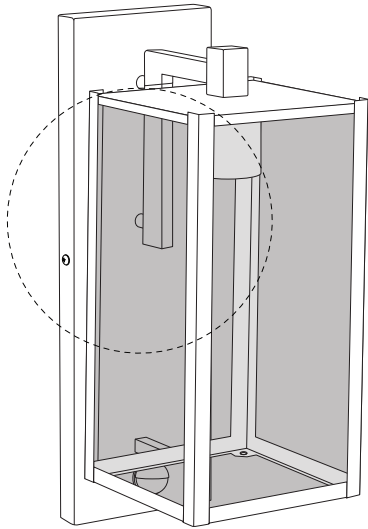
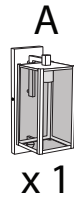
x 2

C



x 2

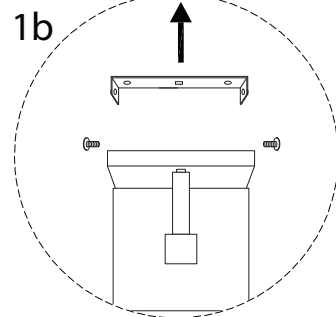
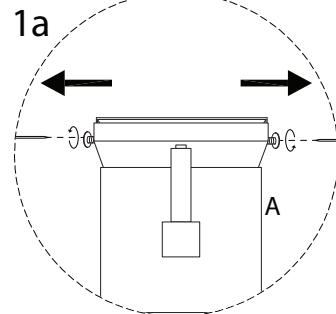
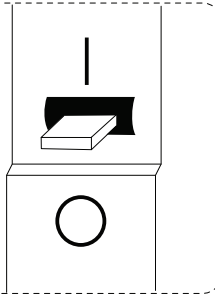
1



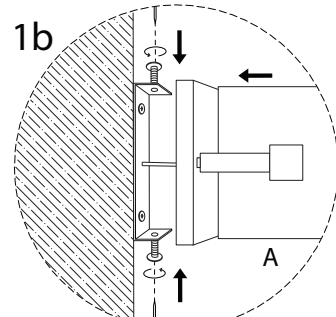
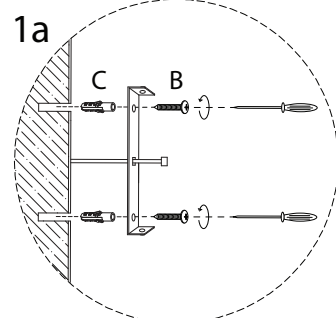
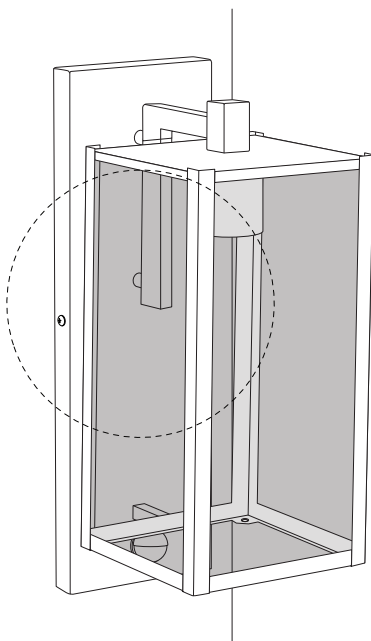
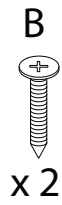
A



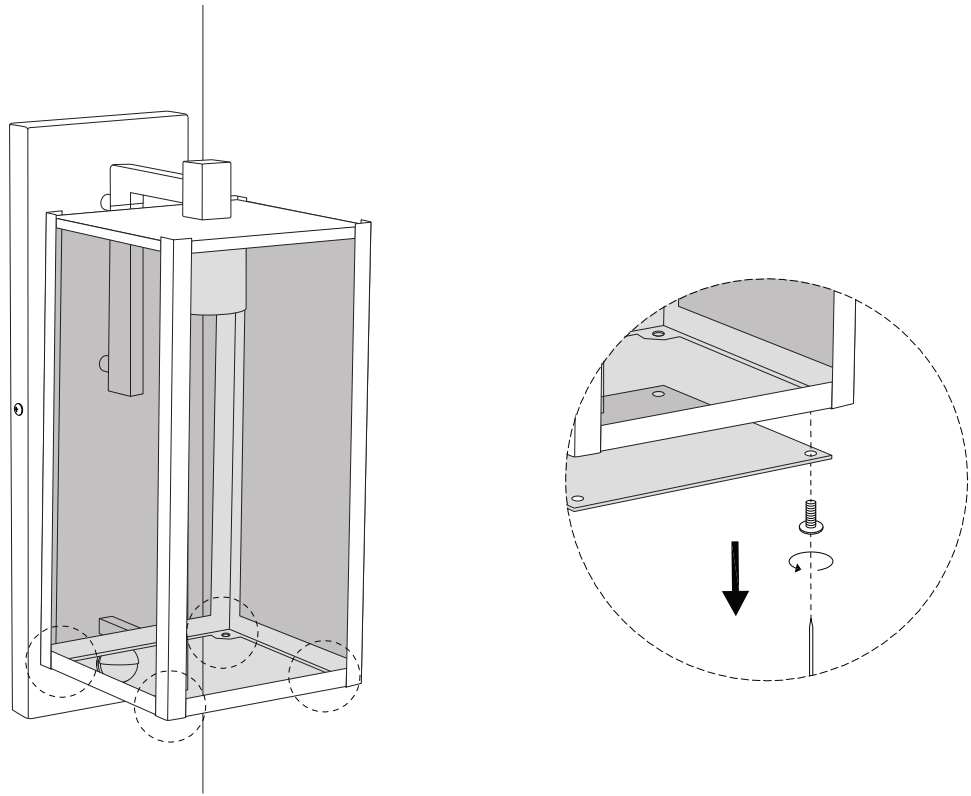
OFF



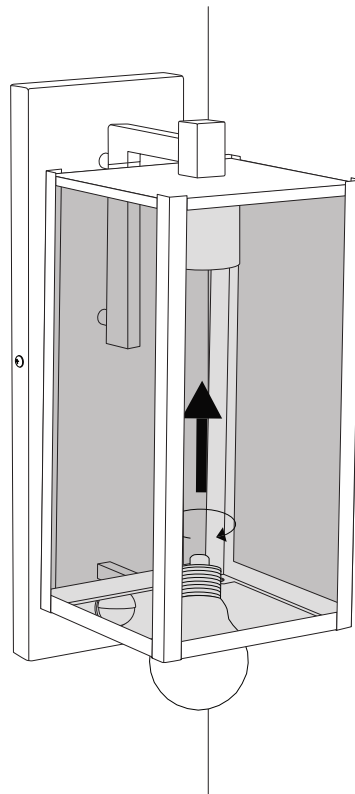
2



3



4



5

