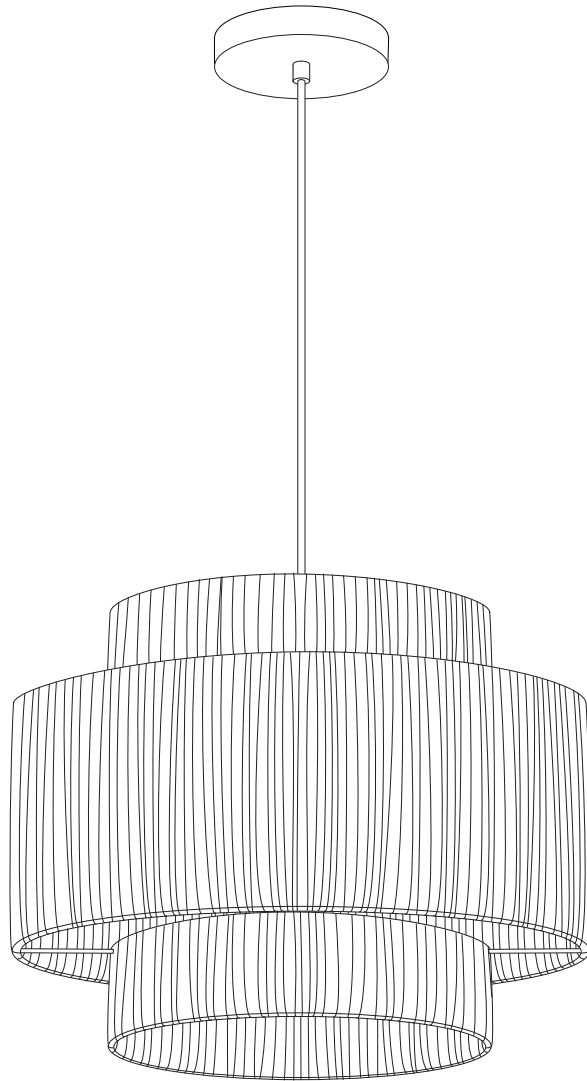
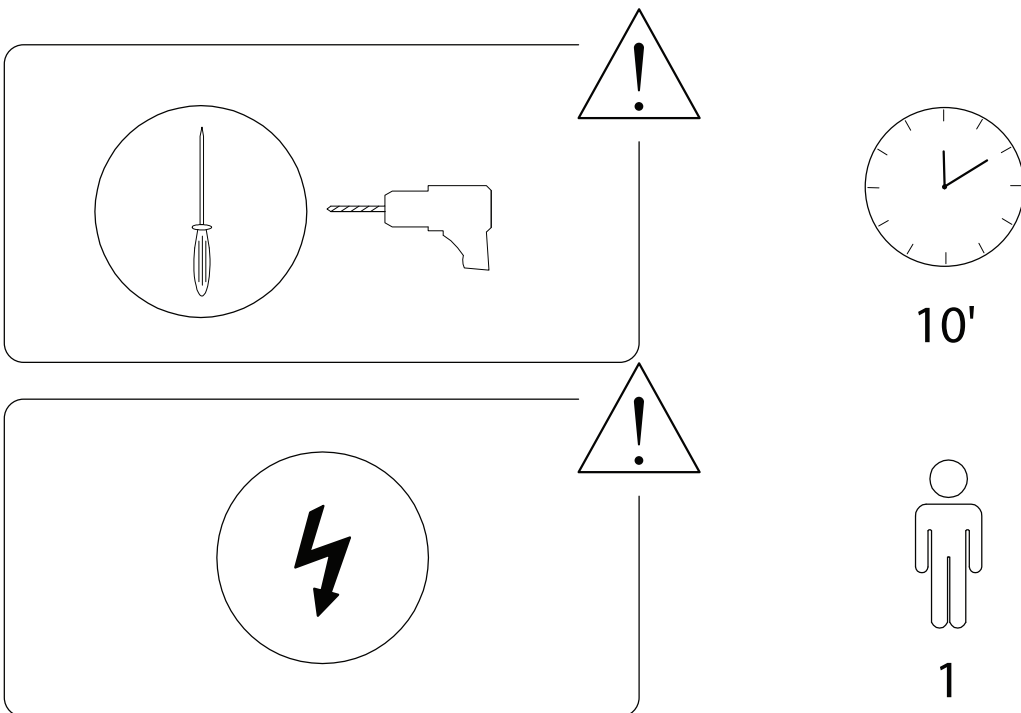
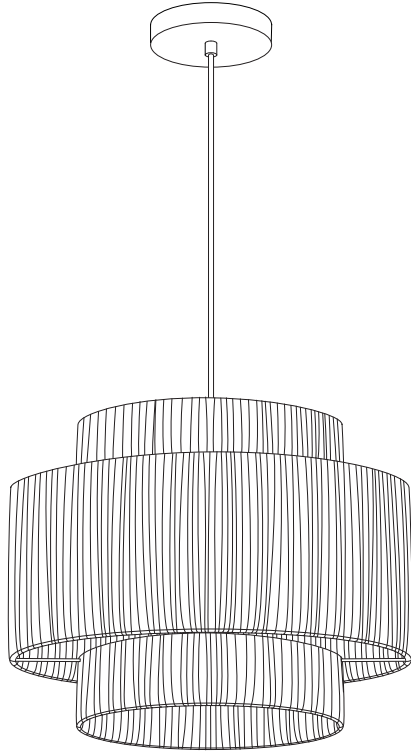
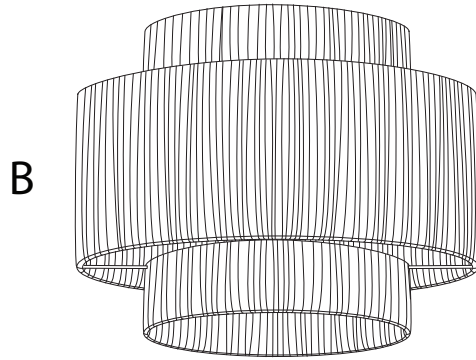
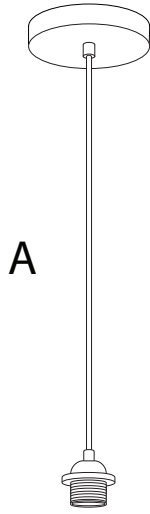



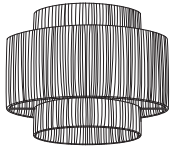
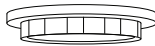
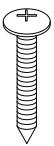
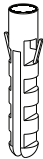
PALBRA





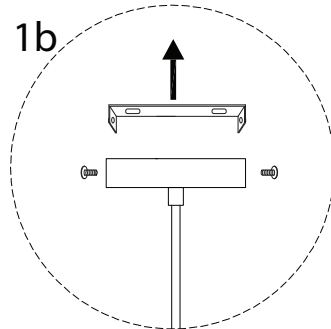
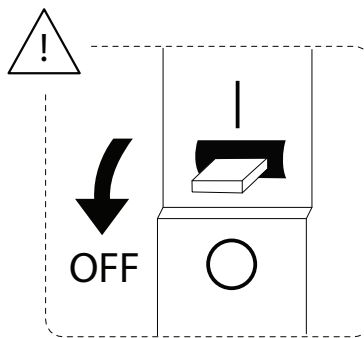
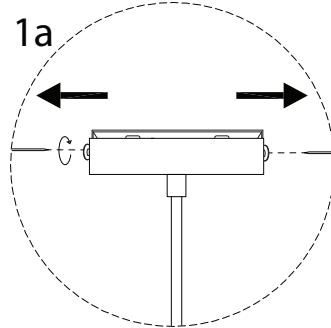
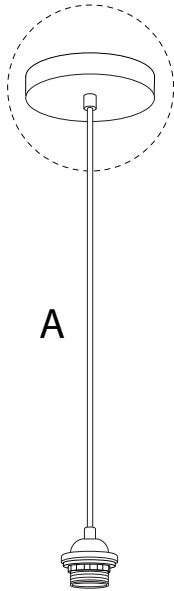
1/5



A	B	C	D	E
				
x 1	x 1	x 1	x 2	x 2

1

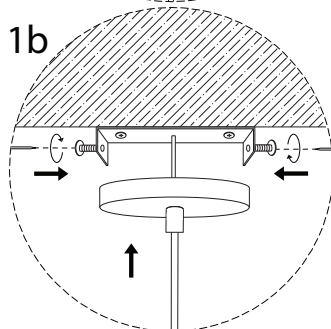
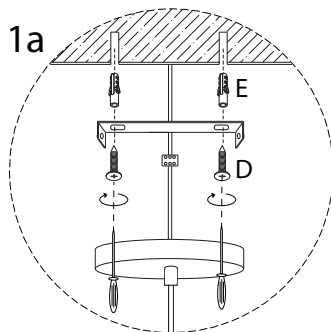
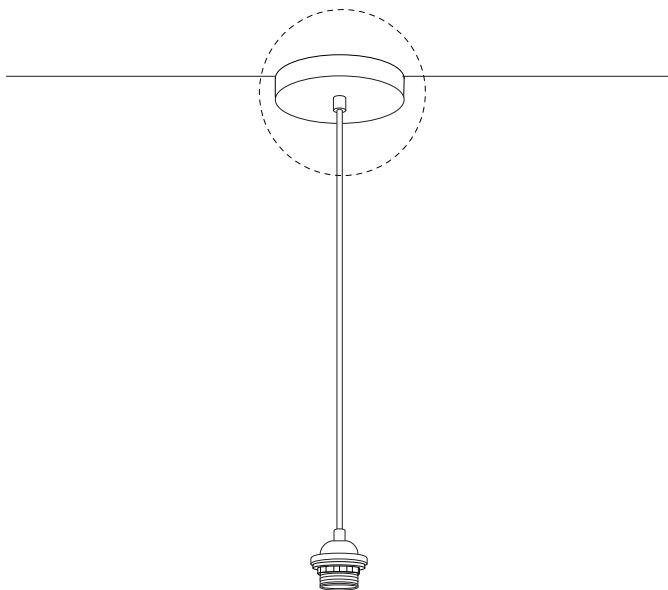
A
x 1



2

D
x 2

E
x 2



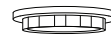
3

B

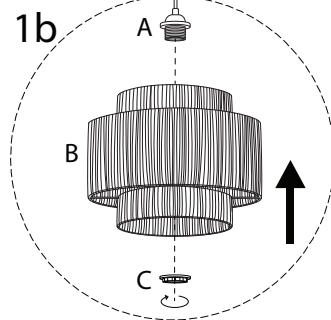
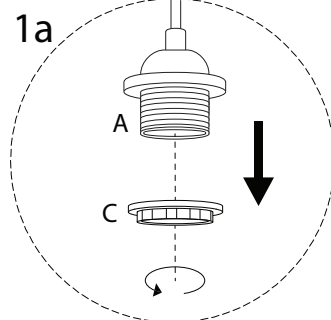
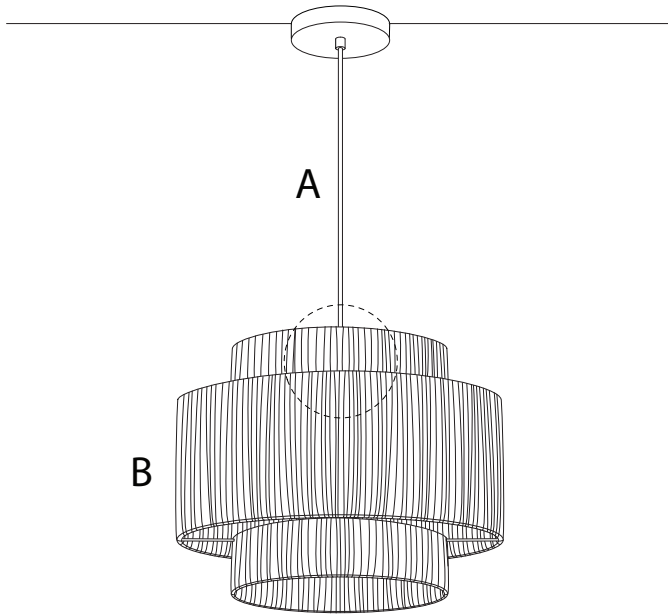


x 1

C



x 1



4

