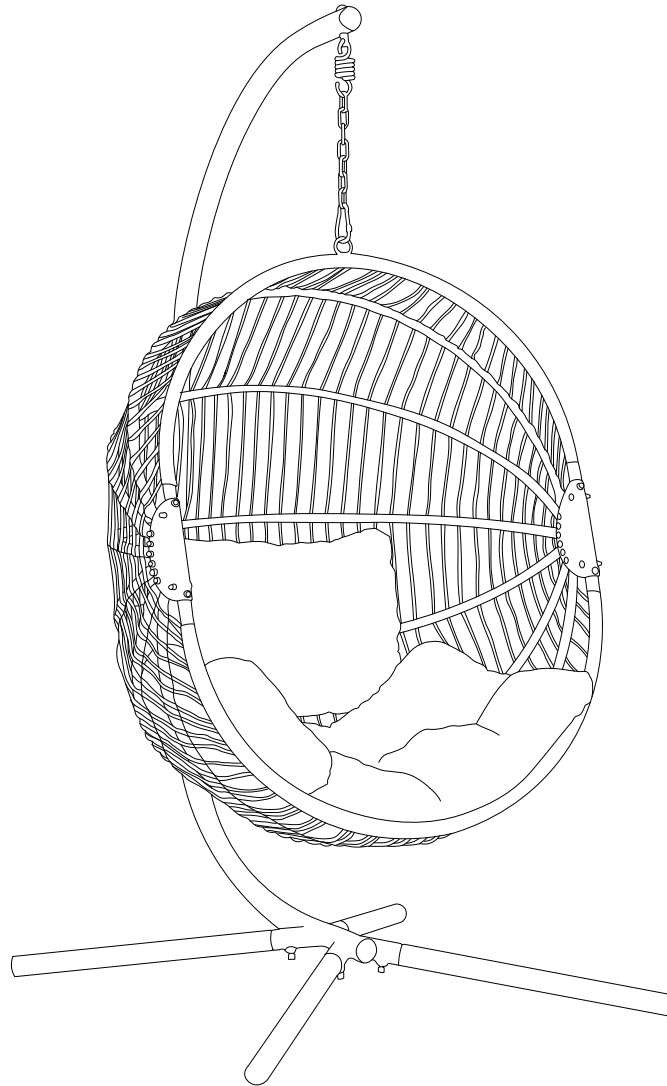
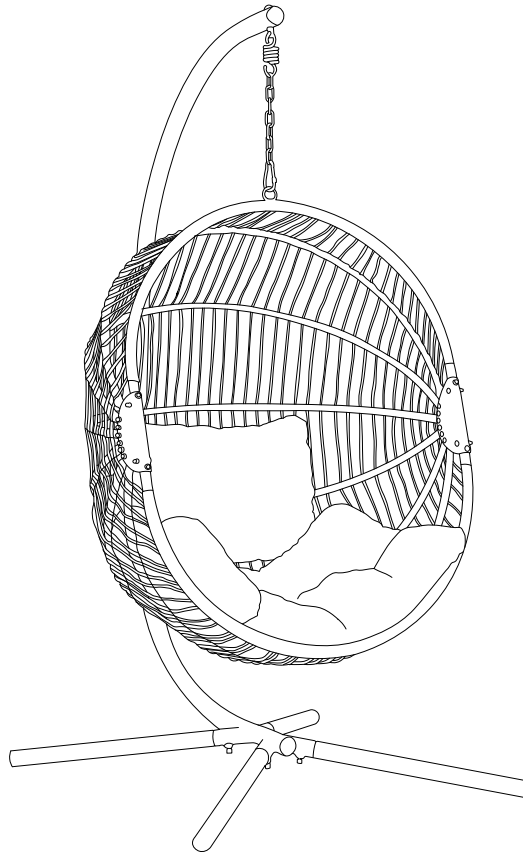
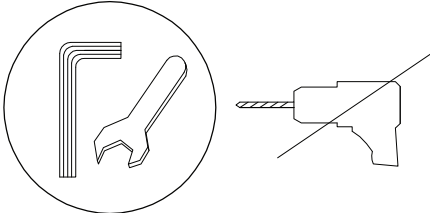

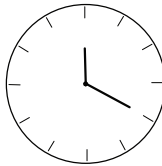
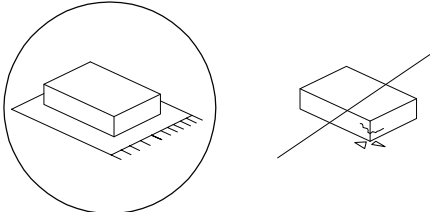

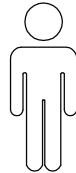
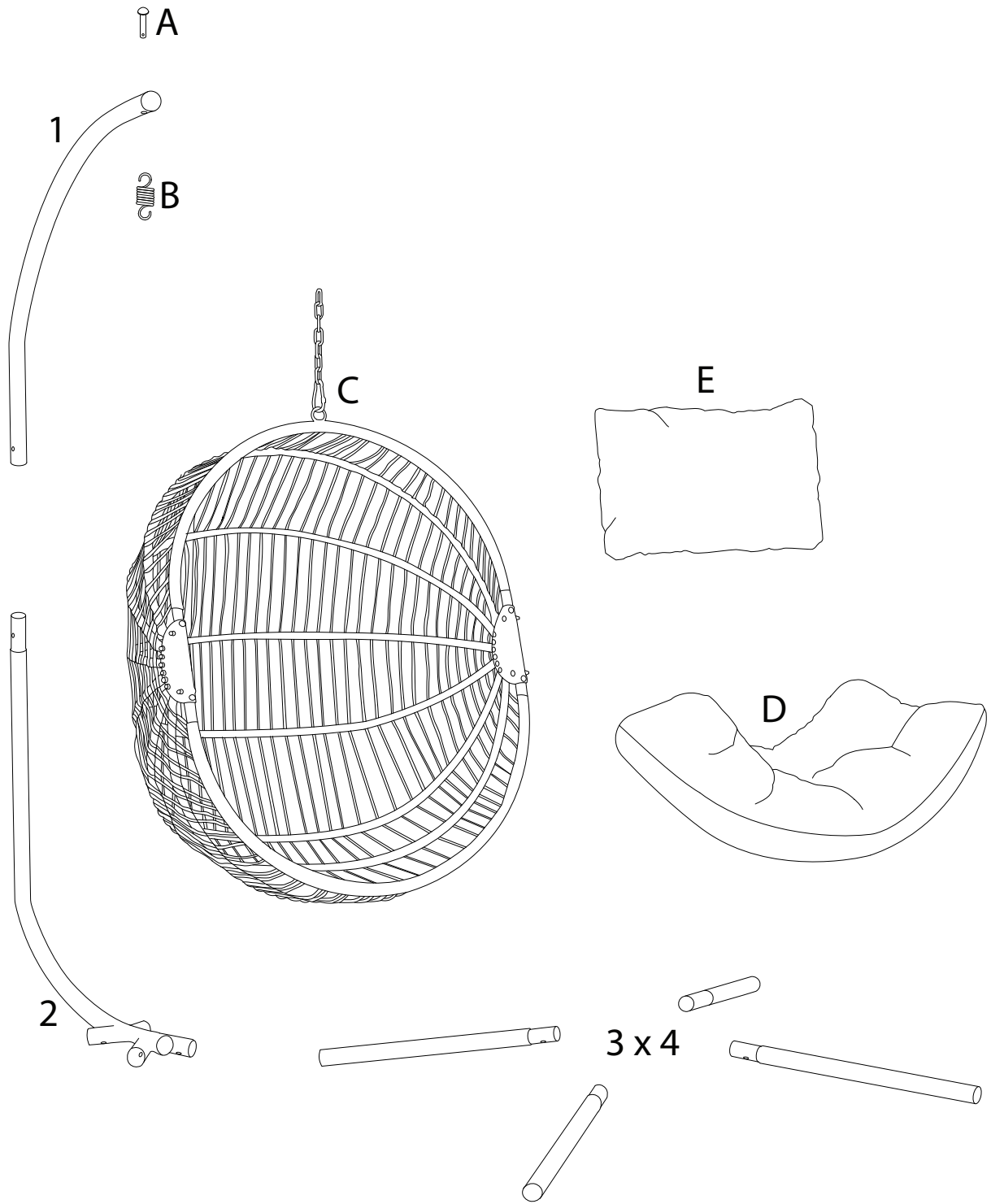



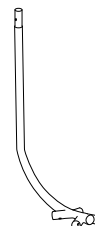

# ACRI

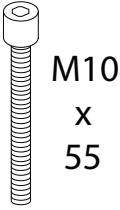
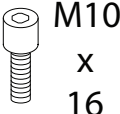
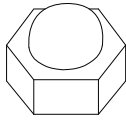

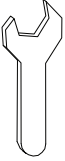

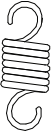
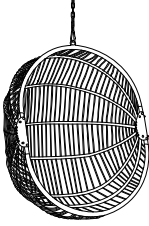
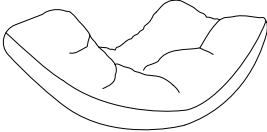
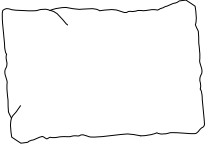
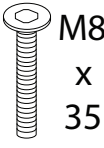





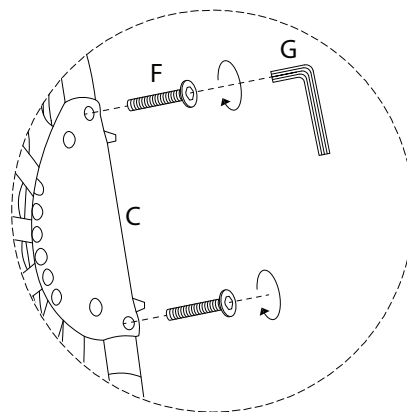
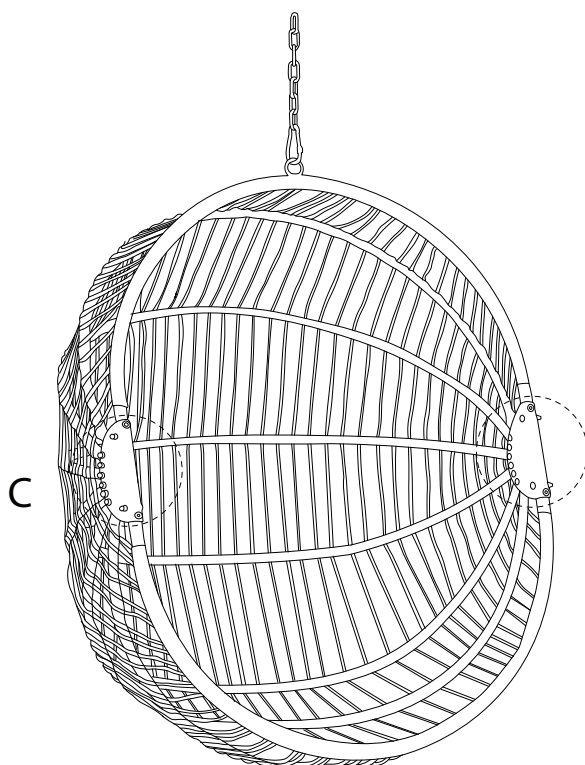
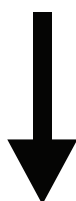
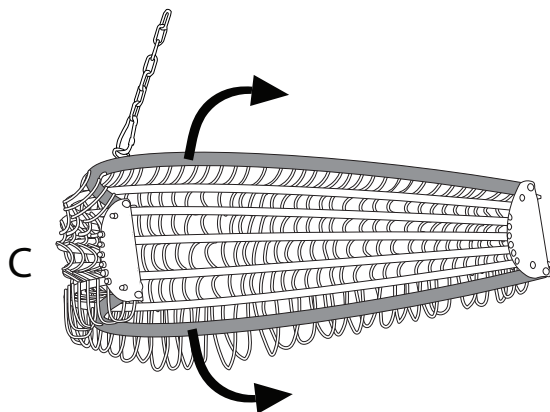
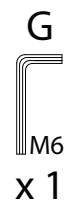
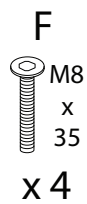
		
		<p>20'</p>
		
		<p>1</p>



<p>1</p>  <p>x 1</p>	<p>2</p>  <p>x 1</p>	<p>3</p>  <p>x 4</p>
---------------------------------------------------------------------------------------------------------	---------------------------------------------------------------------------------------------------------	-----------------------------------------------------------------------------------------------------------

<p>4</p>  <p>M10 x 55</p> <p>x 1</p>	<p>5</p>  <p>M10 x 16</p> <p>x 4</p>	<p>6</p>  <p>x 1</p>
<p>7</p>  <p>M8</p> <p>x 1</p>	<p>8</p>  <p>x 1</p>	<p>A</p>  <p>x 1</p>
<p>B</p>  <p>x 1</p>	<p>C</p>  <p>x 1</p>	<p>D</p>  <p>x 1</p>
<p>E</p>  <p>x 1</p>	<p>F</p>  <p>M8 x 35</p> <p>x 4</p>	<p>G</p>  <p>M6</p> <p>x 1</p>

1



# 2

2



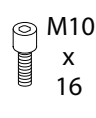
x 1

3



x 4

5

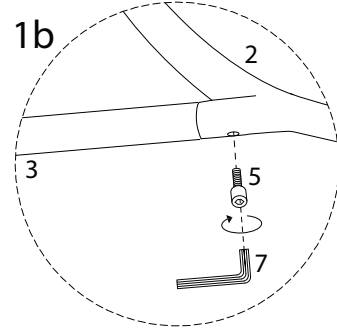
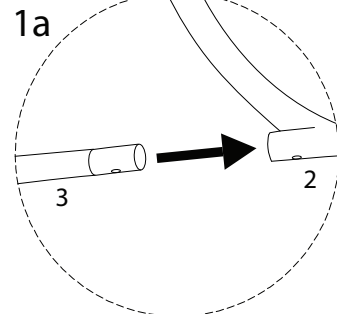
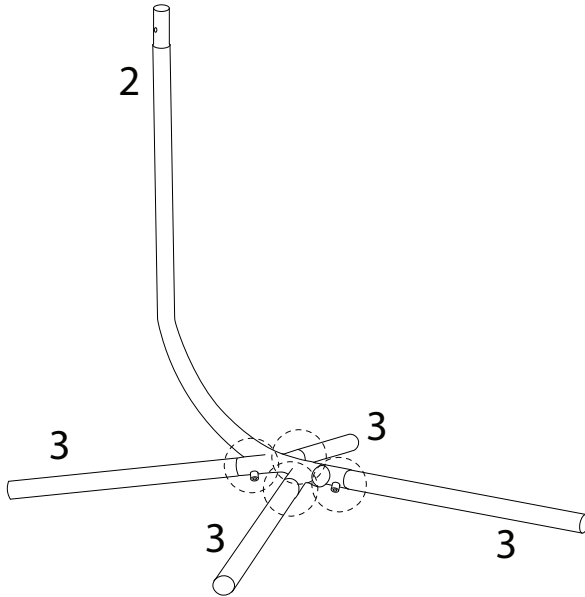


x 4

7



x 1



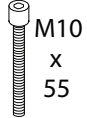
# 3

1



x 1

4



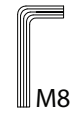
x 1

6



x 1

7

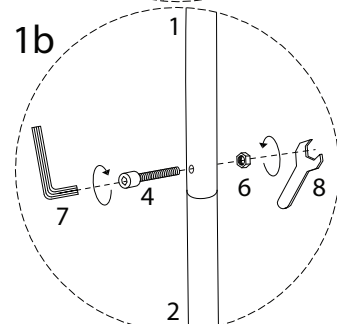
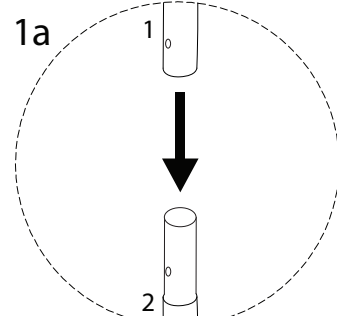
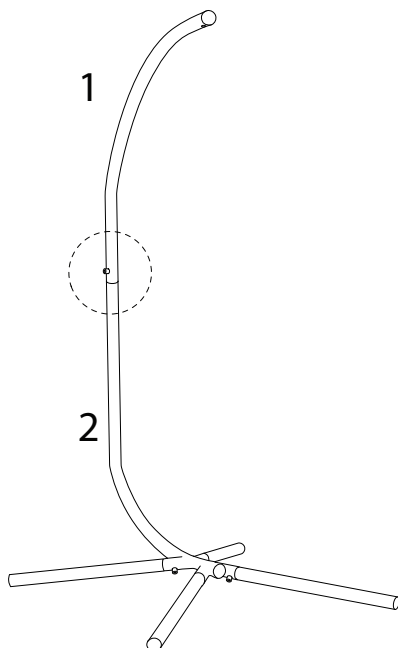


x 1

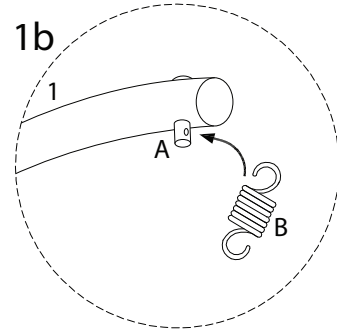
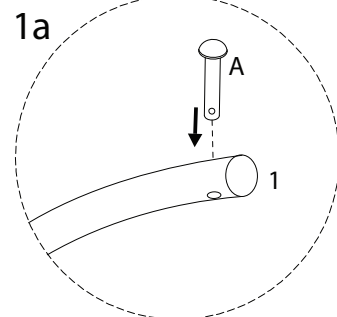
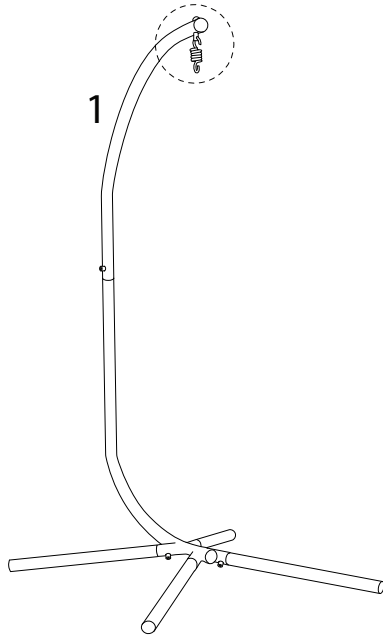
8



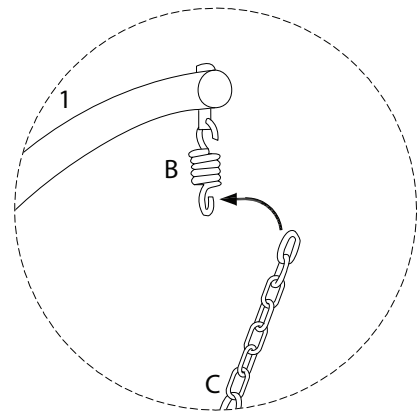
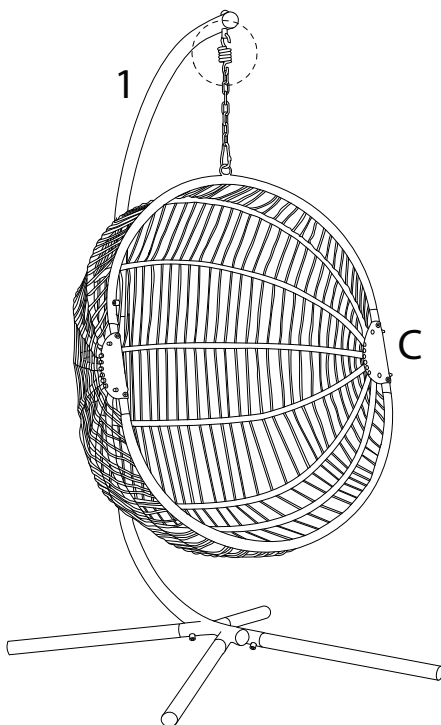
x 1



4



5



6

D



x 1

E



x 1

