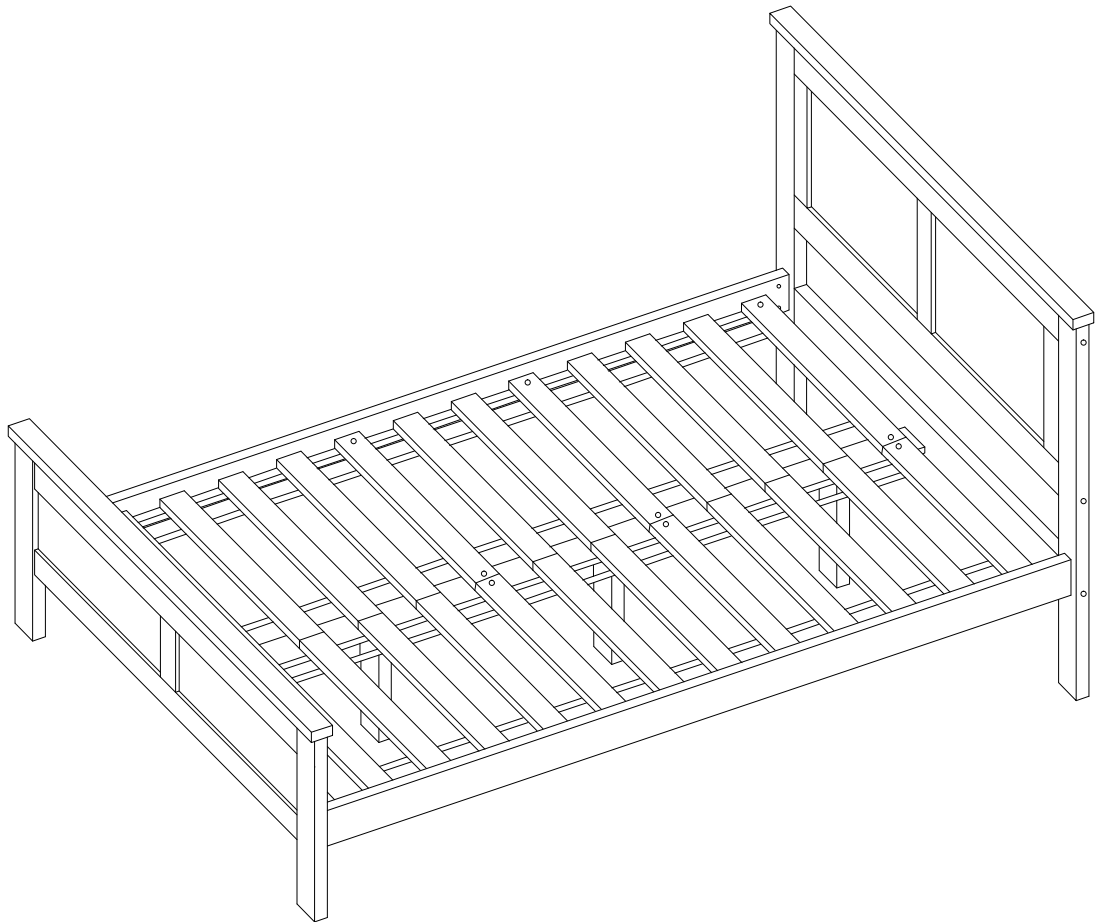
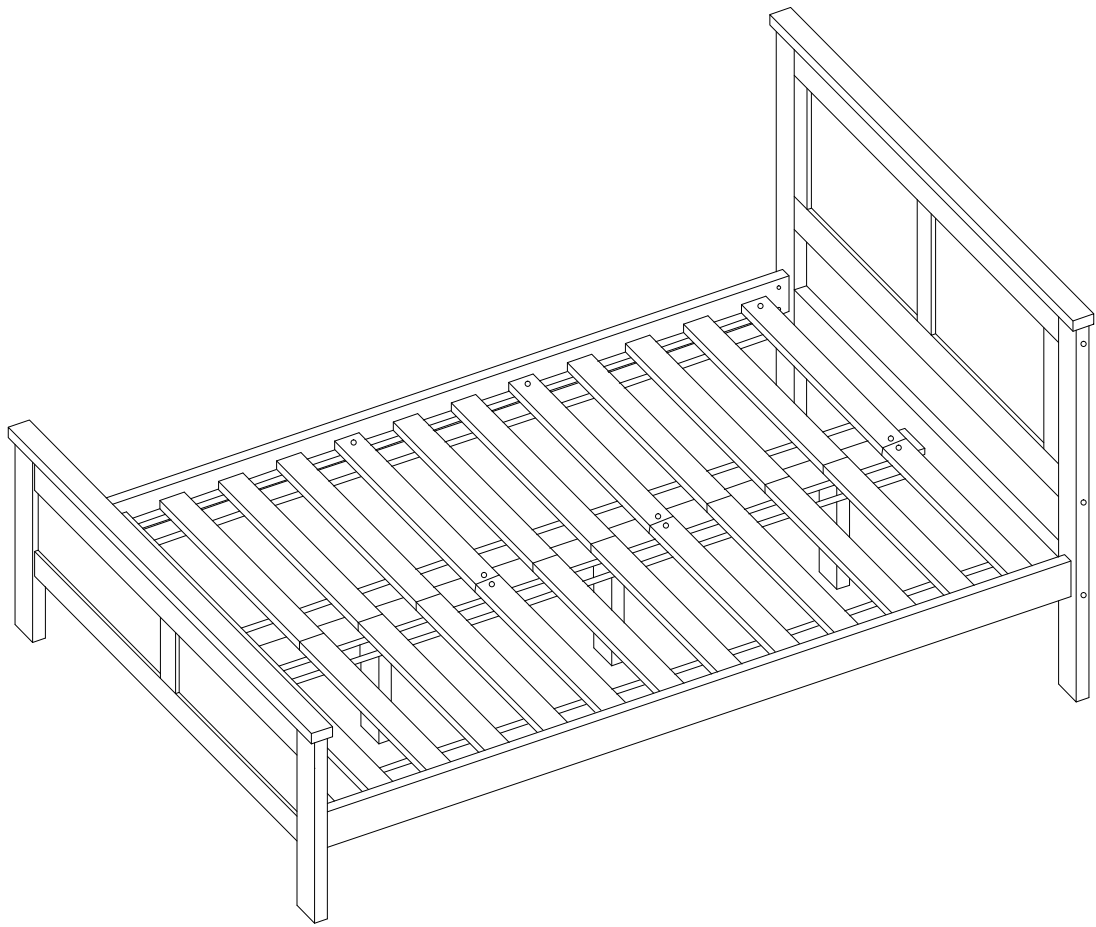
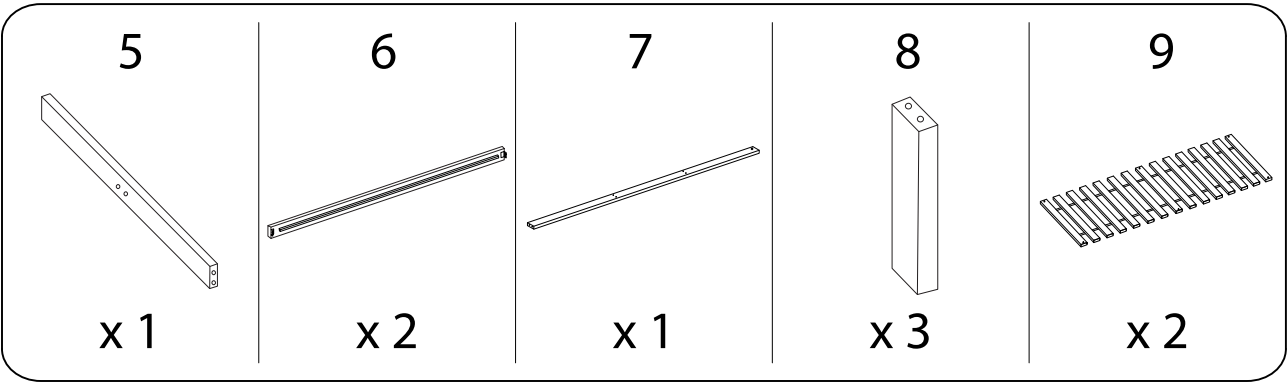
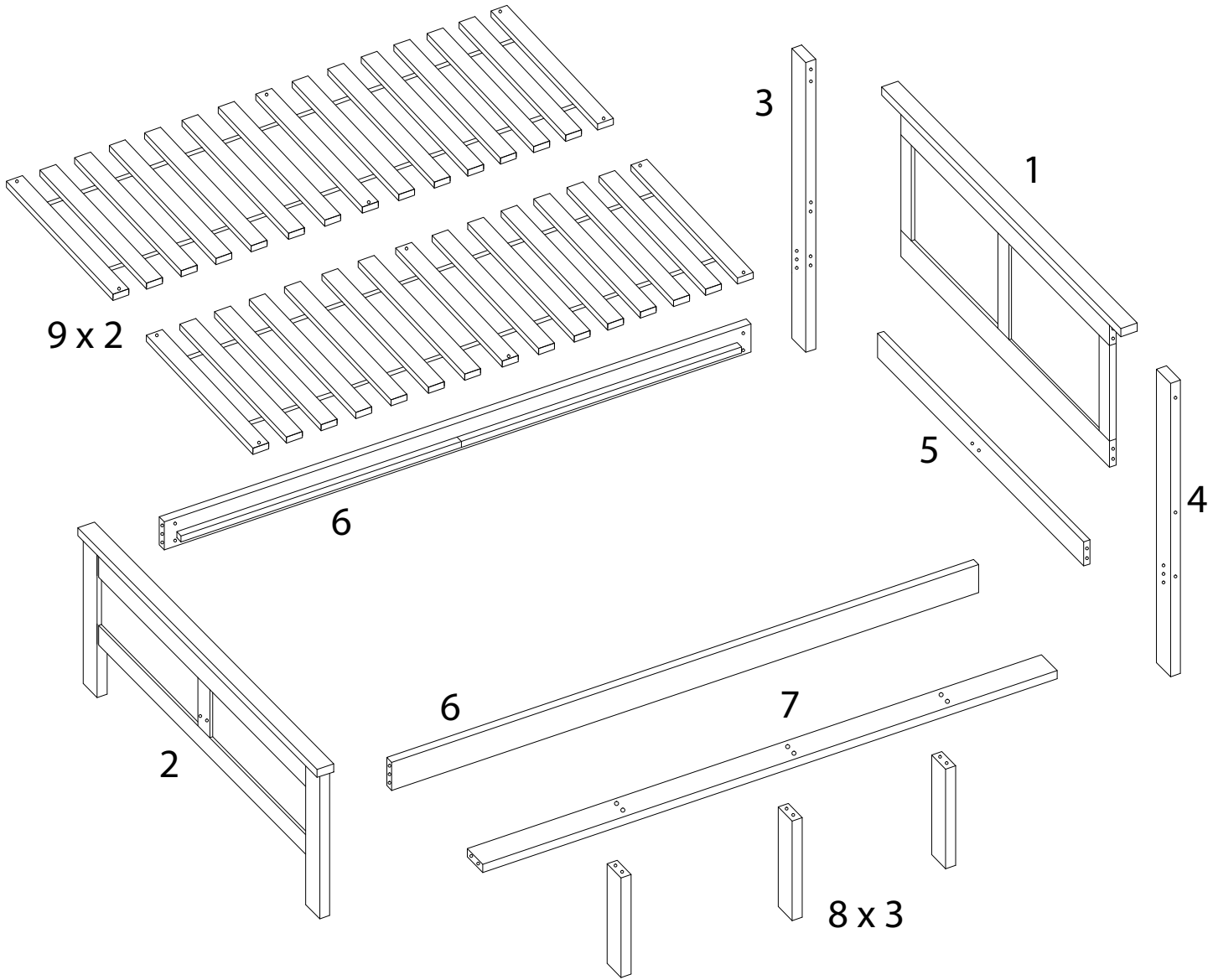
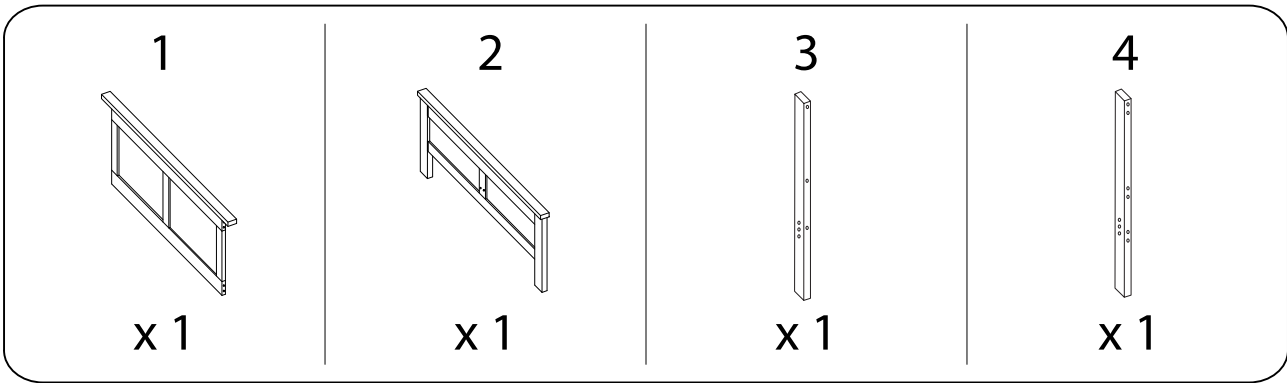


OLIVET

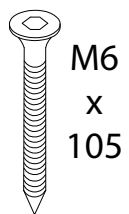




		60'
		2

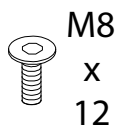


A



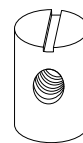
x 6

B



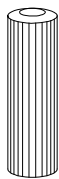
x 8

C



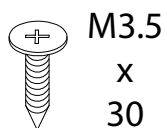
x 6

D



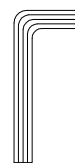
x 4

E



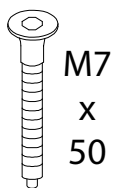
x 16

F



x 1

G



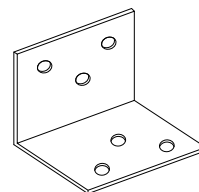
x 8

H



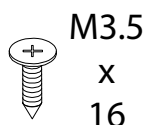
x 6

I



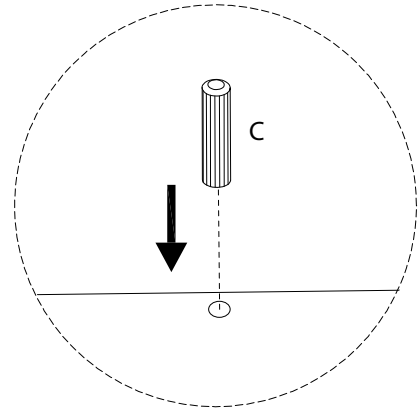
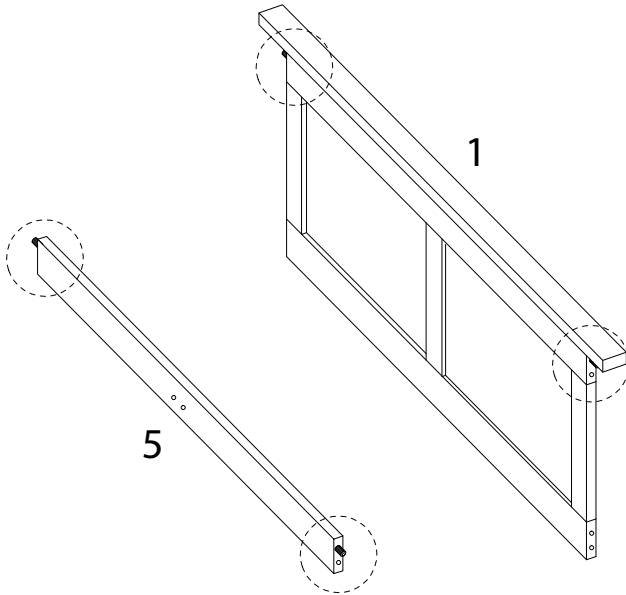
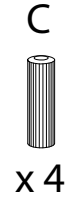
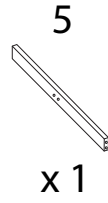
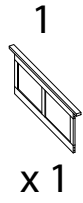
x 1

J

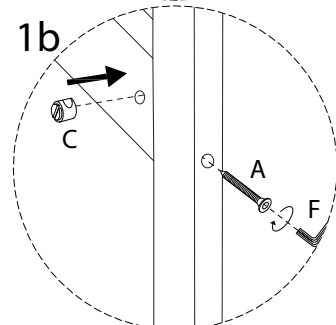
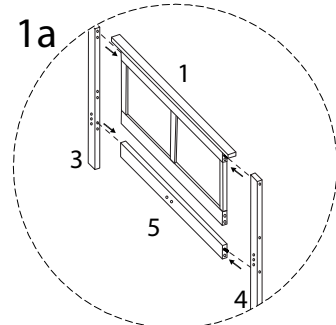
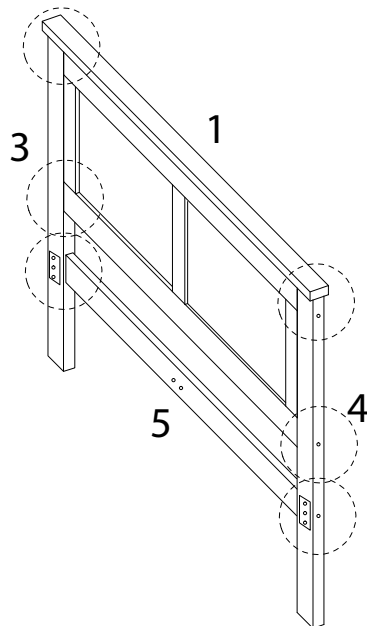
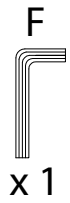
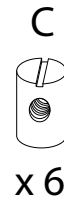
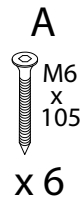
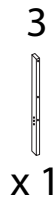


x 6

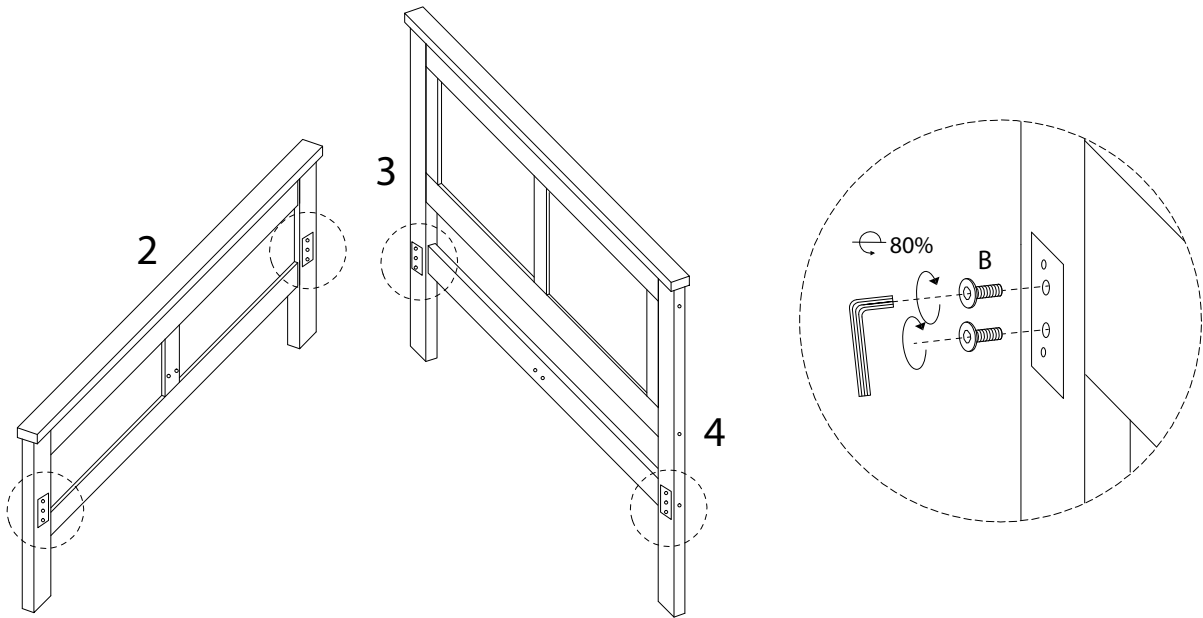
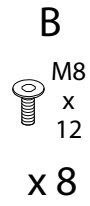
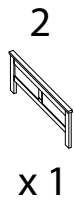
1



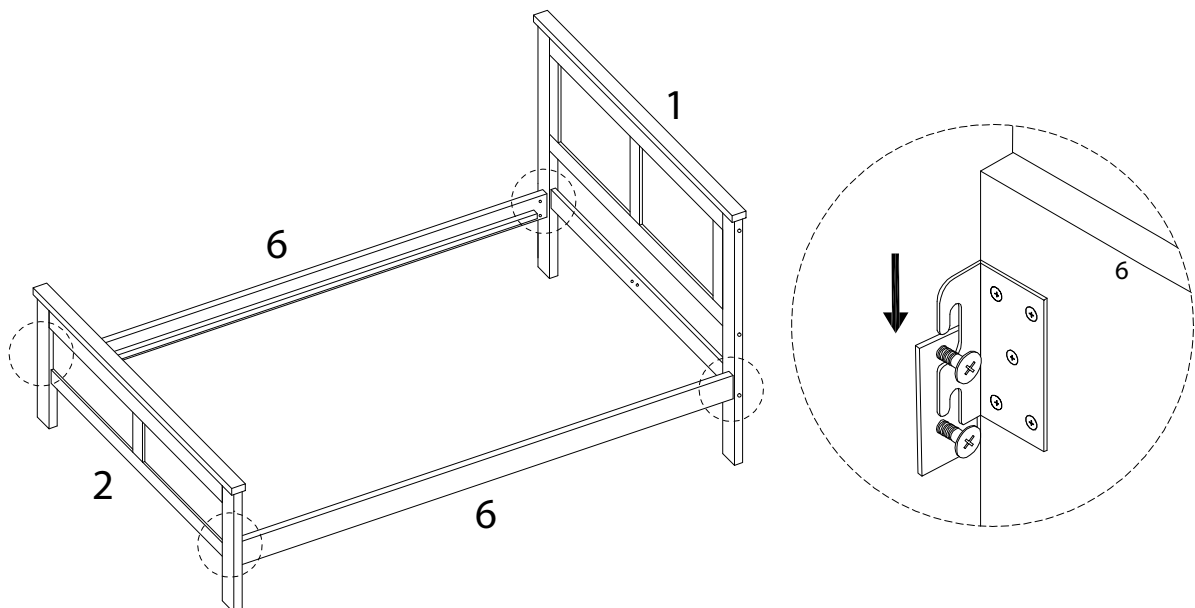
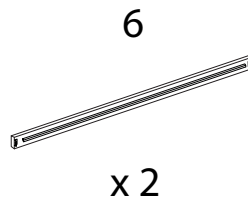
2



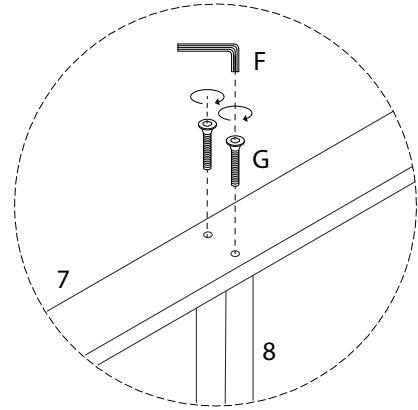
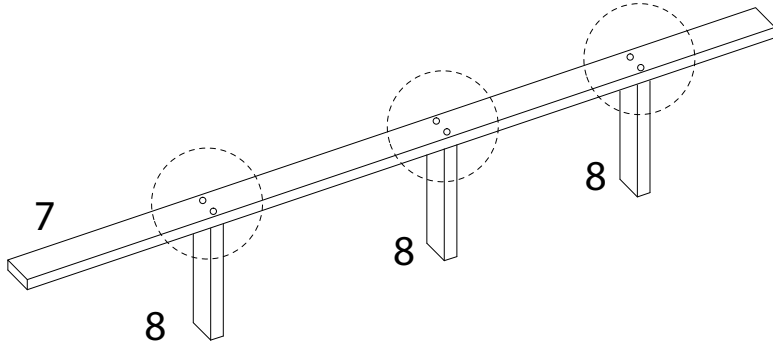
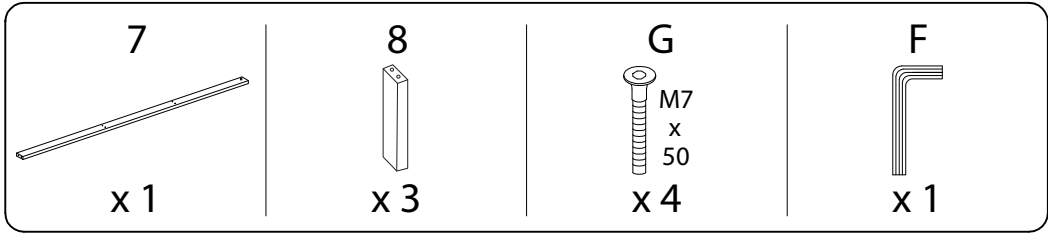
3



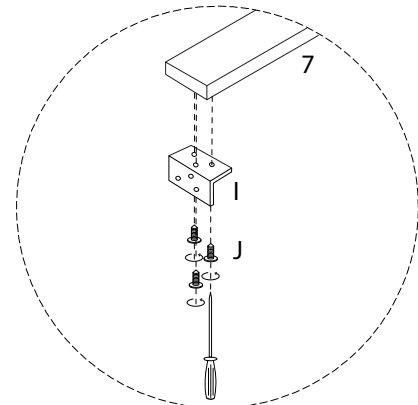
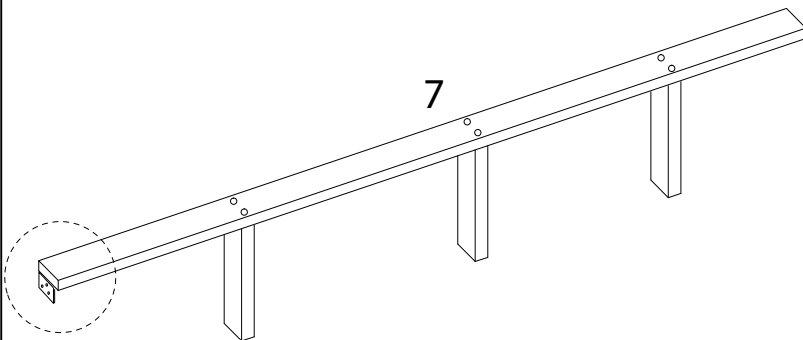
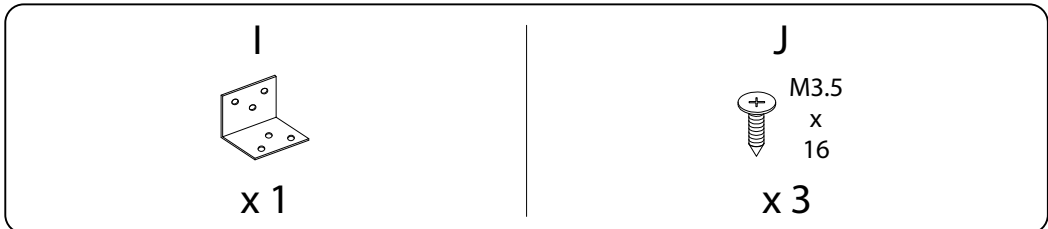
4



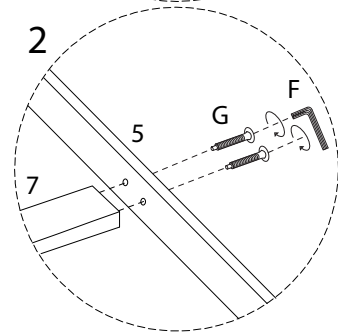
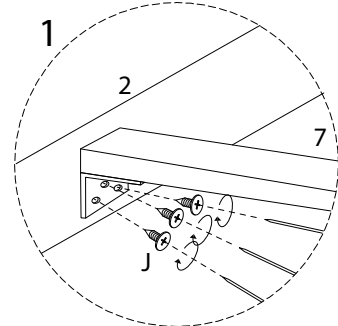
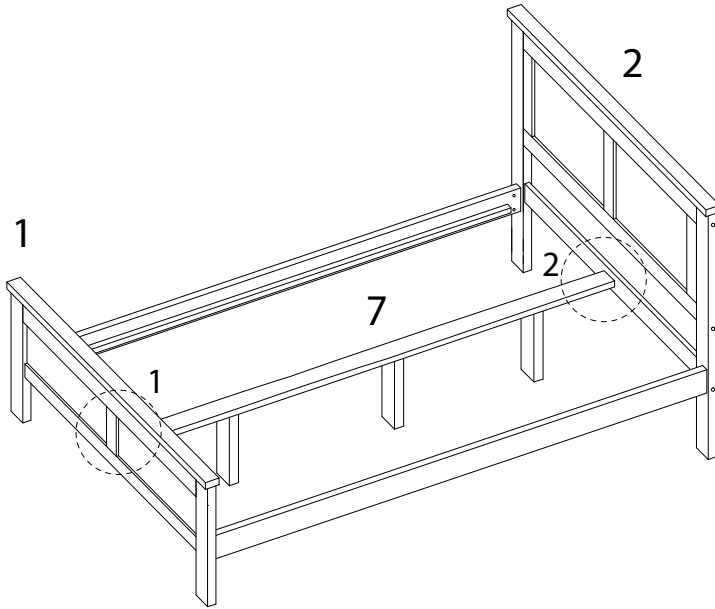
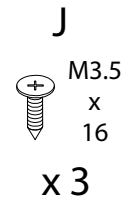
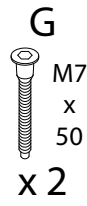
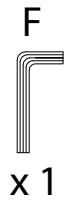
5



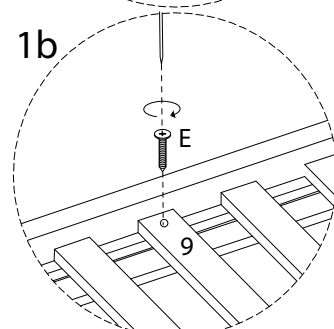
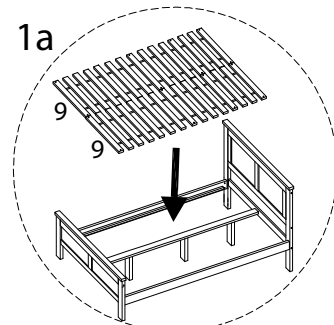
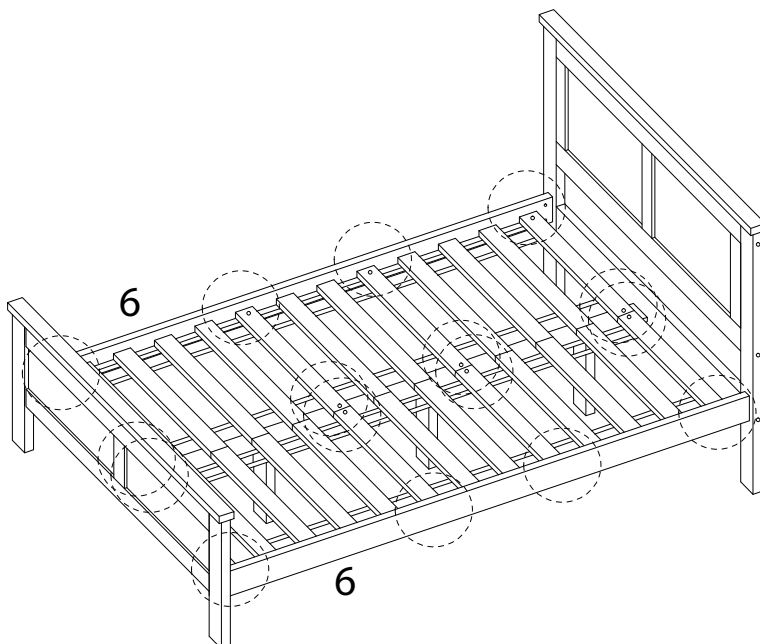
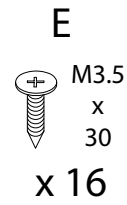
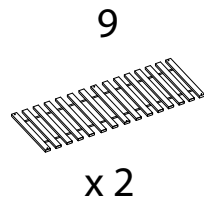
6



7



8



9

H



x 6

