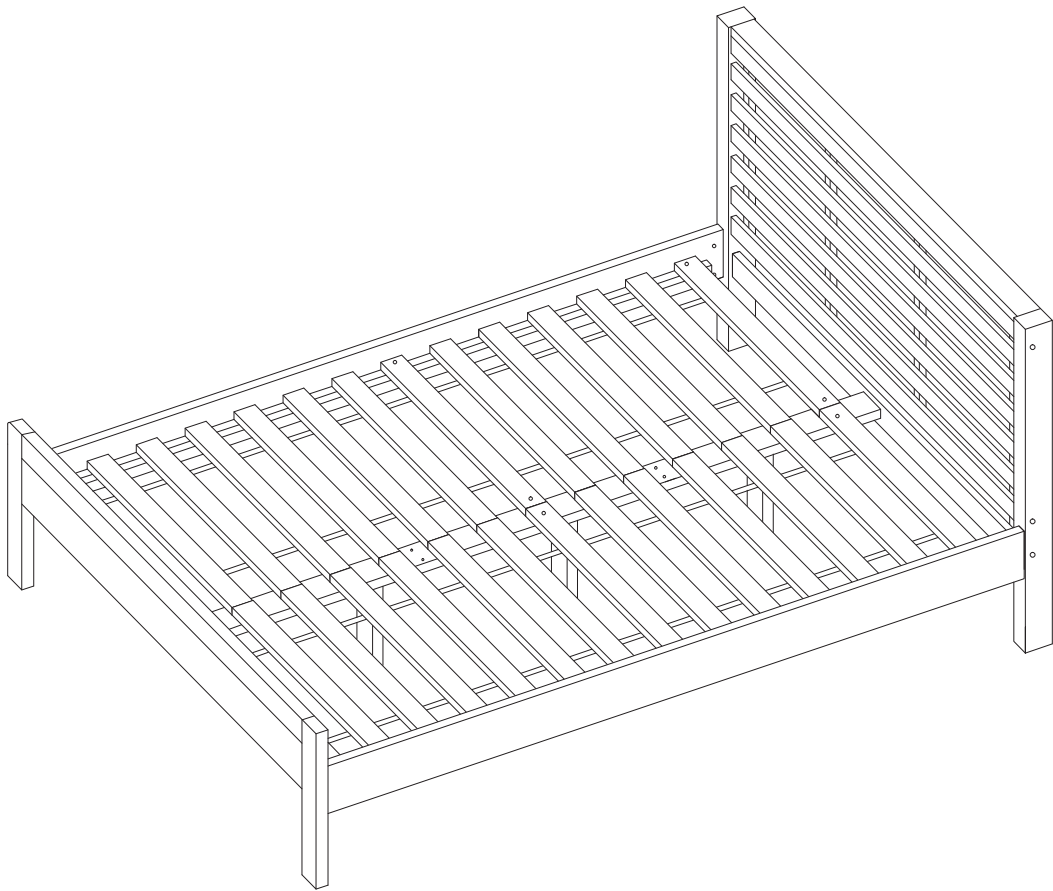
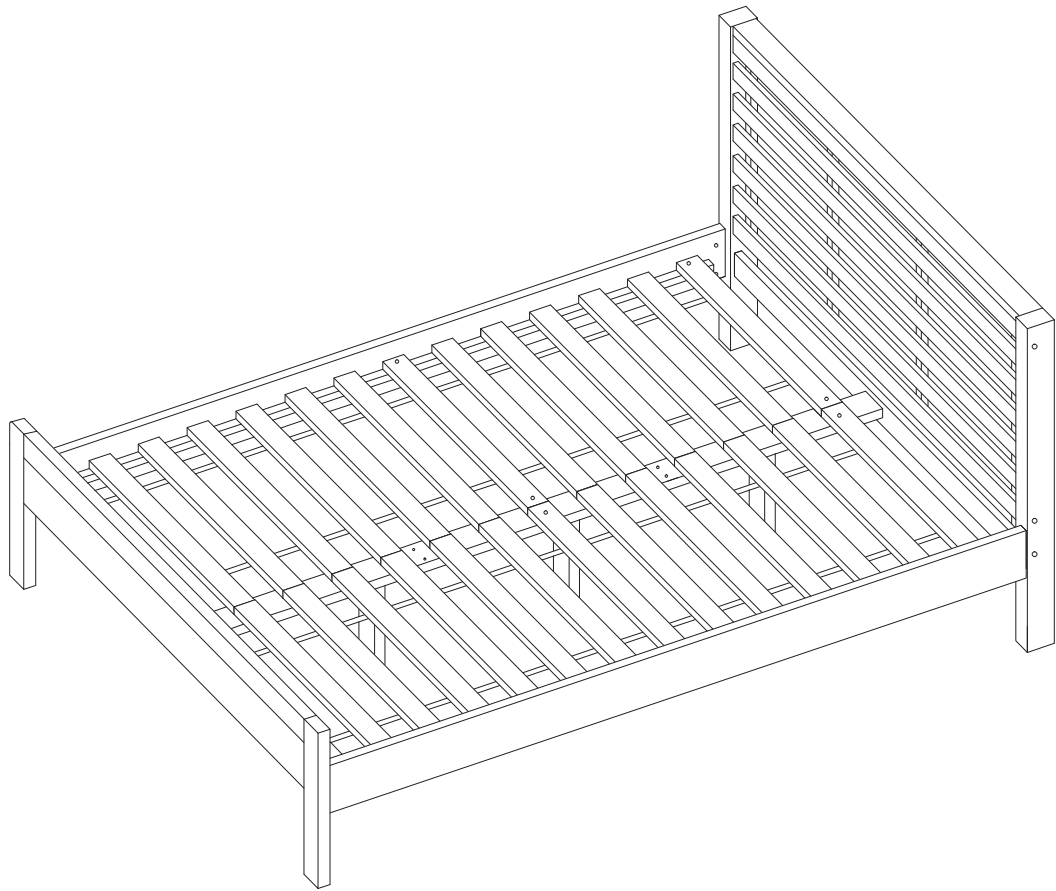
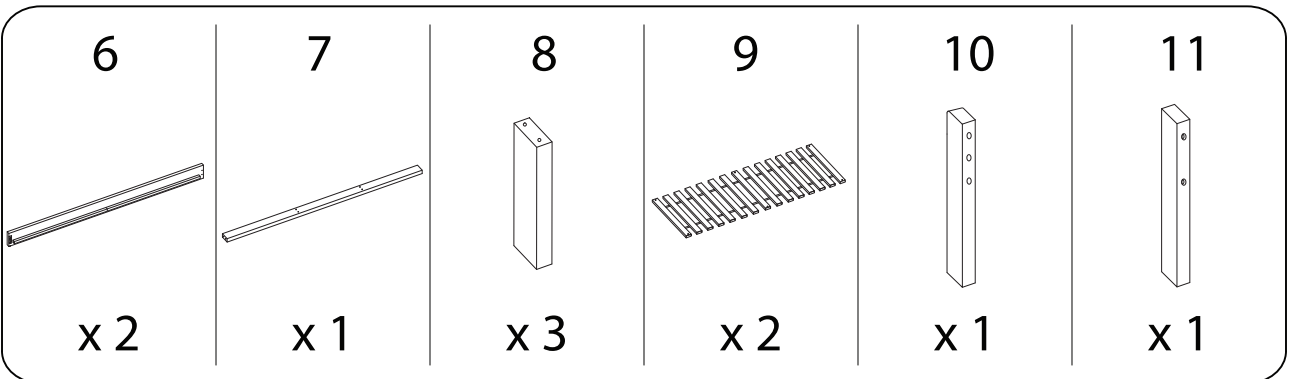
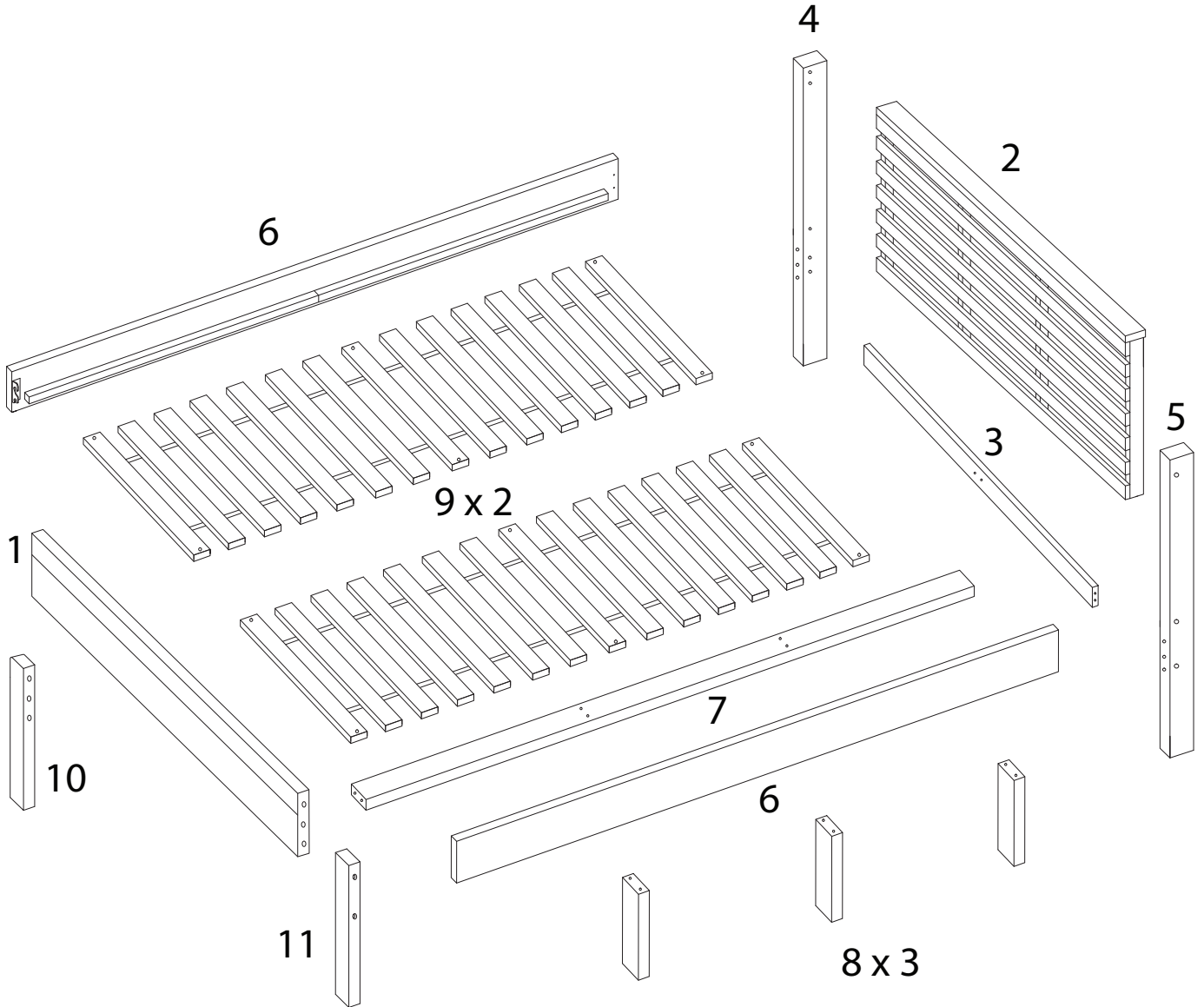
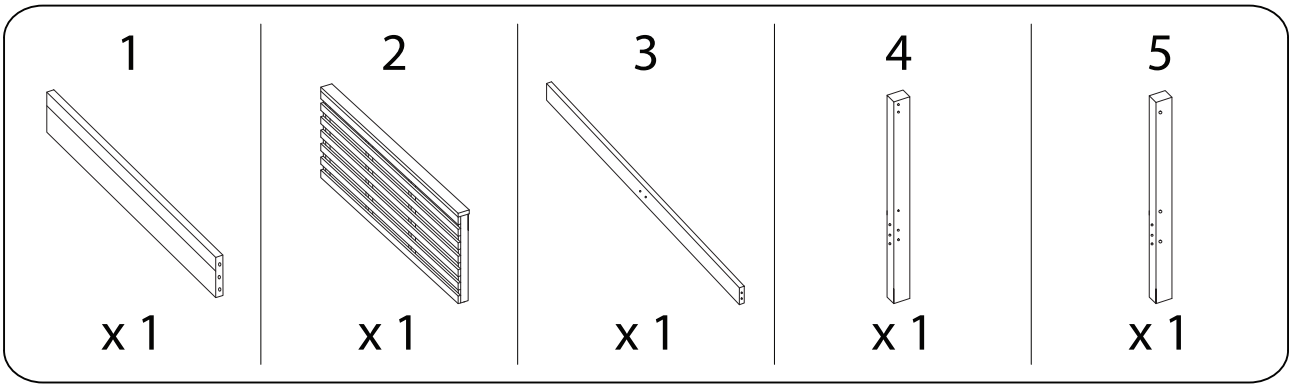


CARNAC

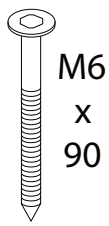




		60'
		2

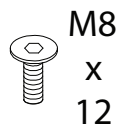


A



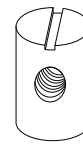
x 14

B



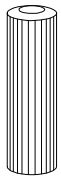
x 4

C



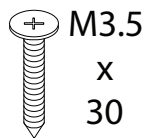
x 14

D



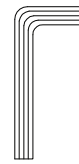
x 8

E



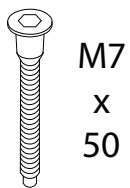
x 16

F



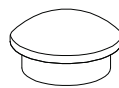
x 1

G



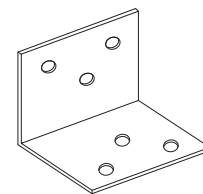
x 8

H



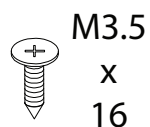
x 10

I



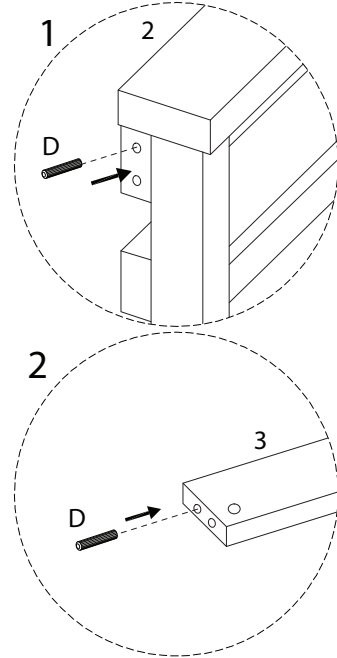
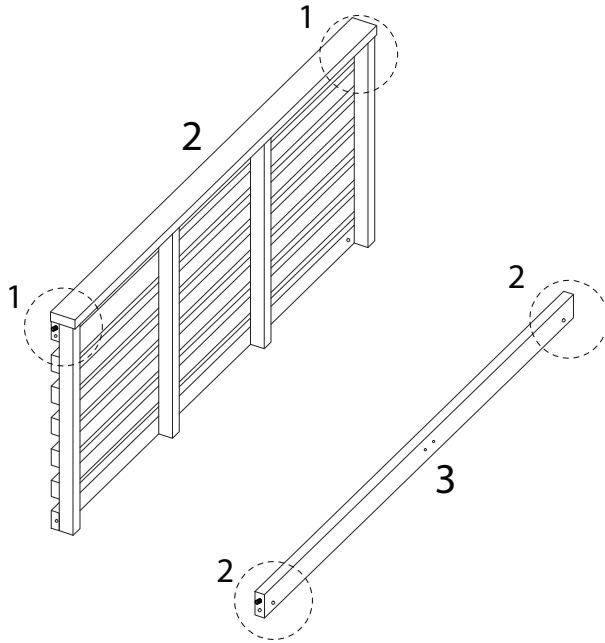
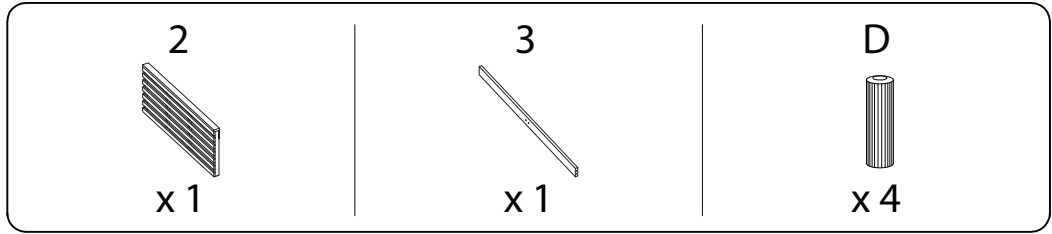
x 1

J

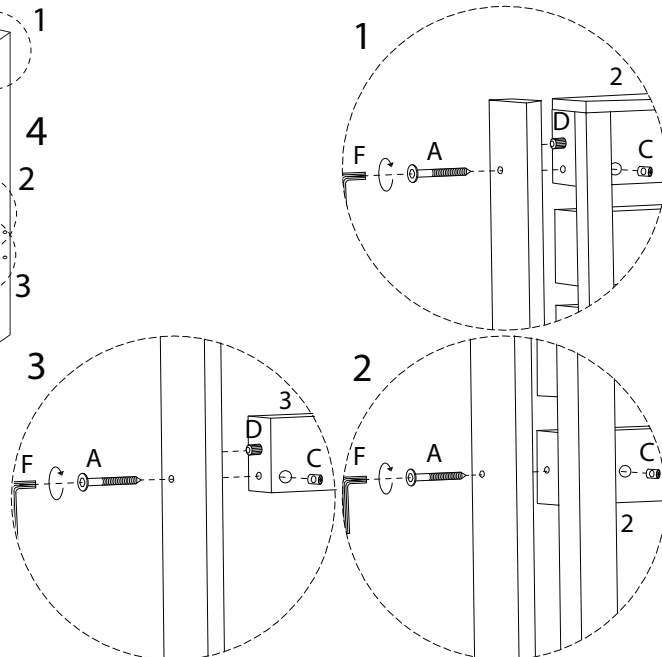
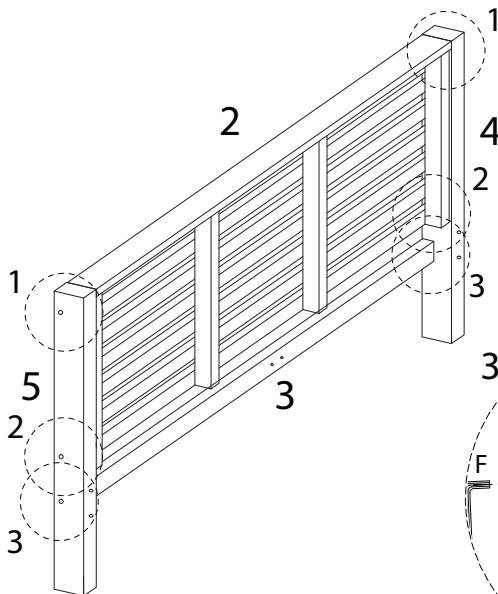
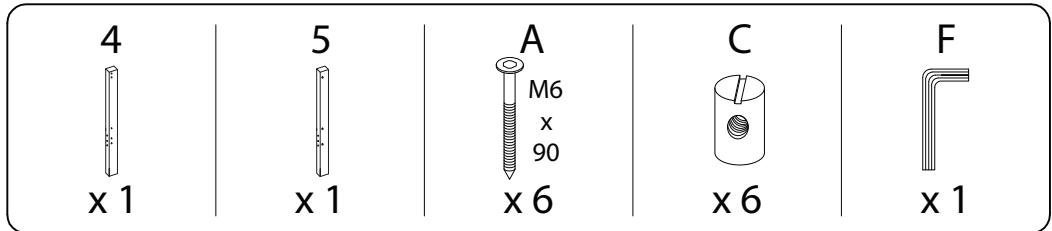


x 6

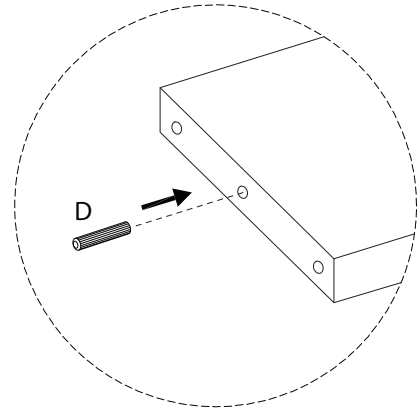
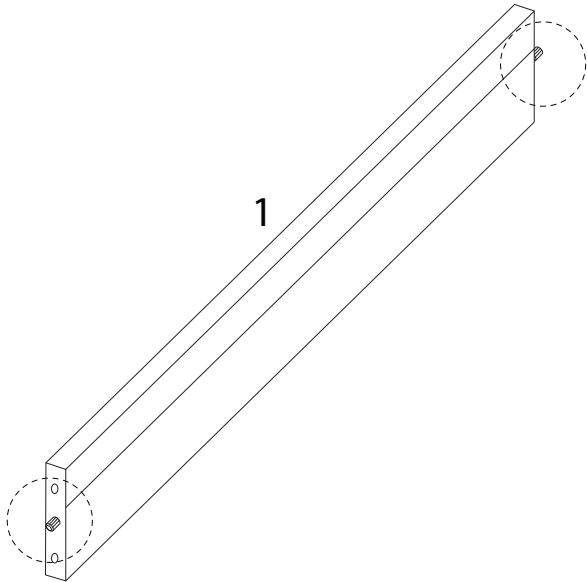
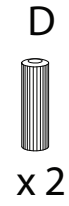
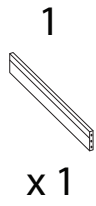
1



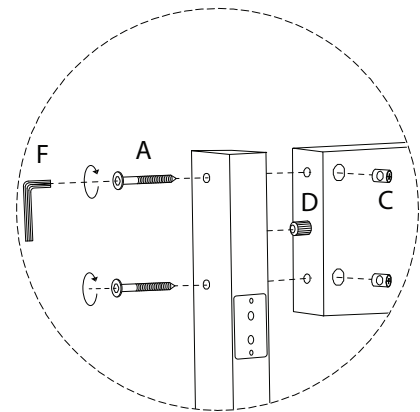
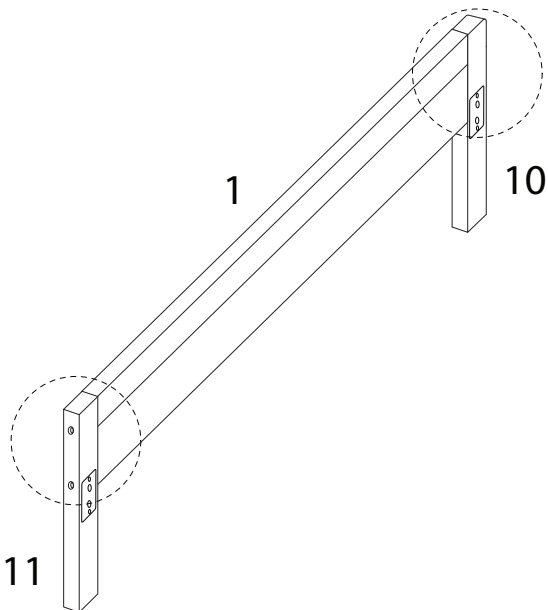
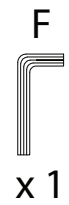
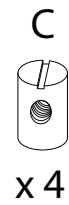
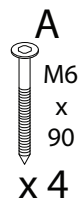
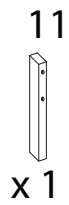
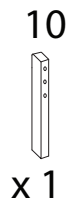
2



3

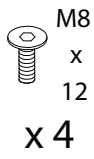


4

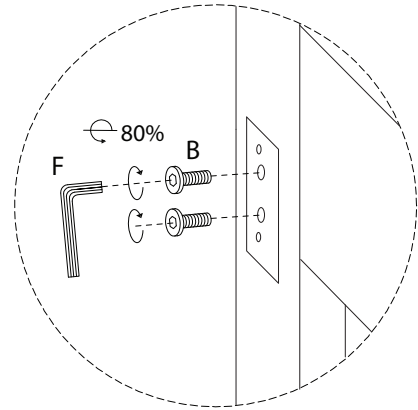
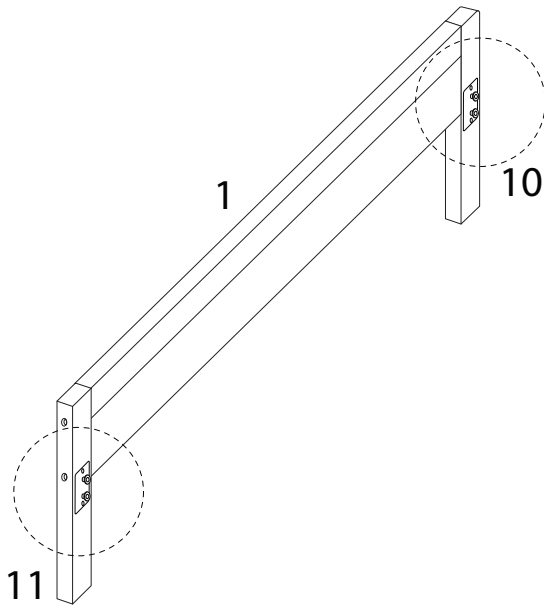
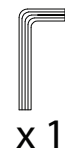


5

B

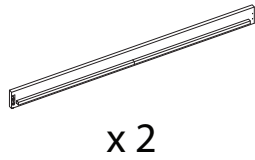


F

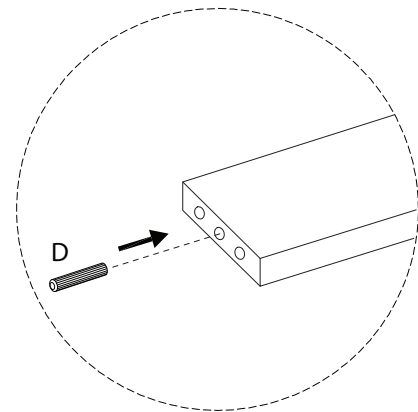
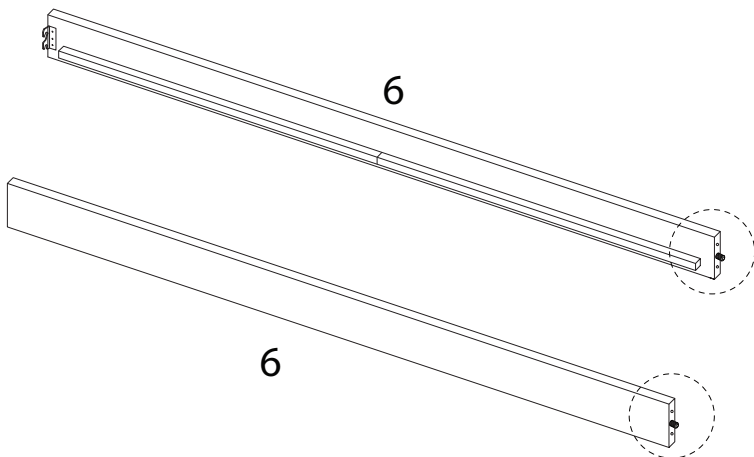
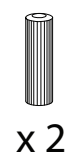


6

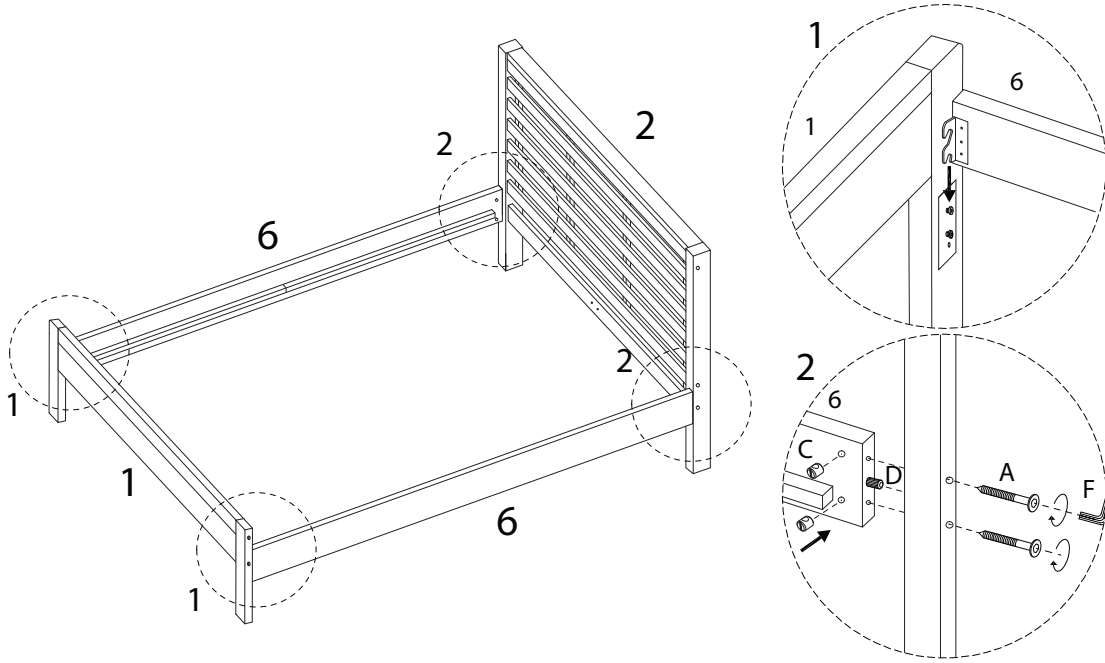
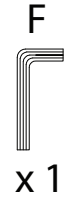
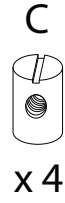
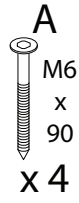
6



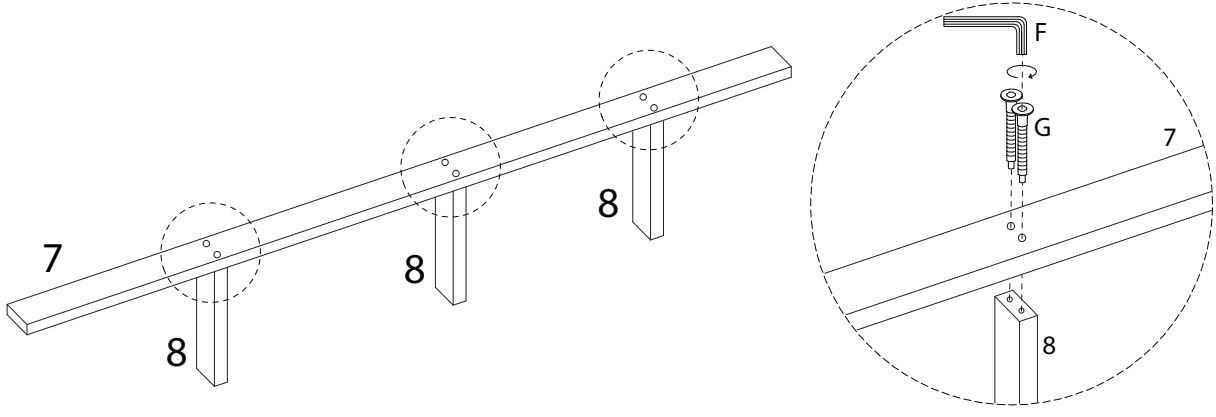
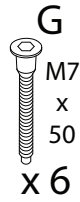
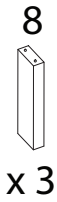
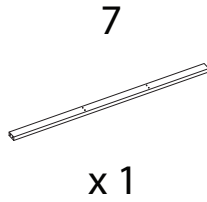
D



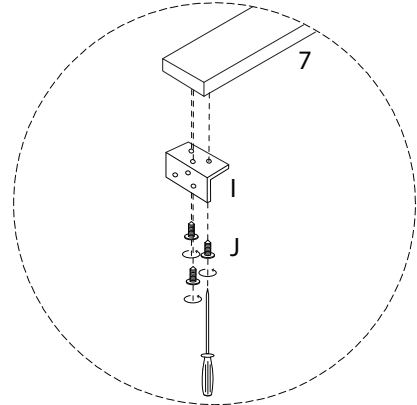
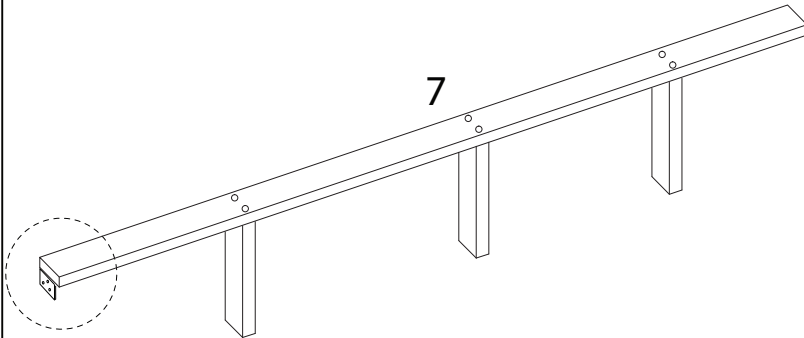
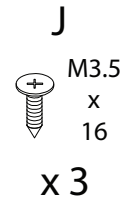
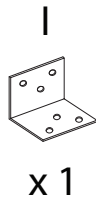
7



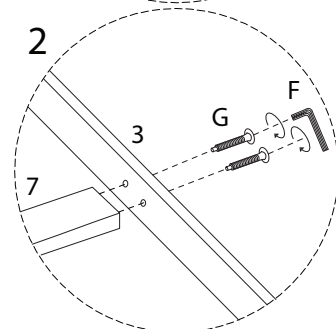
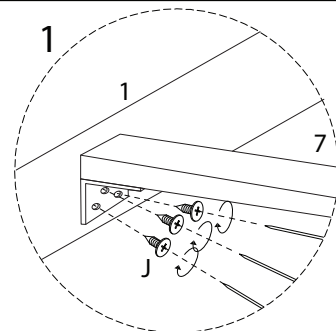
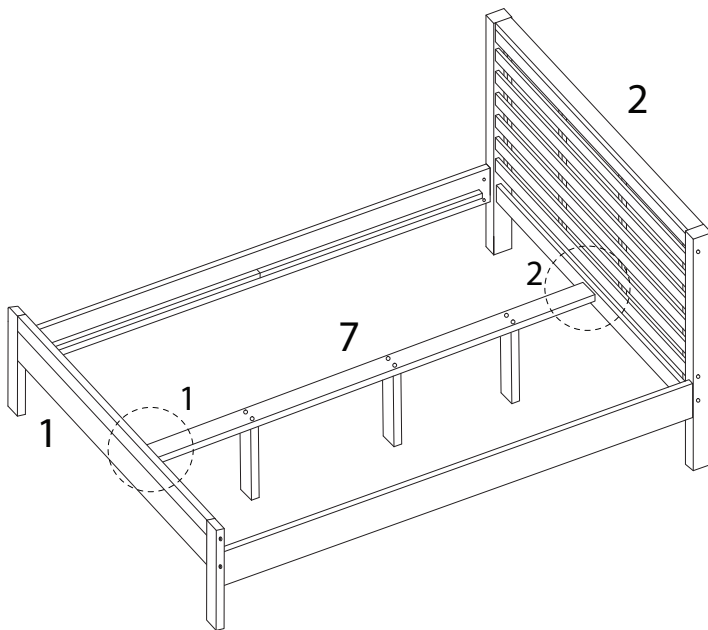
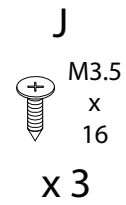
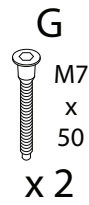
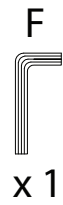
8



9

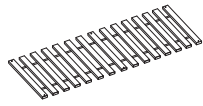


10



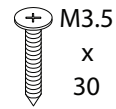
11

9

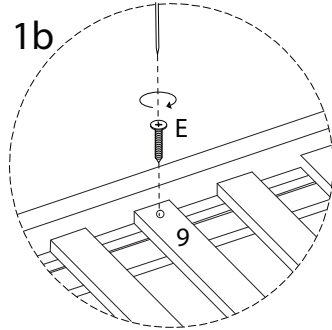
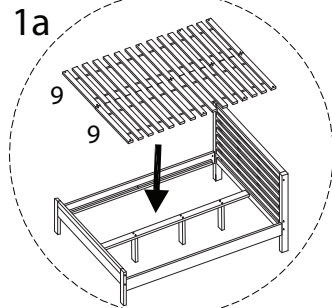
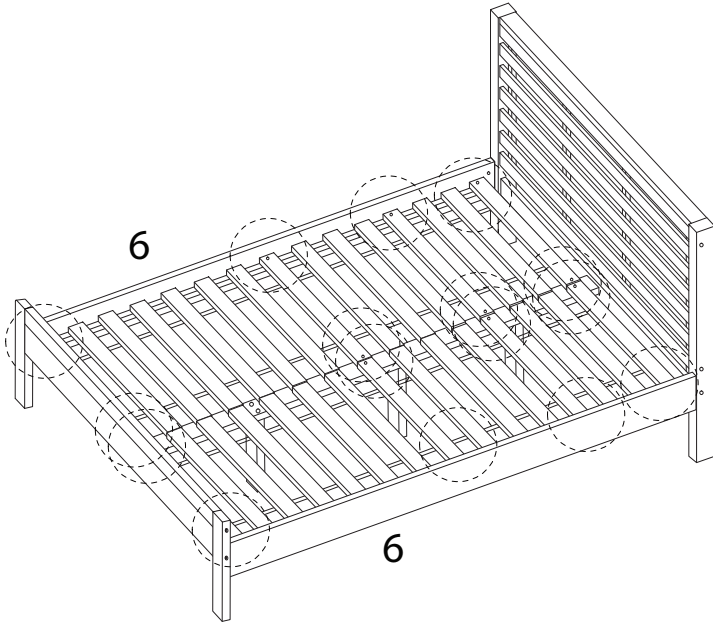


x 2

E



M3.5
x
30
x 16



12

H



x 10

