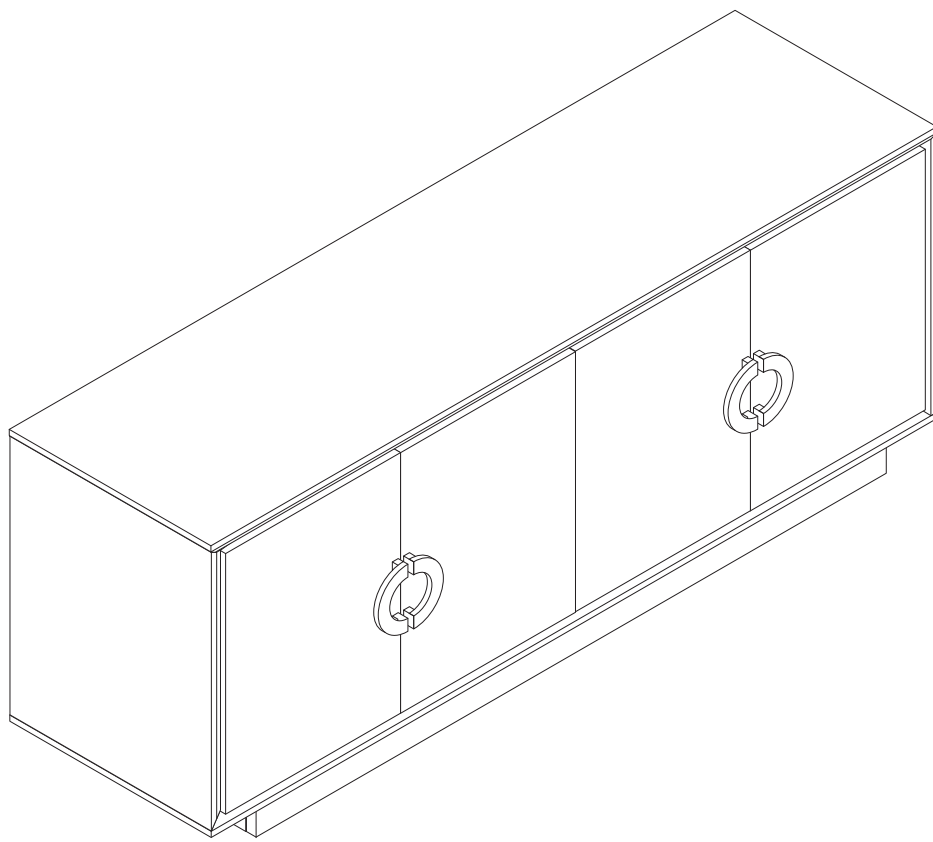
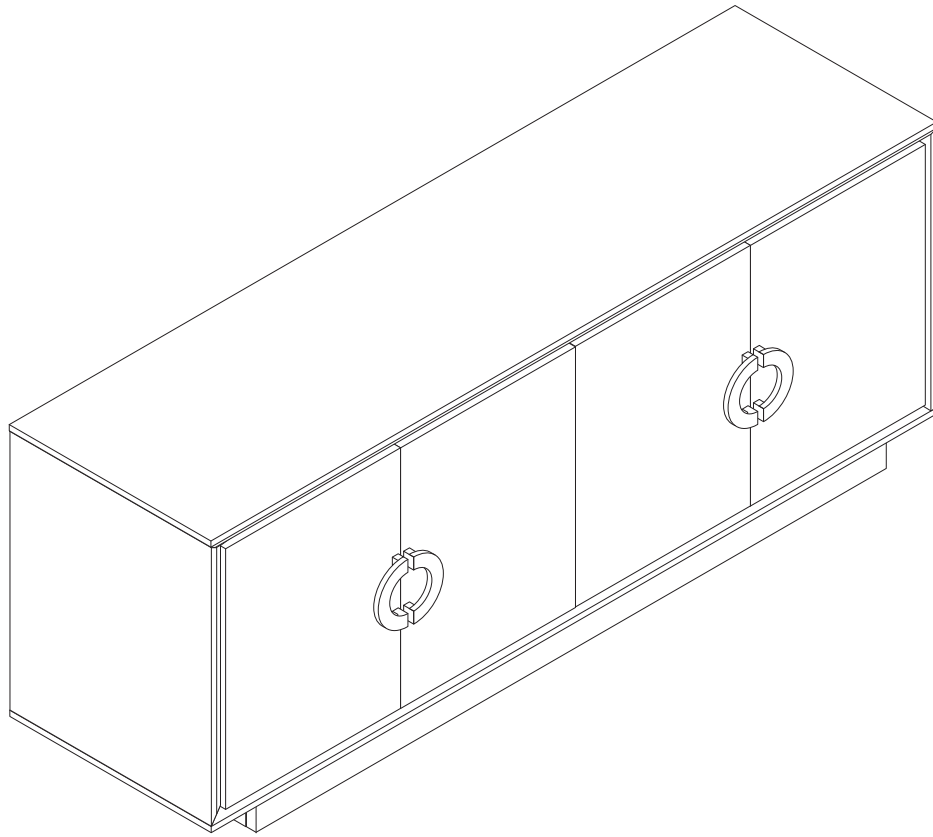
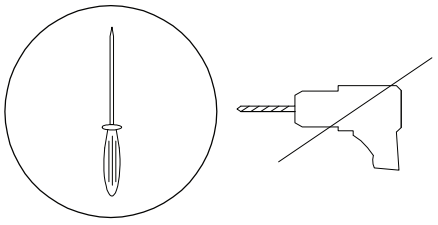

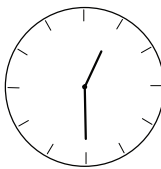
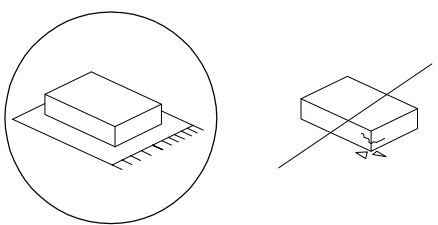


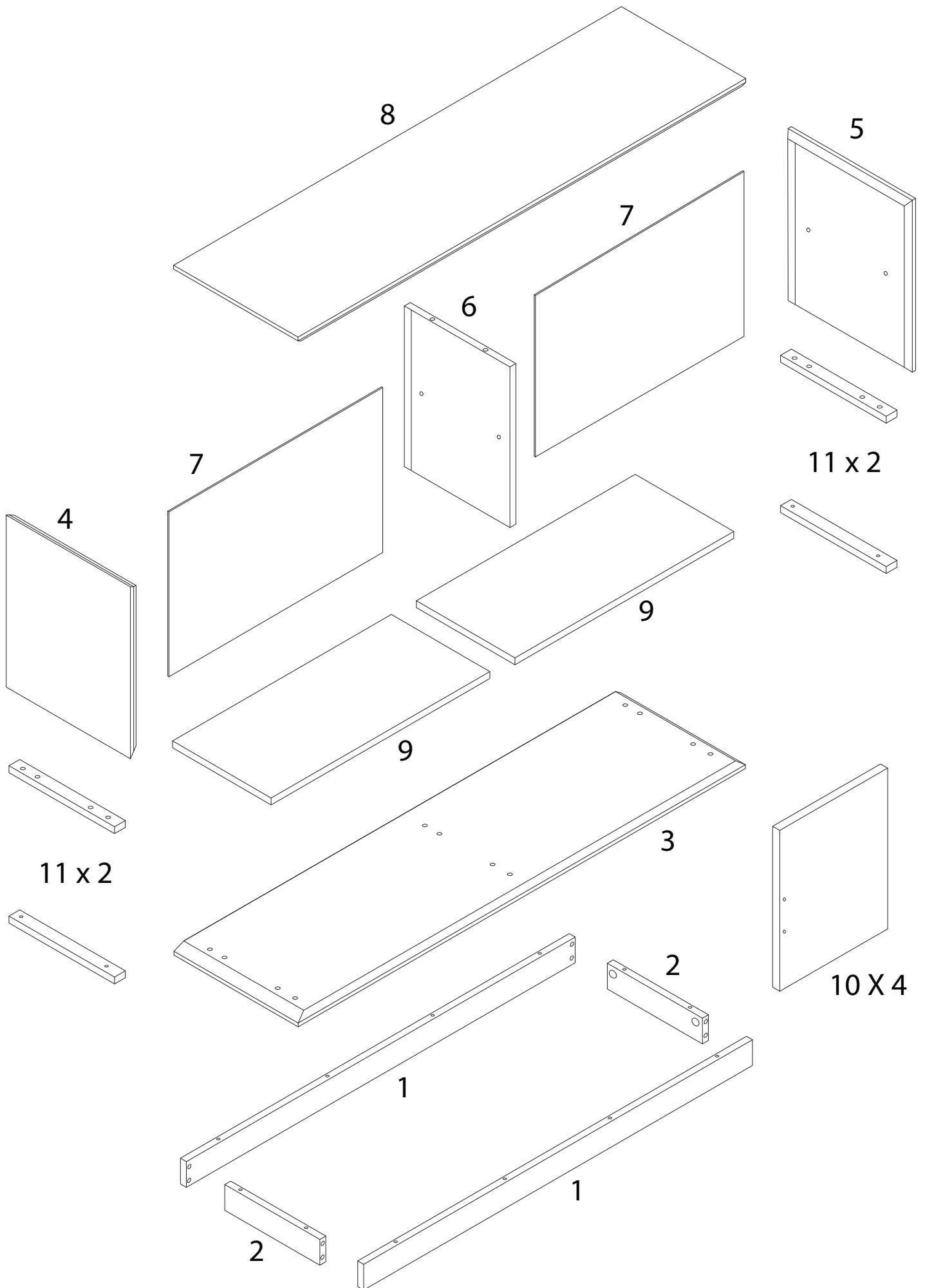


OXNARD

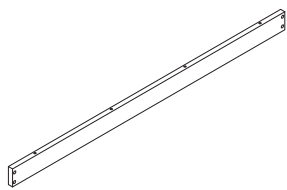




		
		90'
		
		2

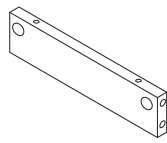


1



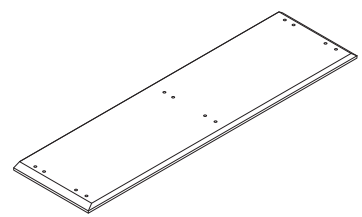
x 2

2



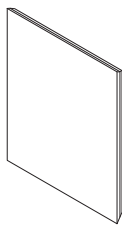
x 2

3



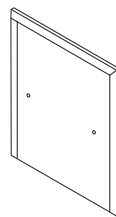
x 1

4



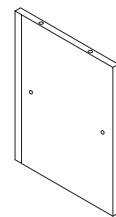
x 1

5



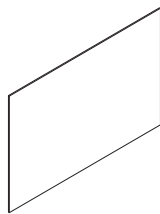
x 1

6



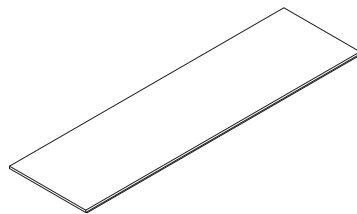
x 1

7



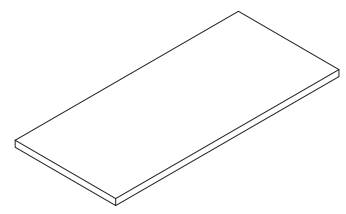
x 2

8



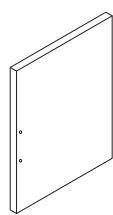
x 1

9



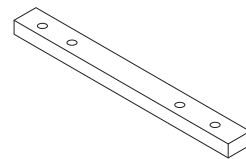
x 2

10



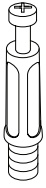
x 4

11



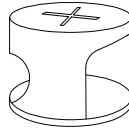
x 4

A



x 6

B



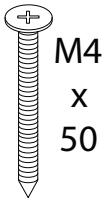
x 6

C



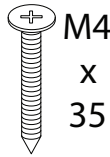
x 32

D



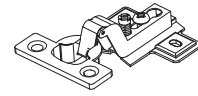
x 14

E



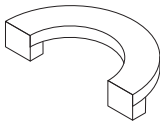
x 16

F



x 4

G



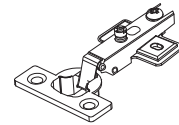
x 4

H



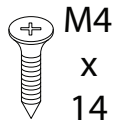
x 8

I



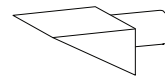
x 4

J

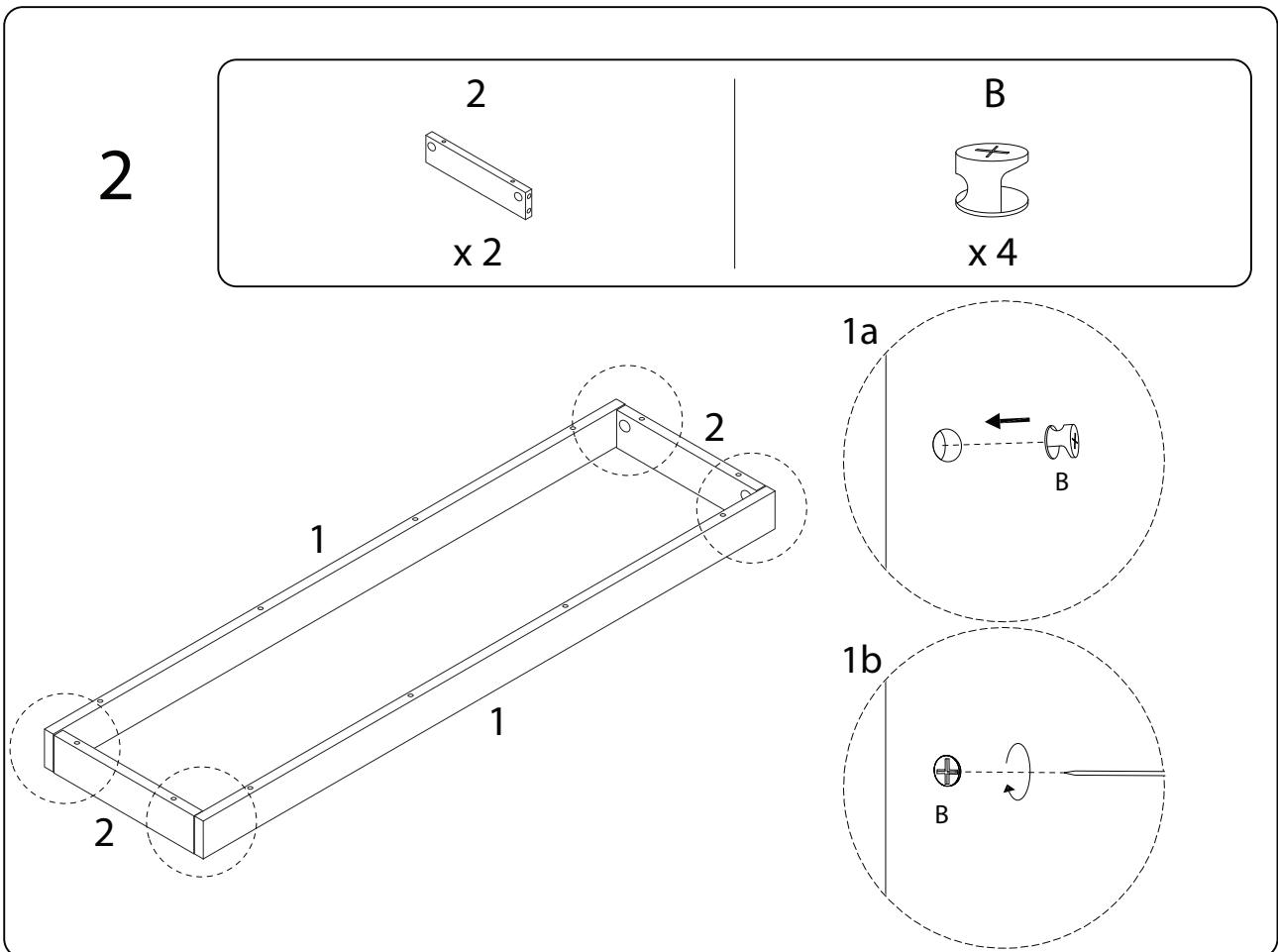
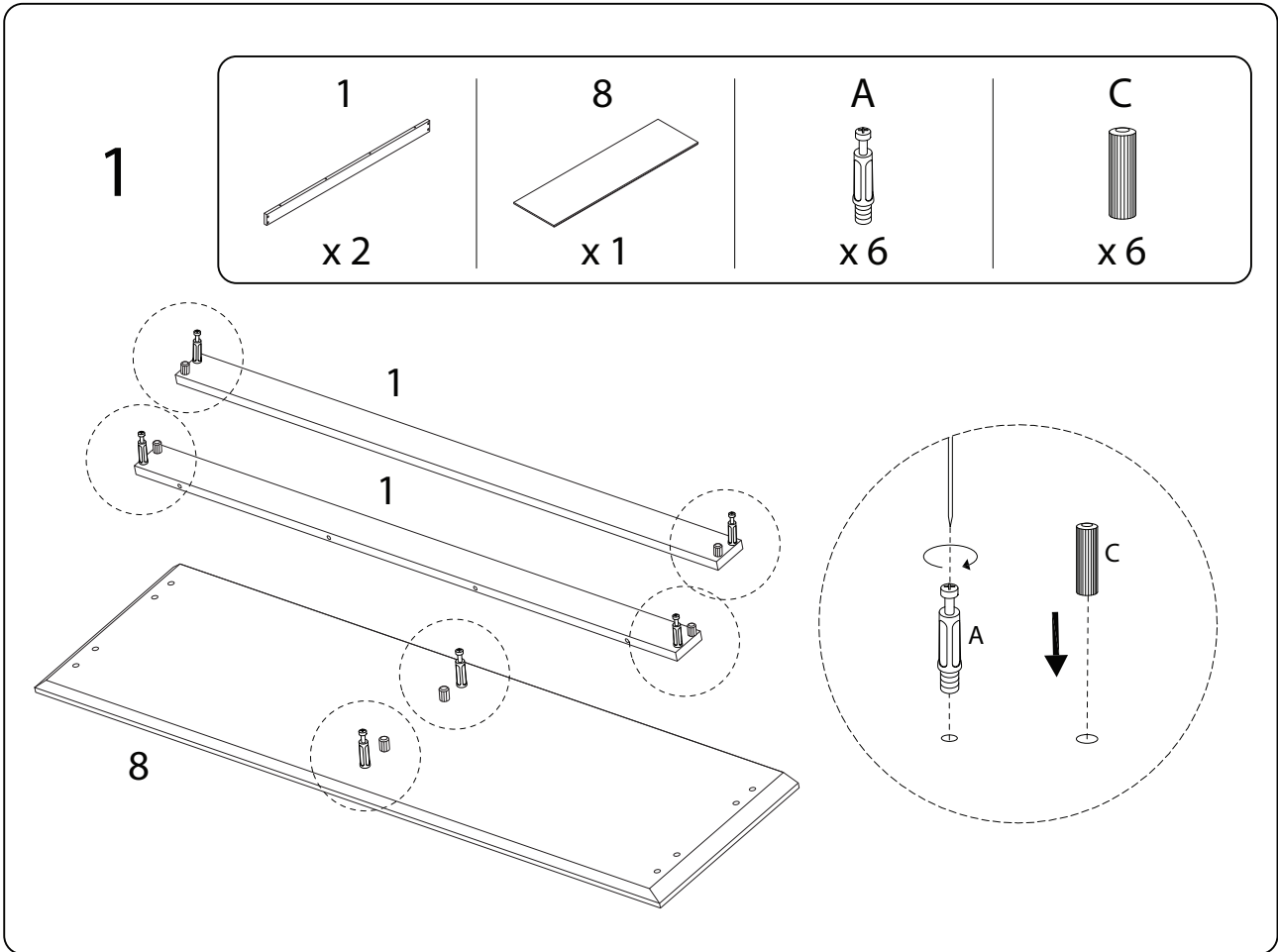


x 32

K

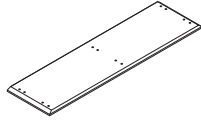


x 8



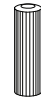
3

3

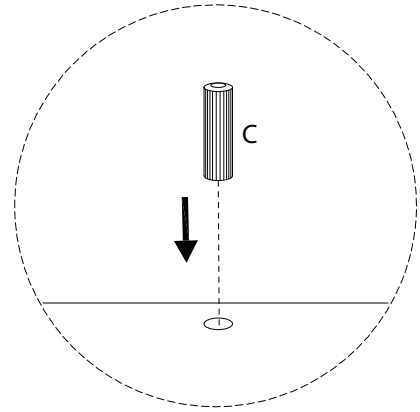
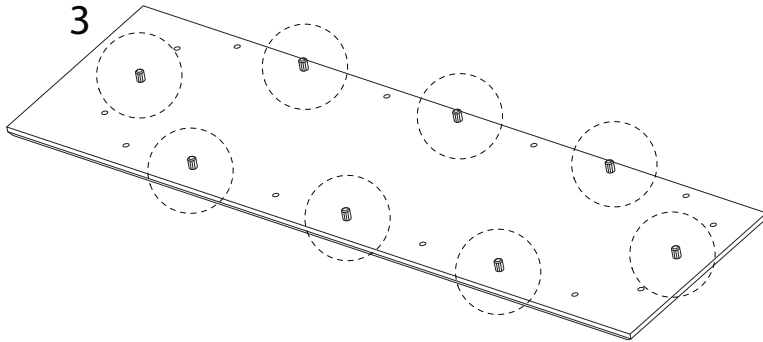


x1

C

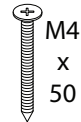


x8

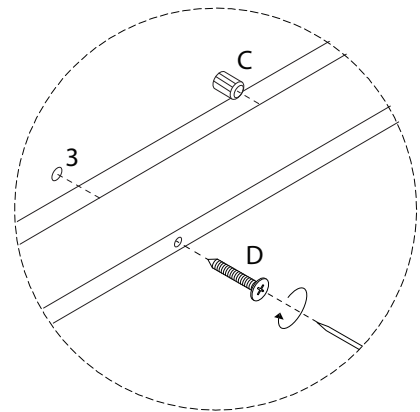
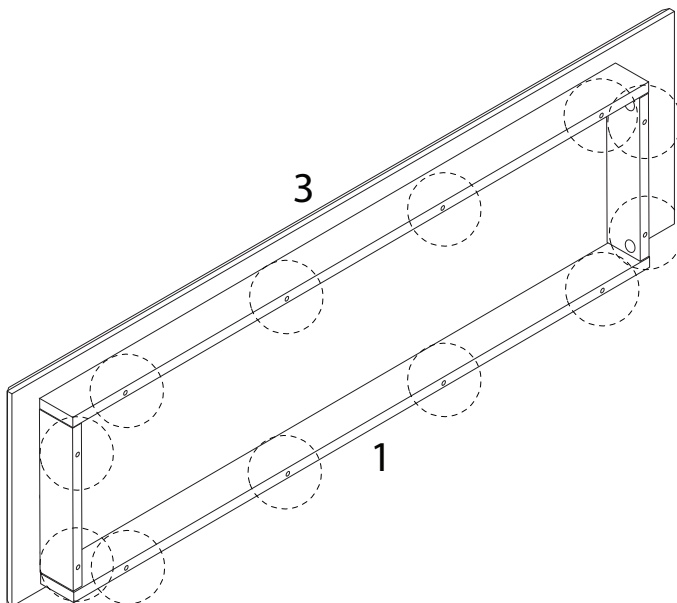


4

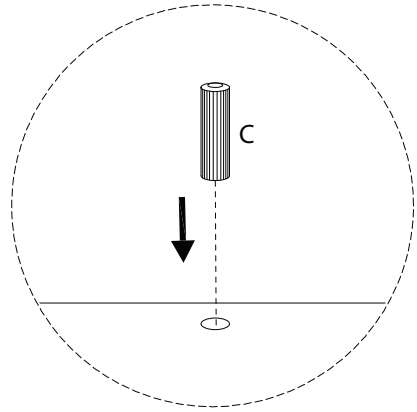
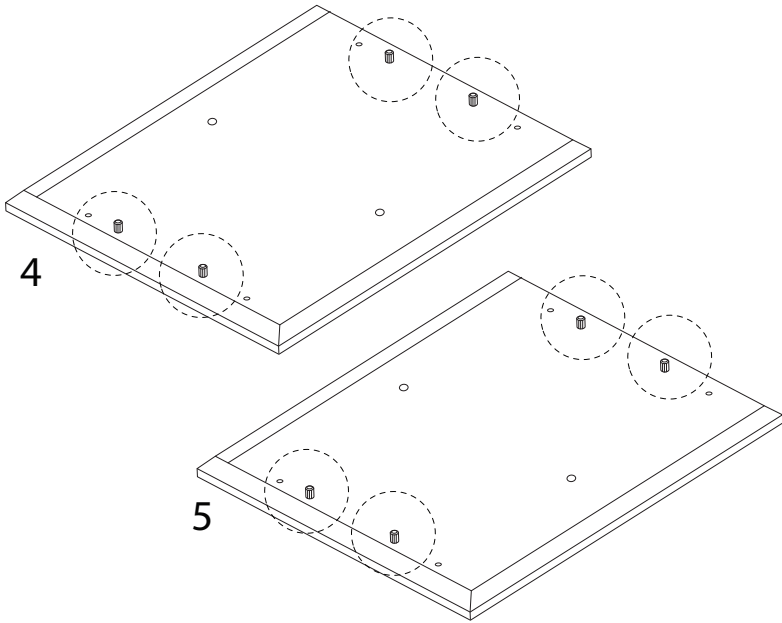
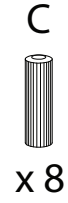
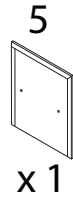
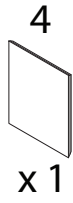
D



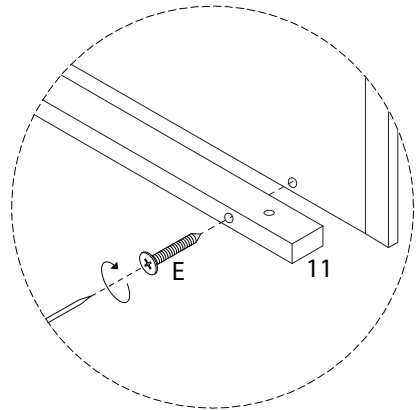
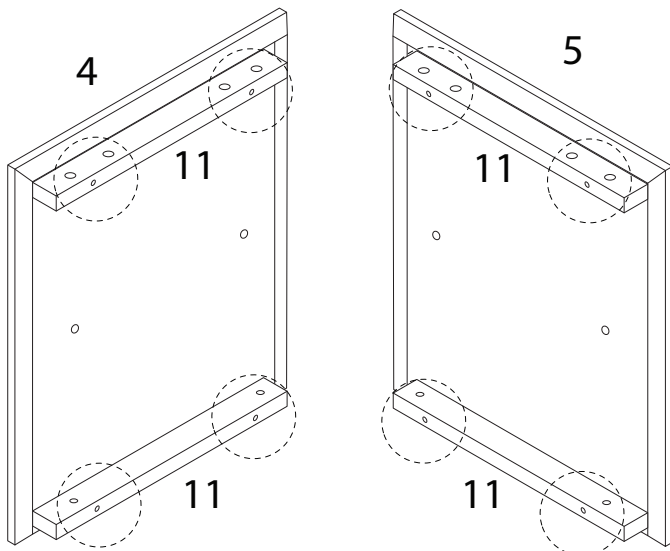
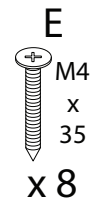
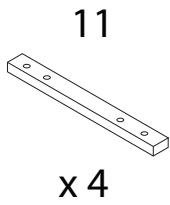
x12



5



6

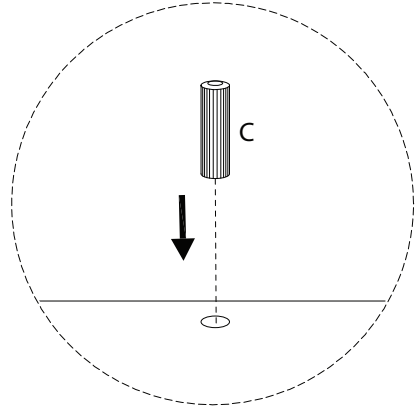
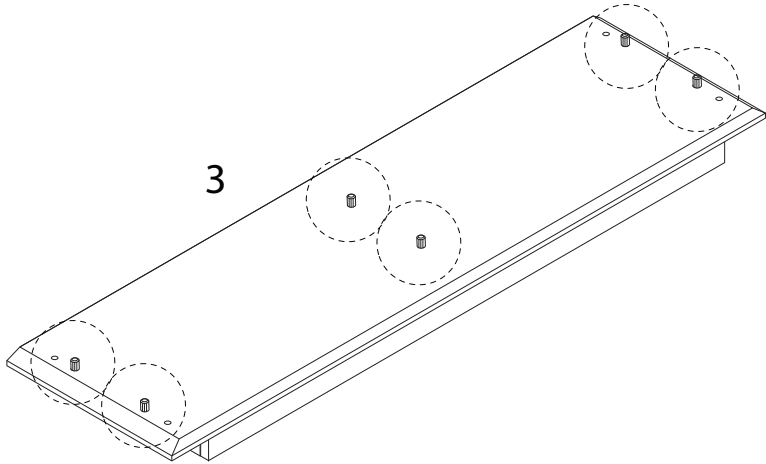


7

C

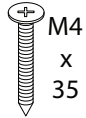


x 6

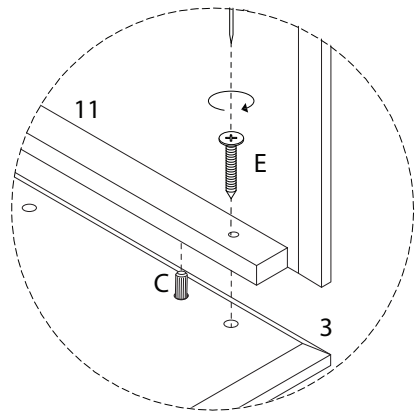
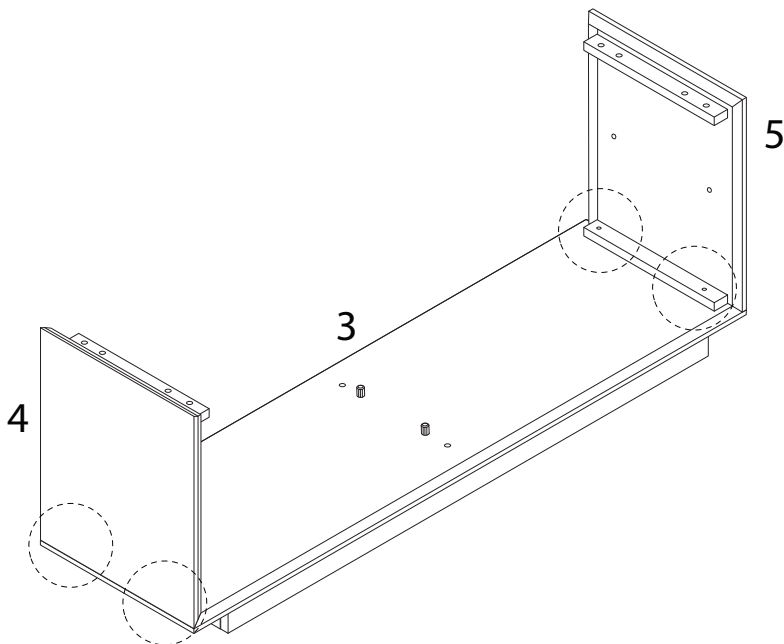


8

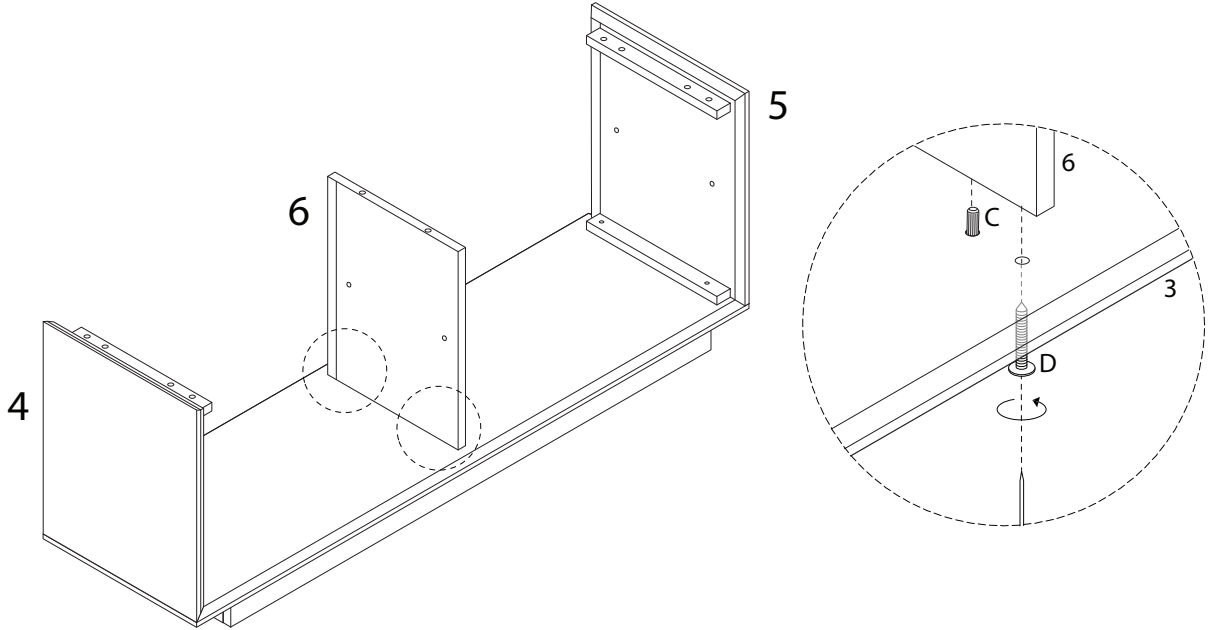
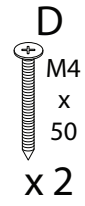
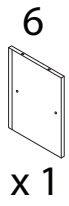
E



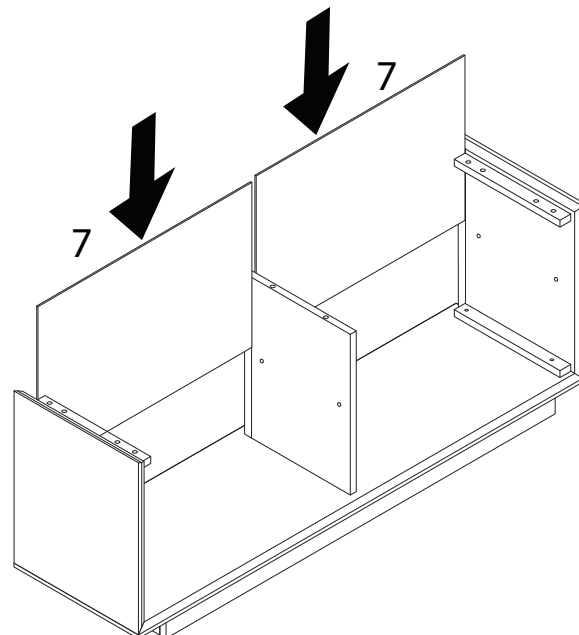
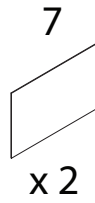
x 4



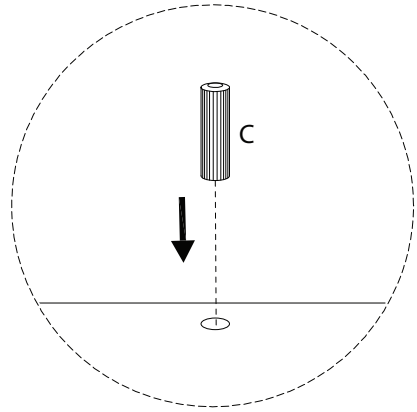
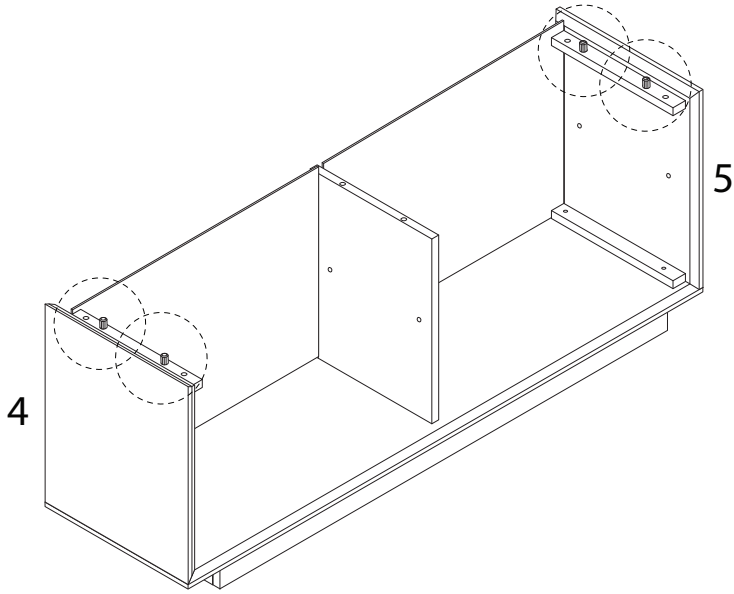
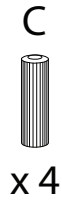
9



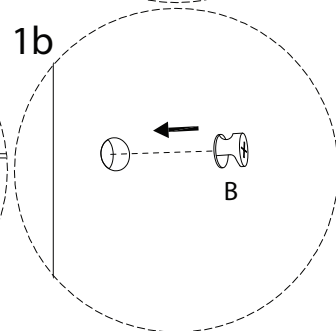
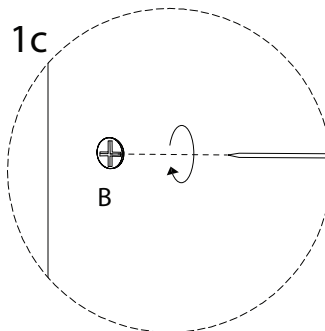
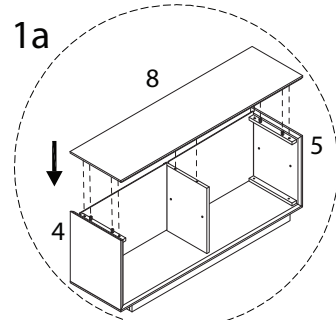
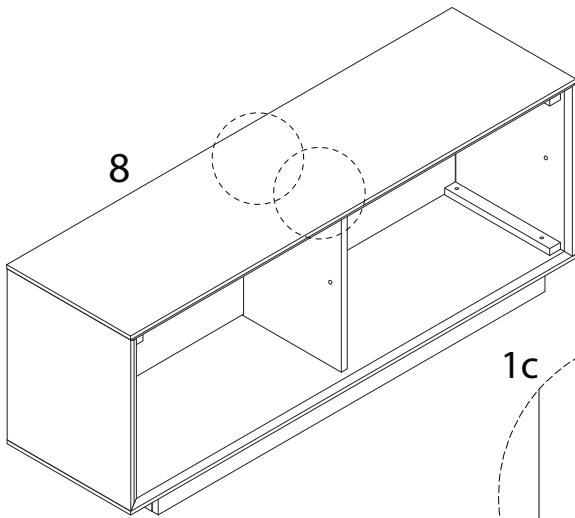
10



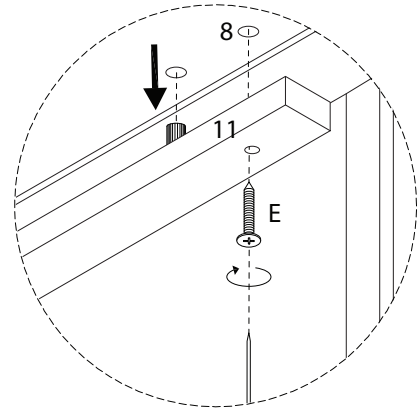
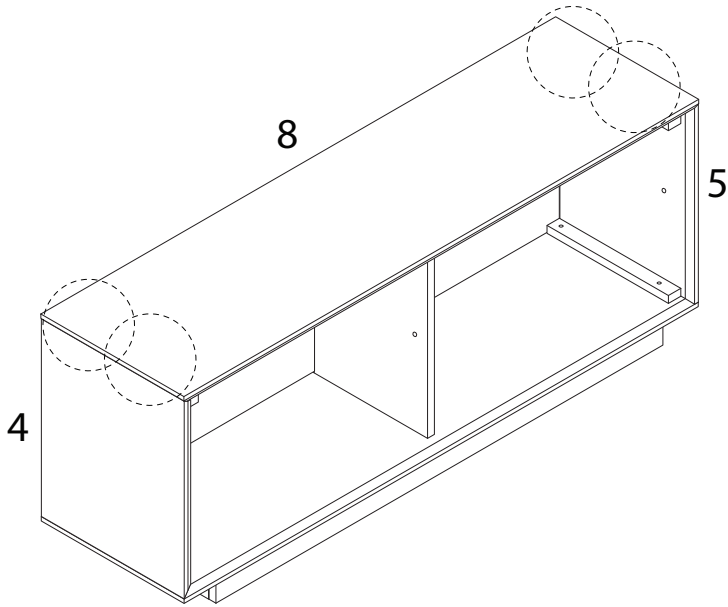
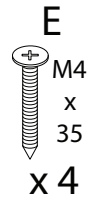
11



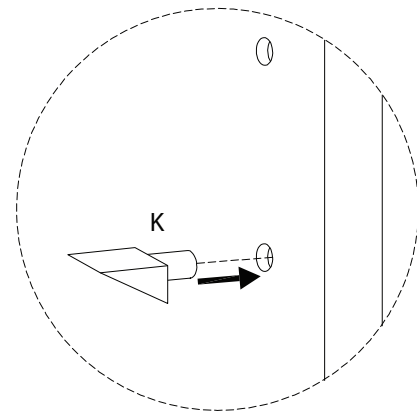
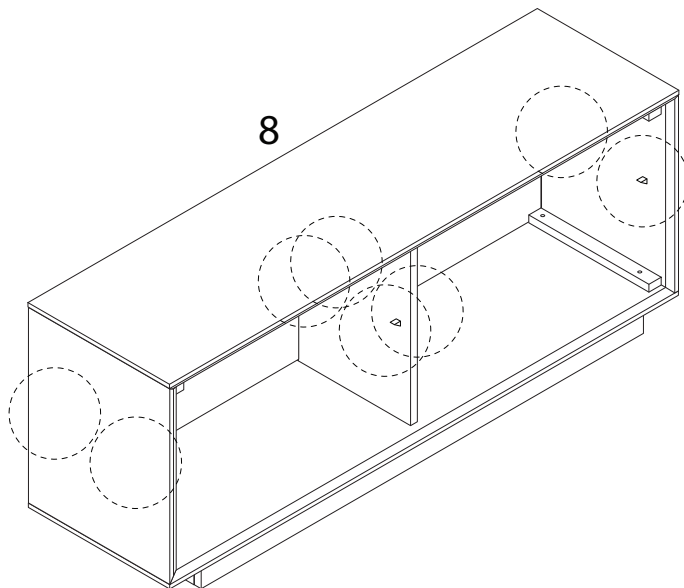
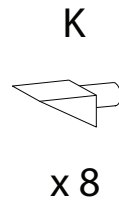
12



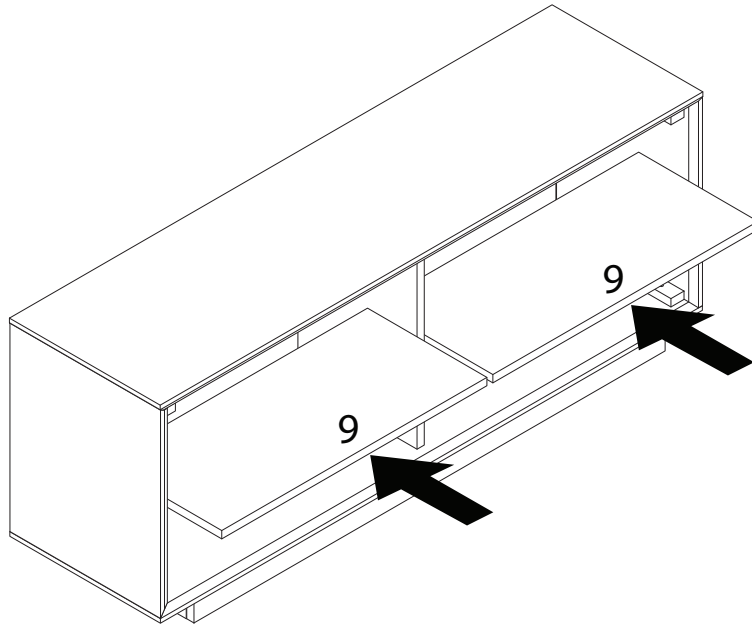
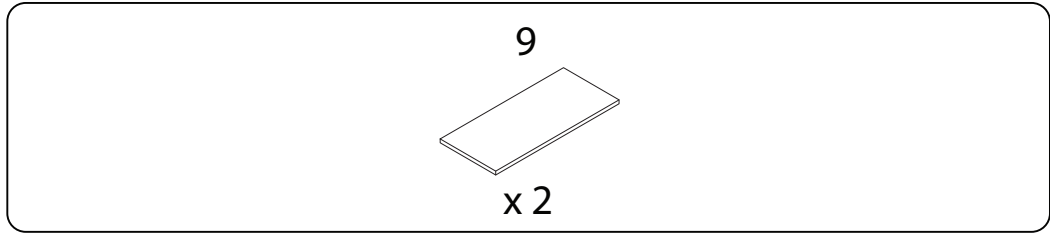
13



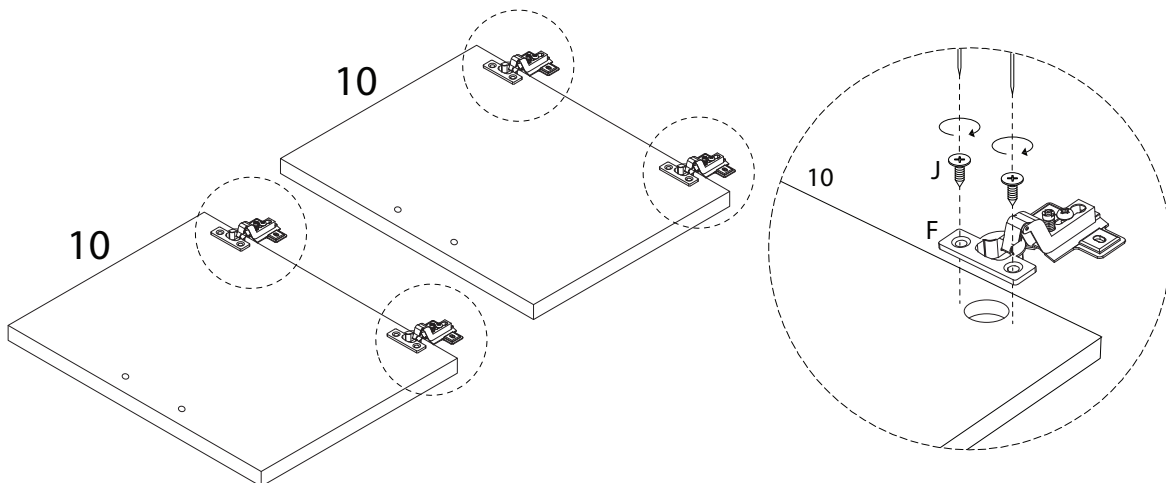
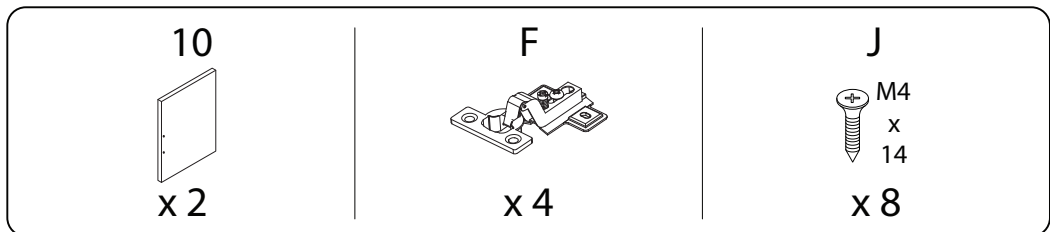
14



15



16

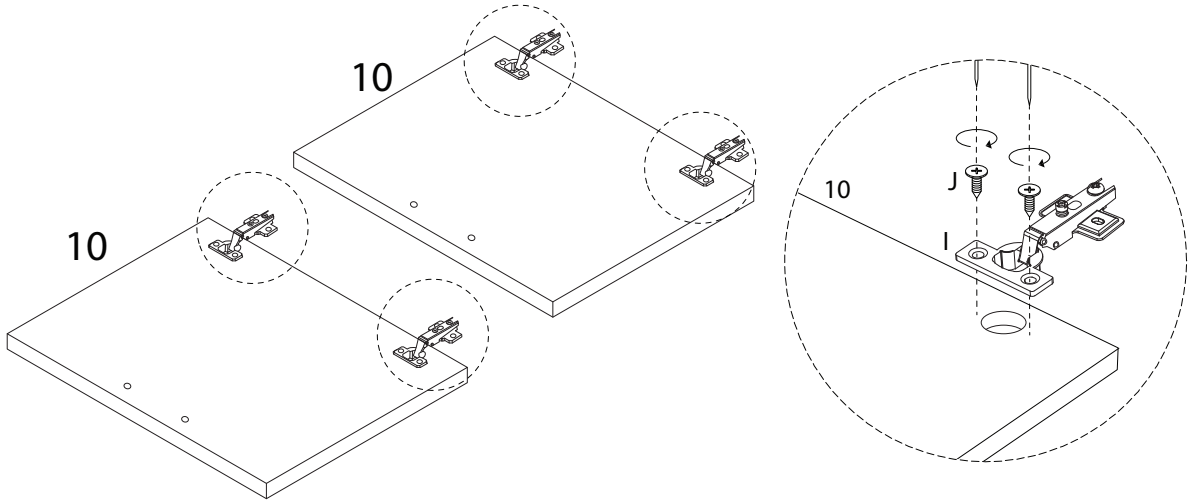


17

10
x2

I
x4

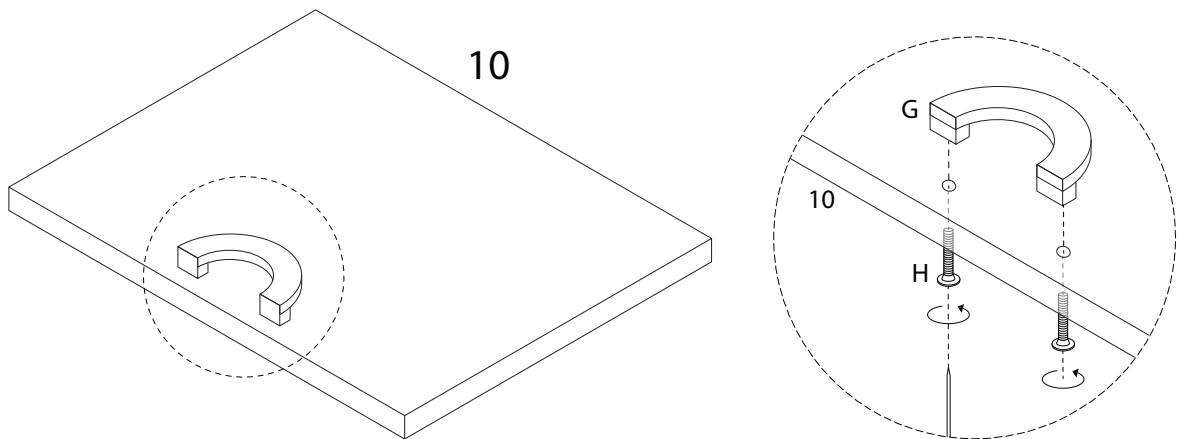
J
M4
x
14
x8



18 X 4

G
x1

H
M4
x
22
x2

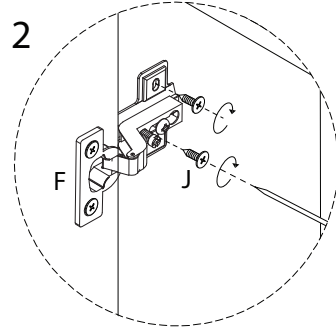
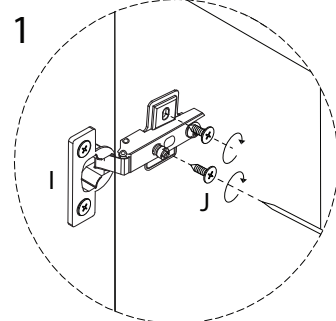
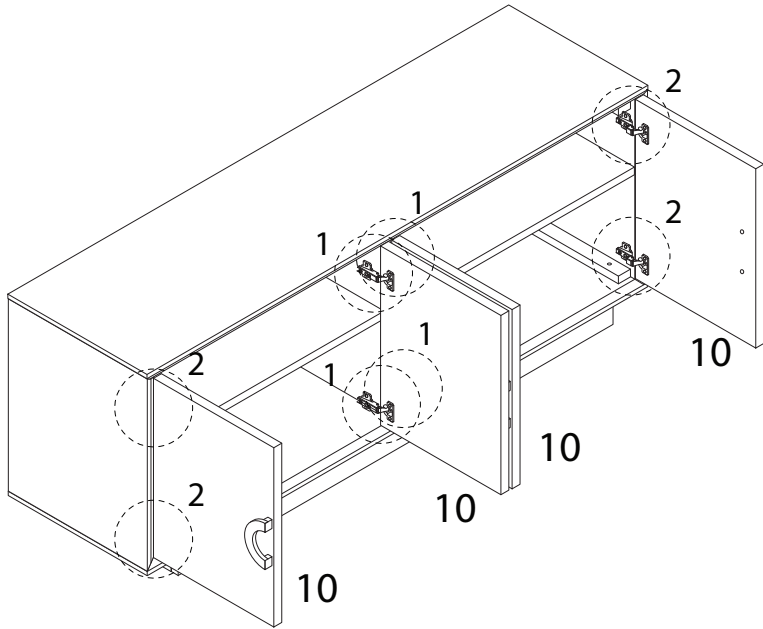


19

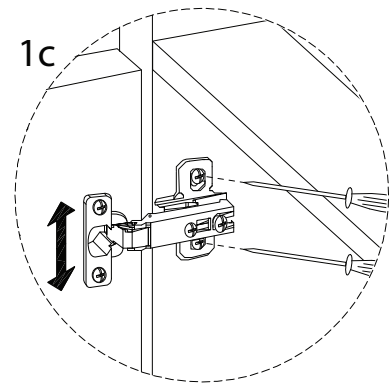
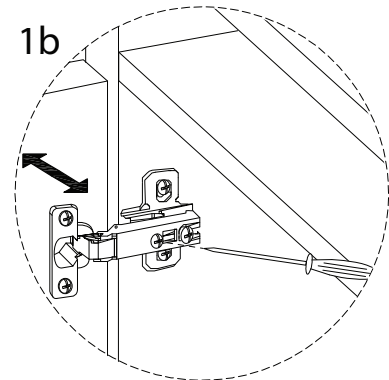
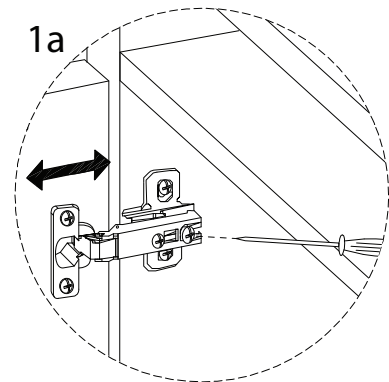
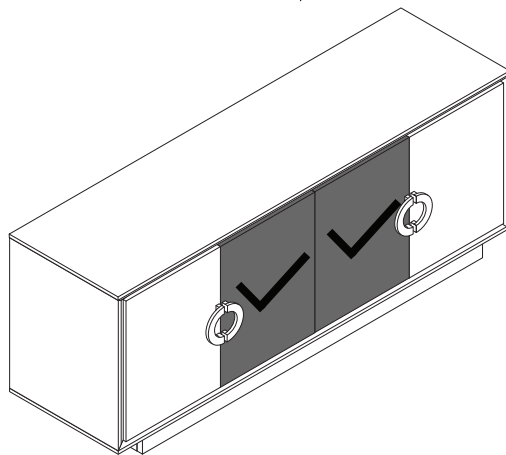
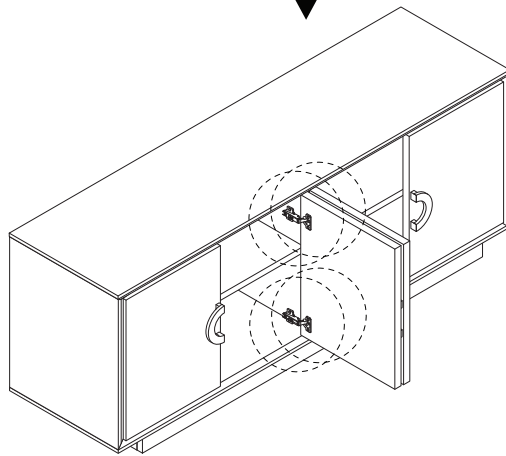
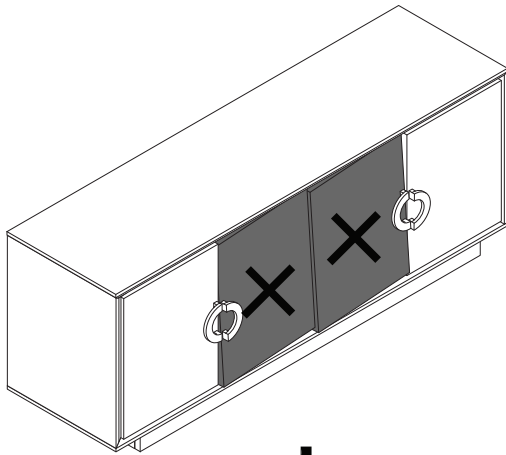
J



x 16



20



21

