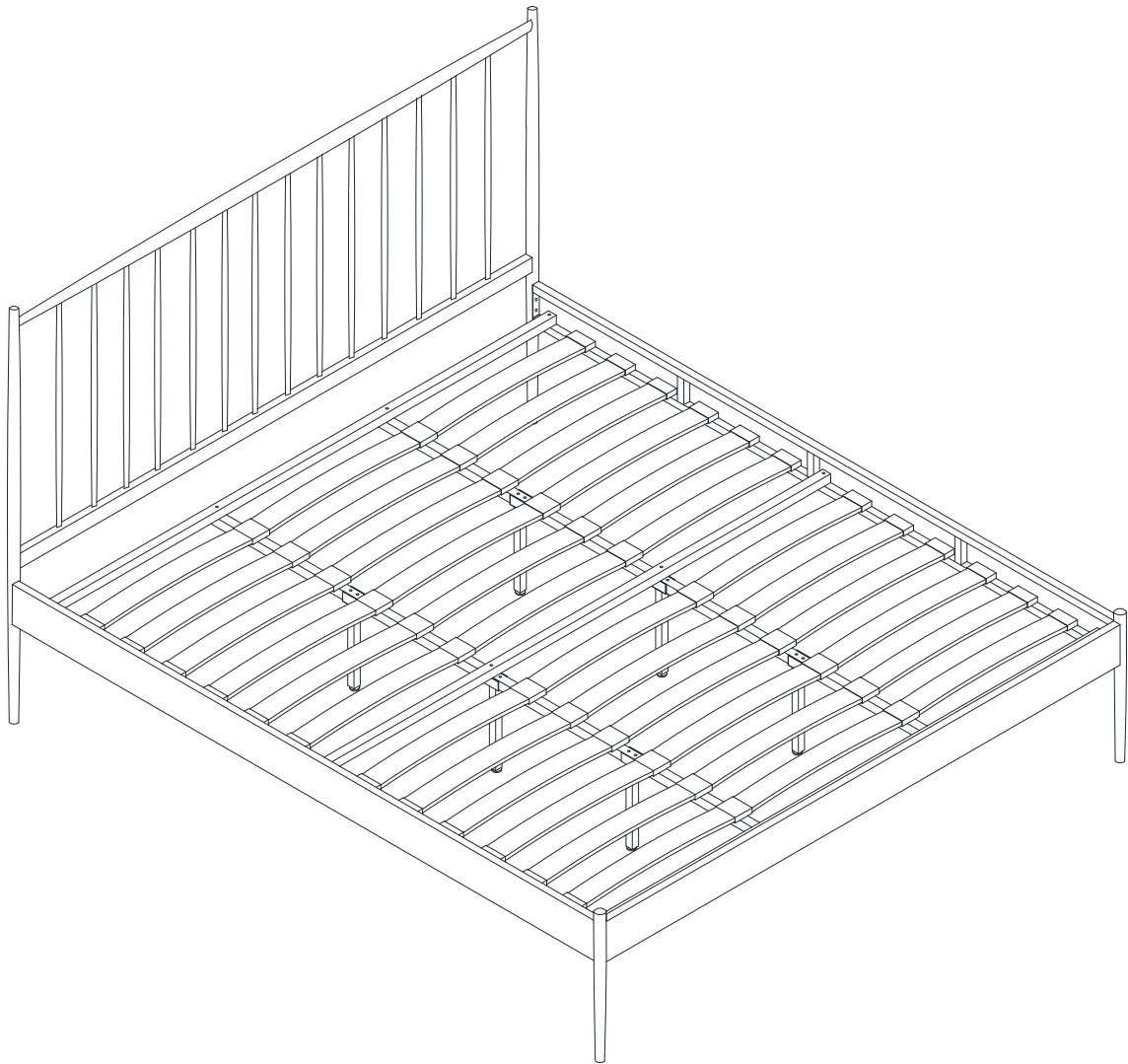
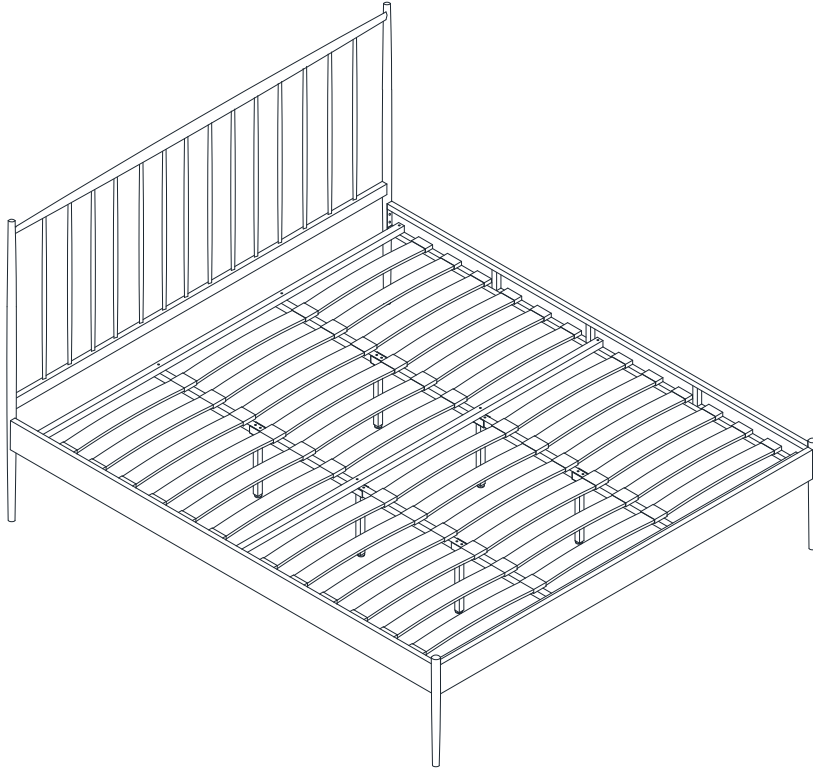


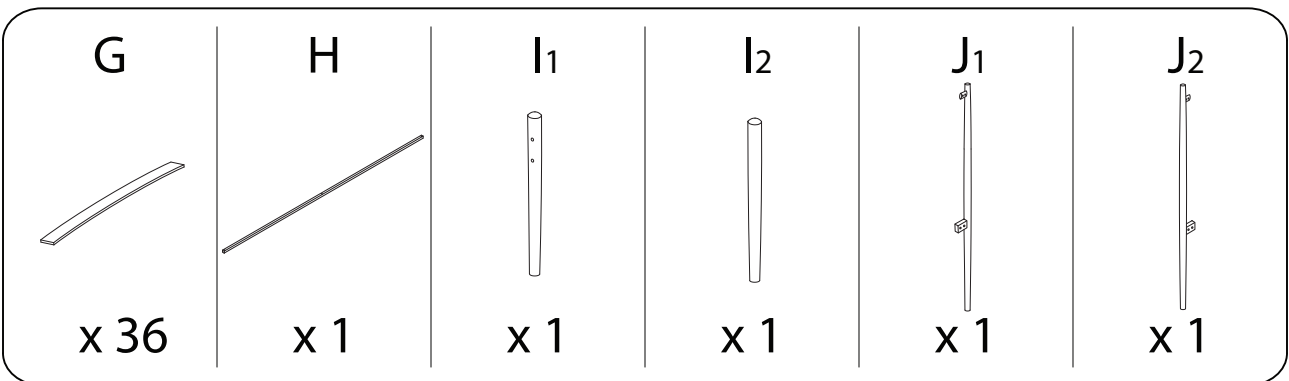
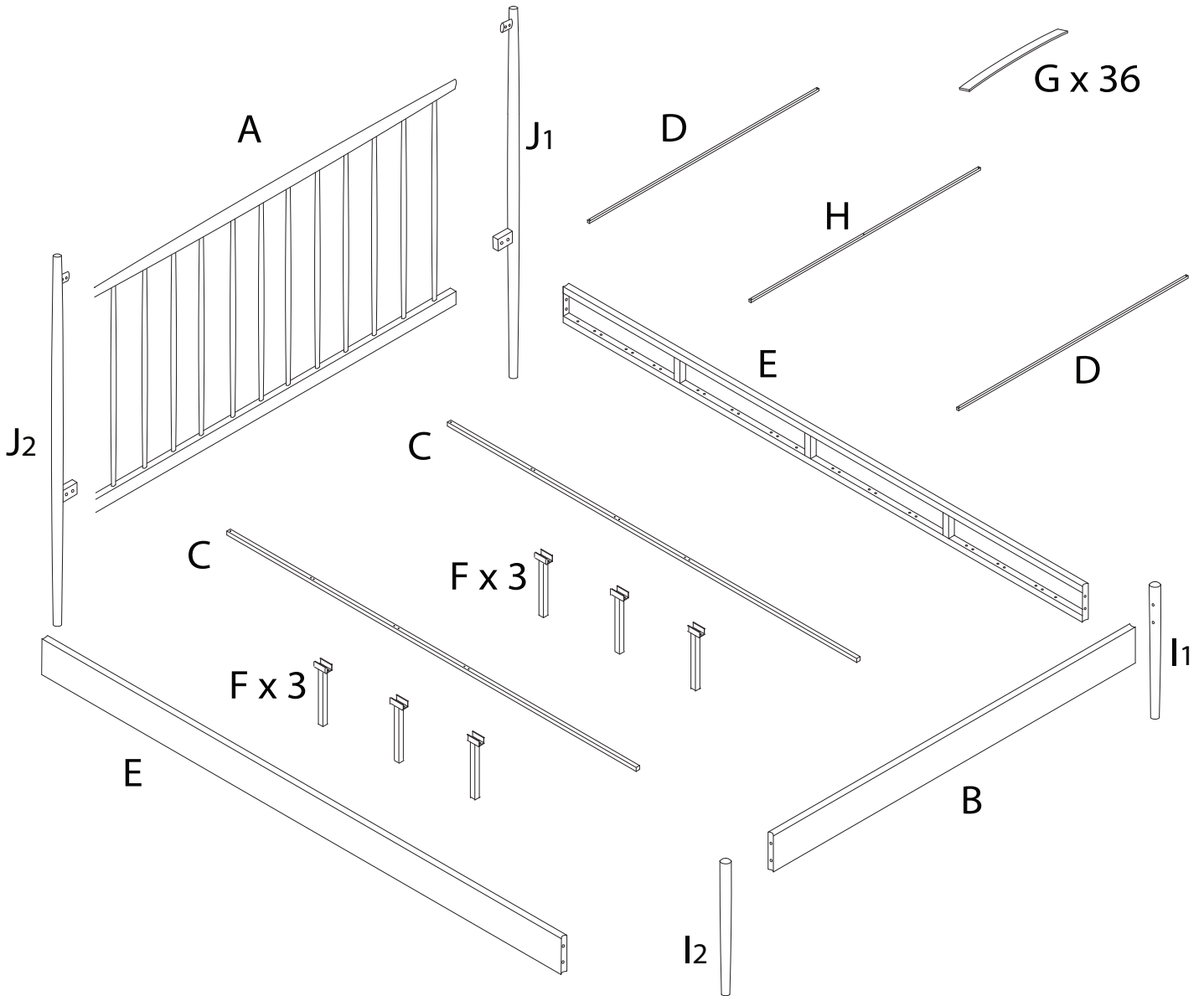
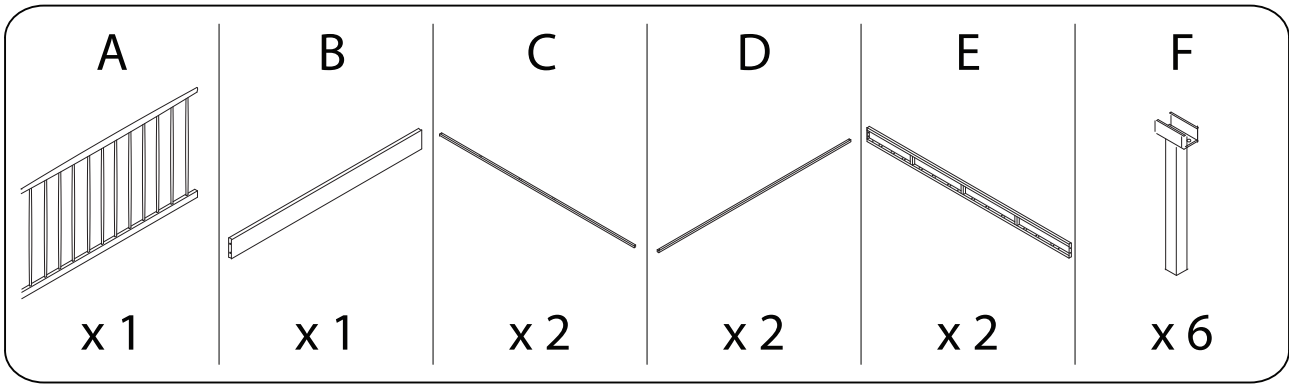
MAURS



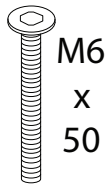


Assembly instructions for step 1/7:

- Tools:** A circle containing a screwdriver and a wrench, with a crossed-out power drill icon next to it.
- Warning:** A triangle with an exclamation mark.
- Time:** A clock icon with the text "45'" below it.
- Personnel:** A person icon with the number "2" below it.
- Diagram:** A circle showing a mattress being placed on the bed frame, with a crossed-out diagram showing the mattress being placed on the floor.

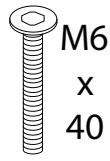


K



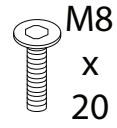
x 6

L



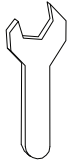
x 18

M



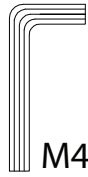
x 20

N



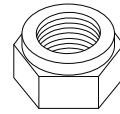
x 1

O



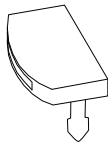
x 1

P



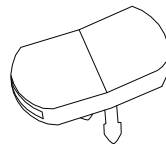
x 18

Q



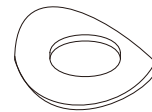
x 24

R



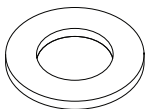
x 24

S



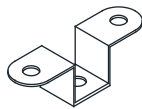
x 4

T



x 38

U



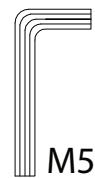
x 4

V



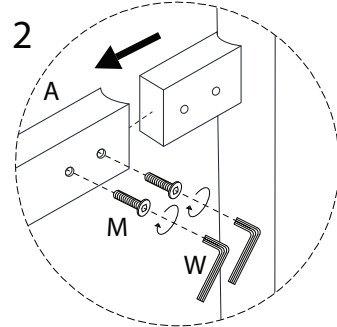
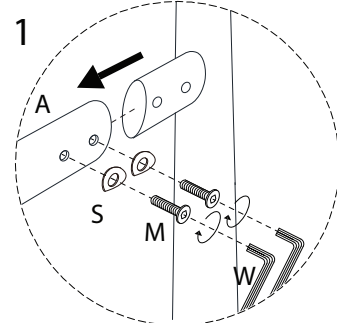
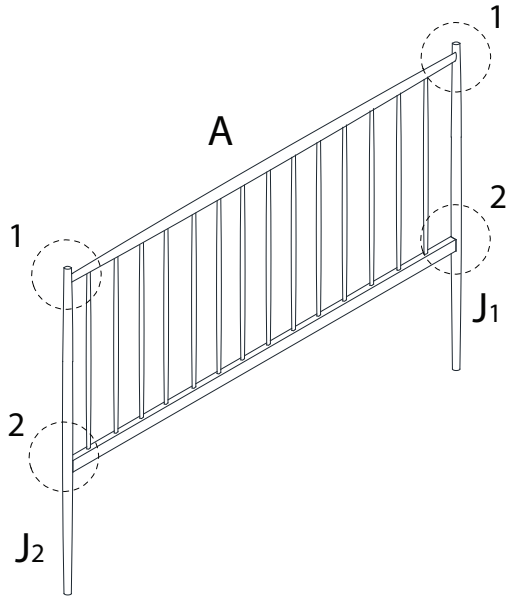
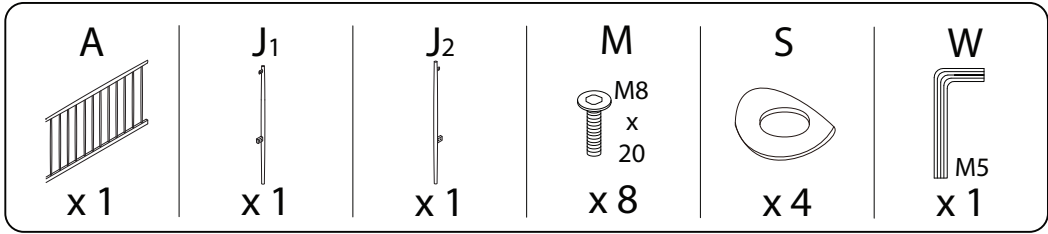
x 8

W

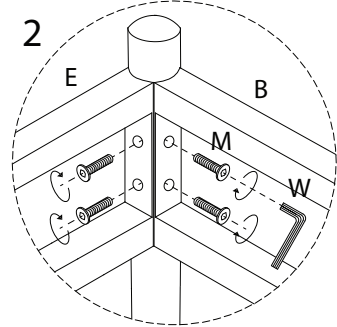
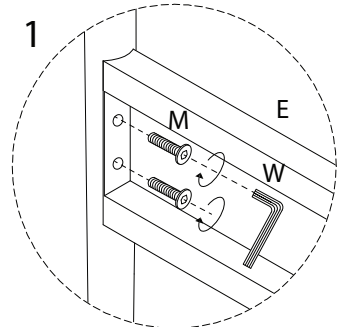
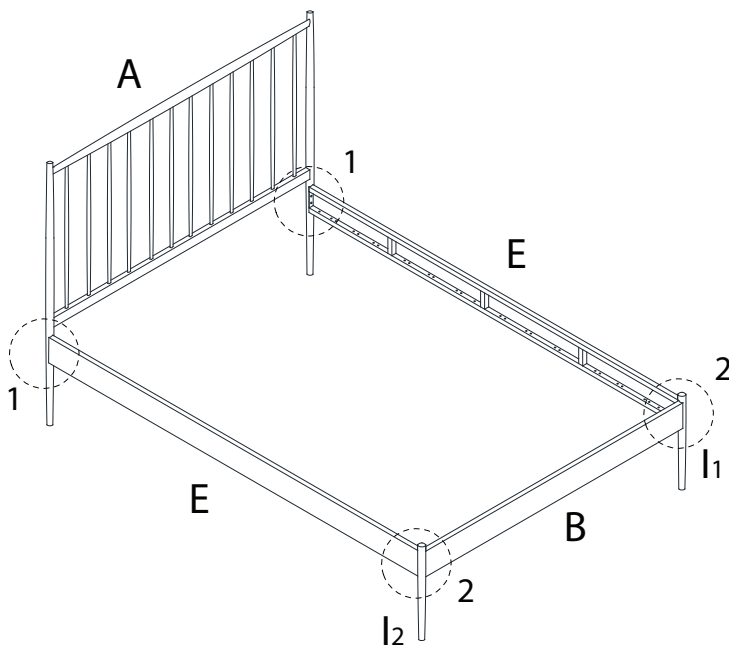
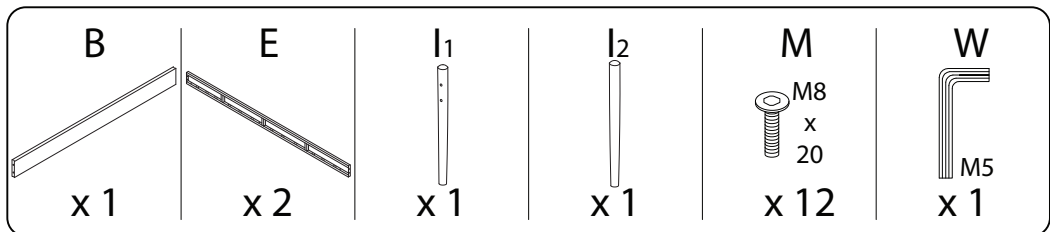


x 1

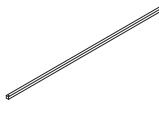
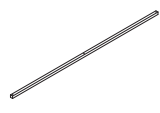
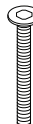

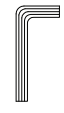

1

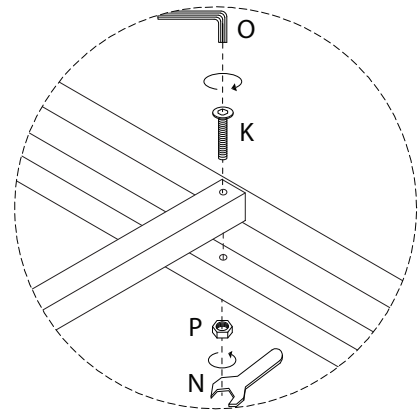
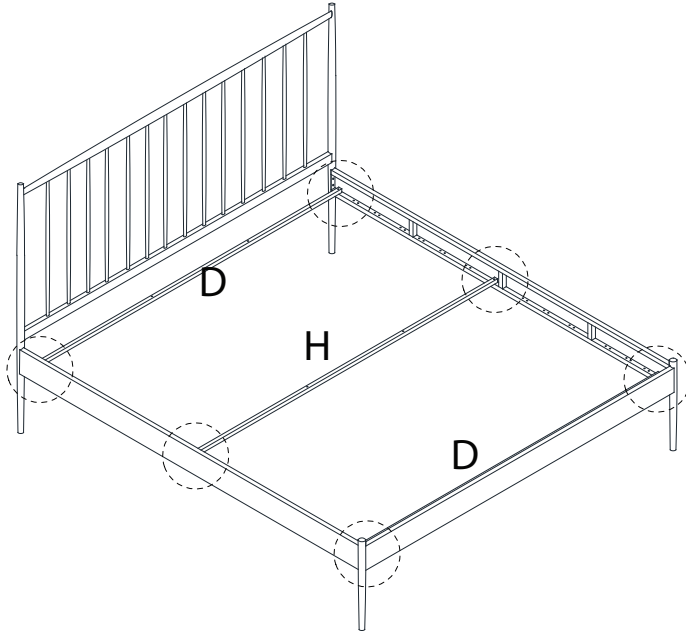


2

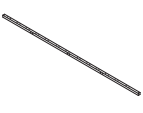
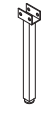

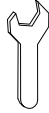
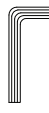

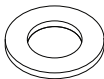


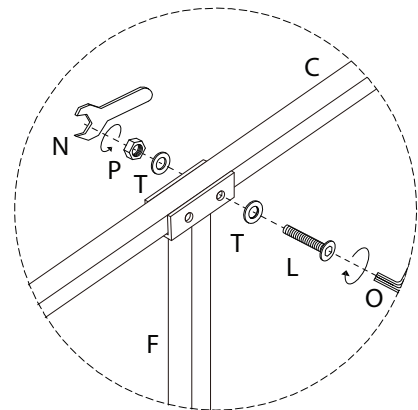
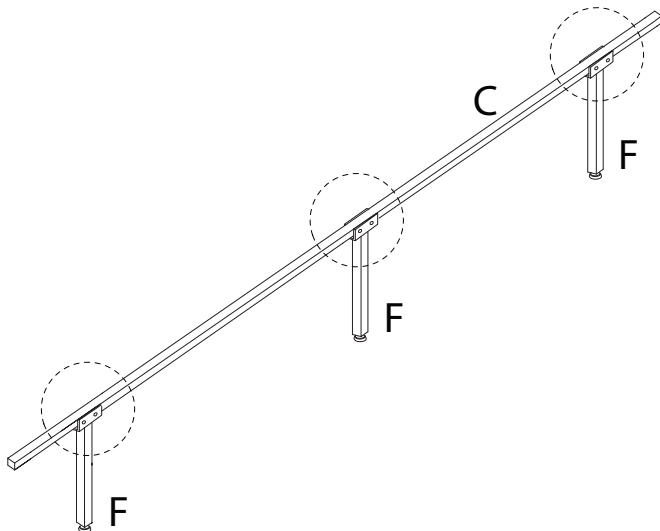
3

D  x2	H  x1	K M6 x 50  x6	N  x1	O  x1	P  x6
--	--	---	--	--	--

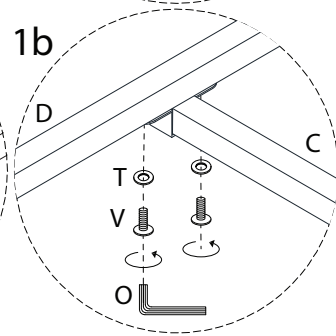
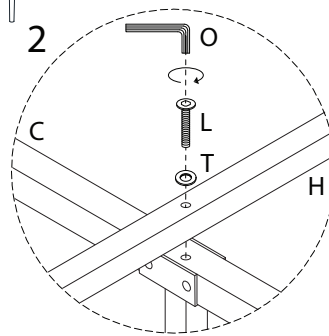
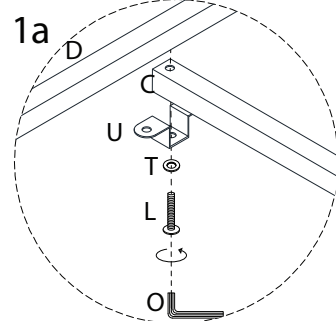
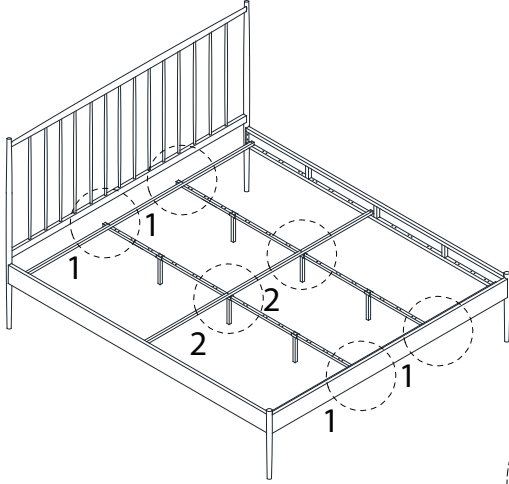
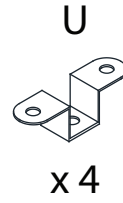
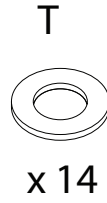
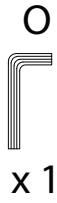
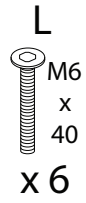


4 x 2

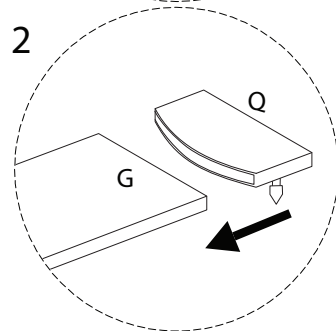
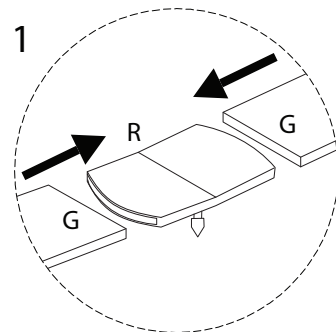
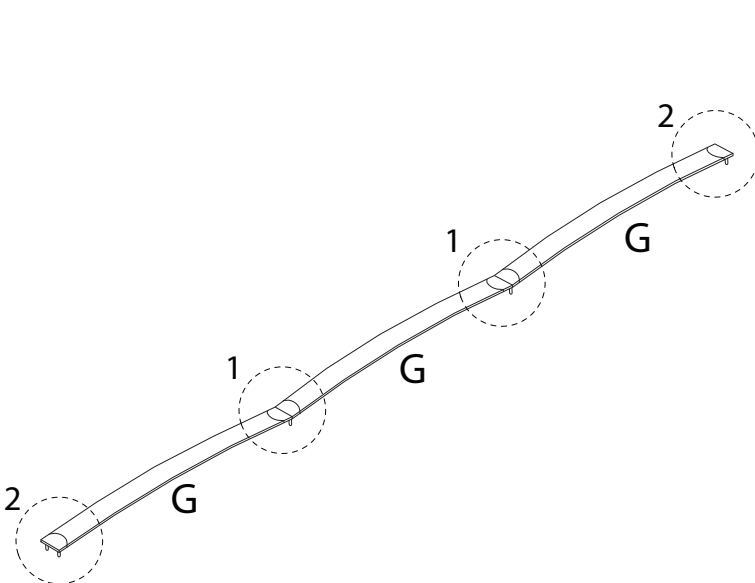
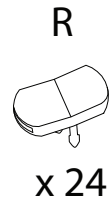
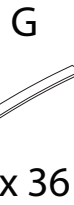
C  x1	F  x3	L M6 x 40  x6	N  x1	O  x1	P  x6	T  x12
--	--	---	--	--	--	---



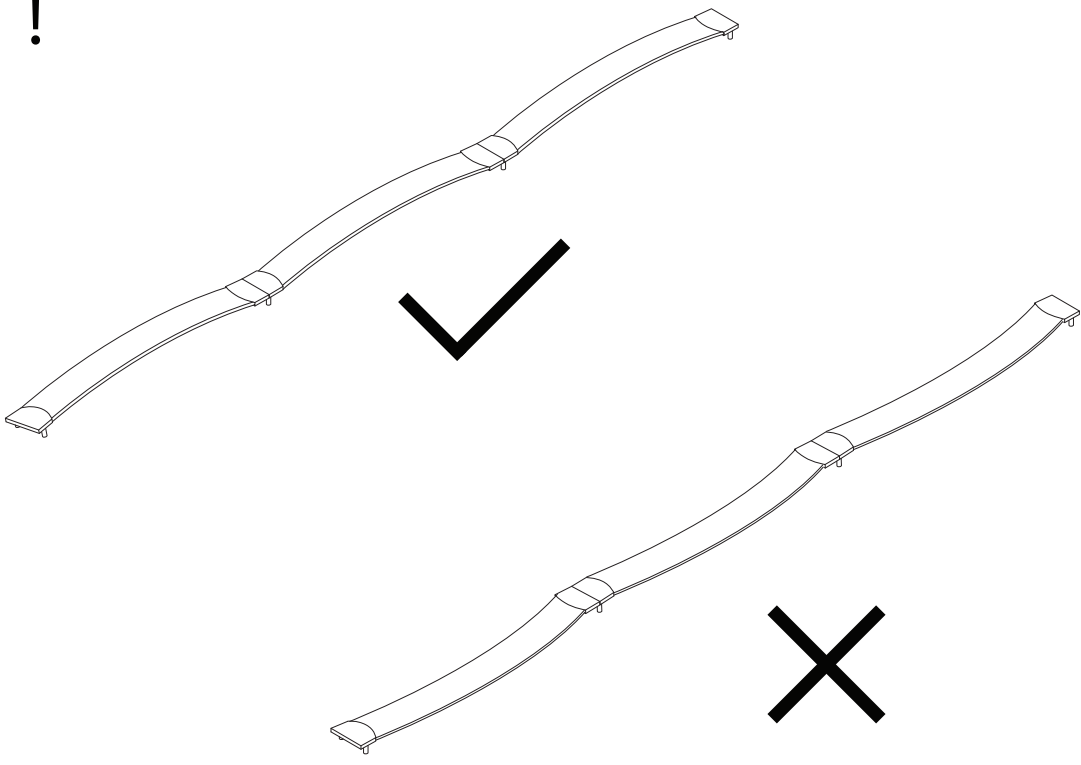
5



6



!



7

