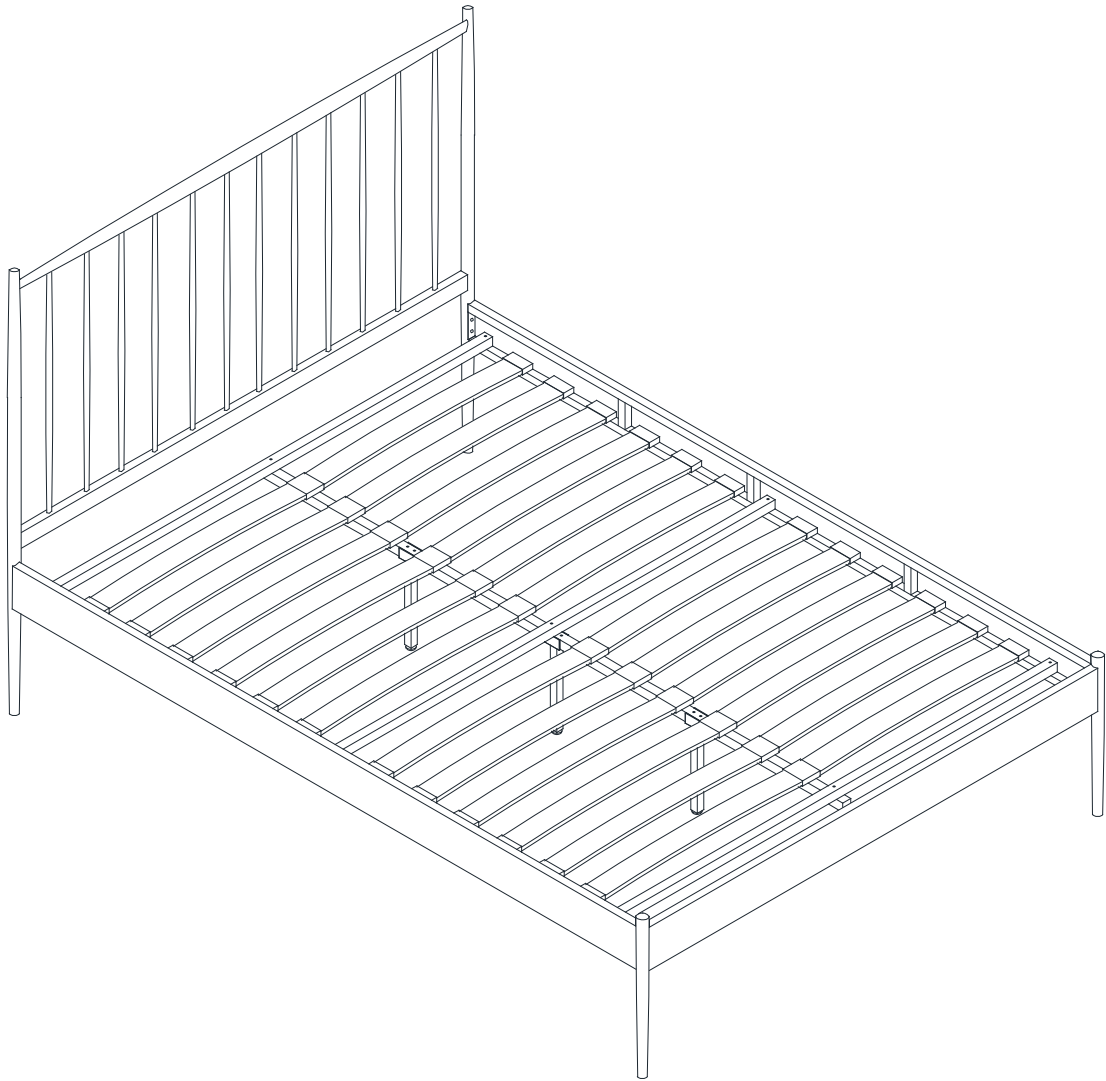
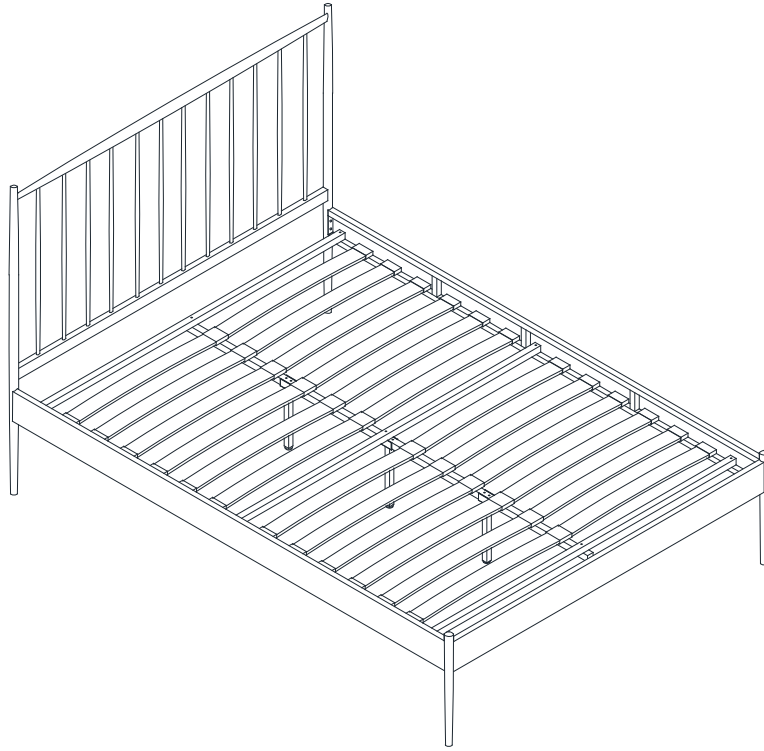
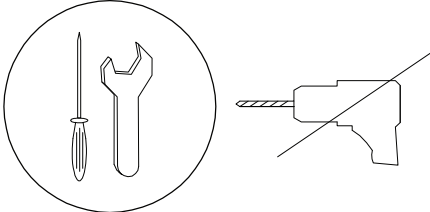

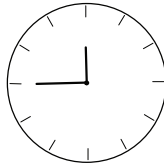
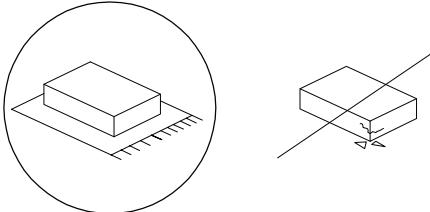


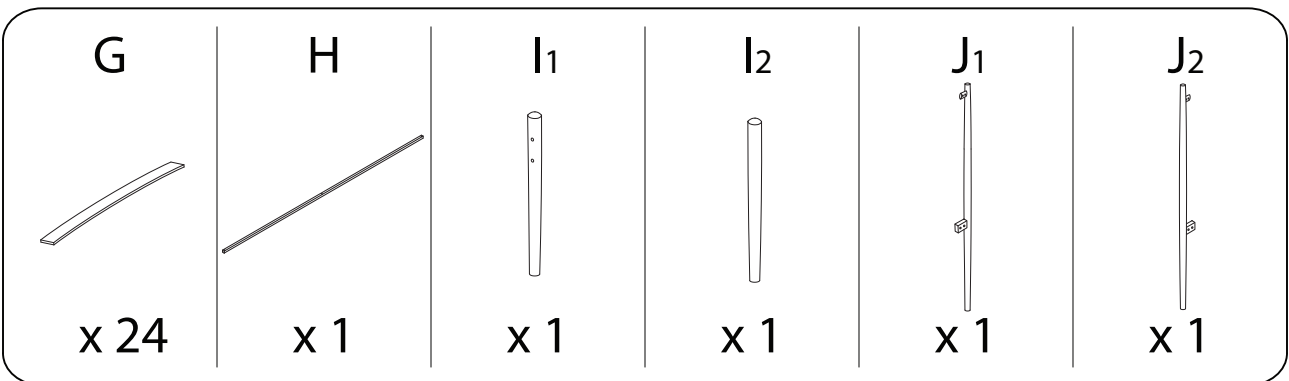
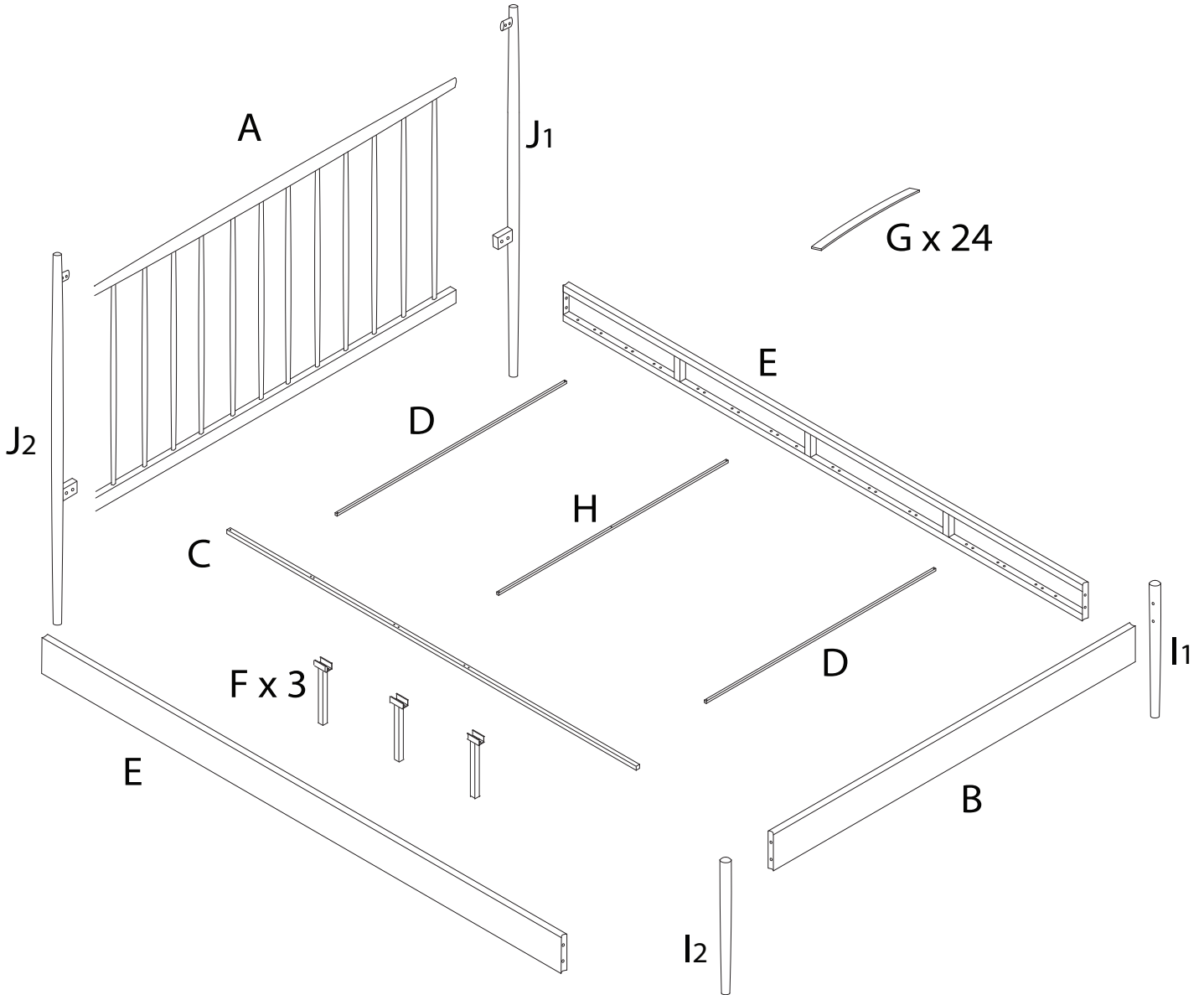
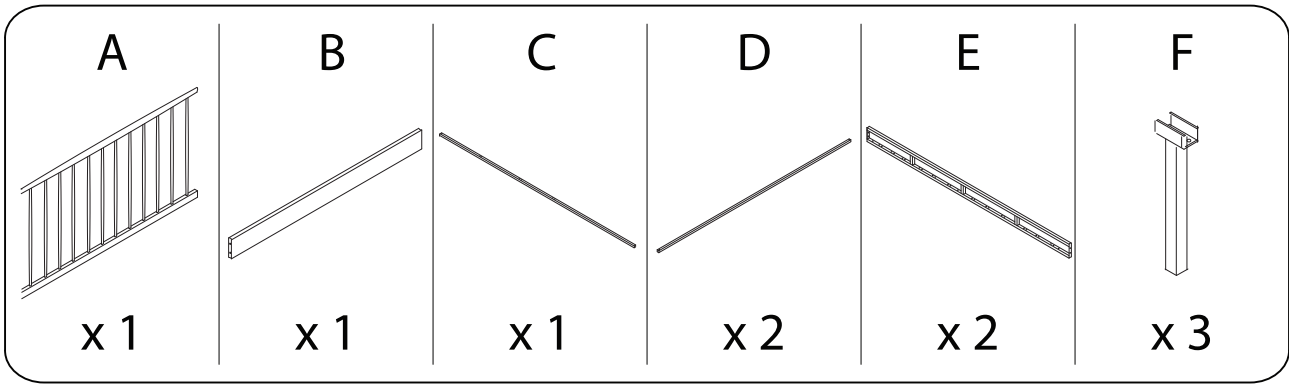


# MAURS

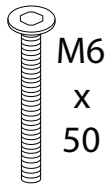




		
		<p>45'</p>
		
		<p>2</p>

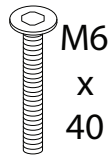


K



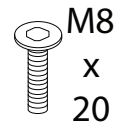
x 6

L



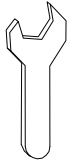
x 9

M



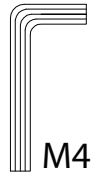
x 20

N



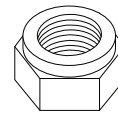
x 1

O



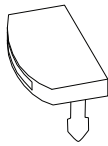
x 1

P



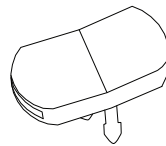
x 12

Q



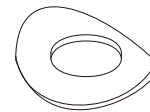
x 24

R



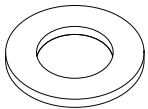
x 12

S



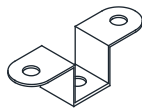
x 4

T



x 19

U



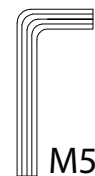
x 2

V



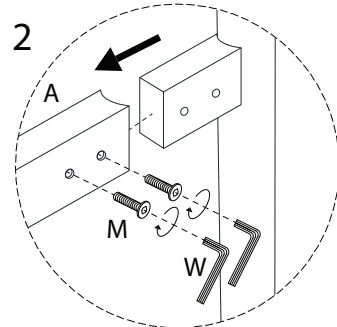
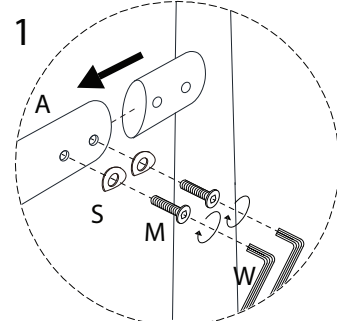
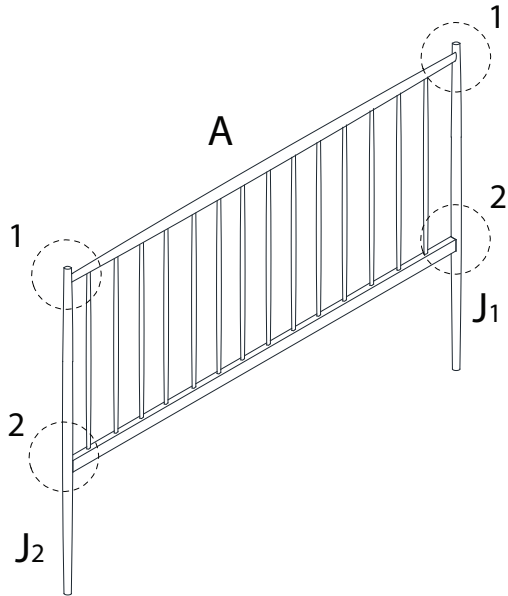
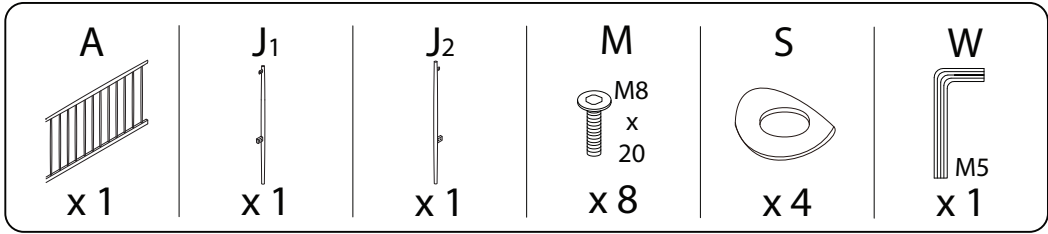
x 4

W

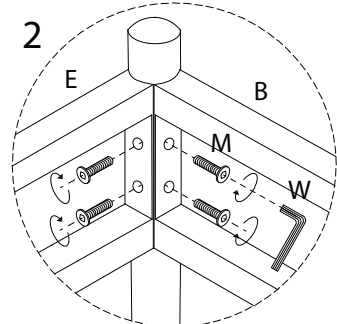
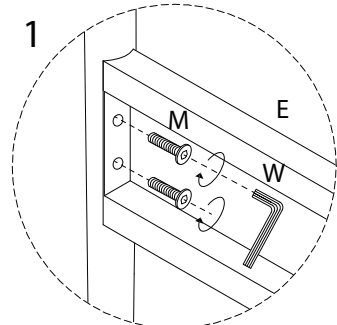
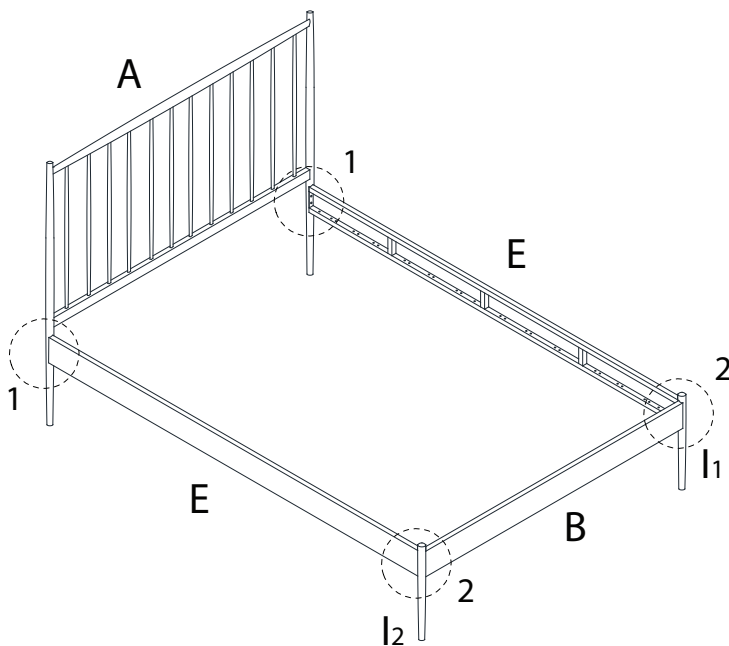
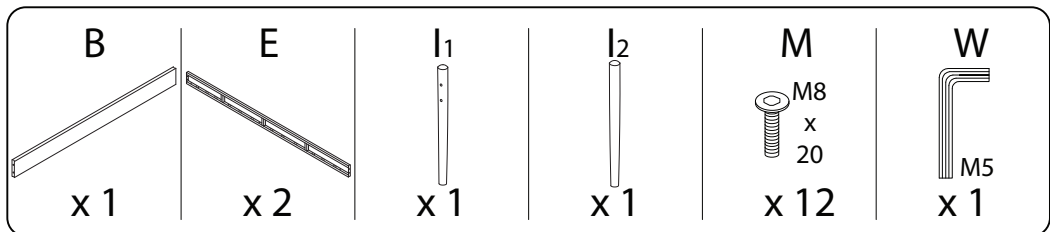


x 1

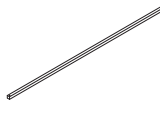
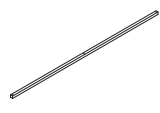
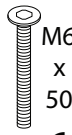

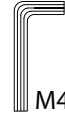

1

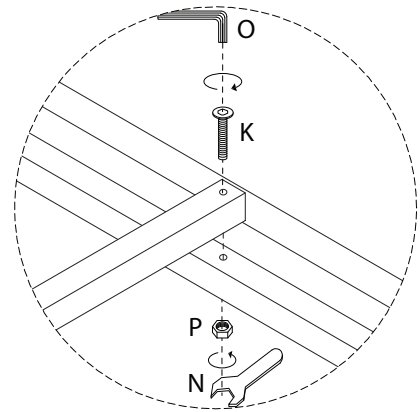
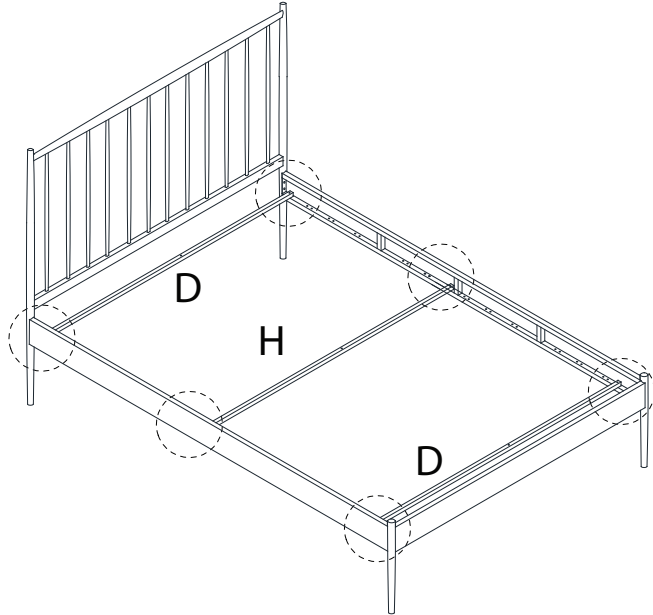


2

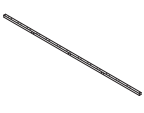
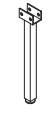
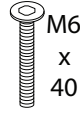
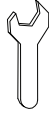
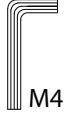




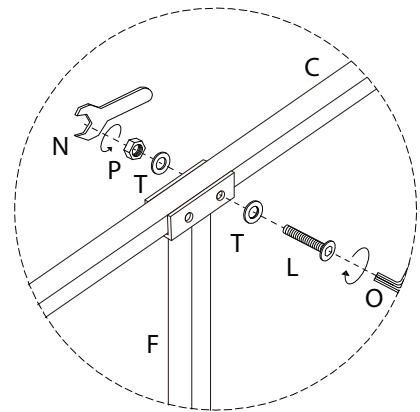
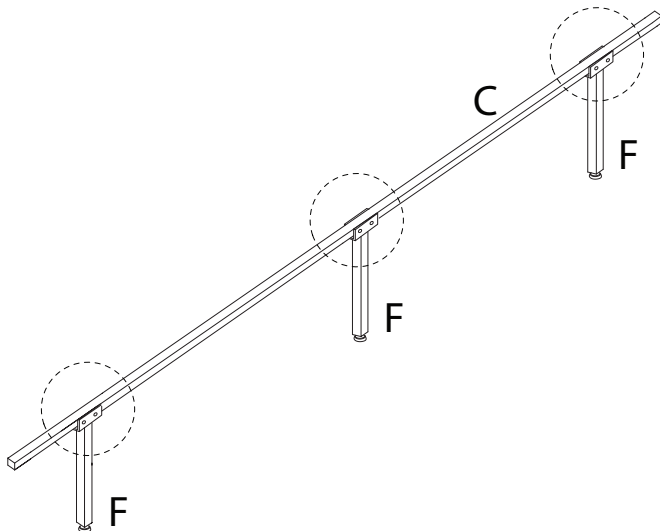
3

D	H	K	N	O	P
		 M6 x 50		 M4	
x 2	x 1	x 6	x 1	x 1	x 6

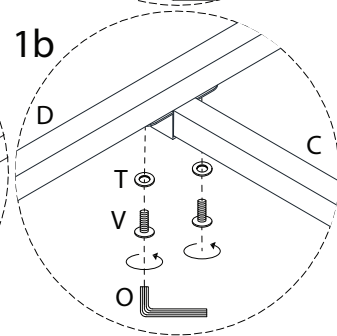
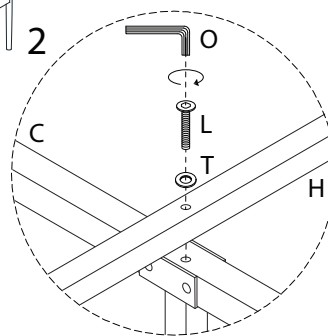
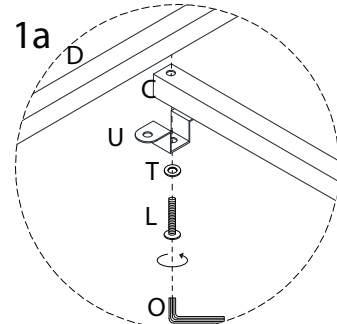
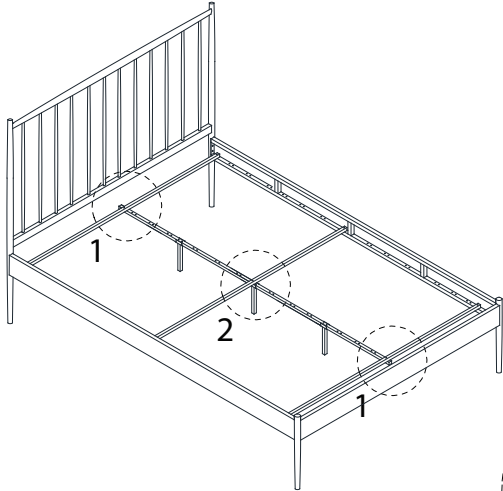
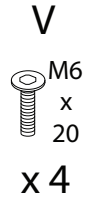
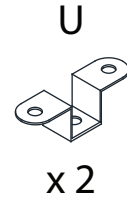
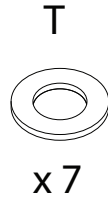
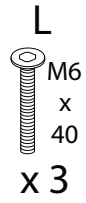


4

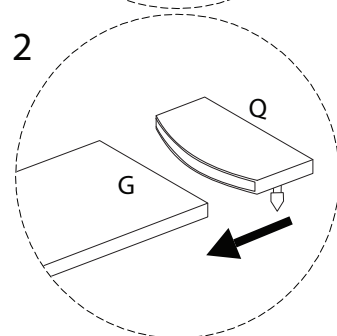
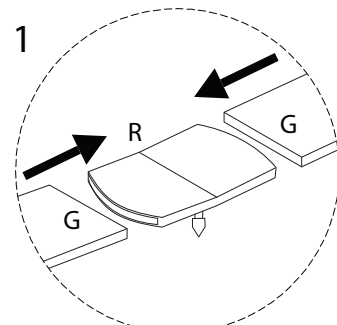
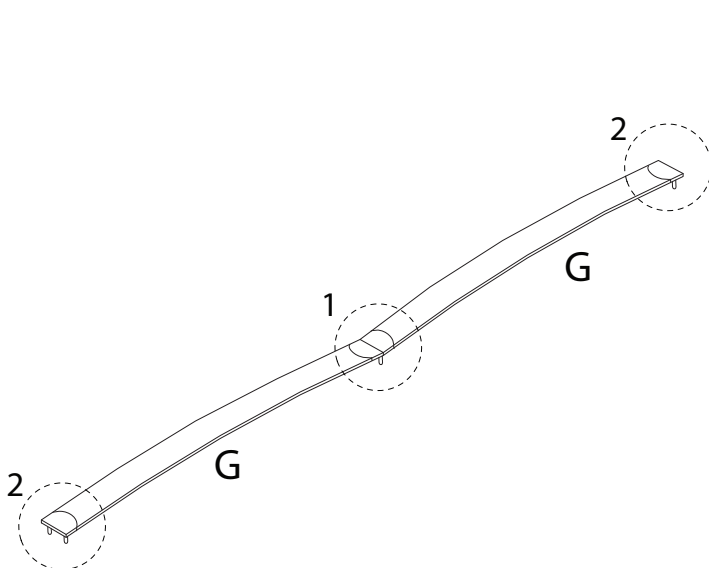
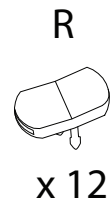
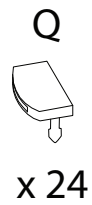
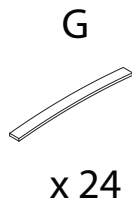
C	F	L	N	O	P	T
		 M6 x 40		 M4		
x 1	x 3	x 6	x 1	x 1	x 6	x 12



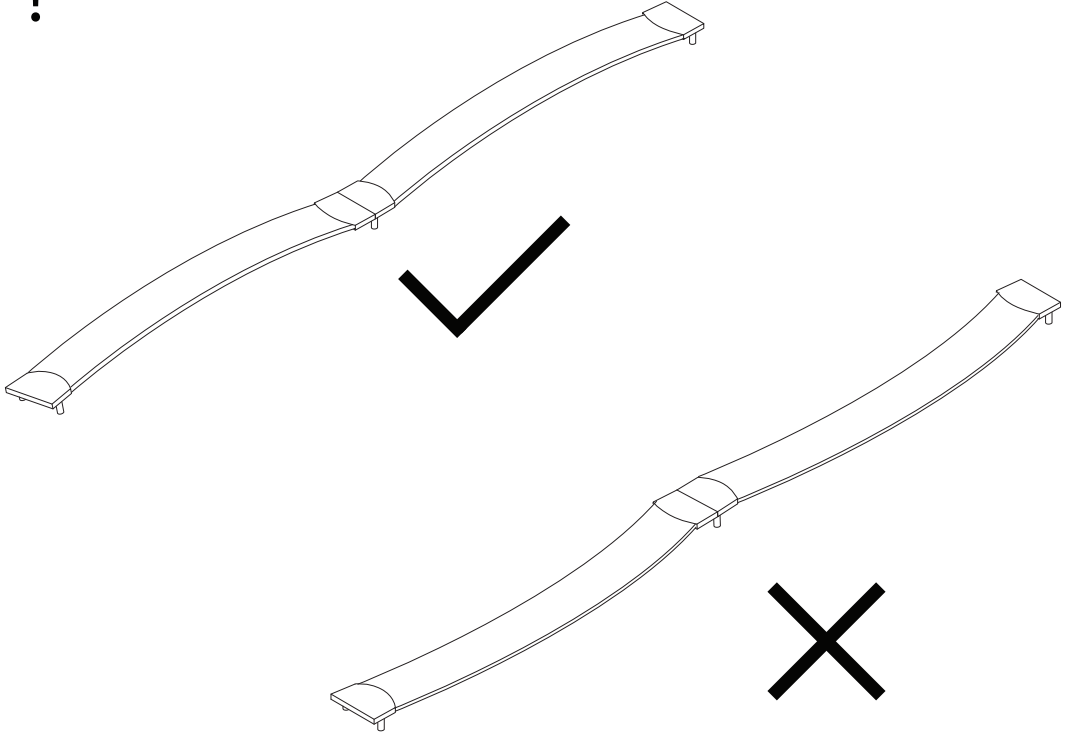
5



6



!



7

