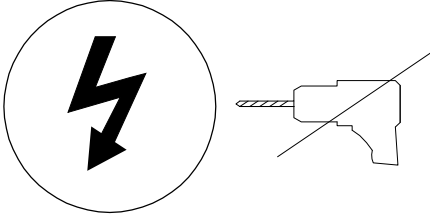

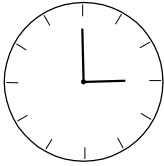
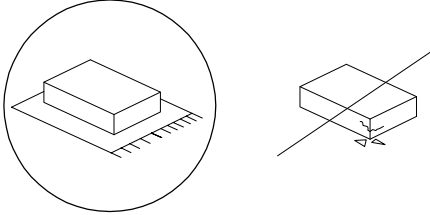
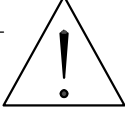
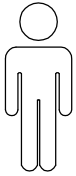
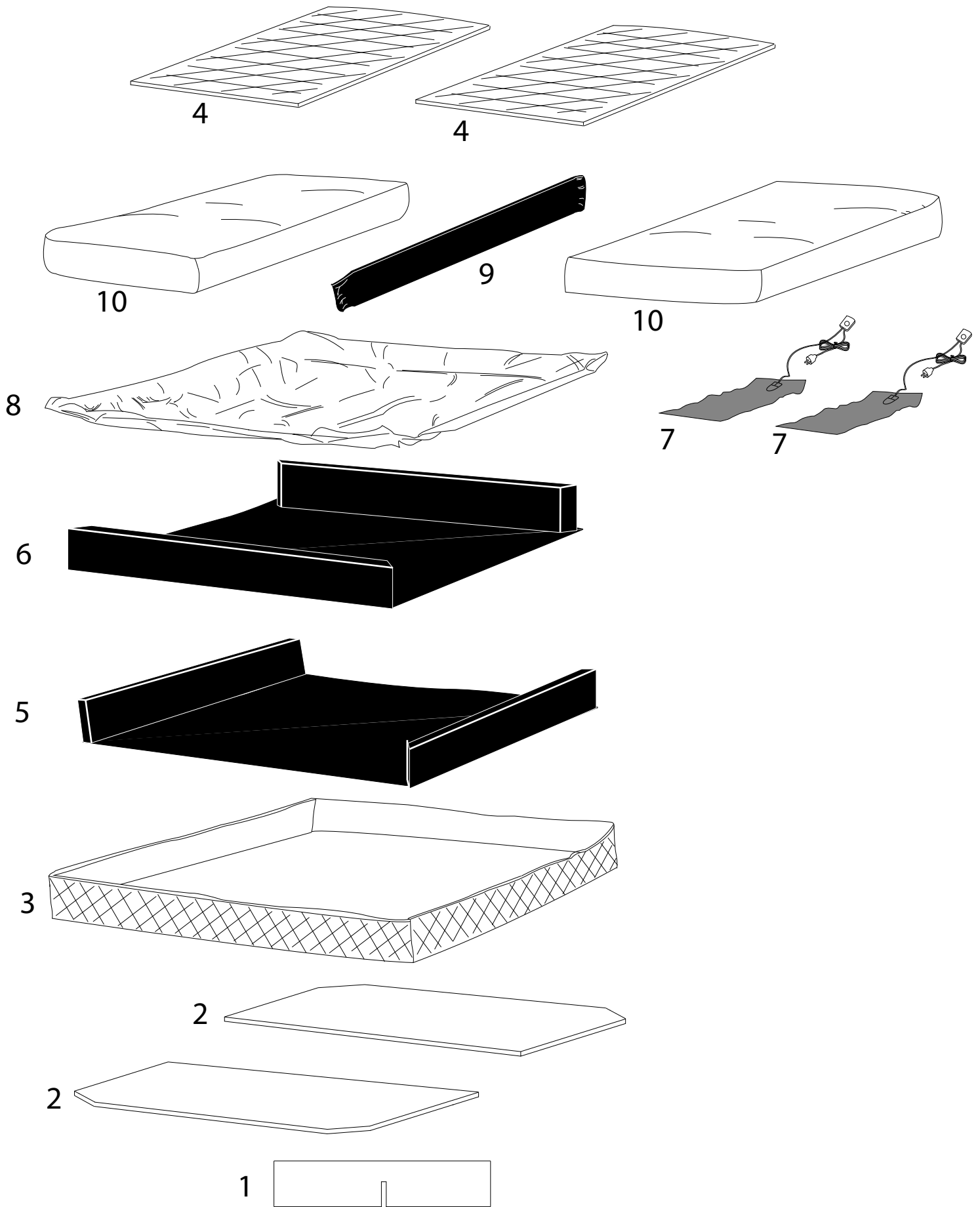


|   |   |   |
|---|---|---|
|  |  |  |
|   |   | 180'  |
|  |  |  |
|   |   | 2   |



1



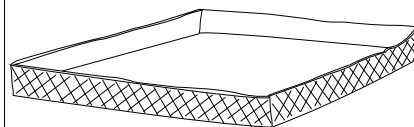
x 10

2



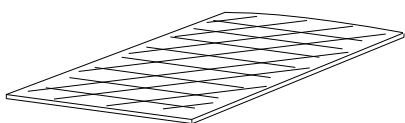
x 2

3



x 1

4



x 2

5



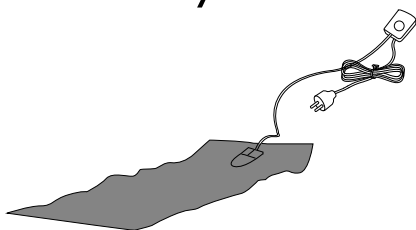
x 1

6



x 1

7



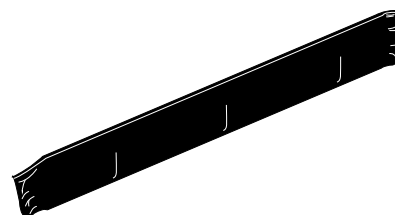
x 2

8



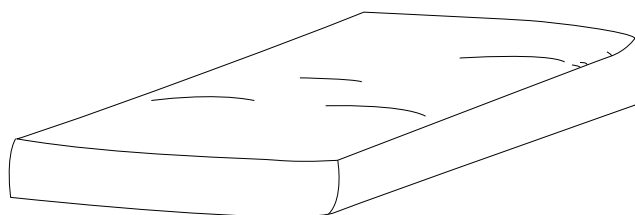
x 1

9



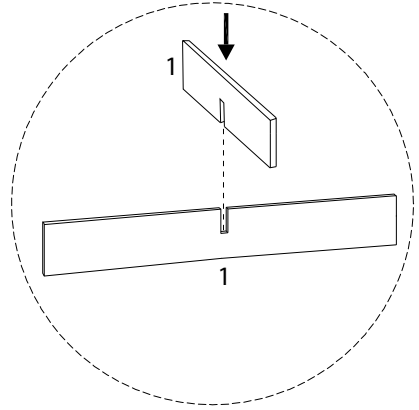
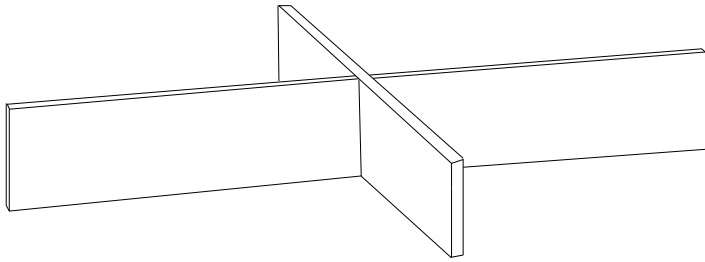
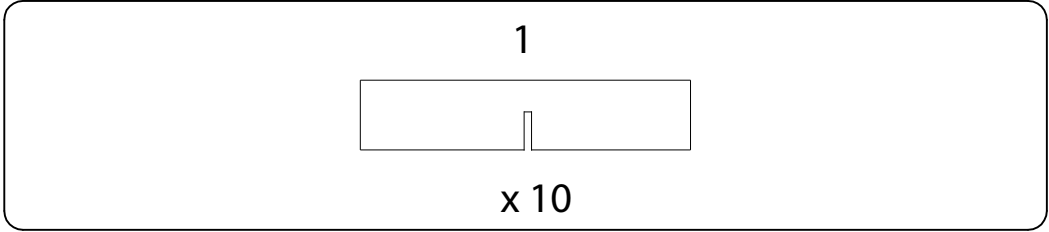
x 1

10

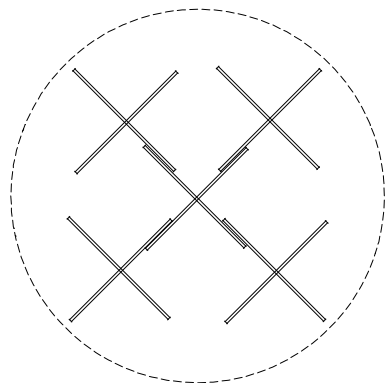
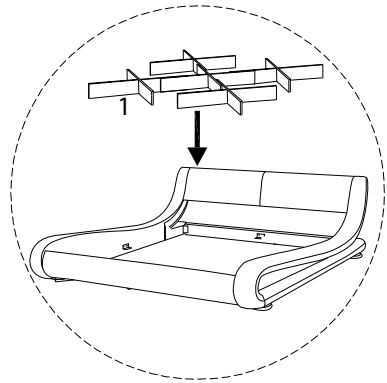
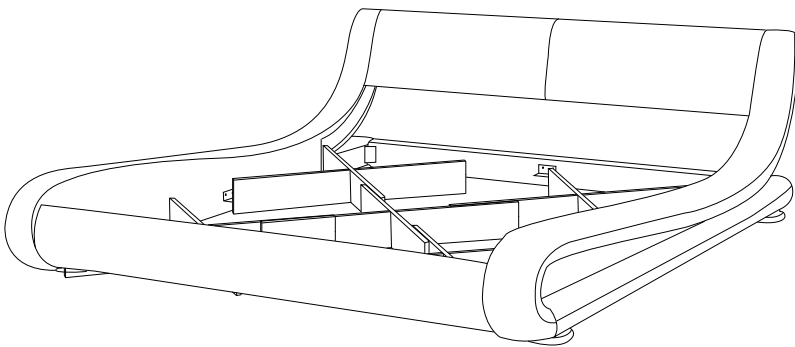


x 2

1

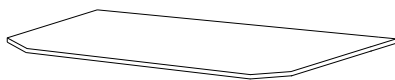


2

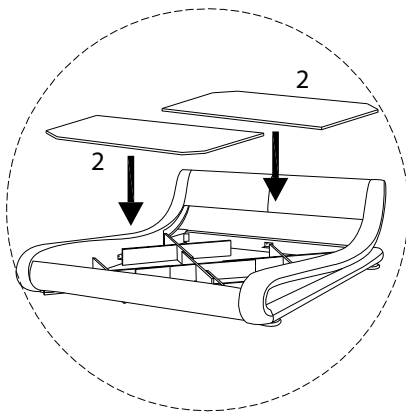
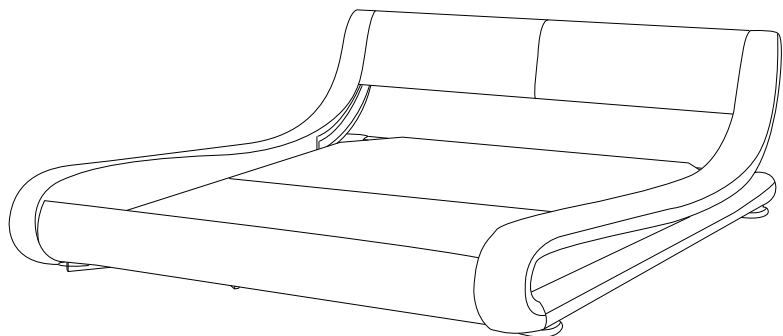


3

2

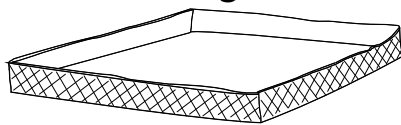


x2

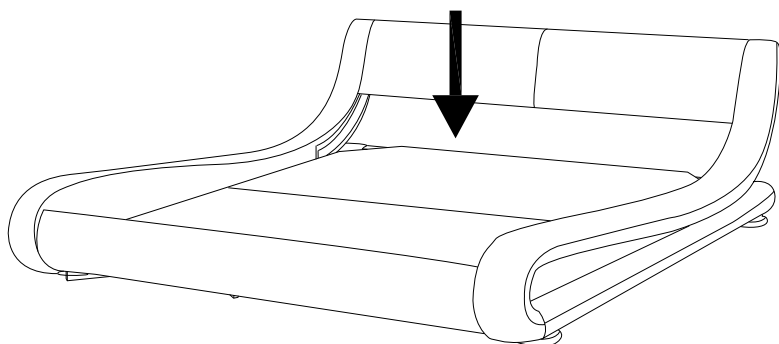
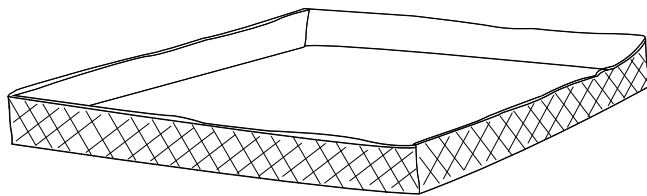


5

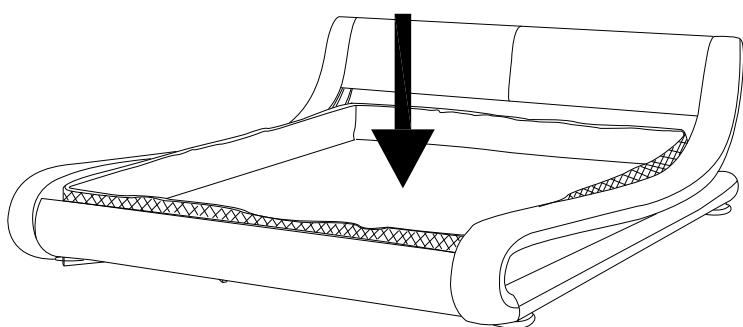
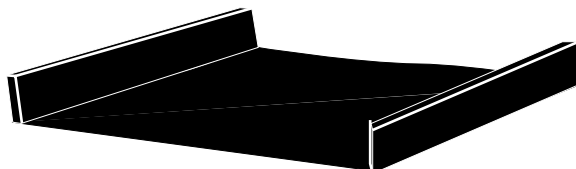
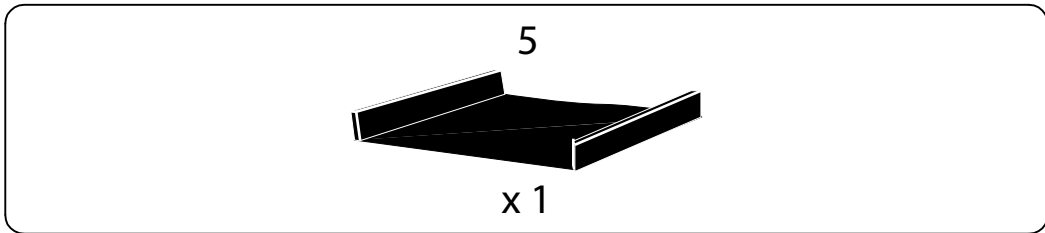
3



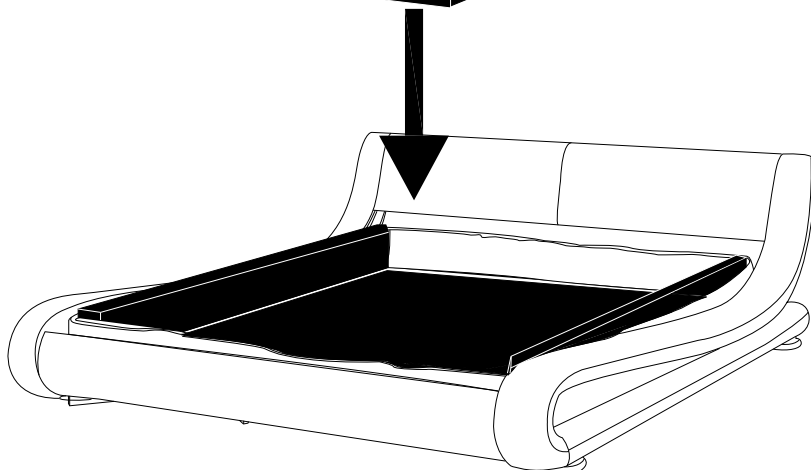
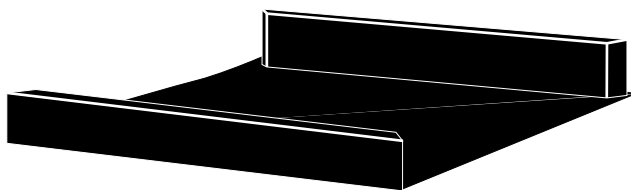
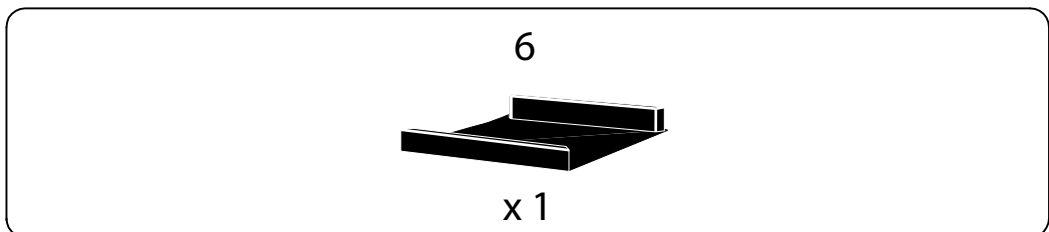
x1



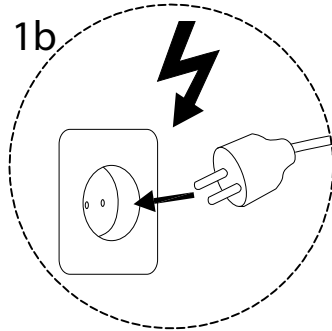
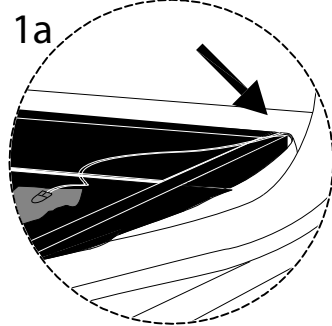
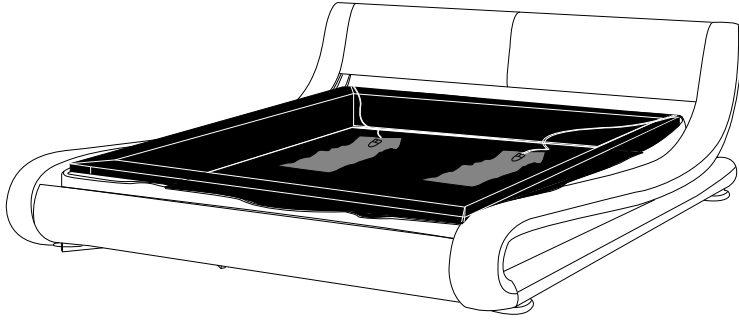
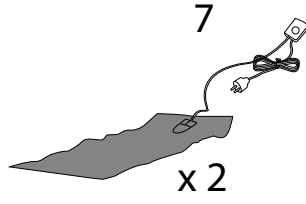
6



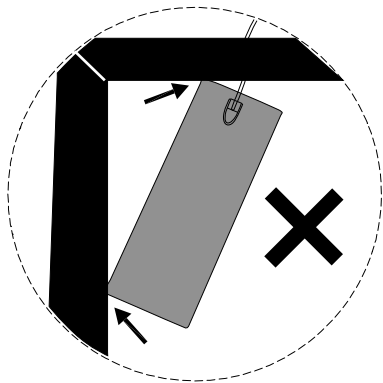
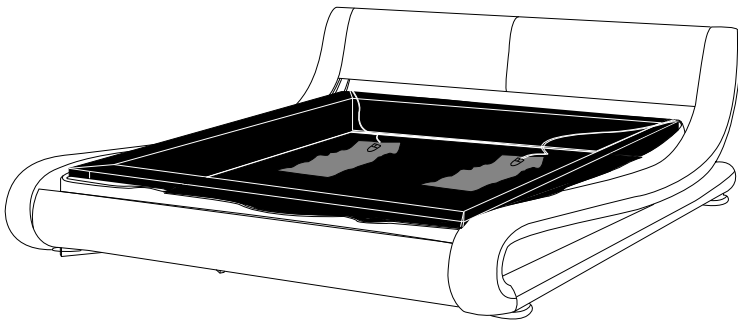
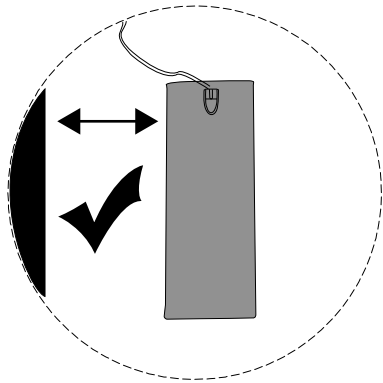
7



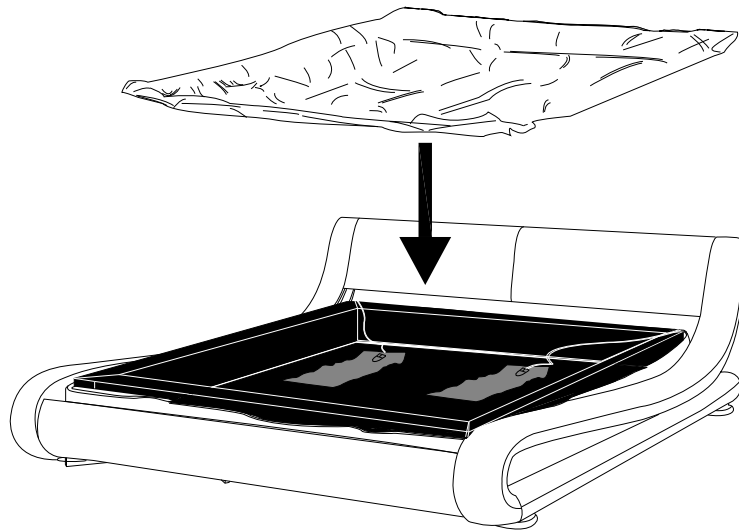
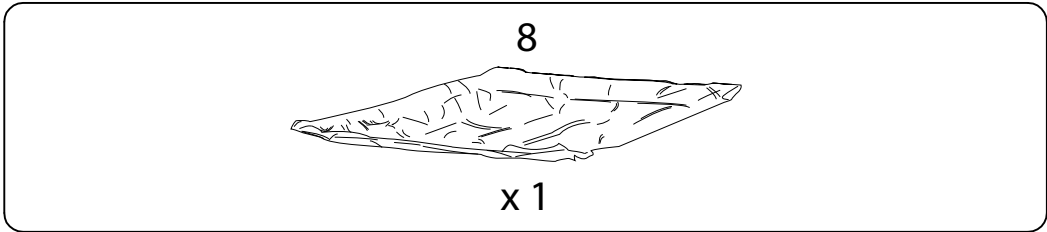
8



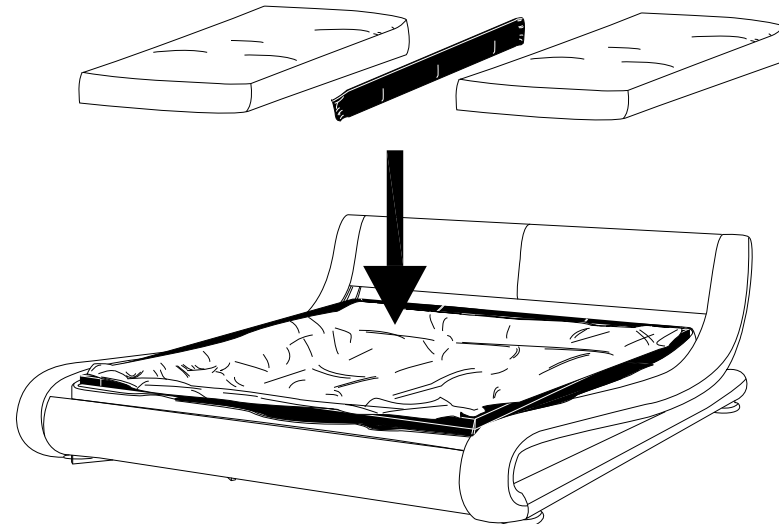
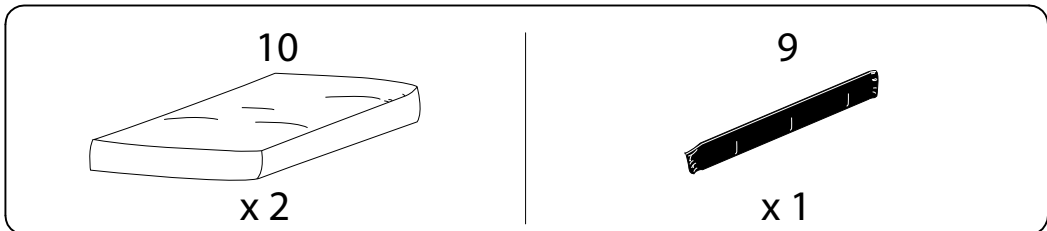
!



9

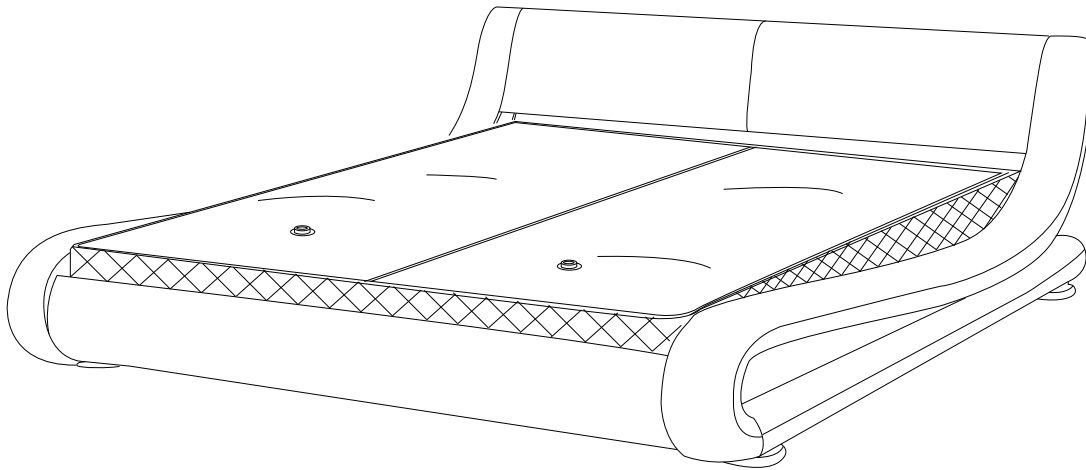
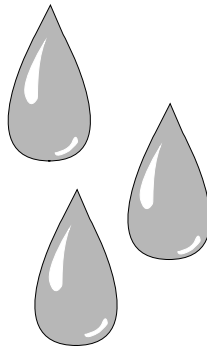


10





11



12

