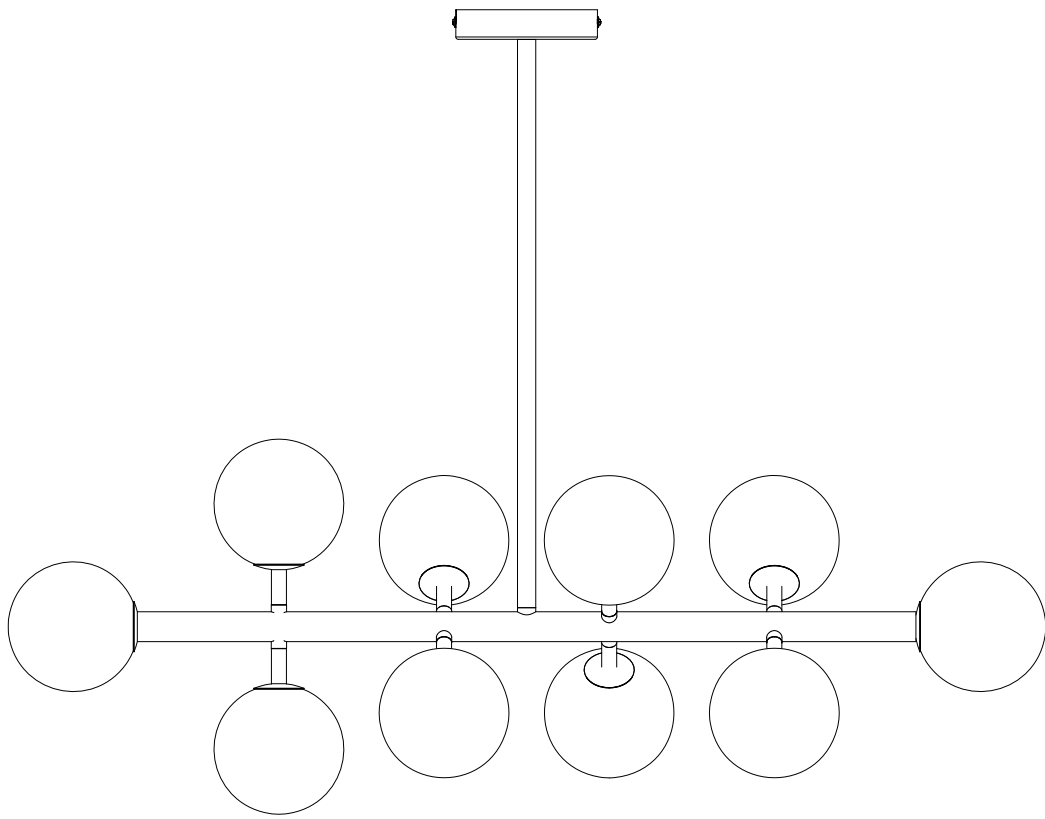
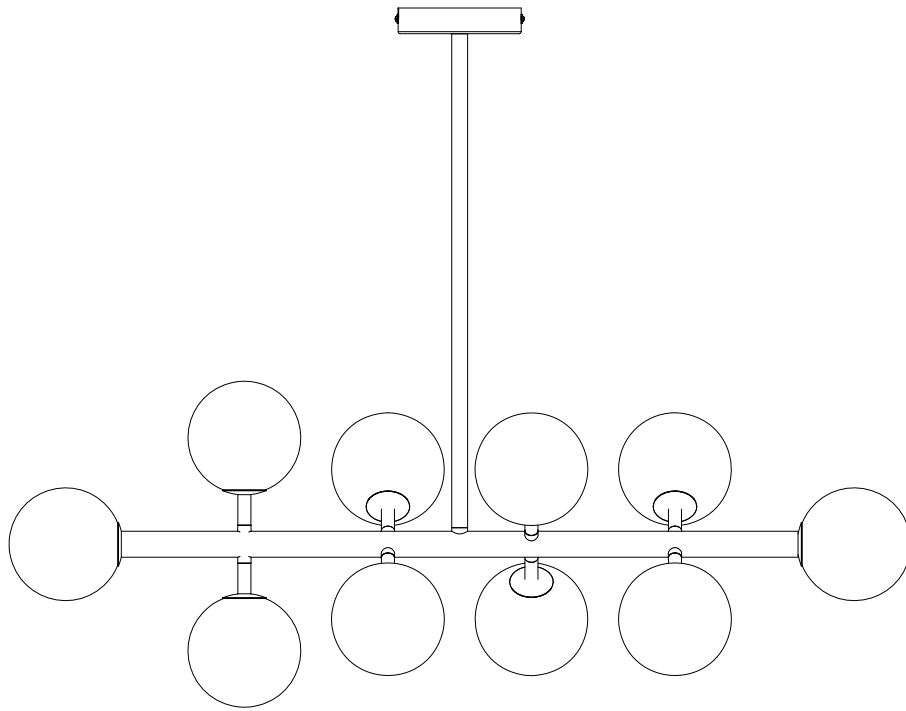
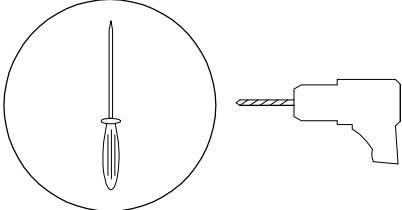

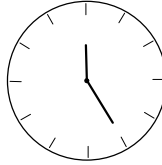
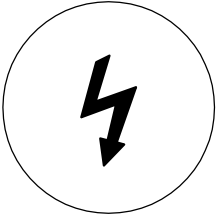

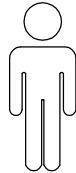
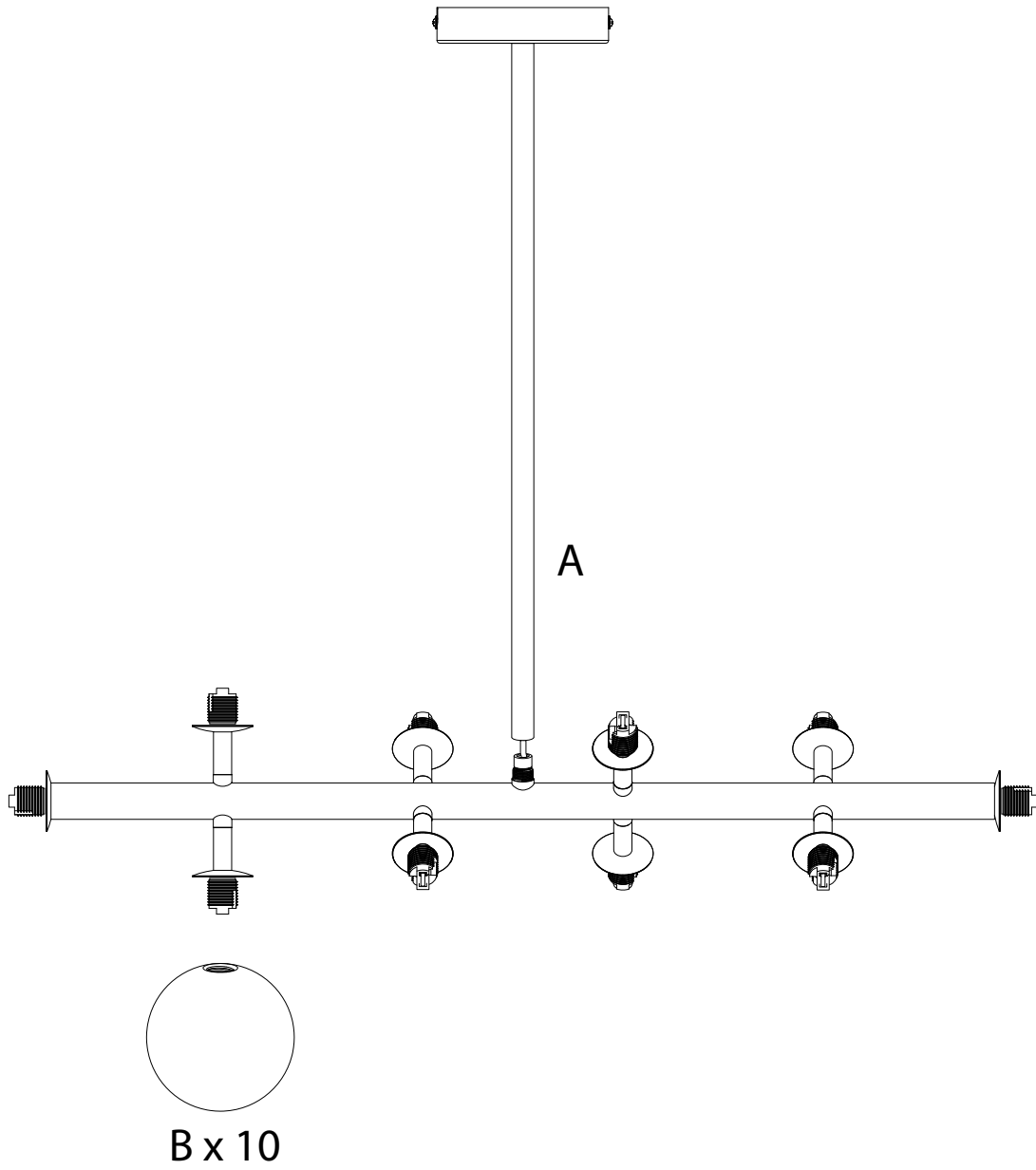


RAMIS



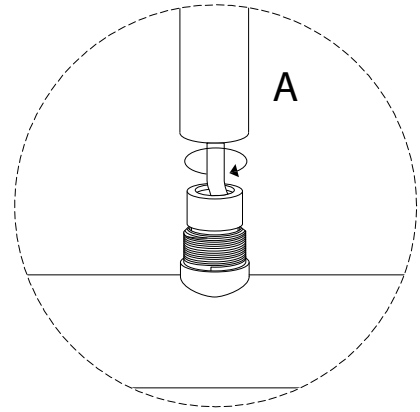
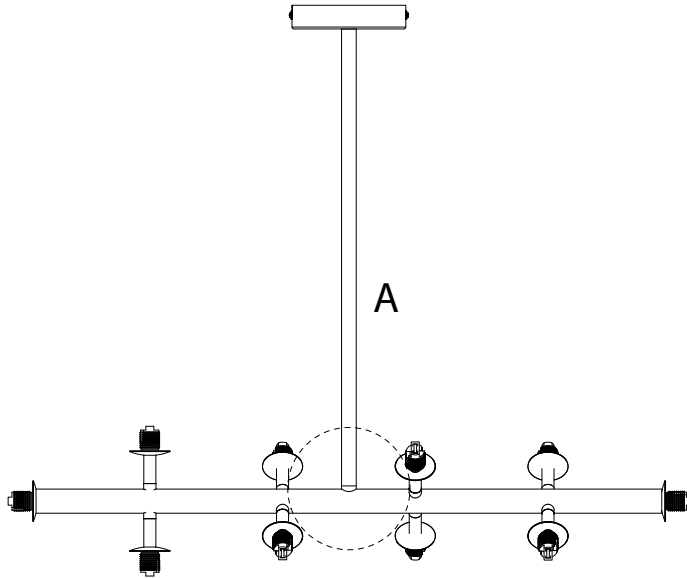
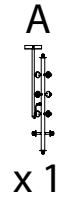


		
		<p>25'</p>
		
		<p>1</p>

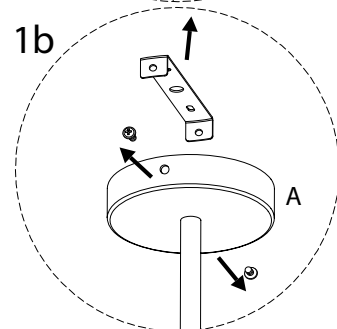
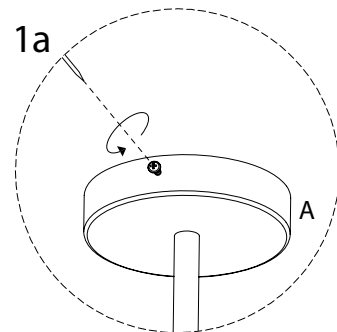
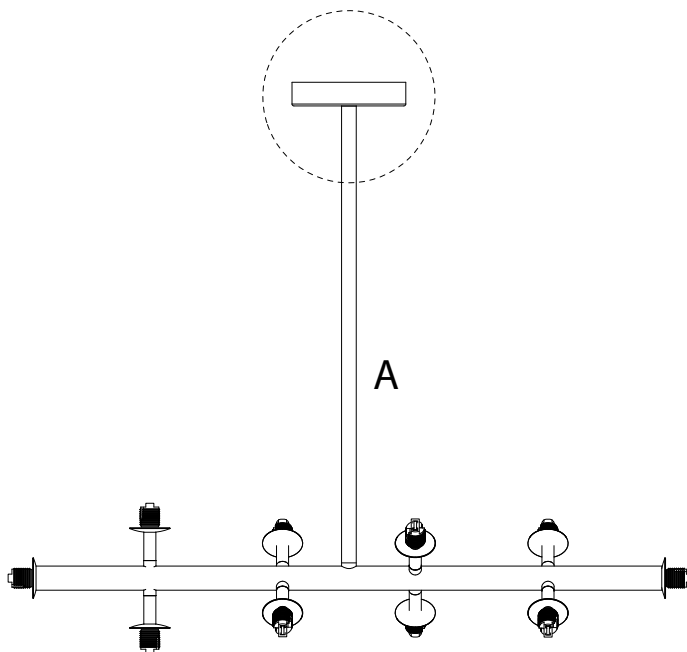


<p>A</p> <p>x 1</p>	<p>B</p> <p>x 10</p>	<p>C</p> <p>x 2</p>	<p>D</p> <p>x 2</p>
----------------------------	-----------------------------	----------------------------	----------------------------

1

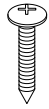


2



3

B

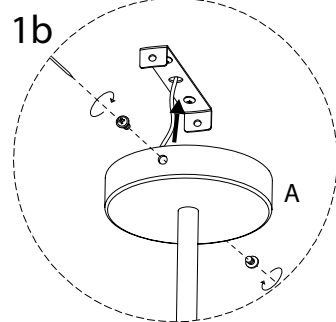
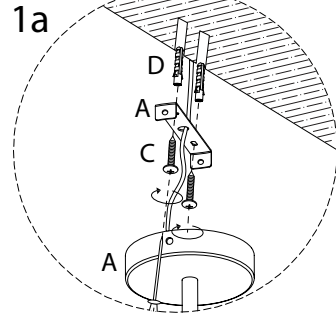
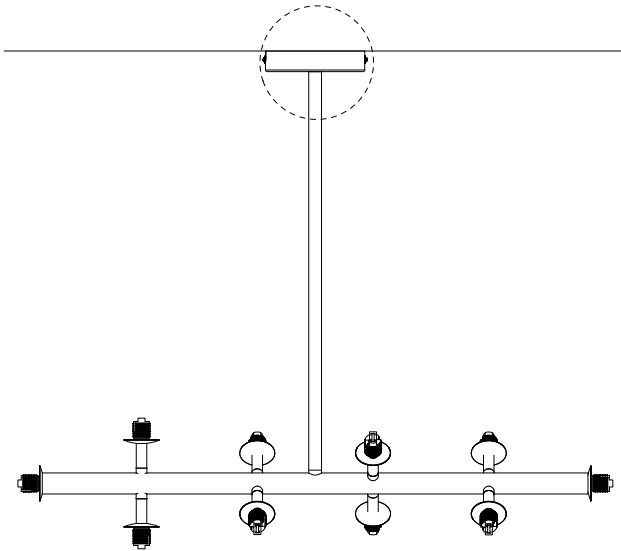


x 2

C



x 2



4

B



x 10

