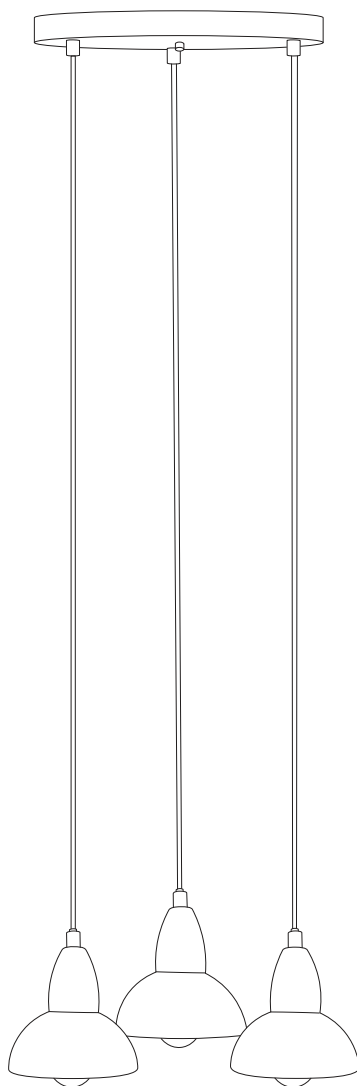
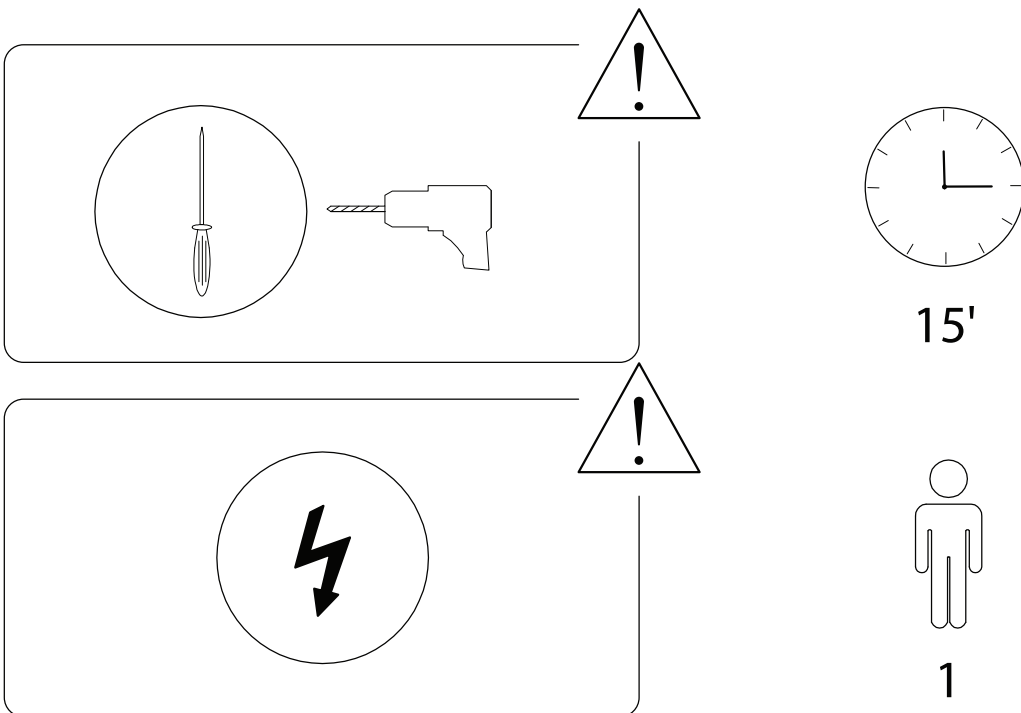
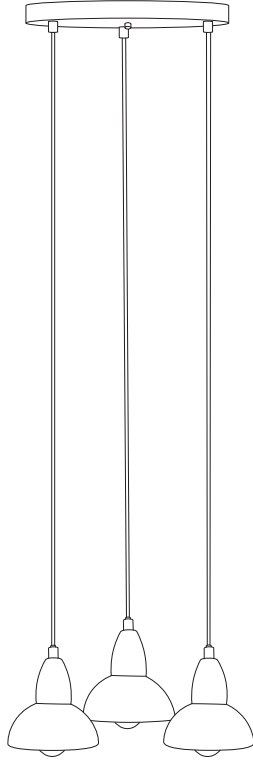
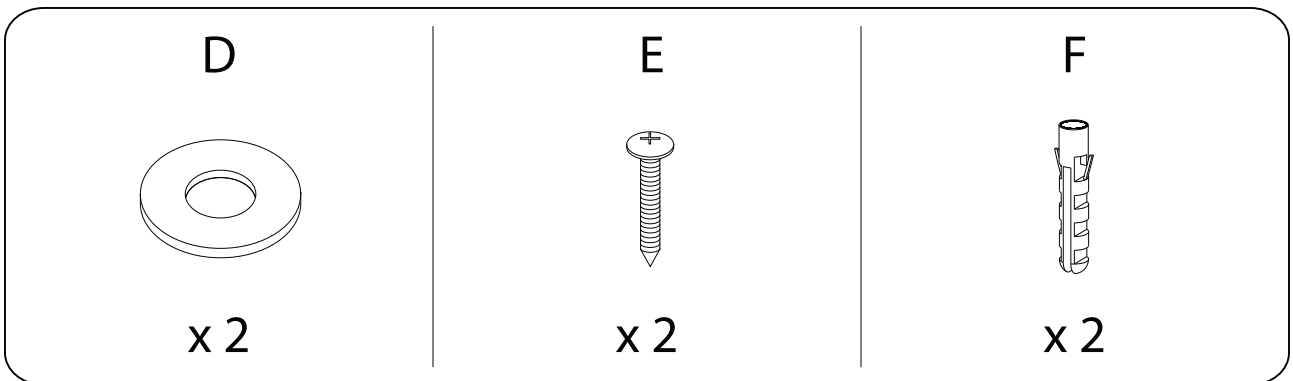
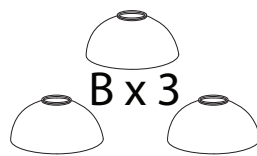
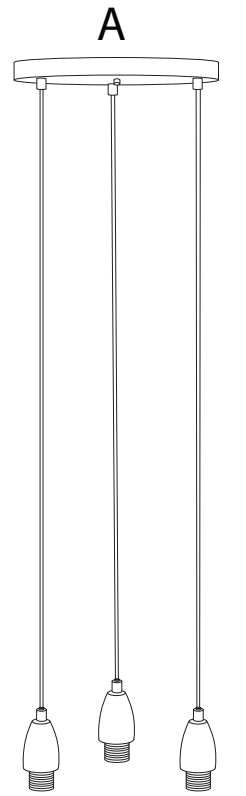
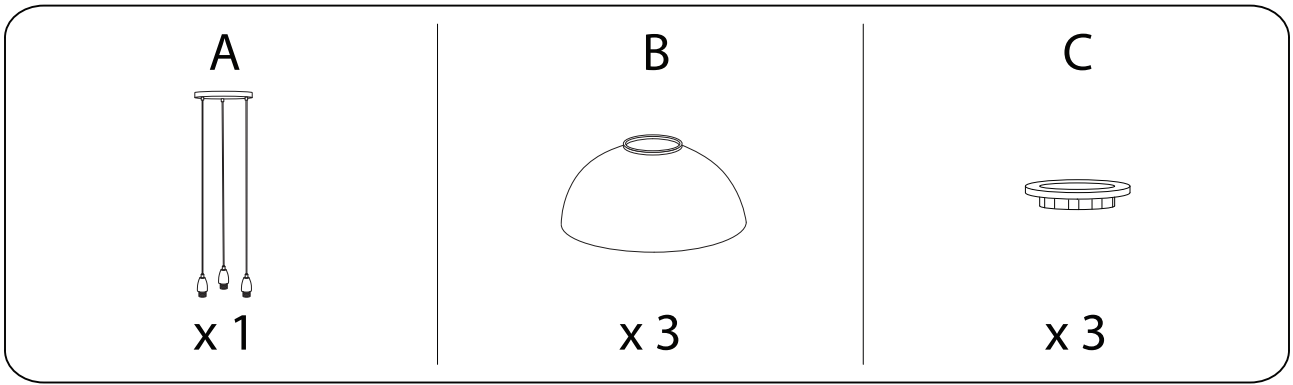


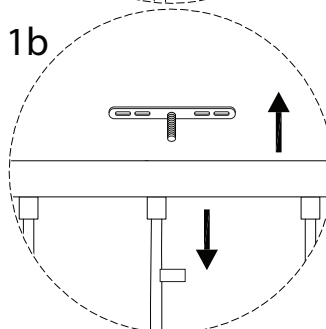
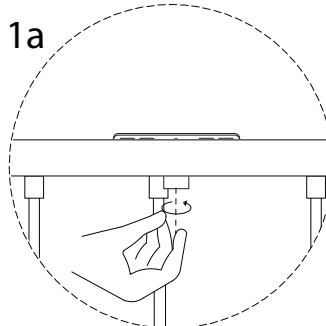
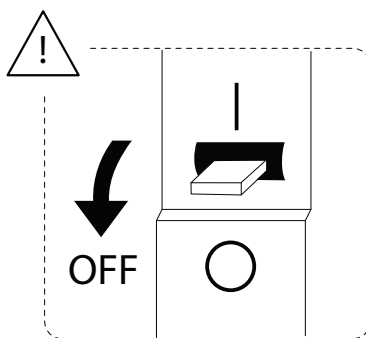
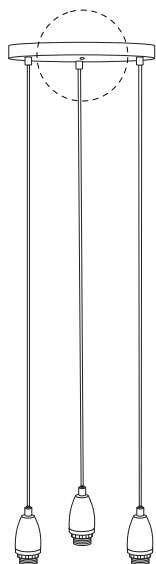
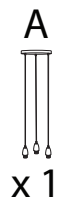
CASTALY



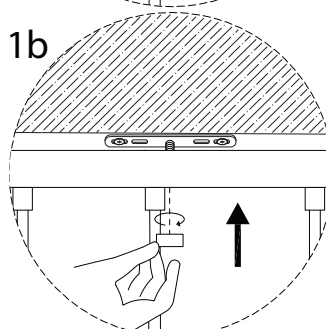
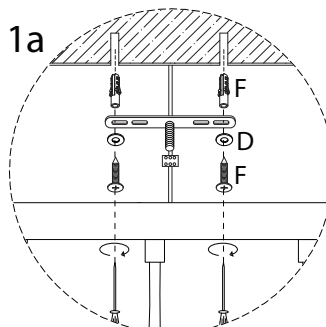
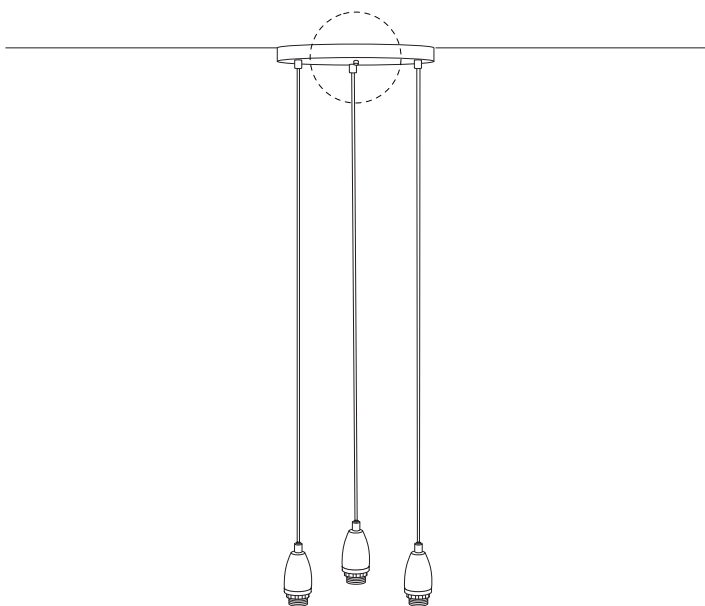
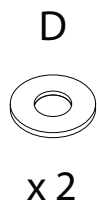




1



2



3

B



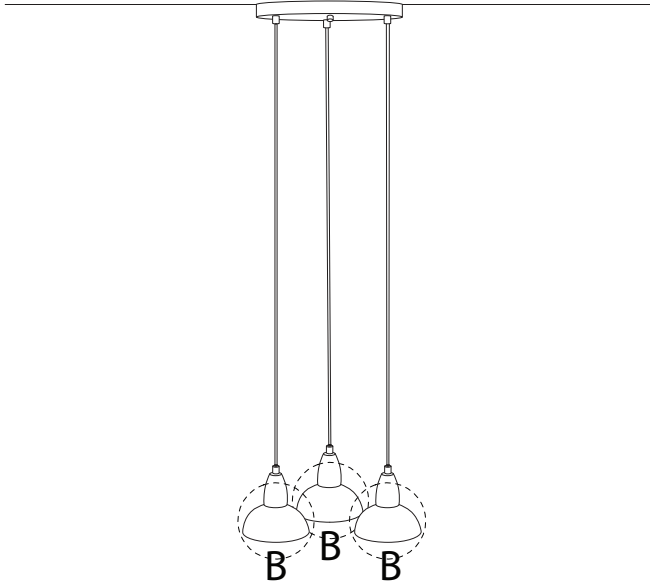
x 3

C

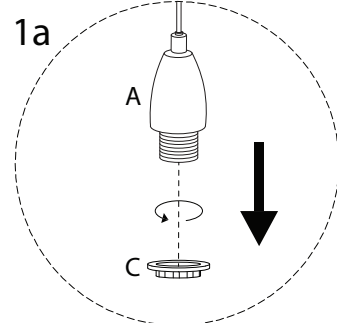


x 3

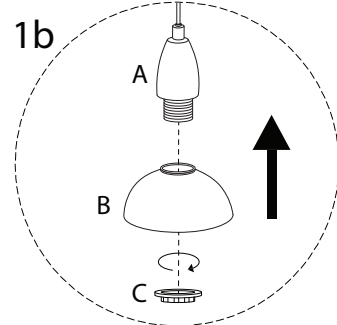
A



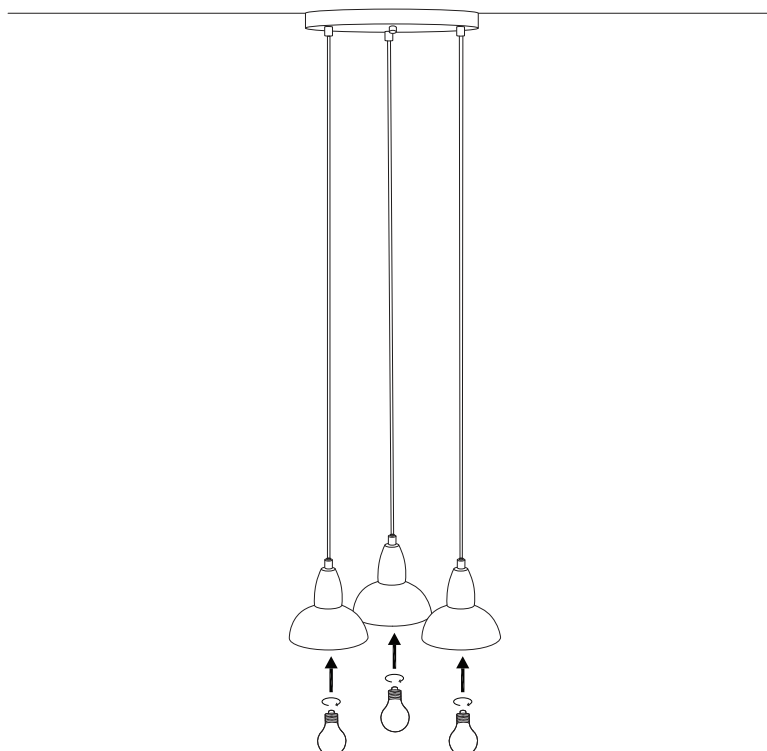
1a



1b



4



!

