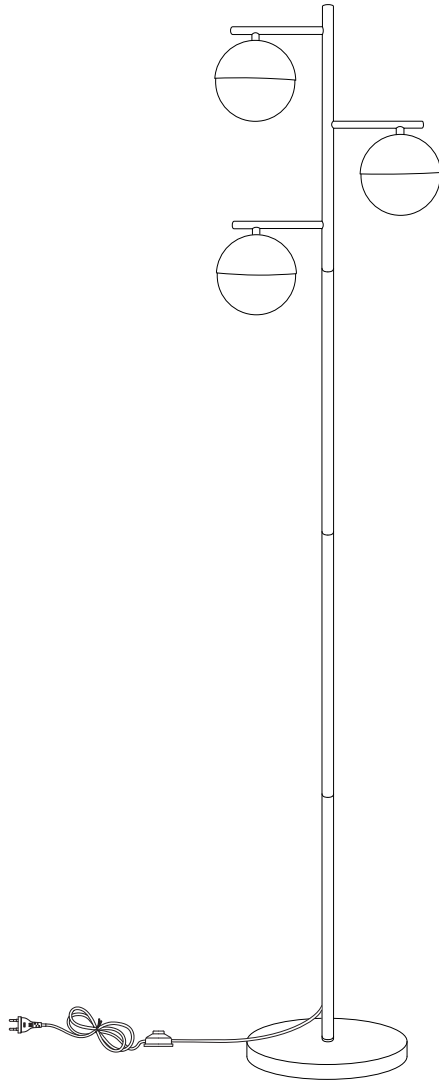
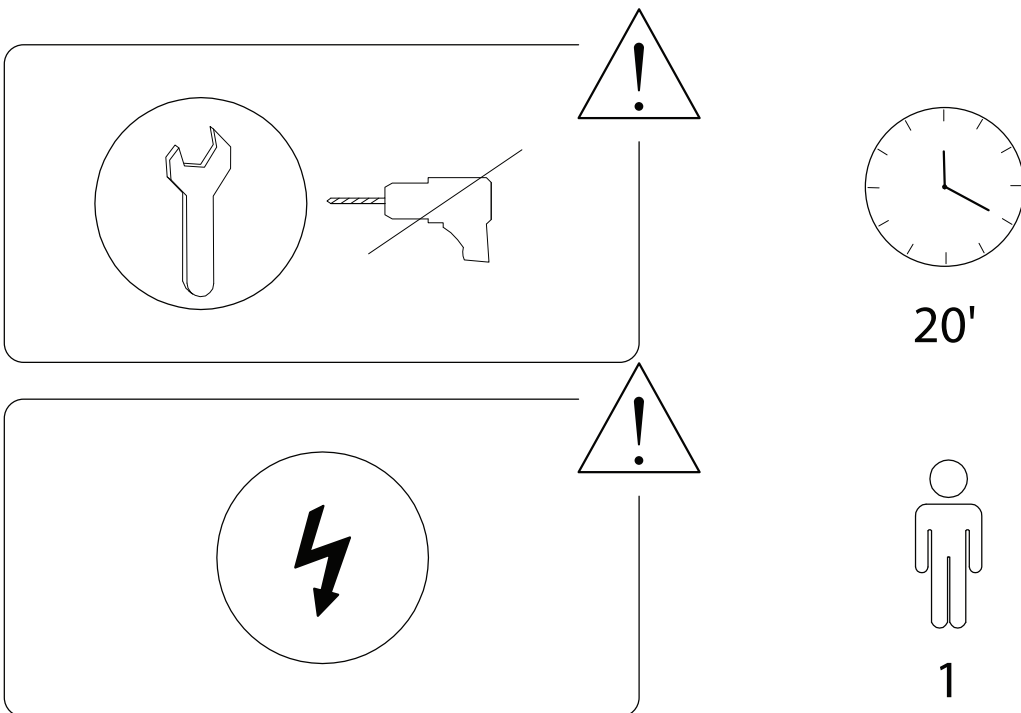
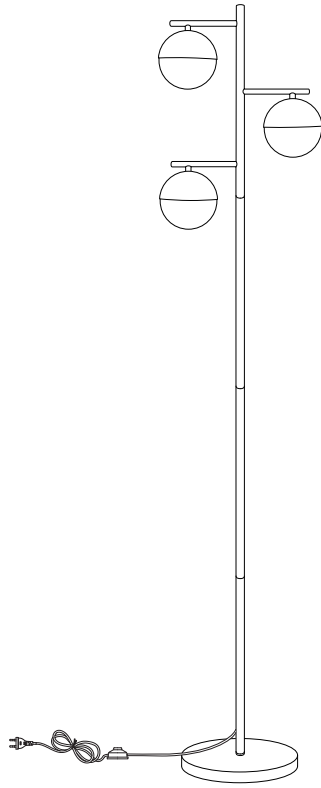
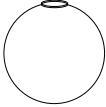
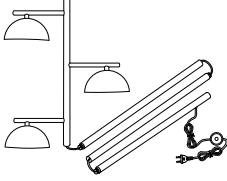

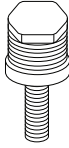
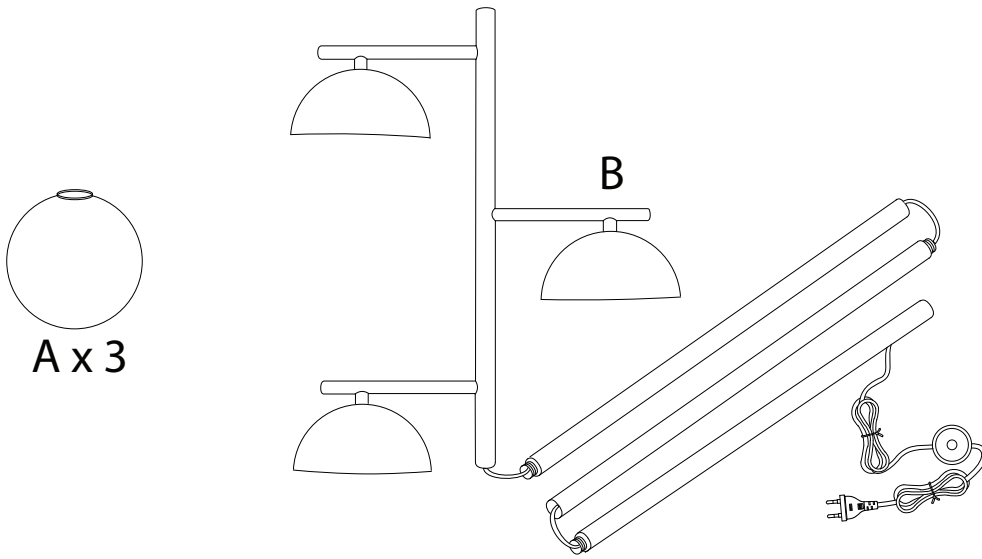


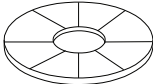
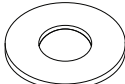
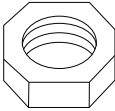
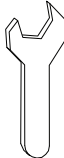
SABINE



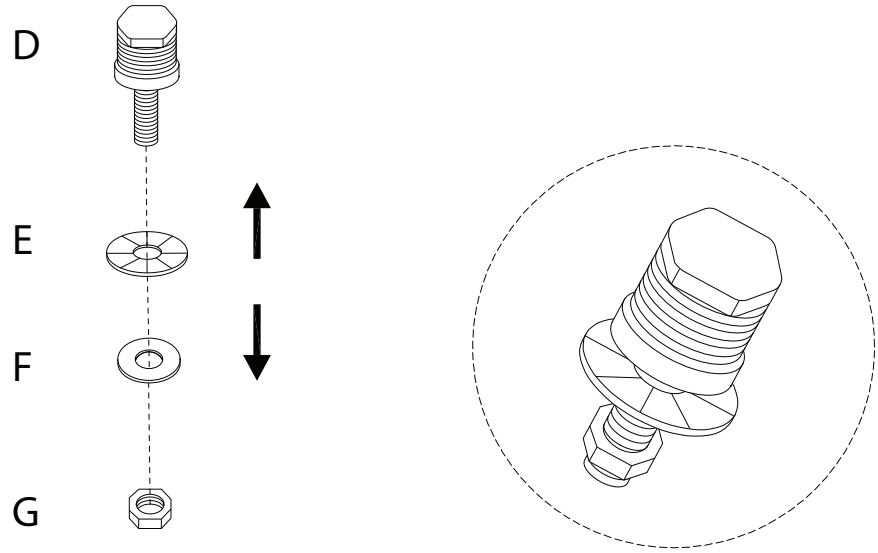


<p>A</p>  <p>x 3</p>	<p>B</p>  <p>x 1</p>	<p>C</p>  <p>x 1</p>	<p>D</p>  <p>x 1</p>
---	---	--	---



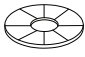





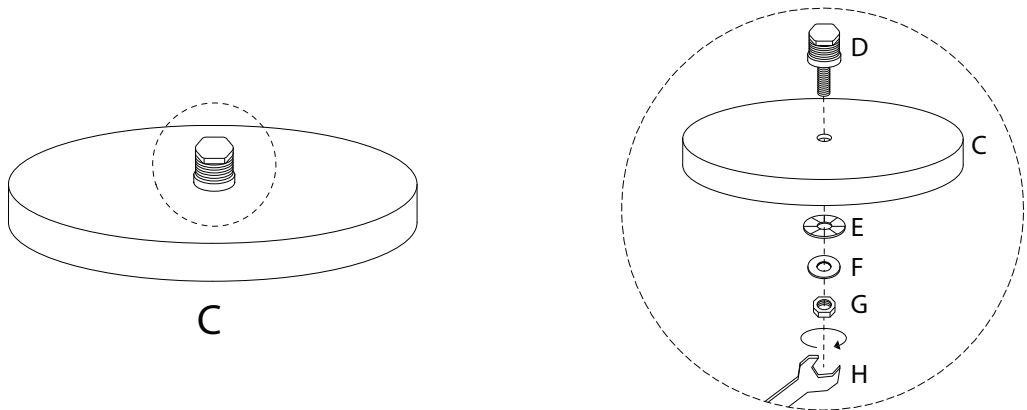
<p>E</p>  <p>x 1</p>	<p>F</p>  <p>x 1</p>	<p>G</p>  <p>x 1</p>	<p>H</p>  <p>x 1</p>
---	---	--	---

!

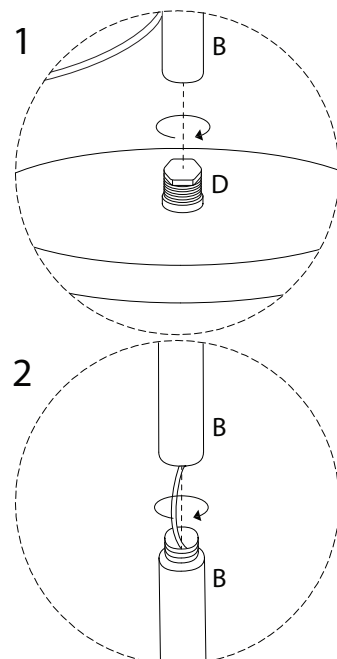
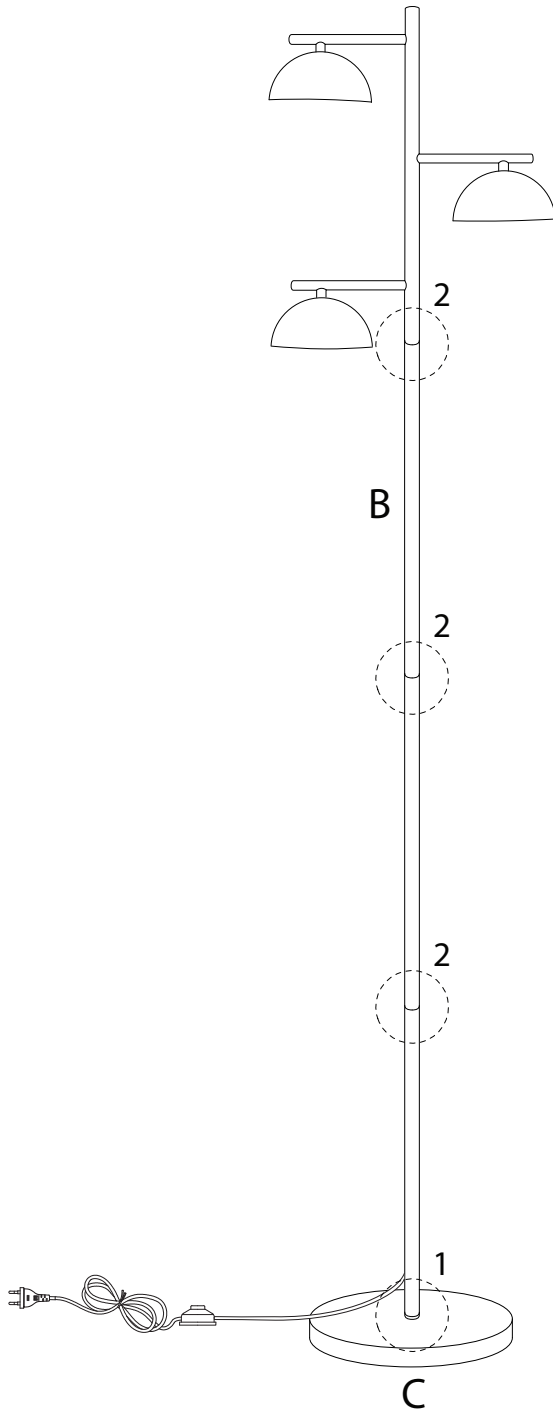
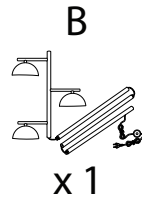


1

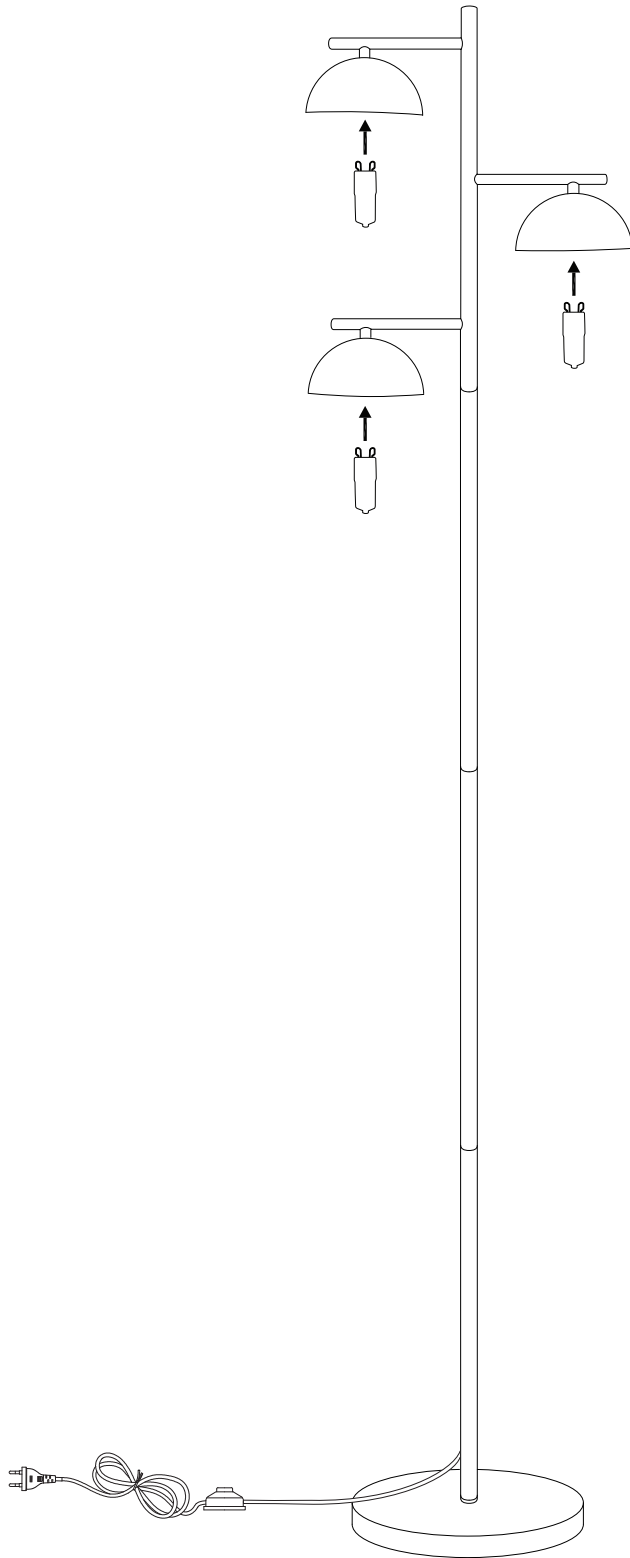
C  x 1	D  x 1	E  x 1	F  x 1	G  x 1	H  x 1
--	--	--	---	--	--



2



3



4

A



x 3

