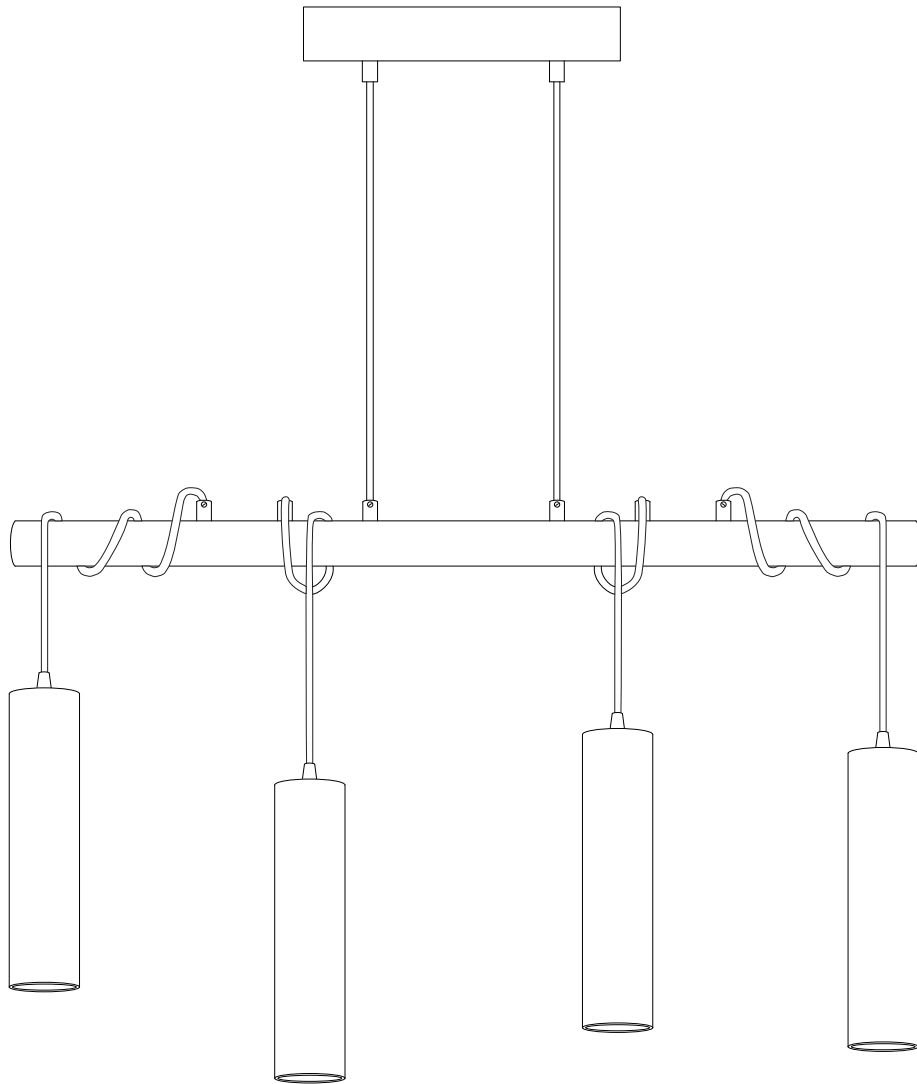
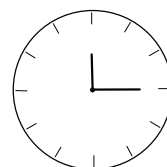
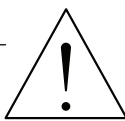
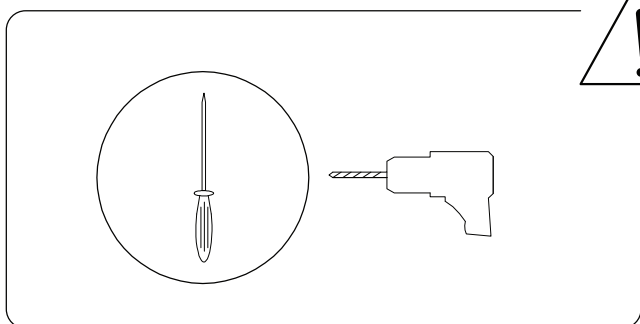
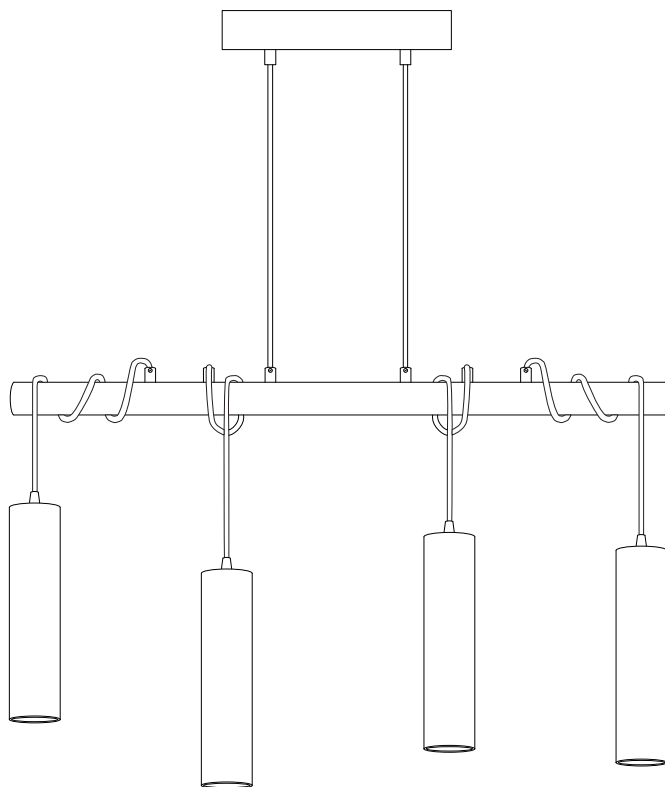
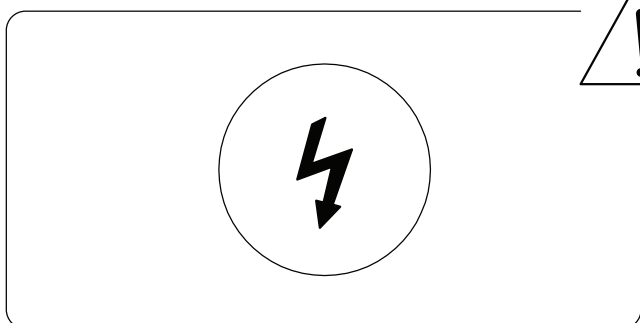


TUTAKI

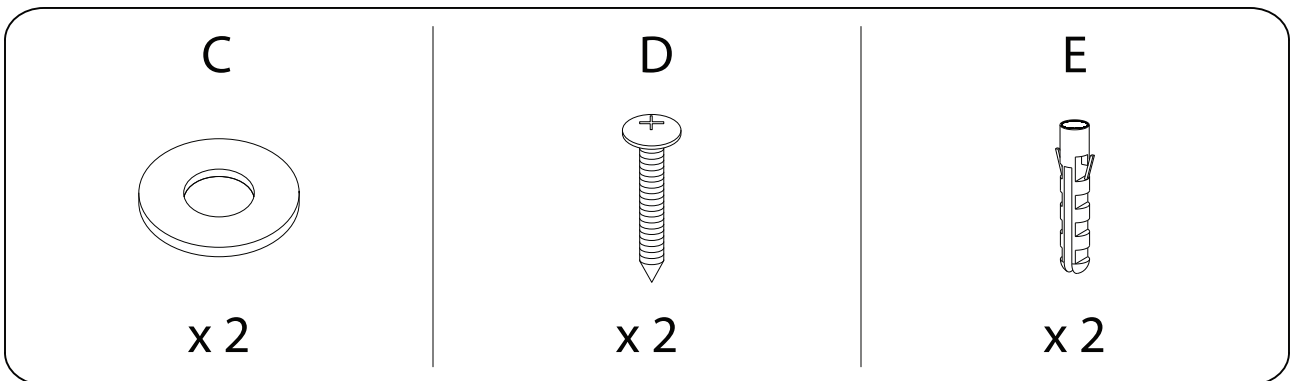
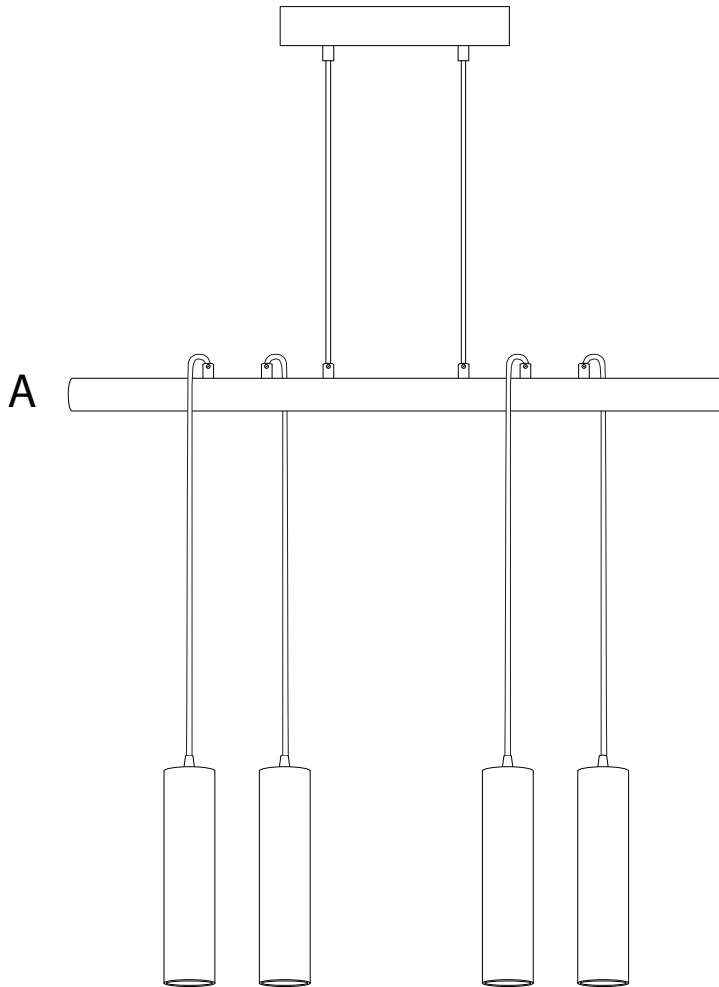
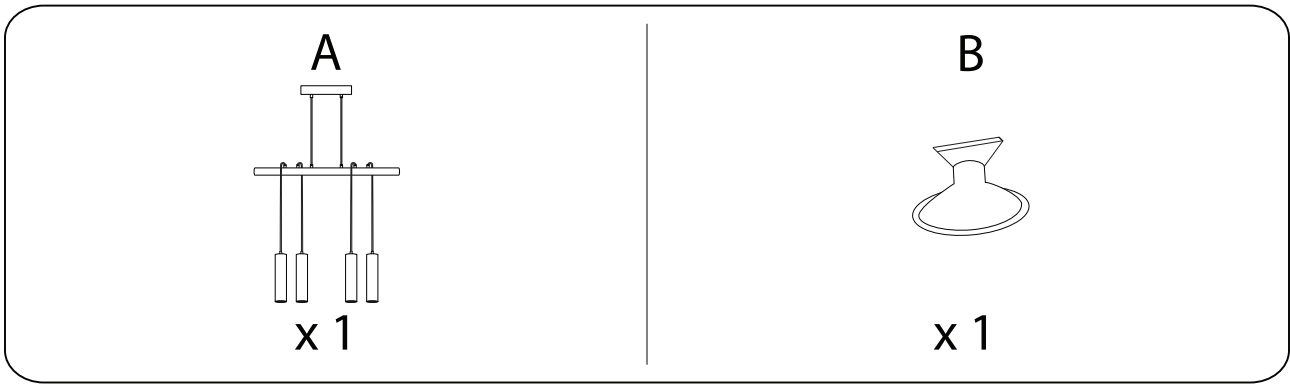




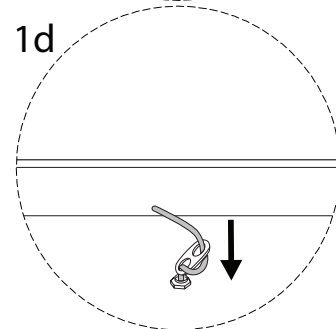
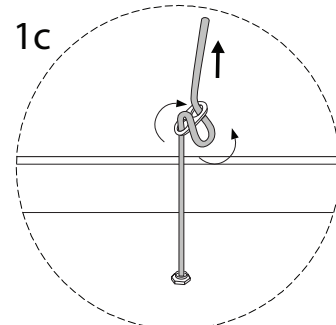
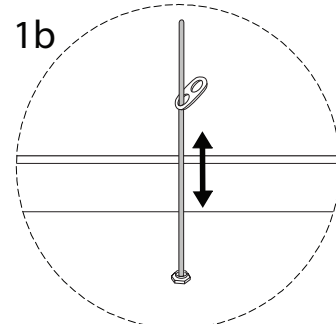
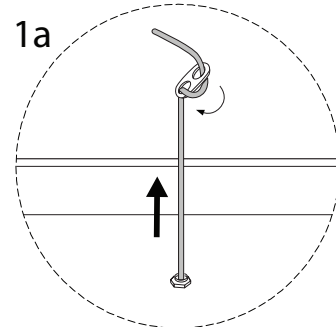
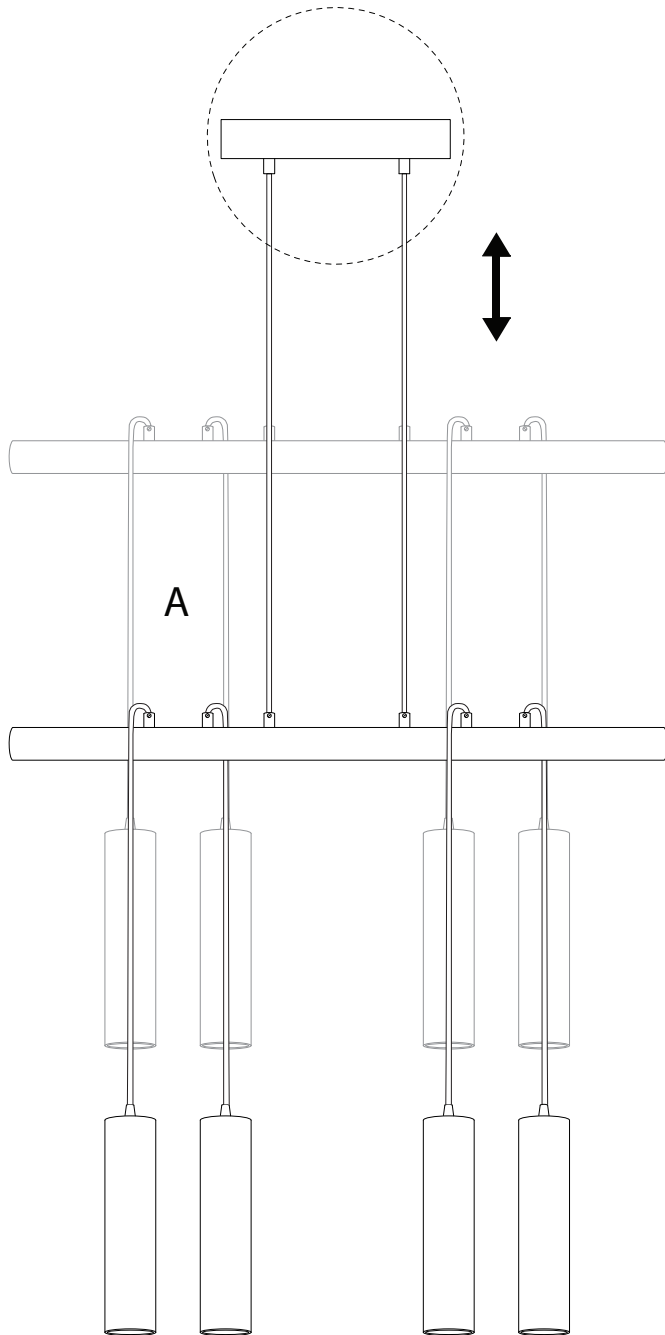
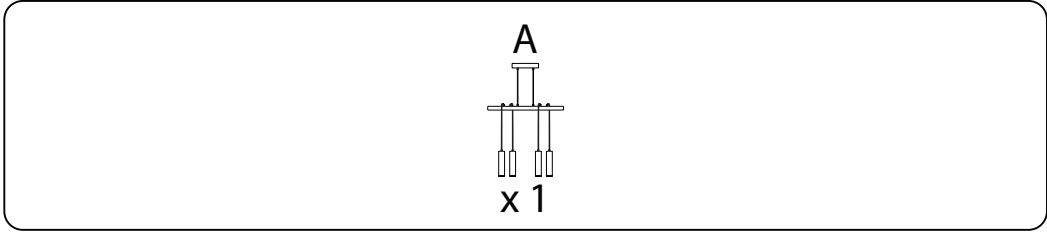
15'



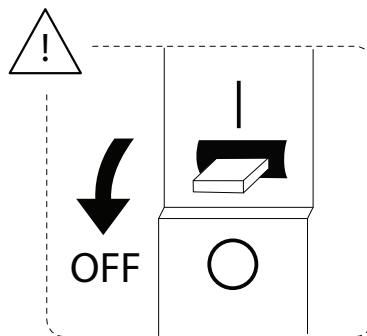
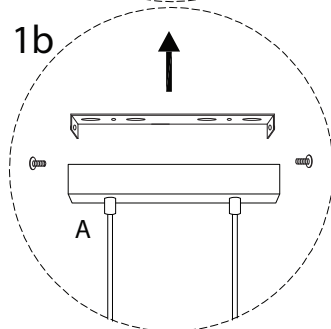
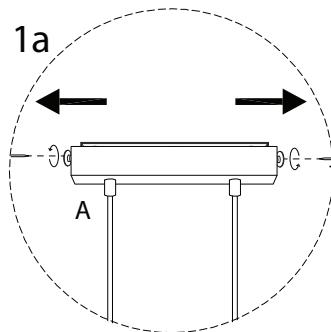
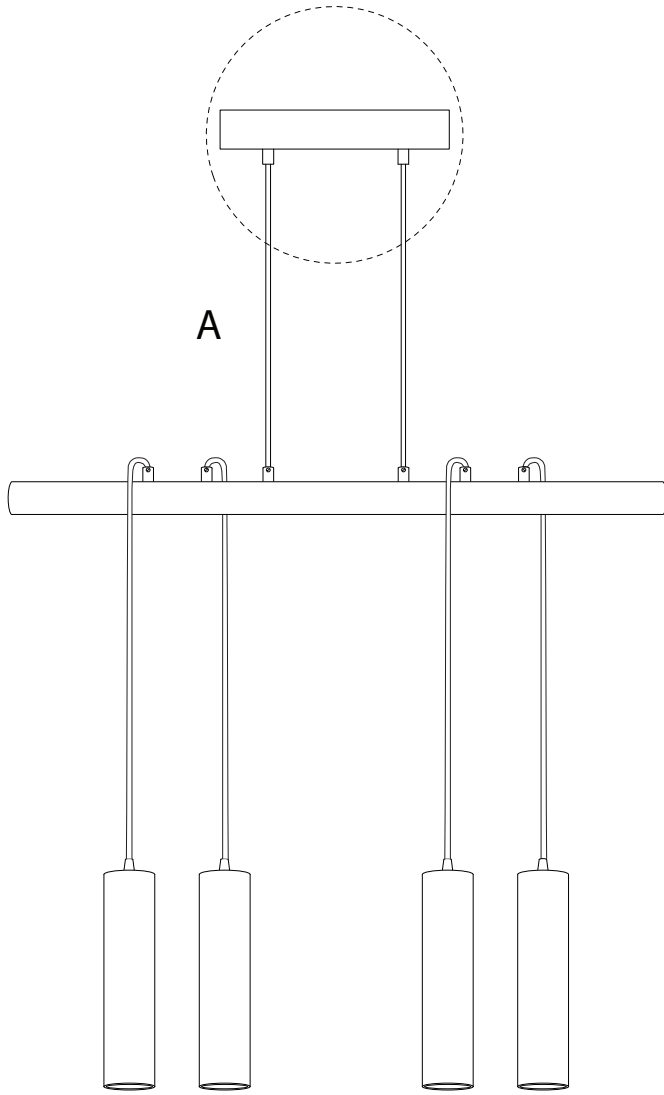
1



!



1



2

C



x2

D

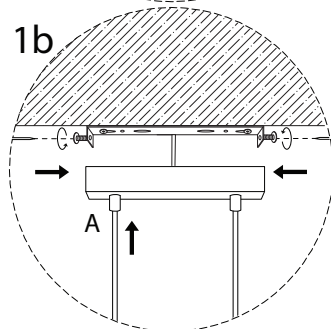
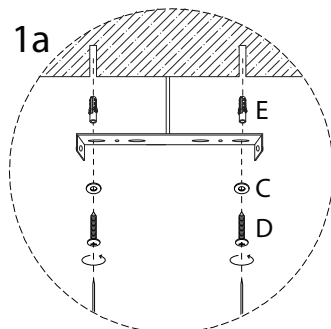
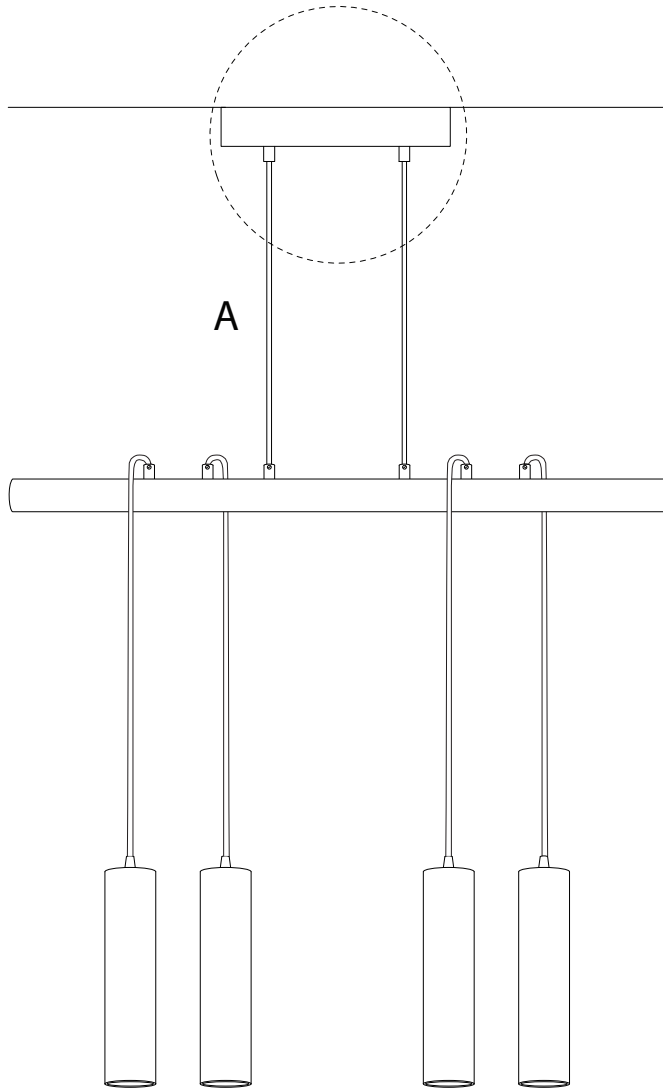


x2

E



x2

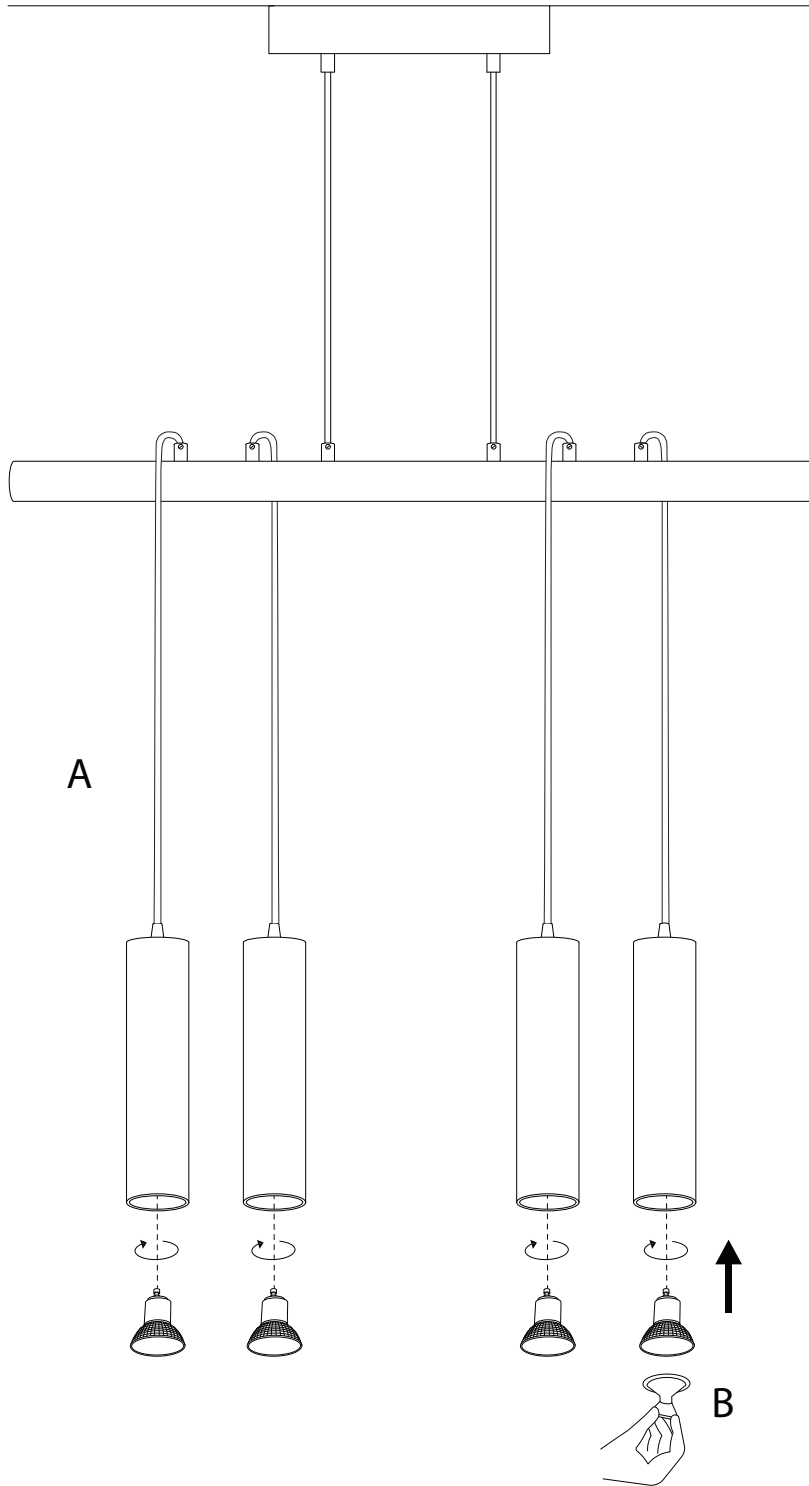


3

B



x 1



!

