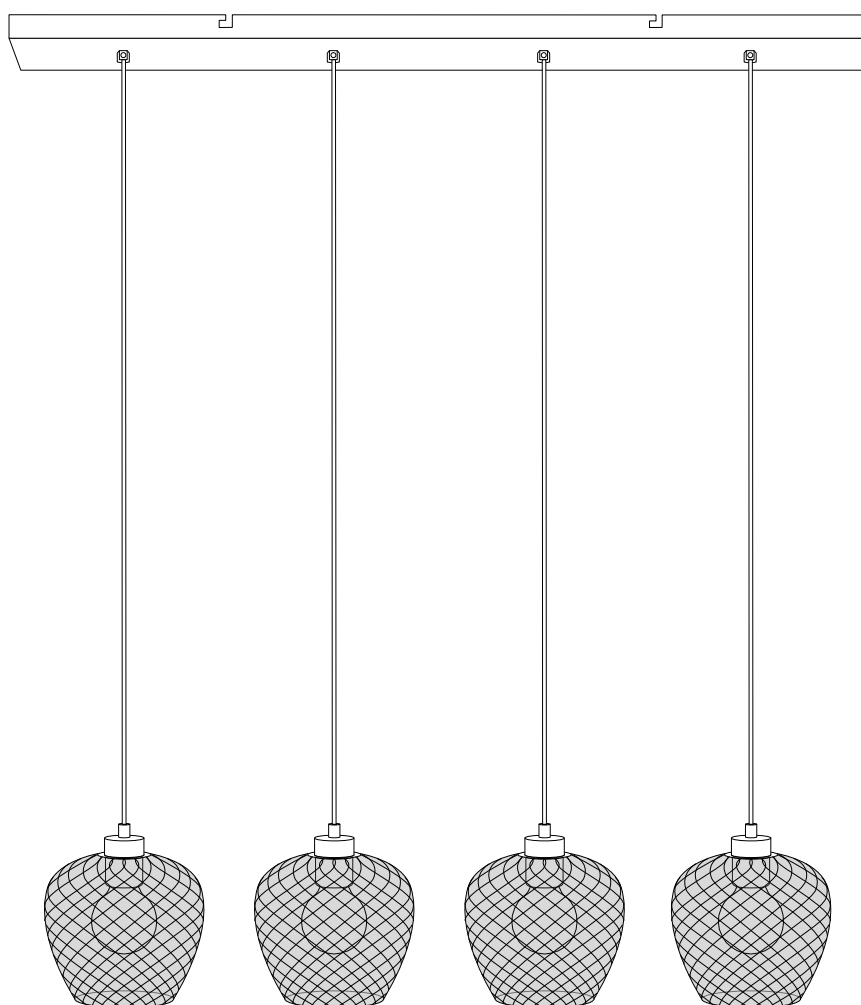
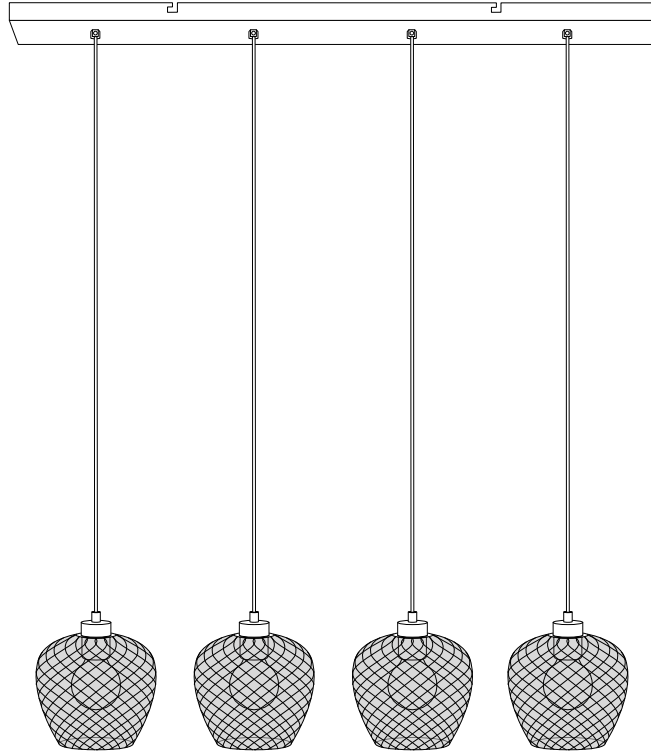
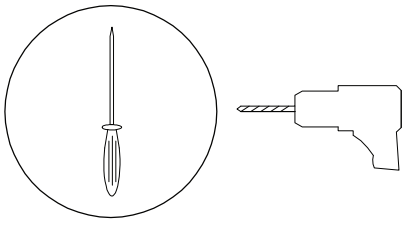

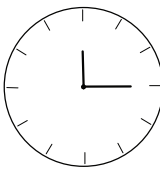
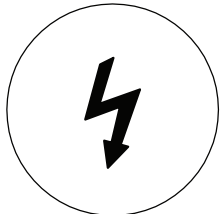




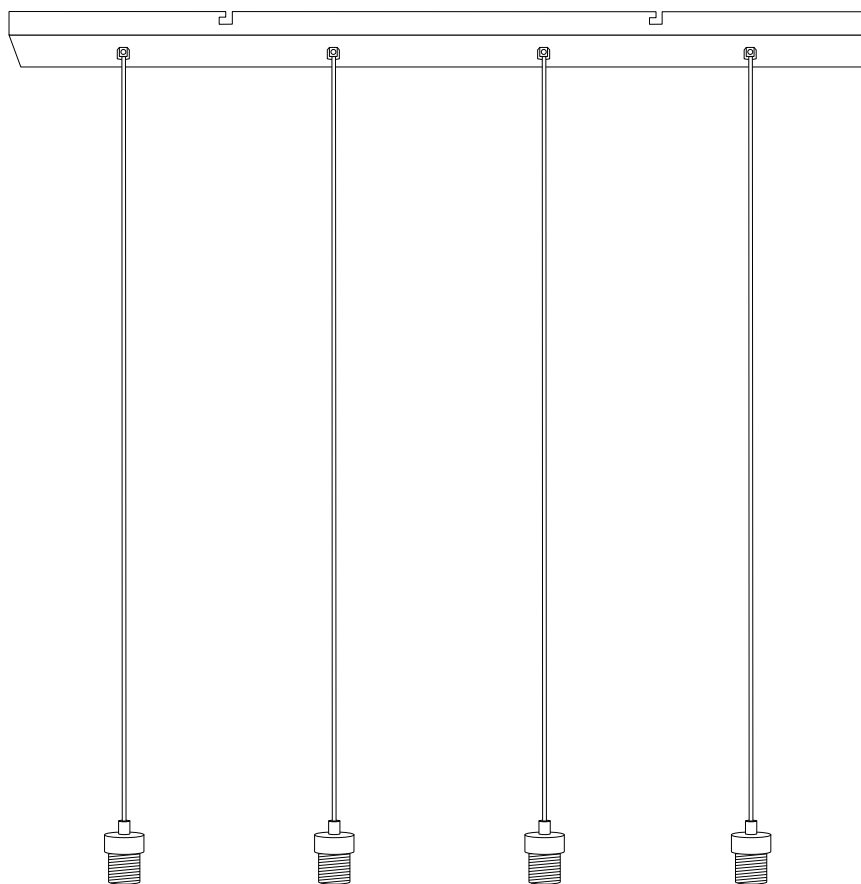
SHERRY



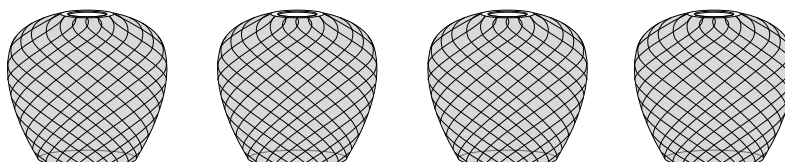


		
		15'
		
		1

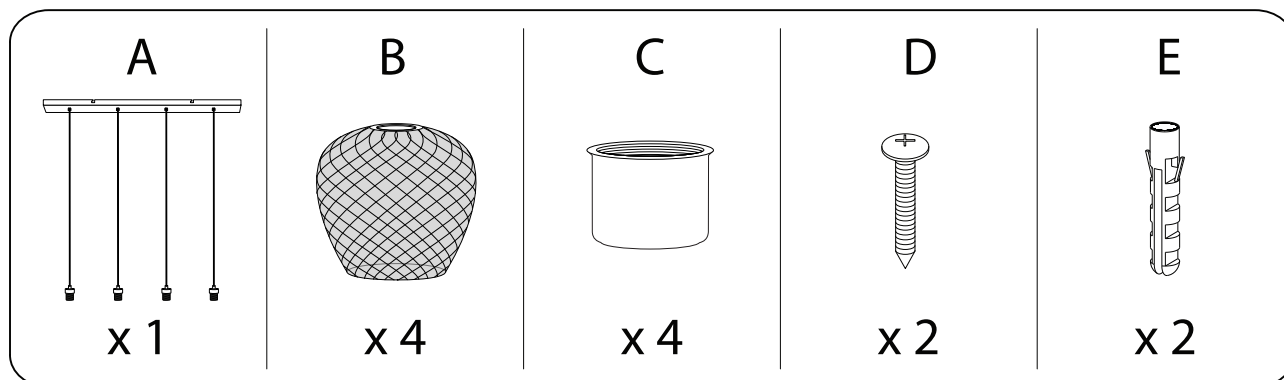
A



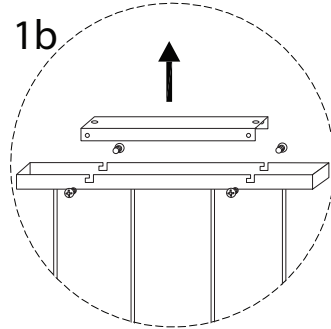
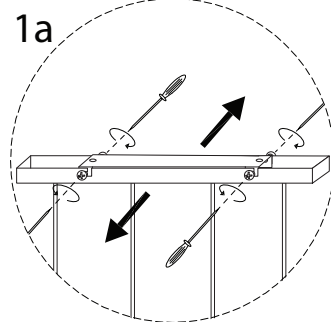
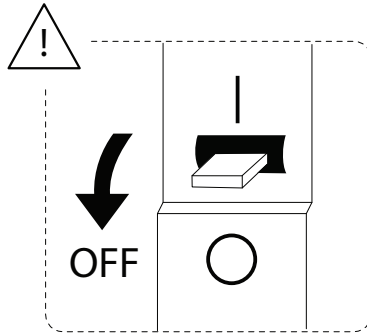
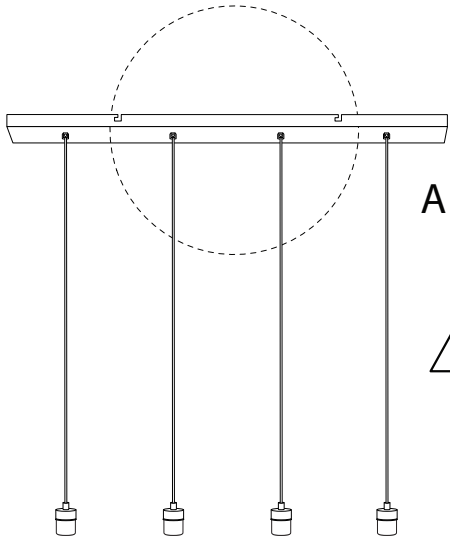
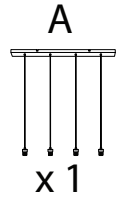
B x 4



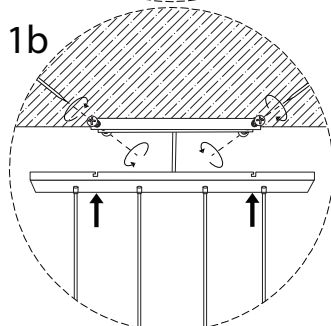
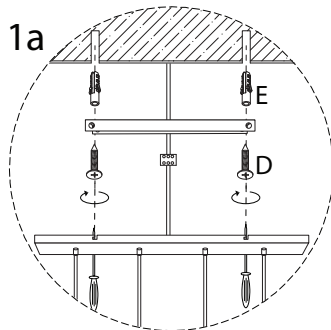
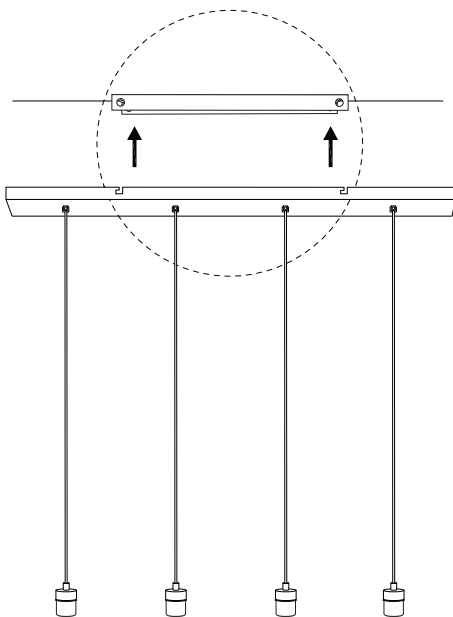
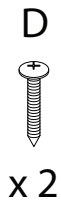
C x 4



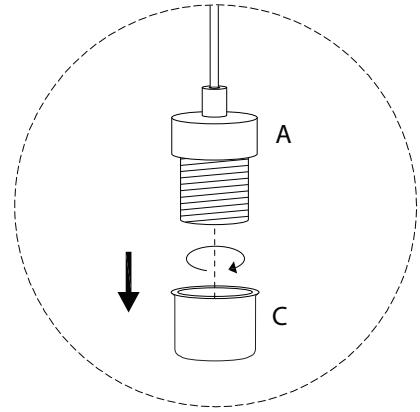
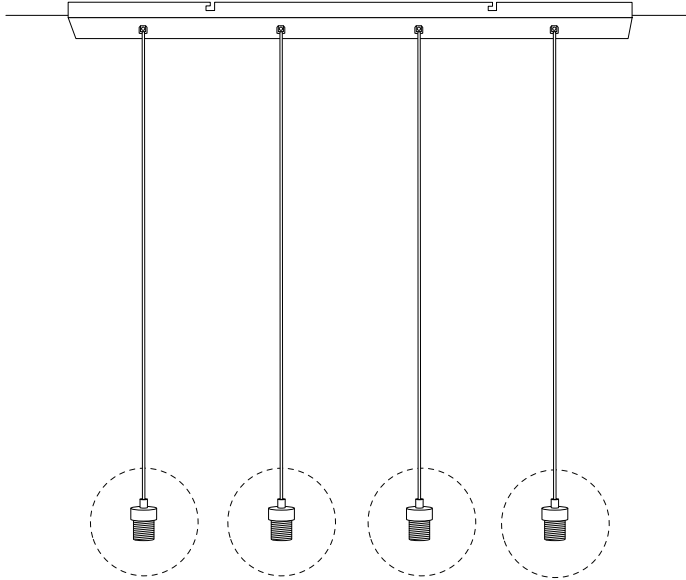
1



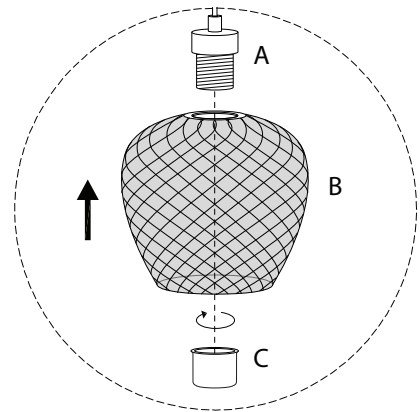
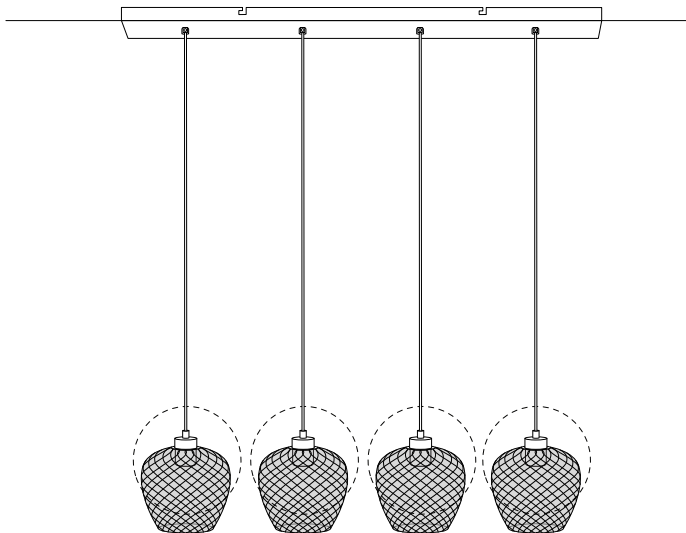
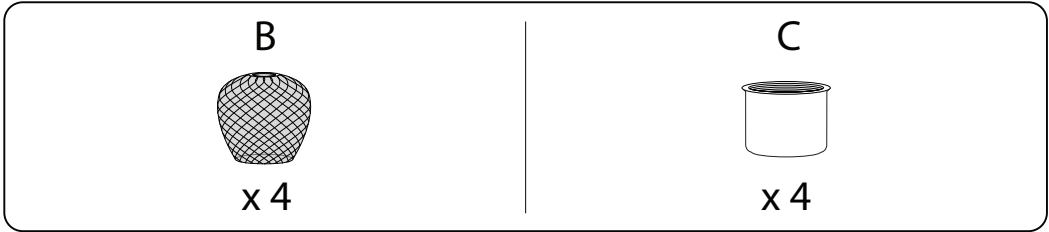
2



!



3



4

