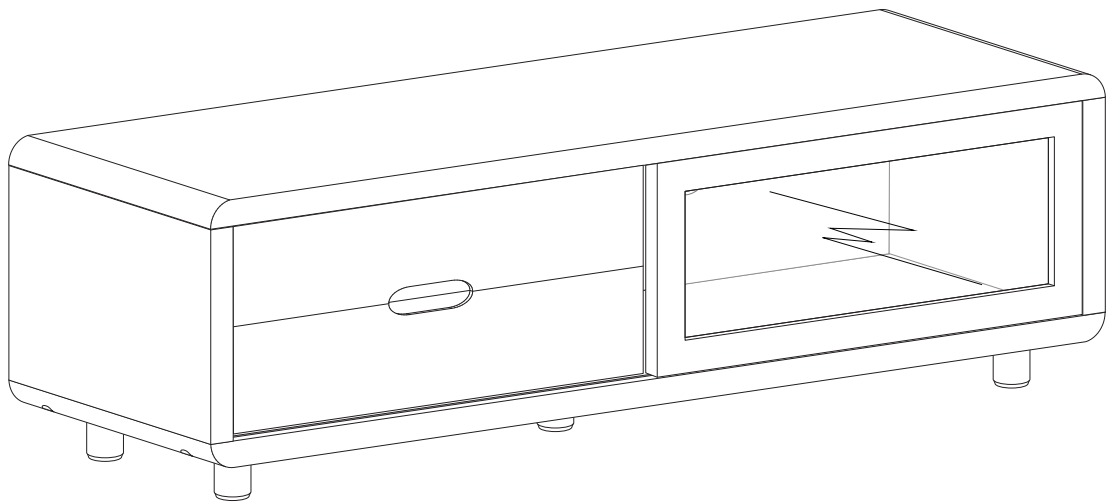
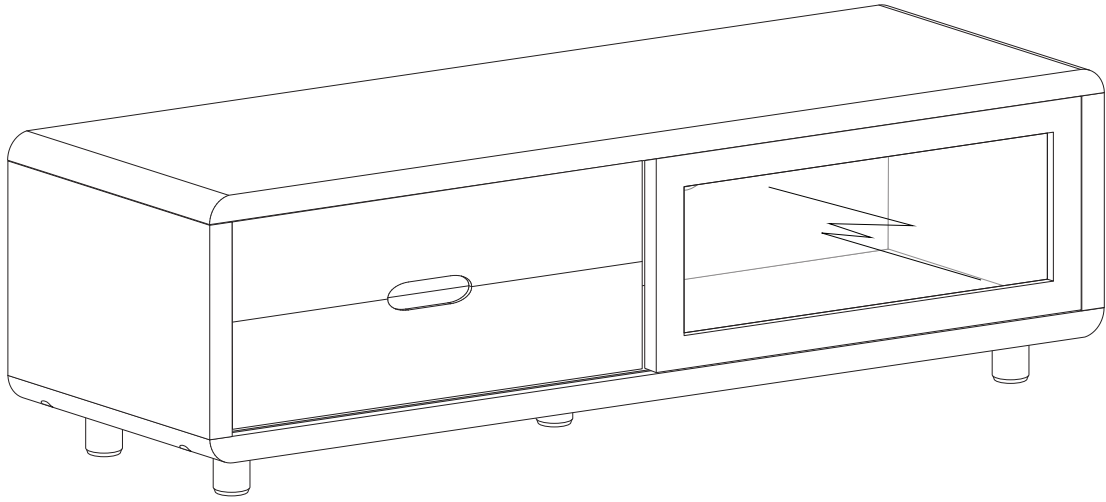


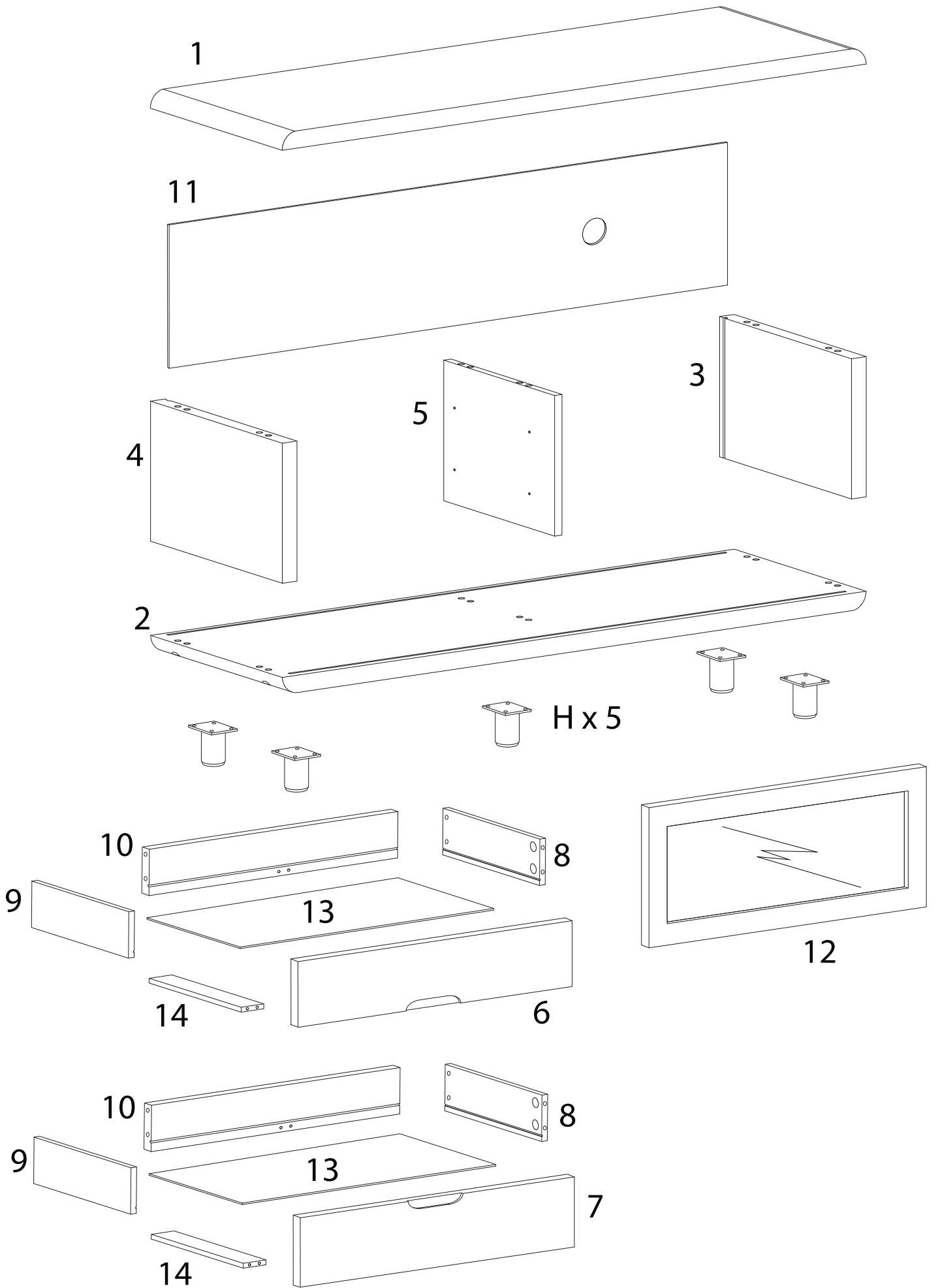
PEMBORKE



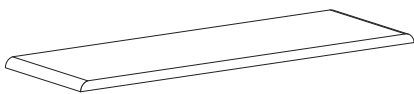


Assembly instructions for step 1/16:

- Tools:** A circle containing a screwdriver and a hex key, with a crossed-out power drill icon next to it.
- Warning:** A triangle with an exclamation mark.
- Time:** A clock icon with the text "60'" below it.
- Personnel:** A stick figure icon with the number "2" below it.
- Diagram:** A circle containing a 3D block being placed on a textured surface, with a crossed-out diagram of the block being attached to a surface below it.

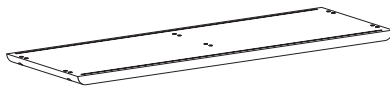


1



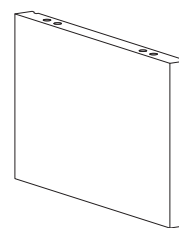
x 1

2



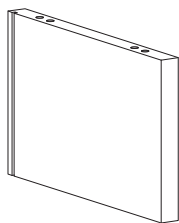
x 1

3



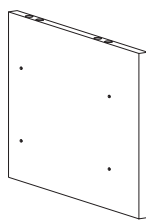
x 1

4



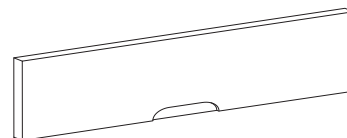
x 1

5



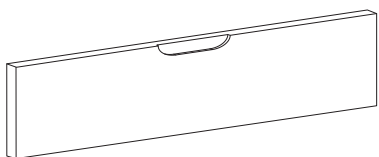
x 1

6



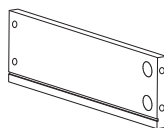
x 1

7



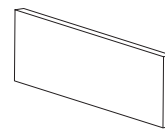
x 1

8



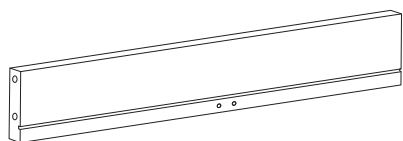
x 2

9



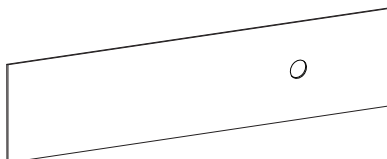
x 2

10



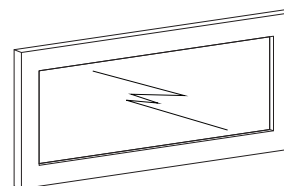
x 2

11



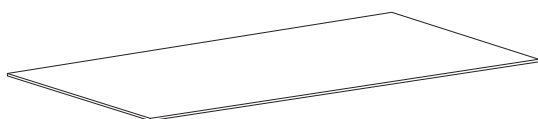
x 1

12



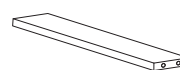
x 1

13



x 2

14



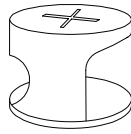
x 2

A1



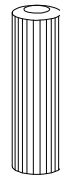
x 28

A2



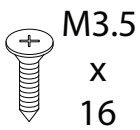
x 28

B



x 12

C



M3.5
x
16

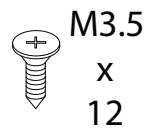
x 42

D



x 4

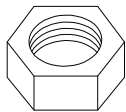
E



M3.5
x
12

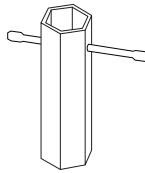
x 16

F



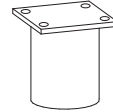
x 4

G



x 1

H



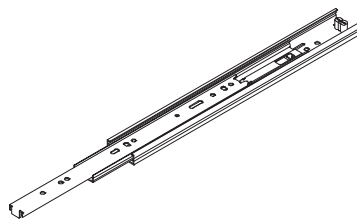
x 5

I



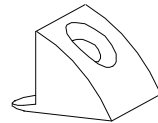
x 1

J



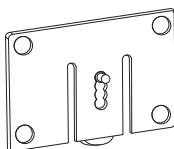
x 4

K



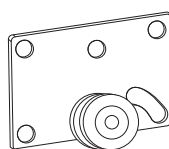
x 6

L1



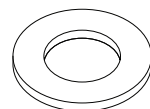
x 2

L2



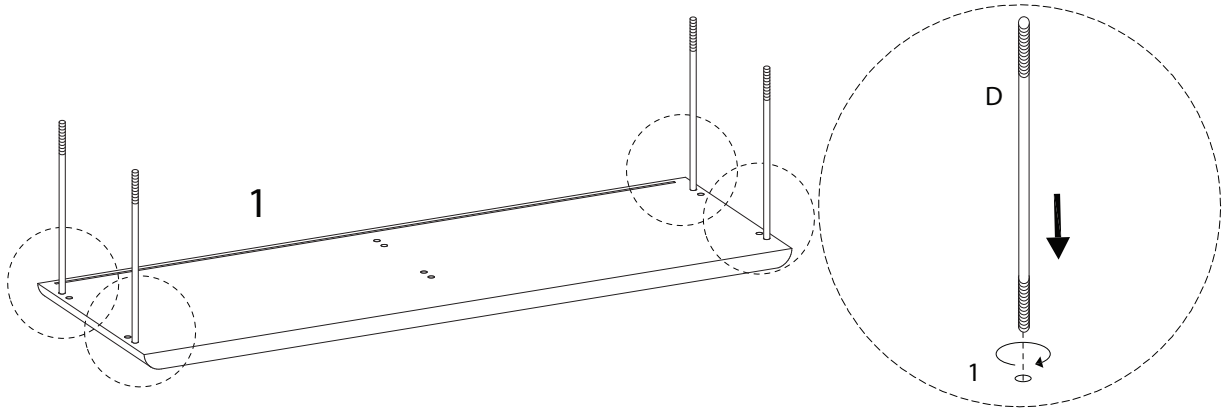
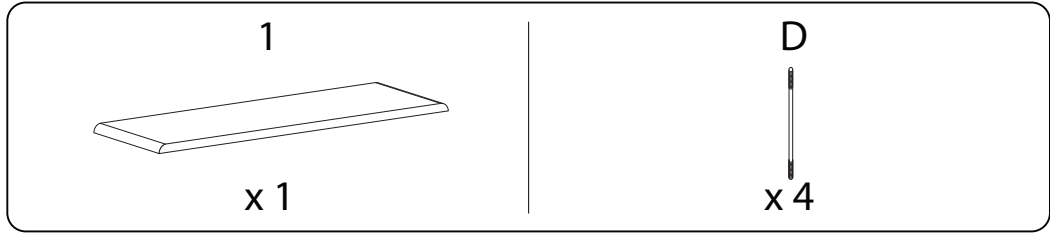
x 2

M

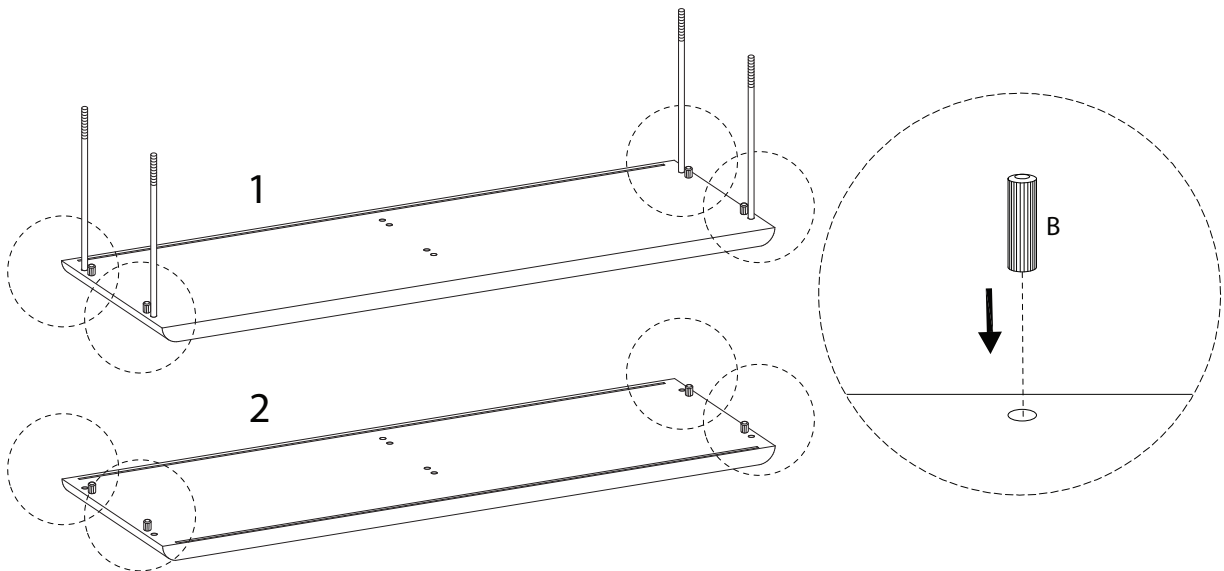
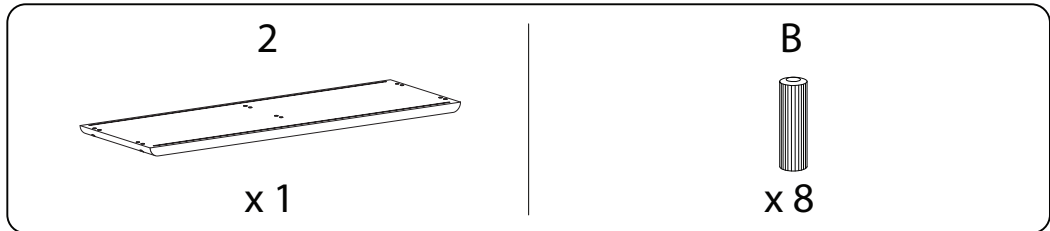


x 4

1

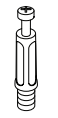


2



3

A1

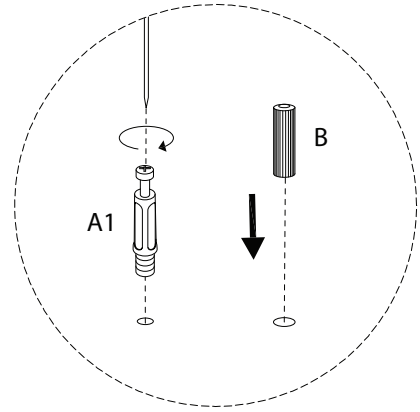
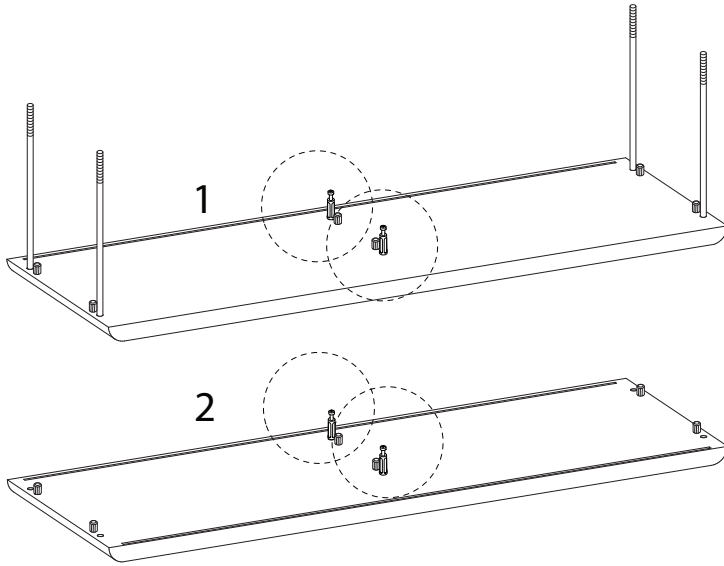


x 4

B

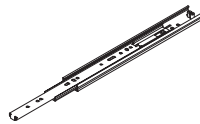


x 4

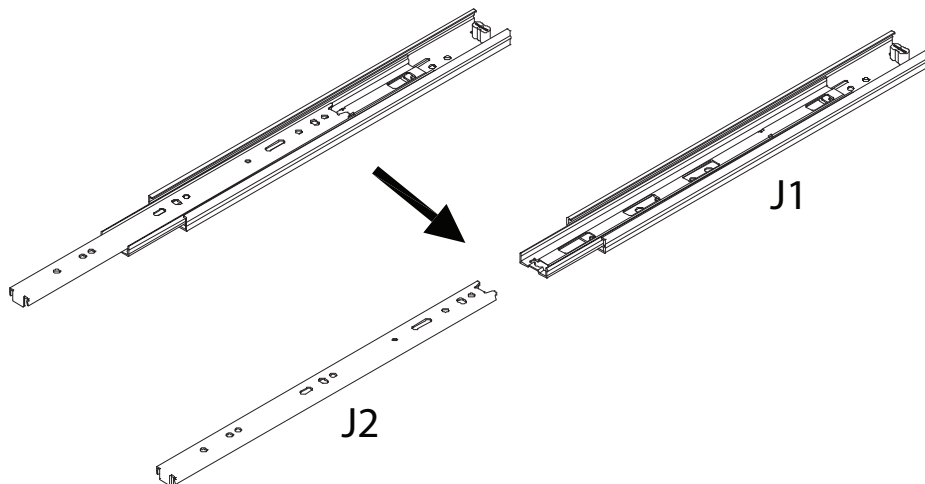


4

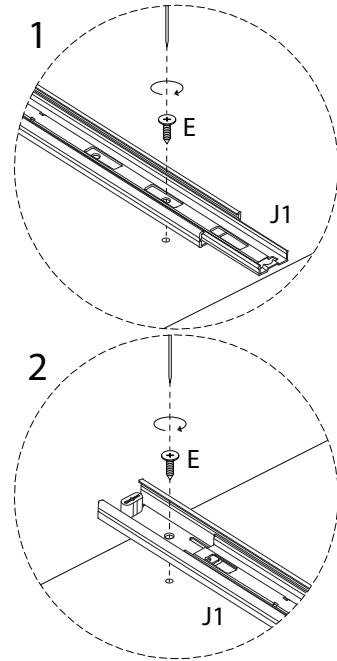
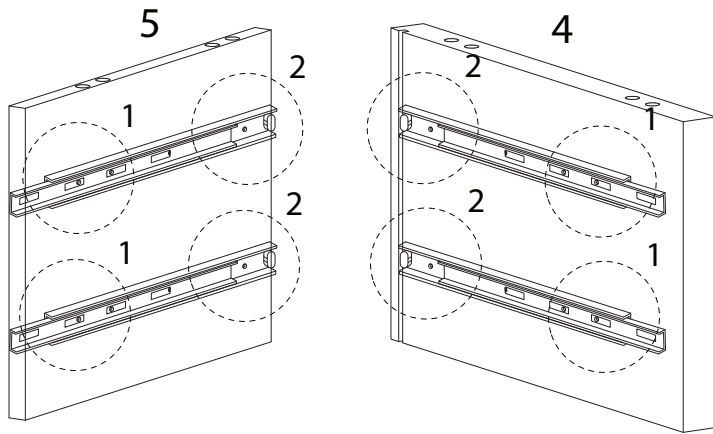
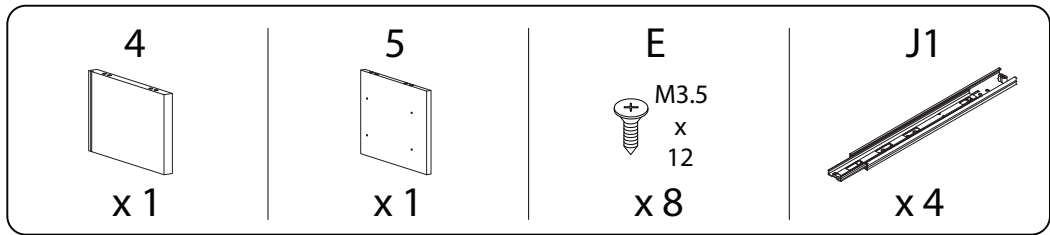
J



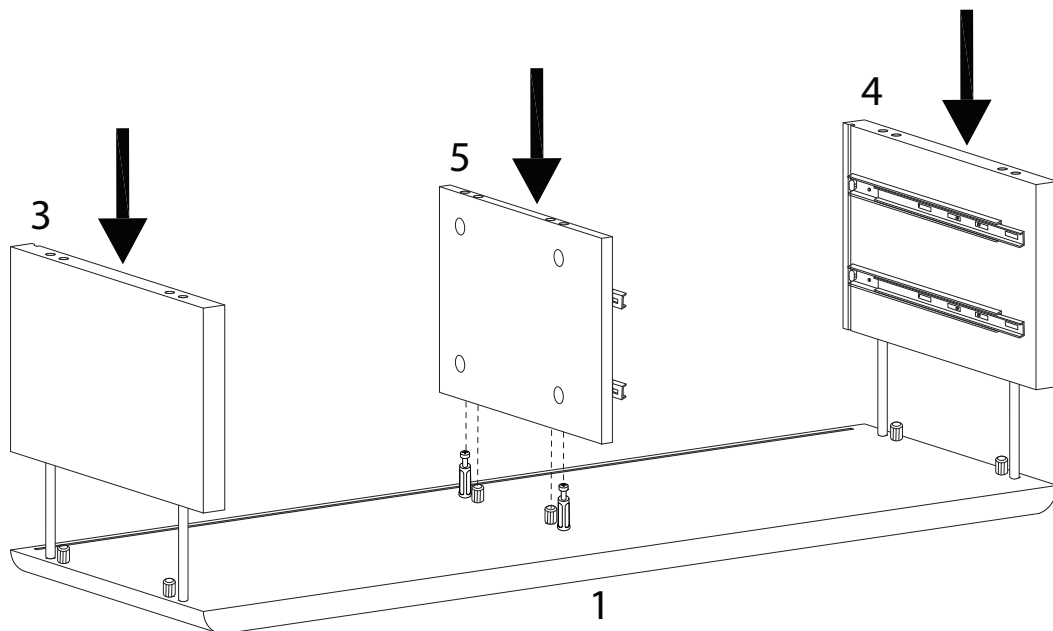
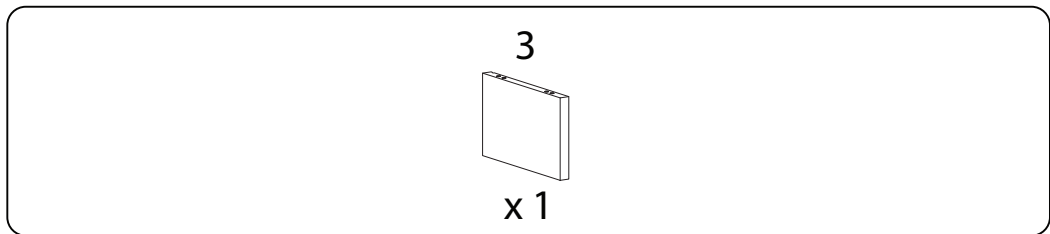
x 4



5



6

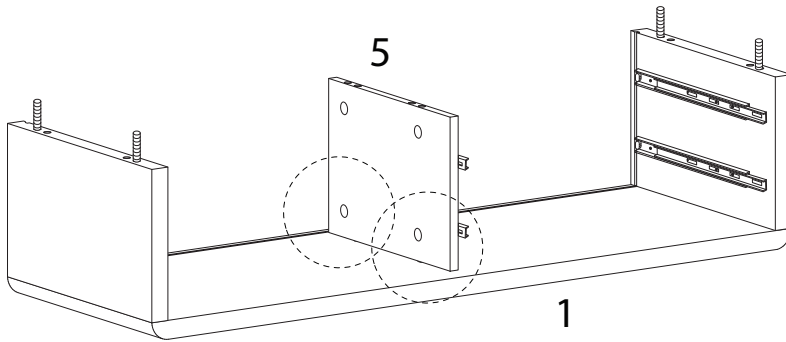


7

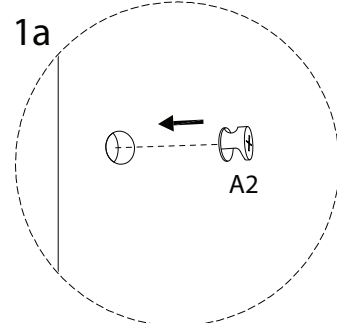
A2



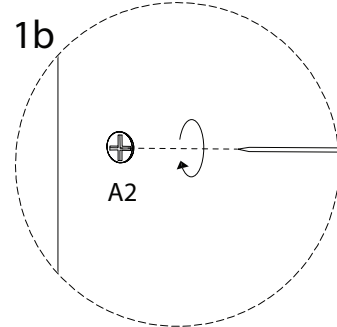
x 2



1a

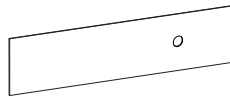


1b



8

11

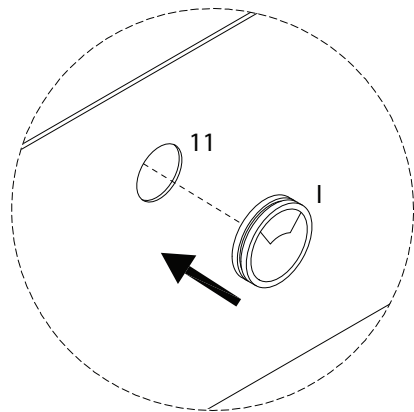
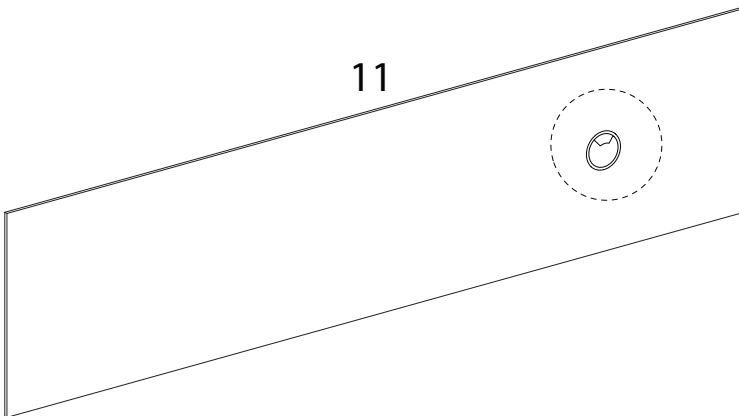


x 1

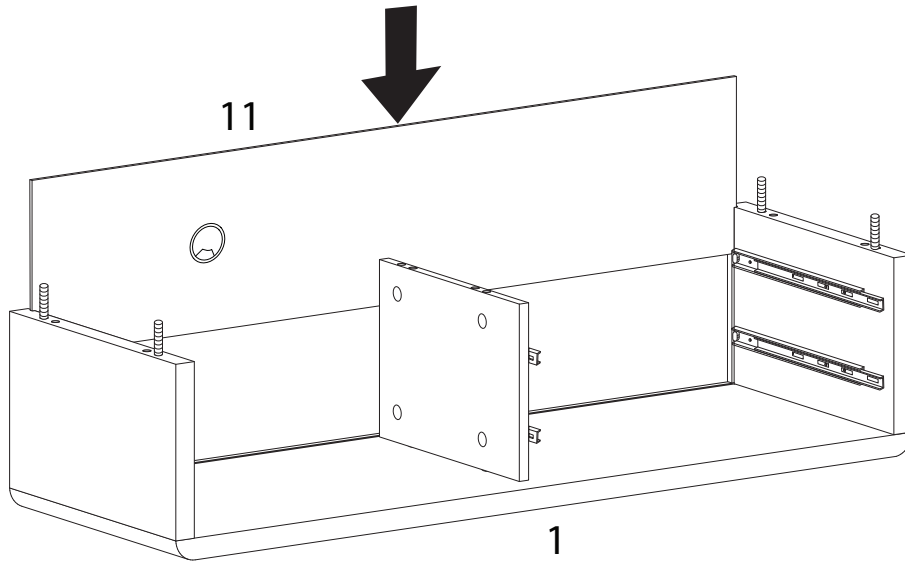
1



x 1



9



10

F



x 4

G

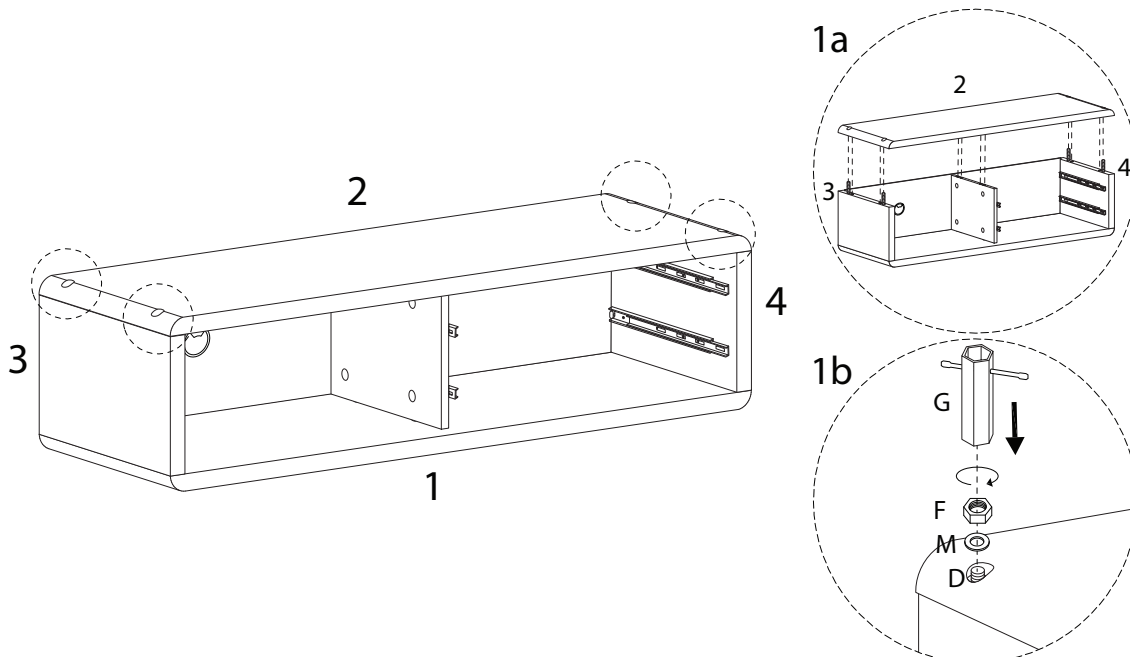


x 1

M



x 4

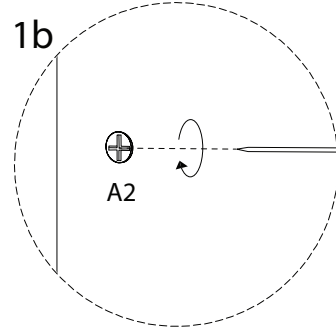
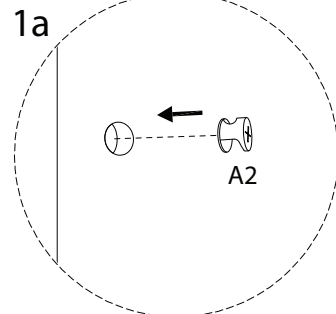
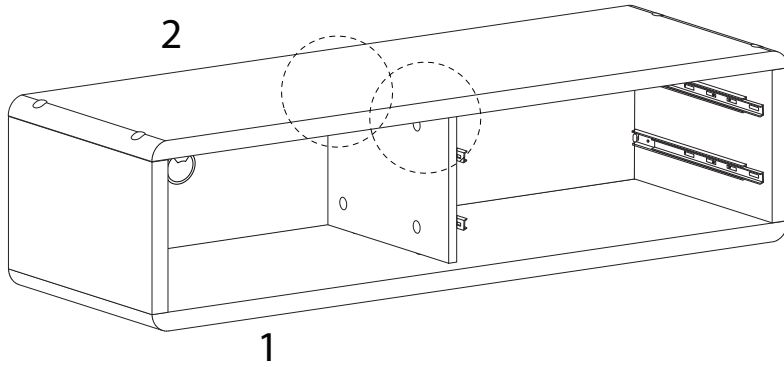


11

A2



x 2



12

C

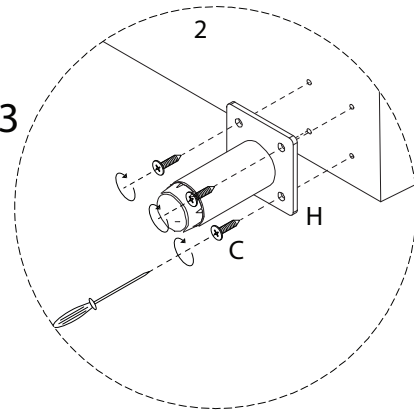
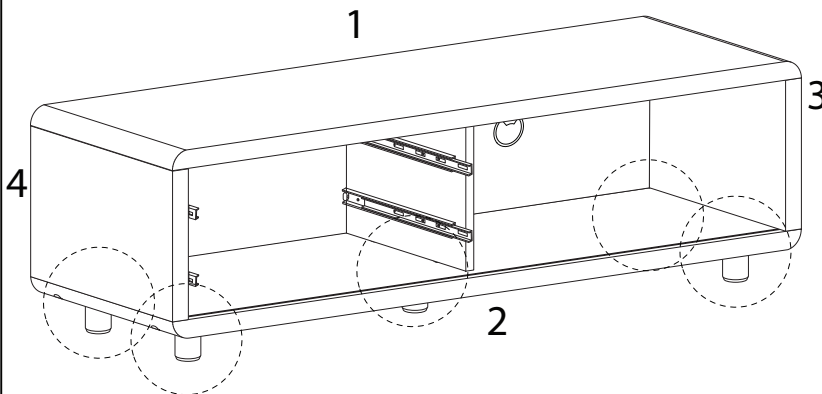


M3.5
x 16
x 20


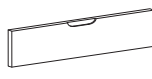
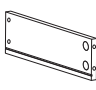
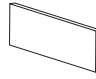


H

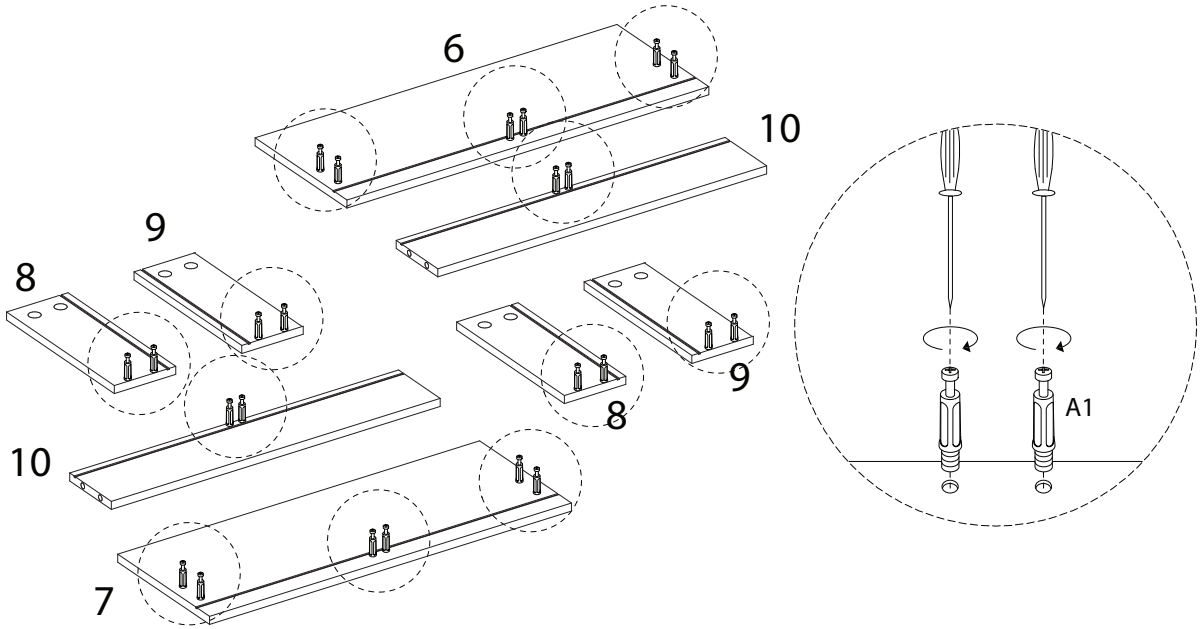


x 5





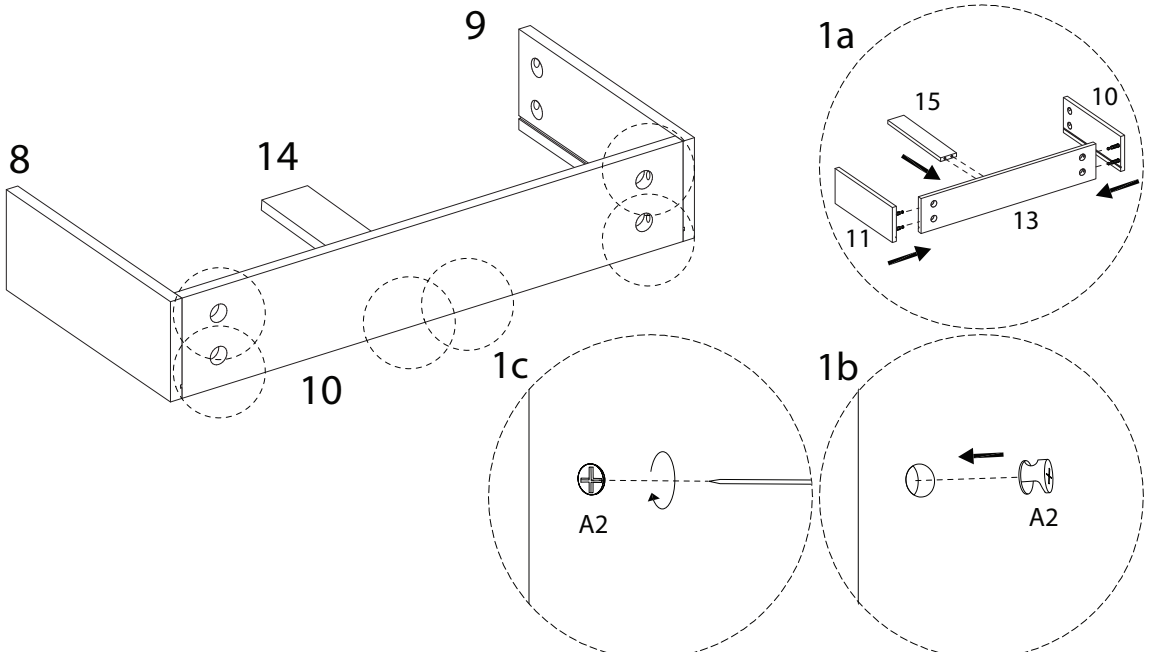
13

6  x 1	7  x 1	8  x 2	9  x 2	10  x 2	A1  x 24
---	---	---	--	--	---



14 x 2

14  x 1	A2  x 6
--	--

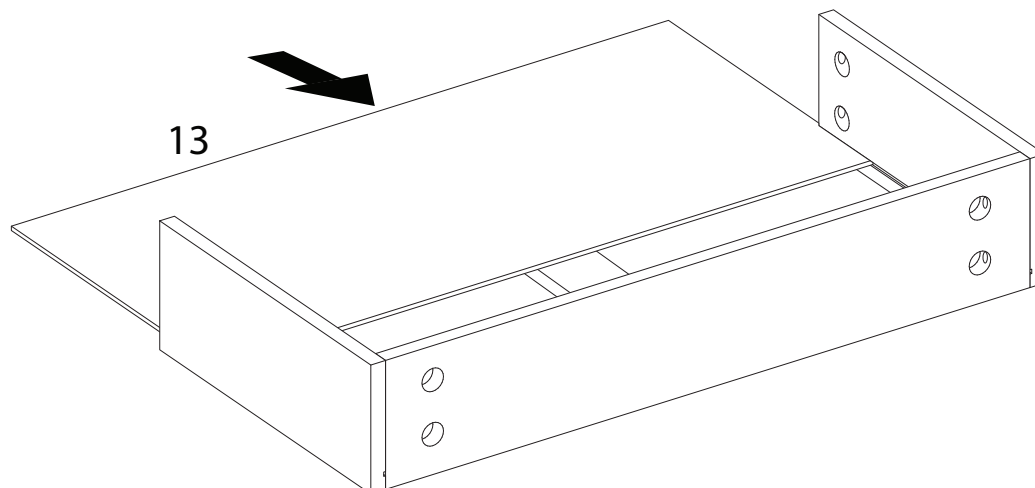


15 x 2

13



x 1

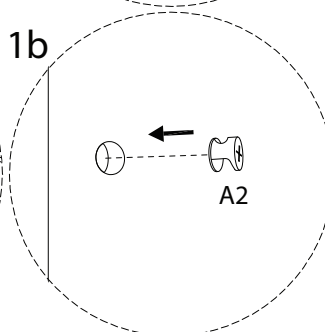
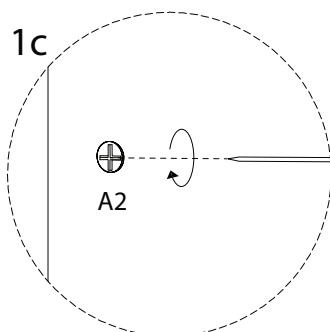
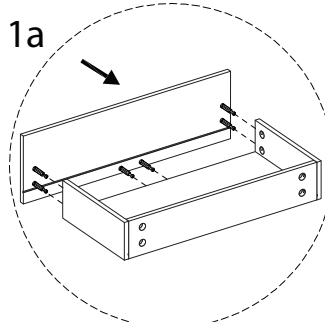
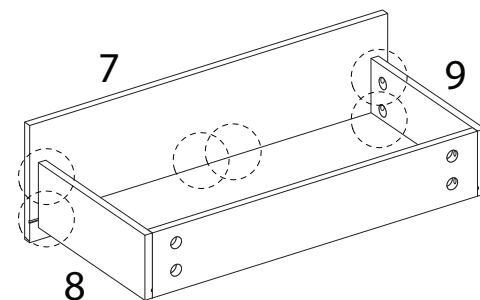
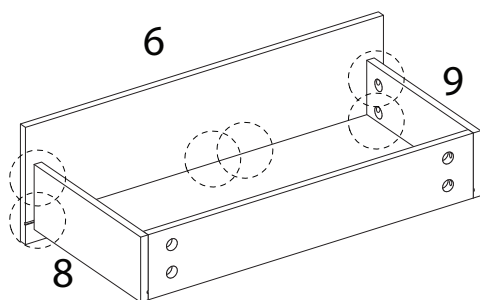


16

A2

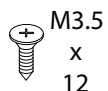


x 12



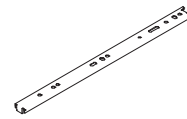
17 x 2

E

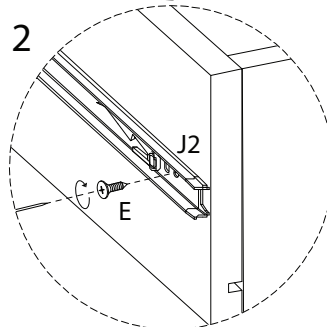
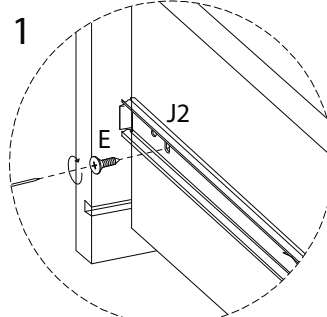
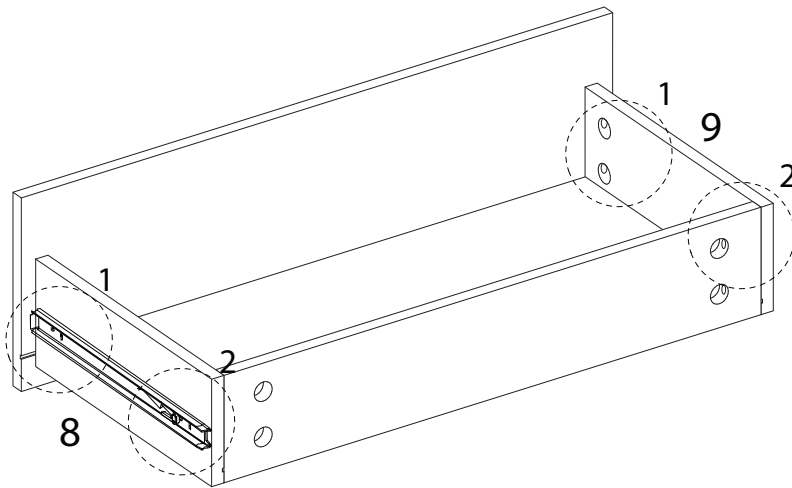


x 4

J2

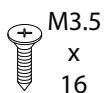


x 2



18

C

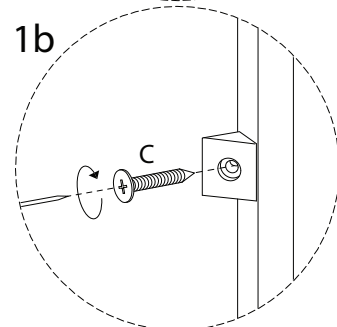
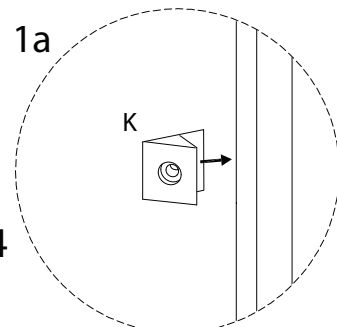
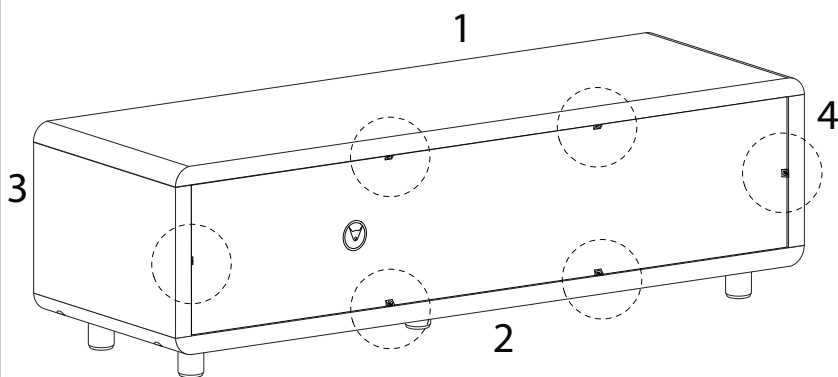


x 6

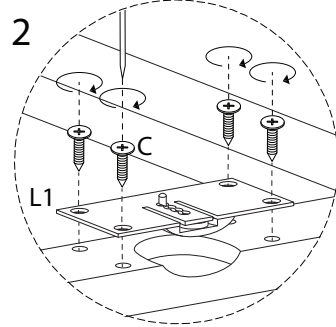
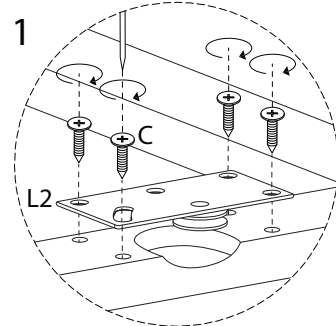
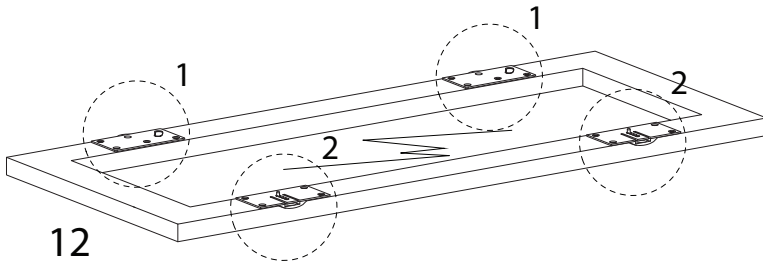
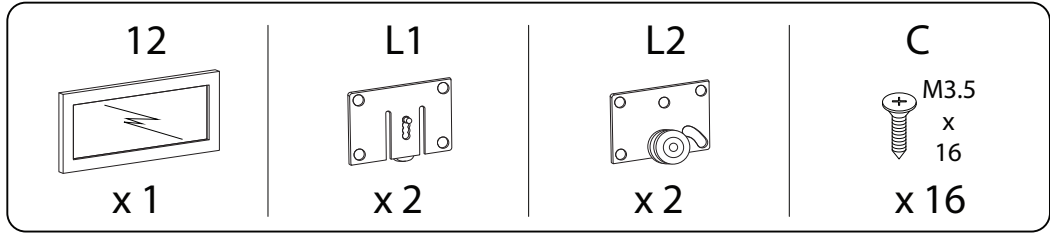
K



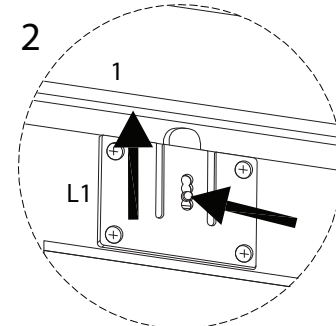
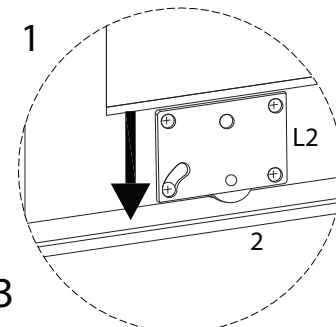
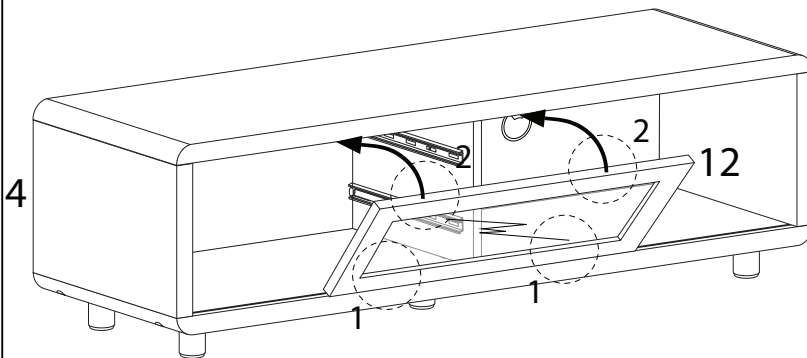
x 6



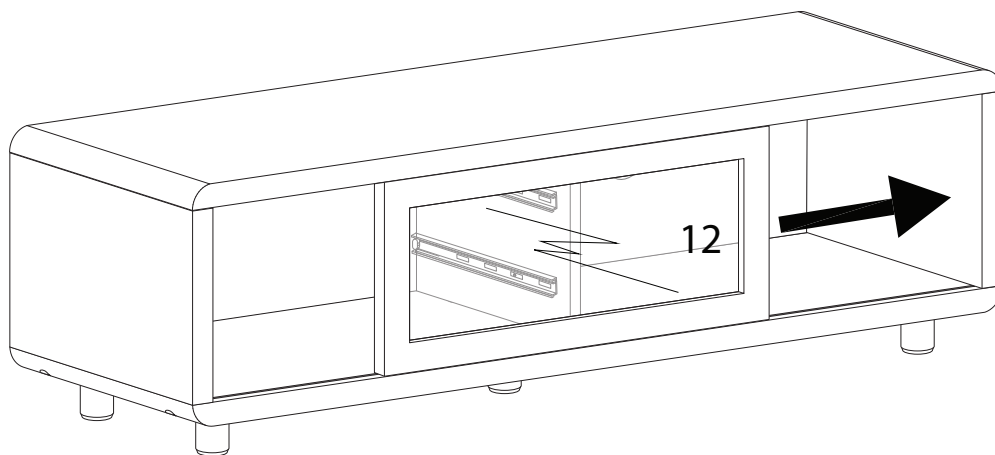
19



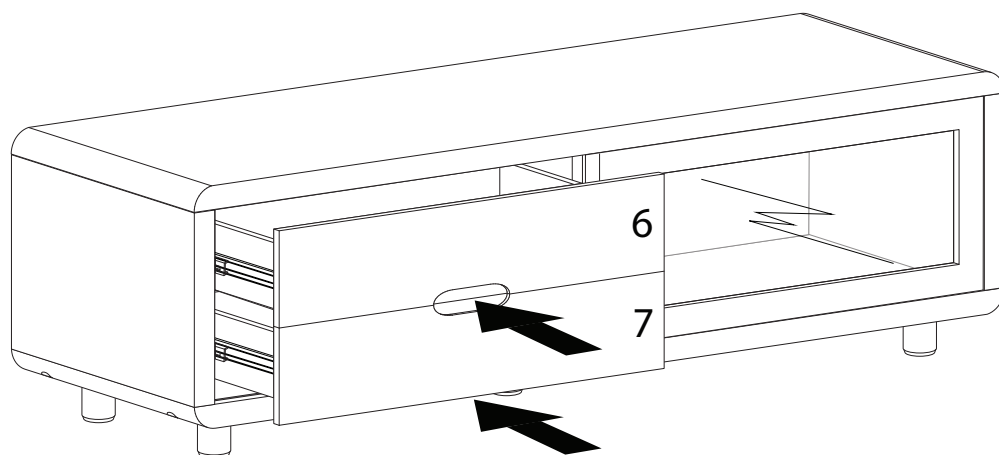
20



21



22



23

