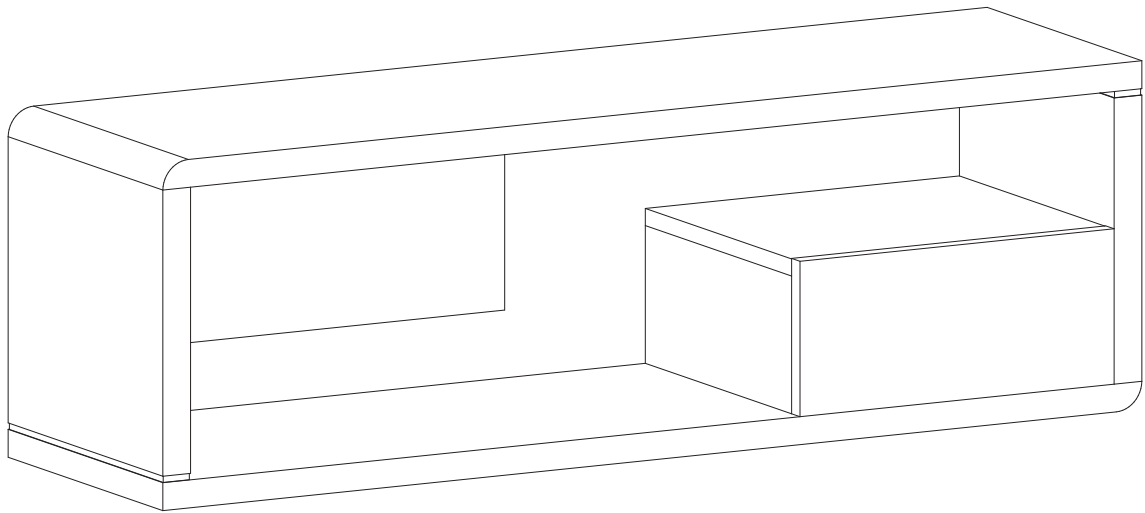
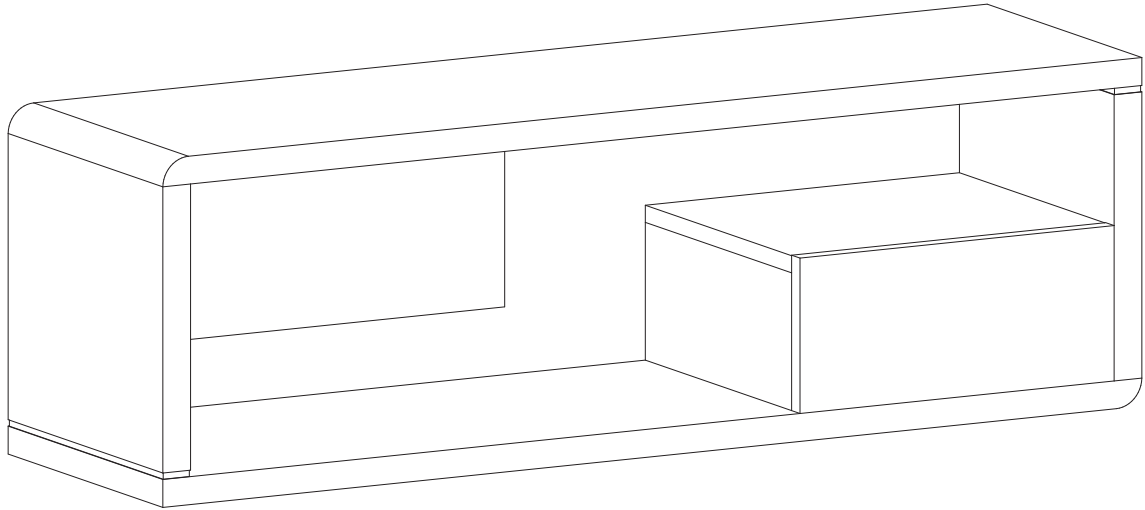


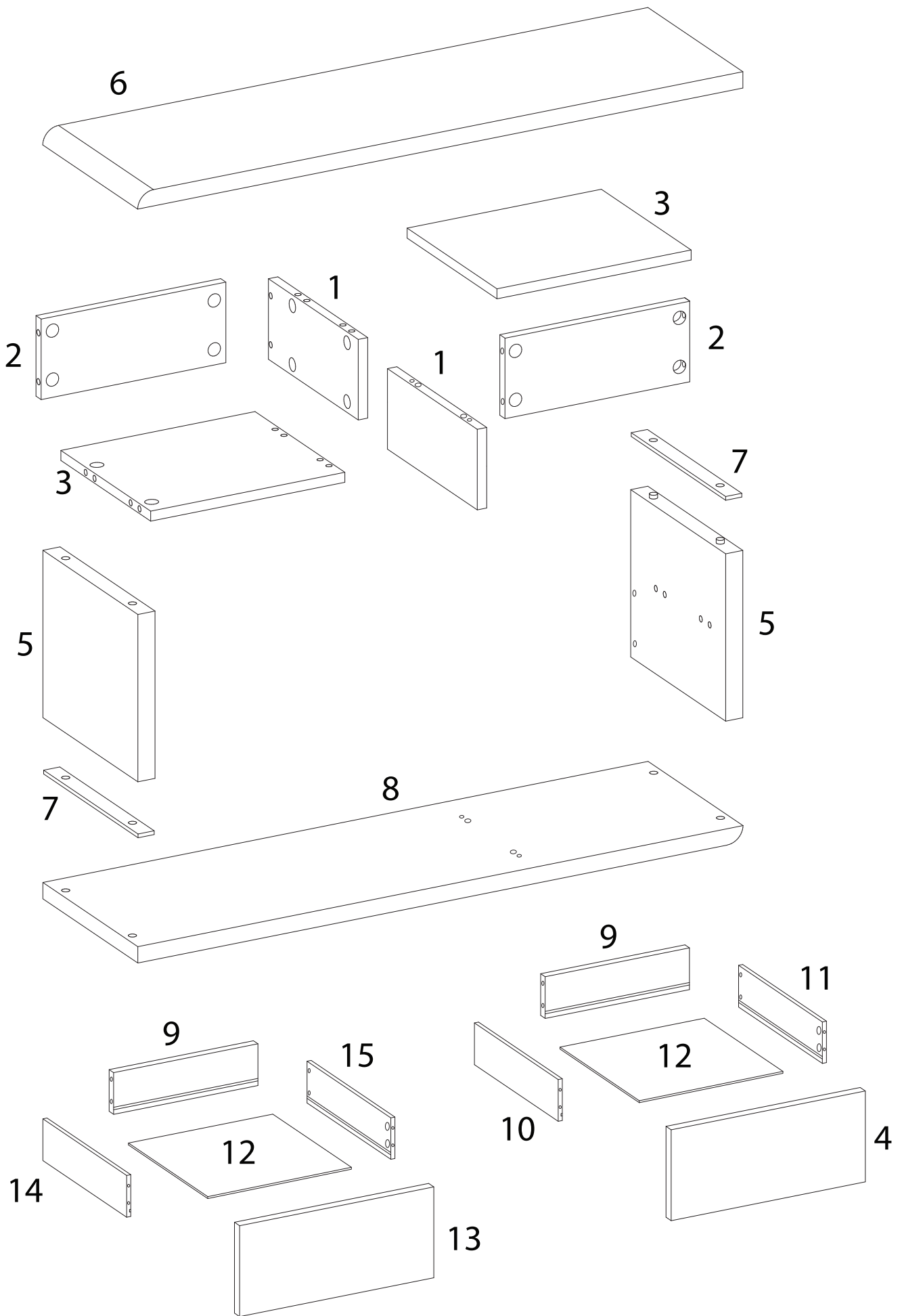
SPOKAN



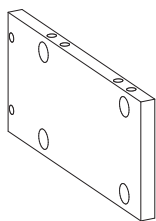


Assembly instructions for step 1/15:

- Tools:** A circle containing a screwdriver and a hex key, with a power drill crossed out by a diagonal line. A warning triangle with an exclamation mark is positioned to the right.
- Time:** A clock icon with the text "60'" below it, indicating a 60-minute assembly time.
- Personnel:** A person icon with the number "2" below it, indicating that two people are required for assembly.
- Warning:** A second warning triangle with an exclamation mark is positioned above the person icon.

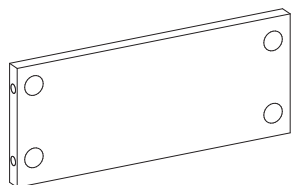


1



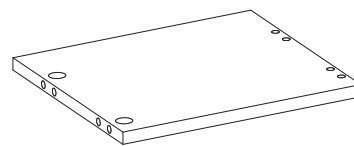
x 2

2



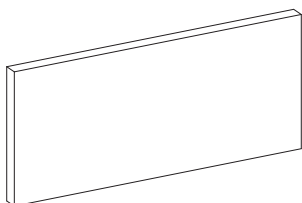
x 2

3



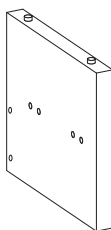
x 2

4



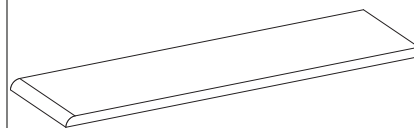
x 1

5



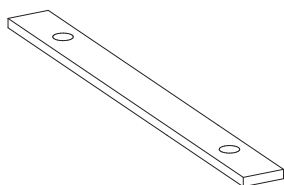
x 2

6



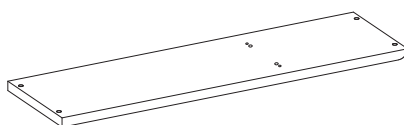
x 1

7



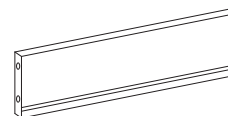
x 2

8



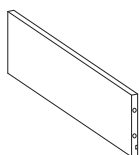
x 1

9



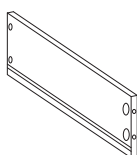
x 2

10



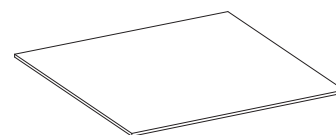
x 1

11



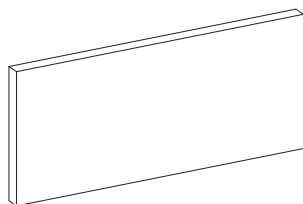
x 1

12



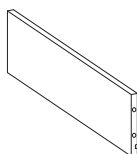
x 2

13



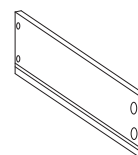
x 1

14



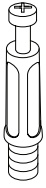
x 1

15



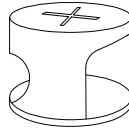
x 1

A1



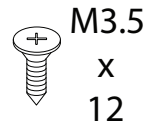
x 36

A2



x 36

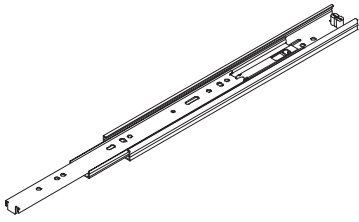
B



M3.5
x
12

x 16

C



x 4

D



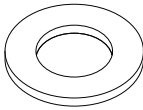
x 12

E



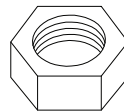
x 4

F



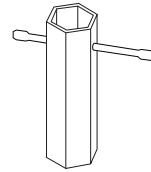
x 4

G



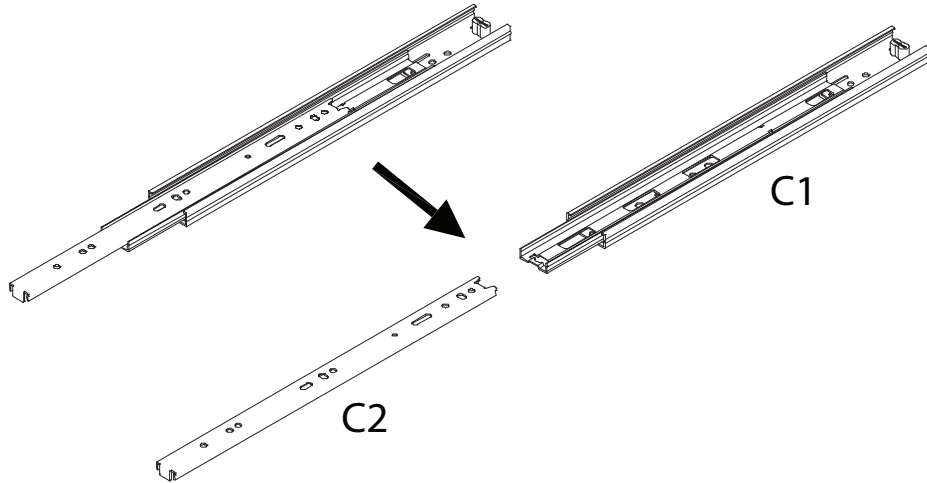
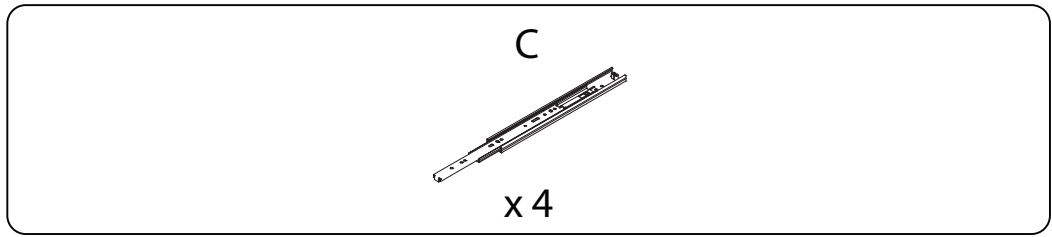
x 4

H

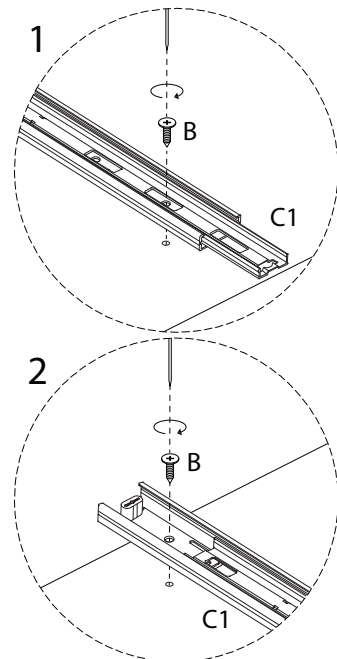
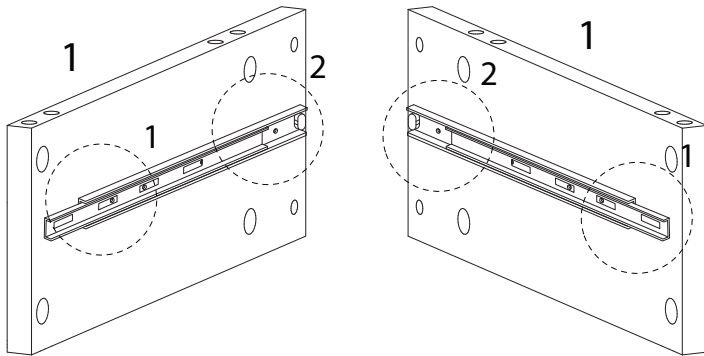
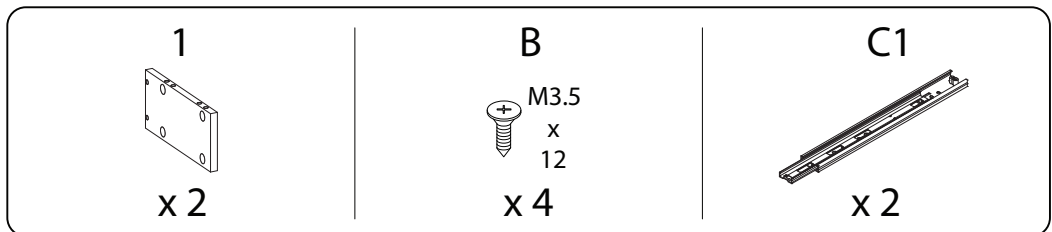


x 1

1



2

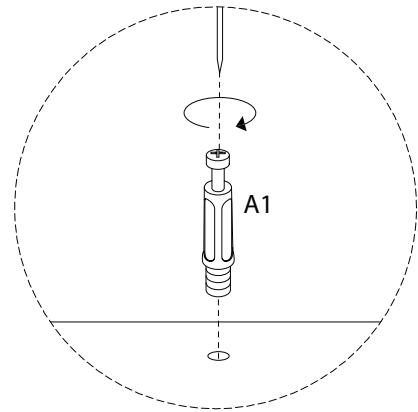
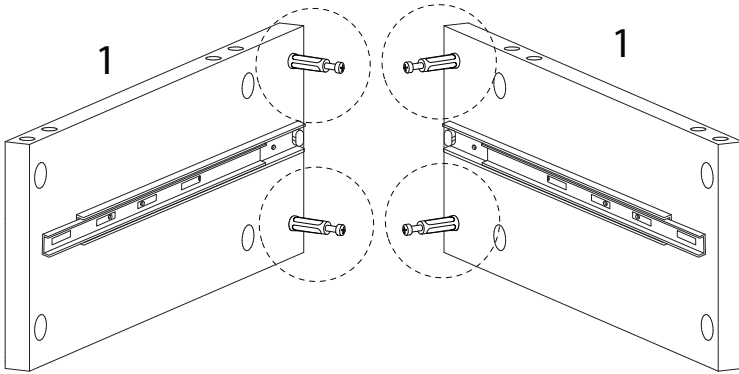


3

A1

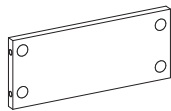


x 4



4

2

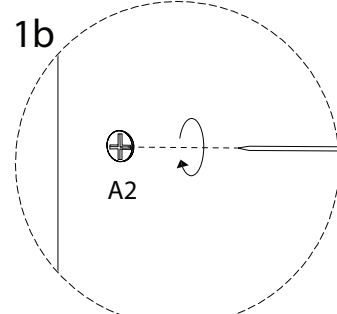
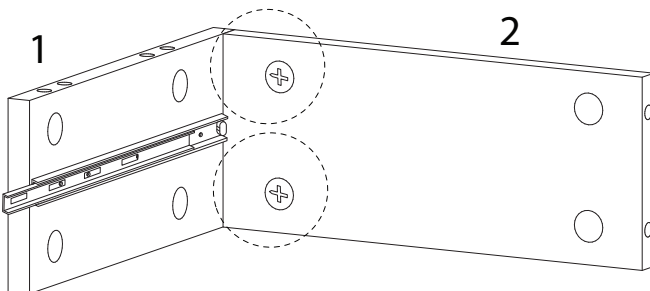
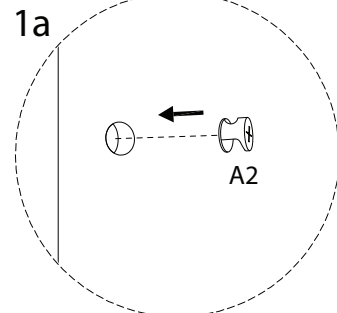
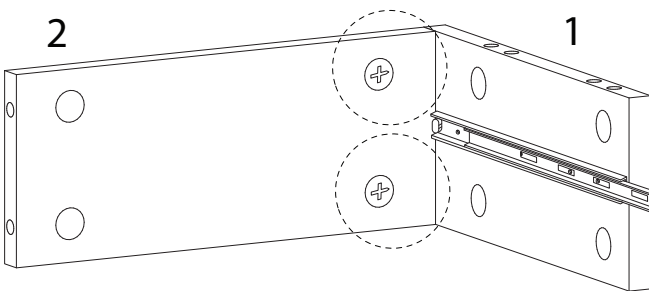


x 2

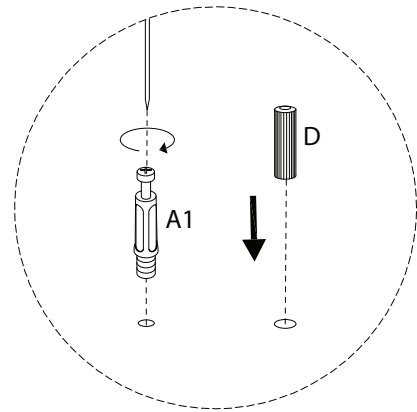
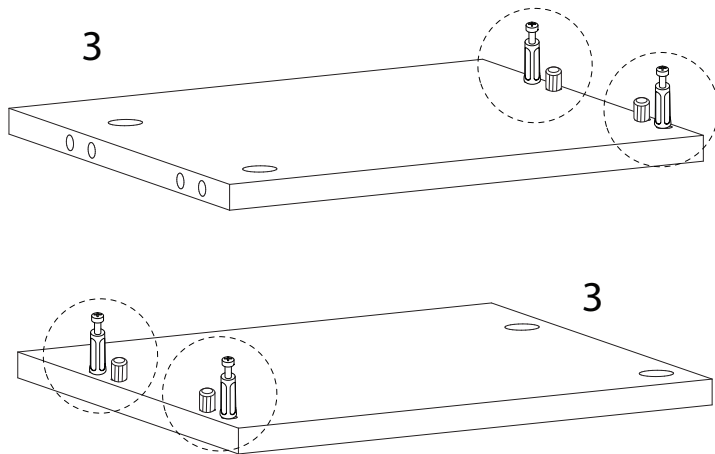
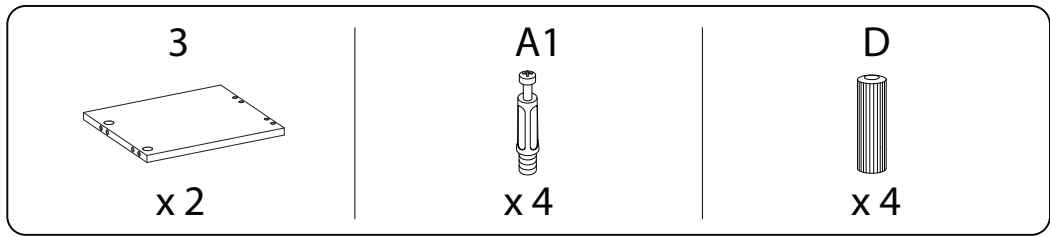
A2



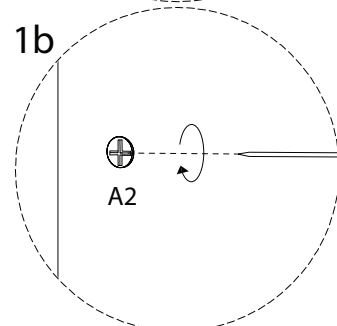
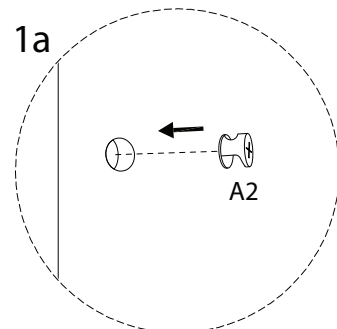
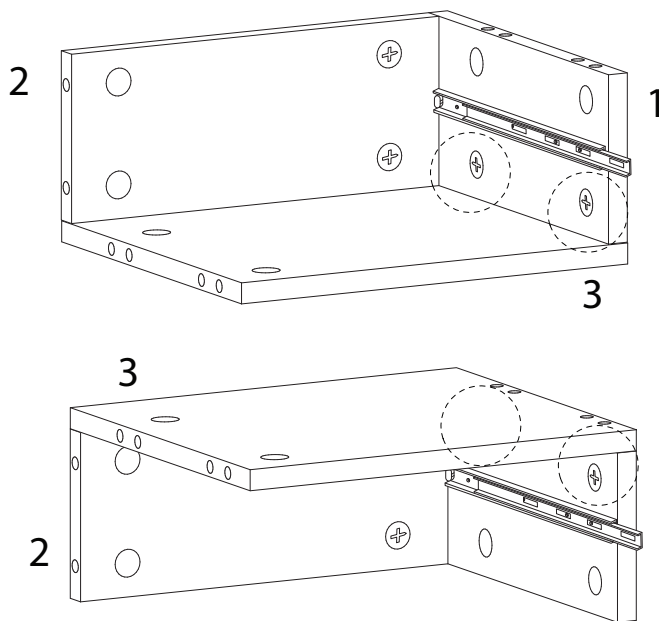
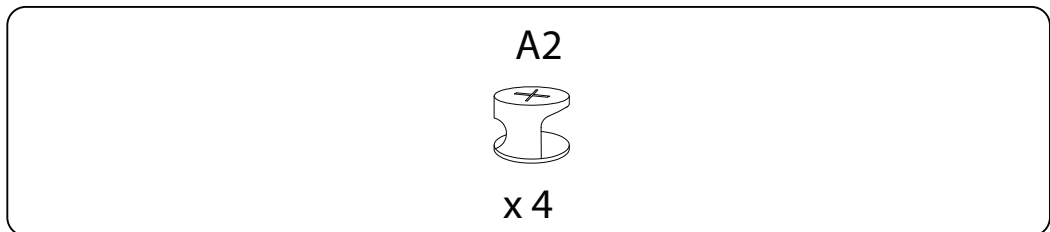
x 4



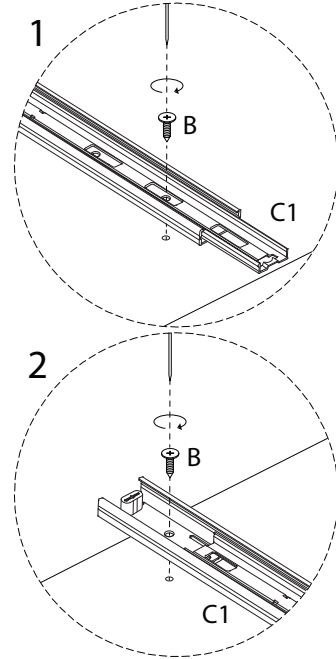
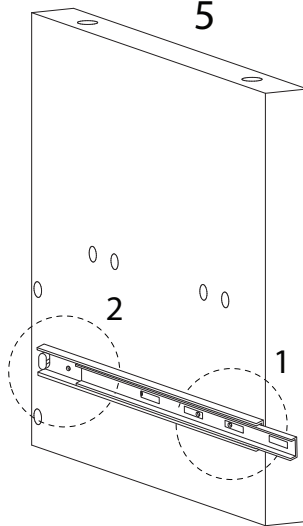
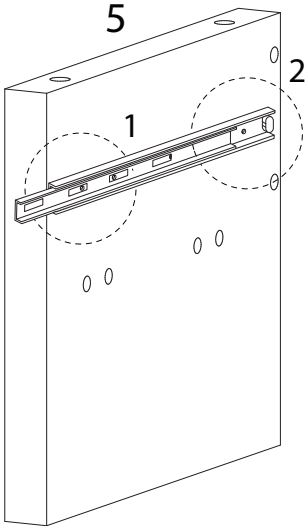
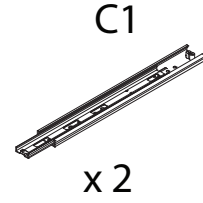
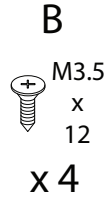
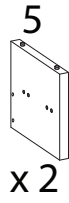
5



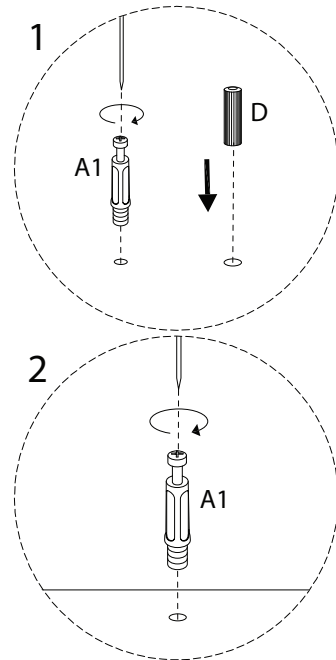
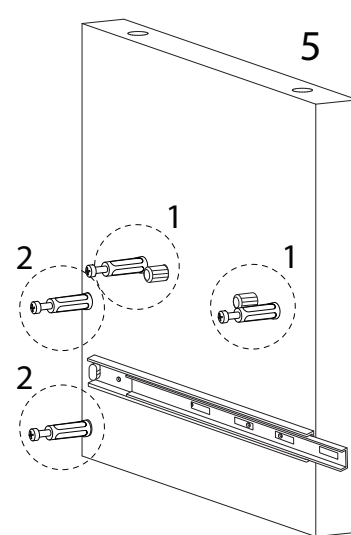
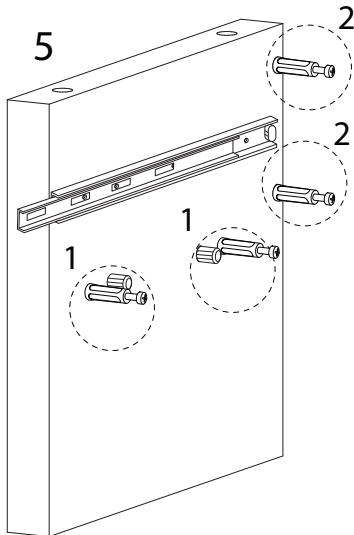
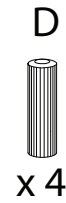
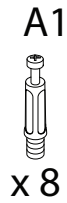
6



7



8

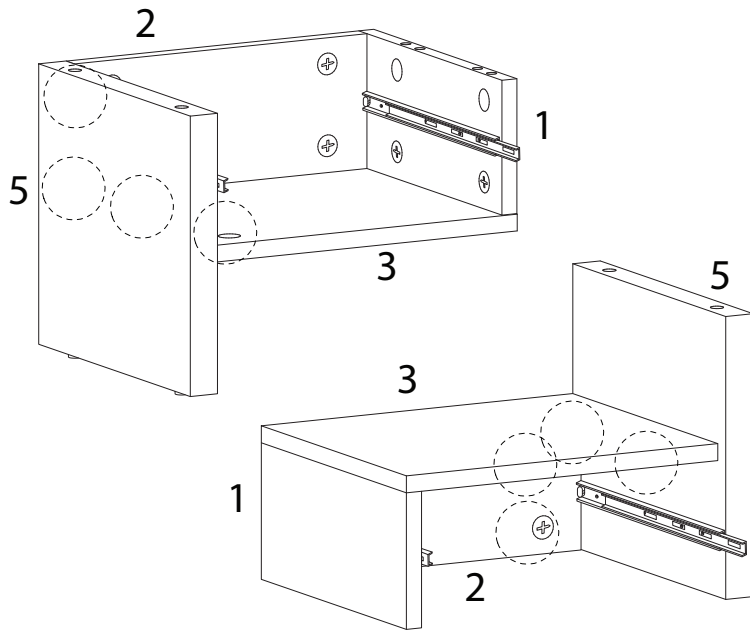


9

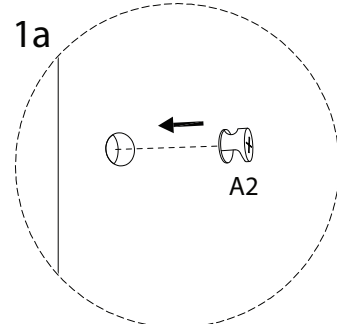
A2



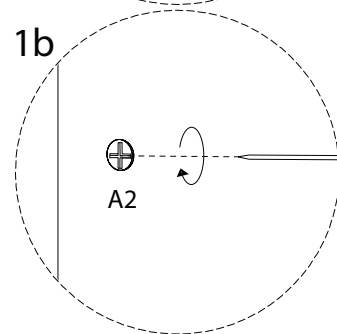
x 8



1a

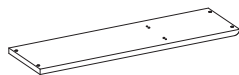


1b



10

6

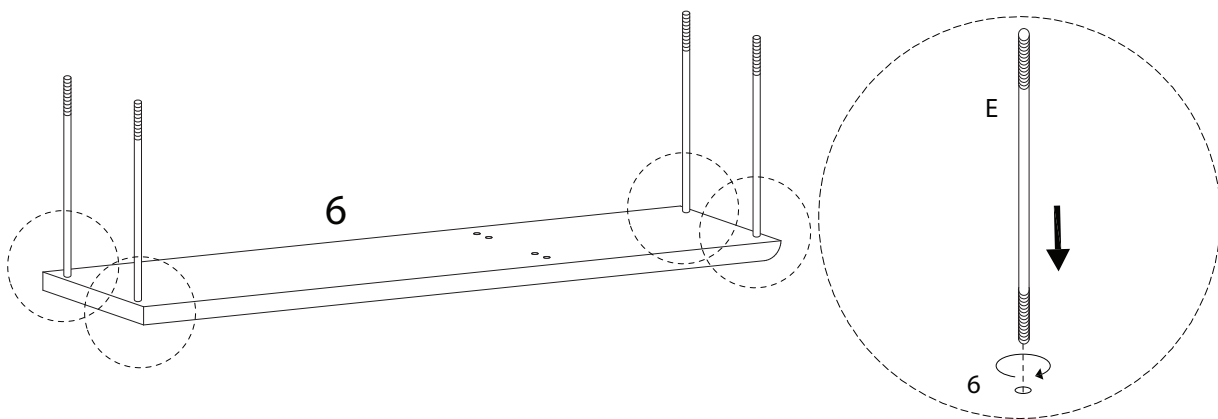


x 1

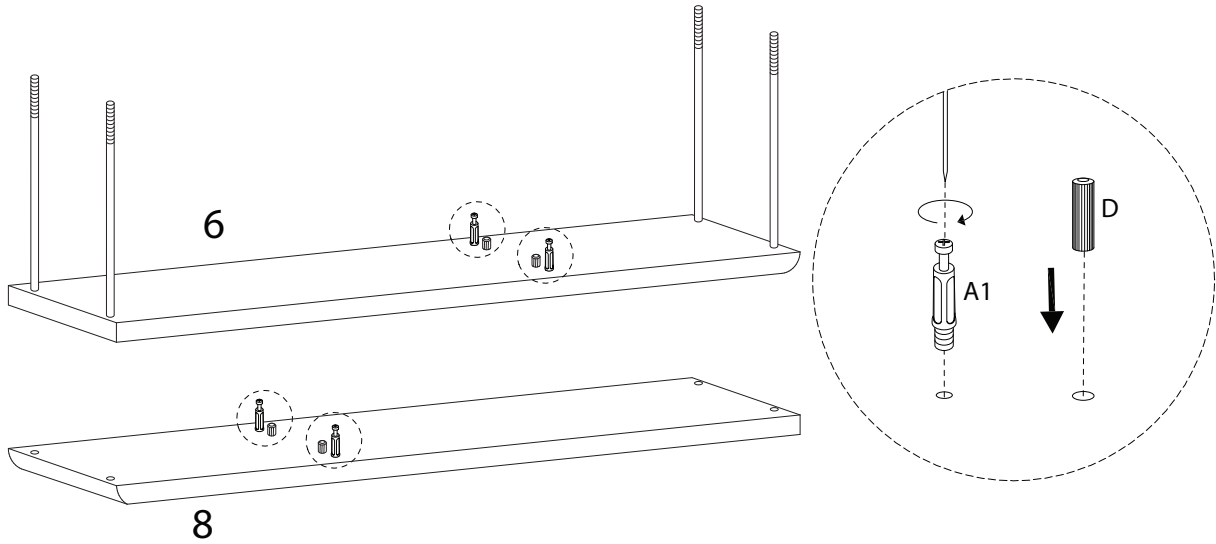
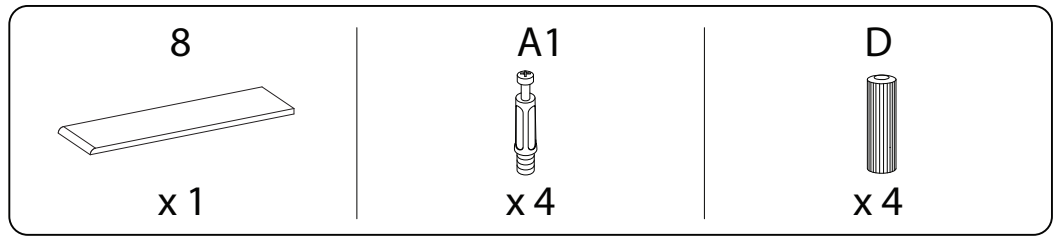
E



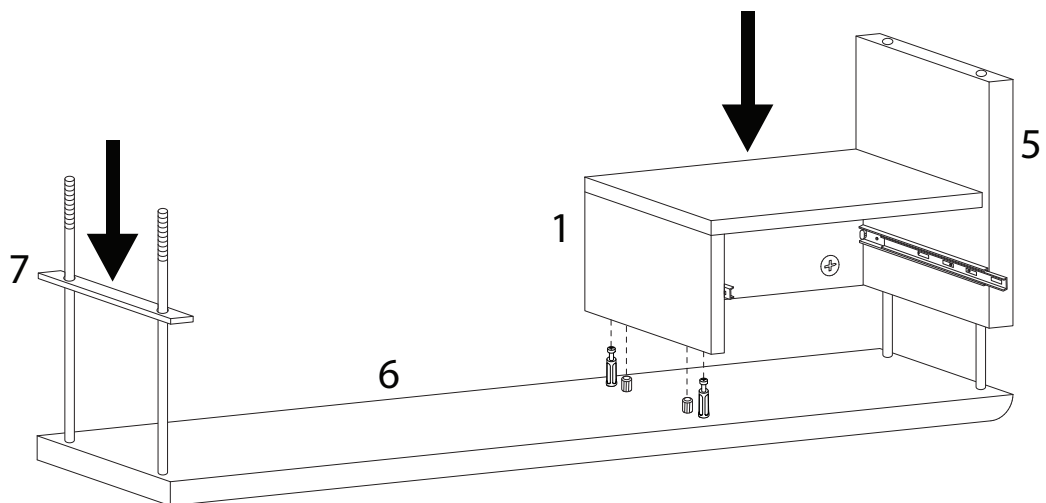
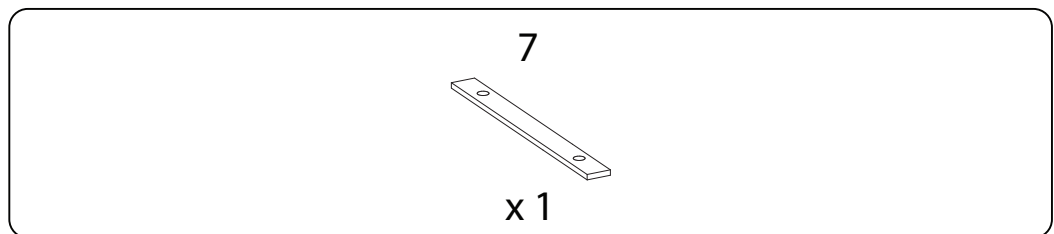
x 4



11



12

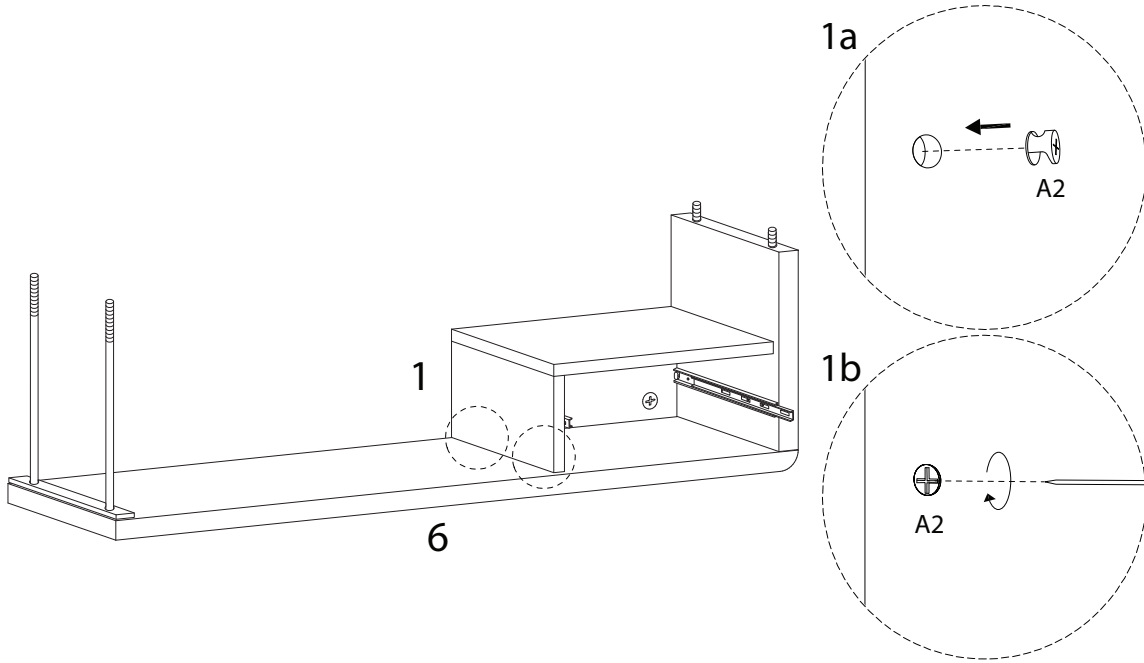


13

A2

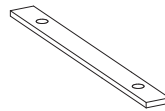


x 2

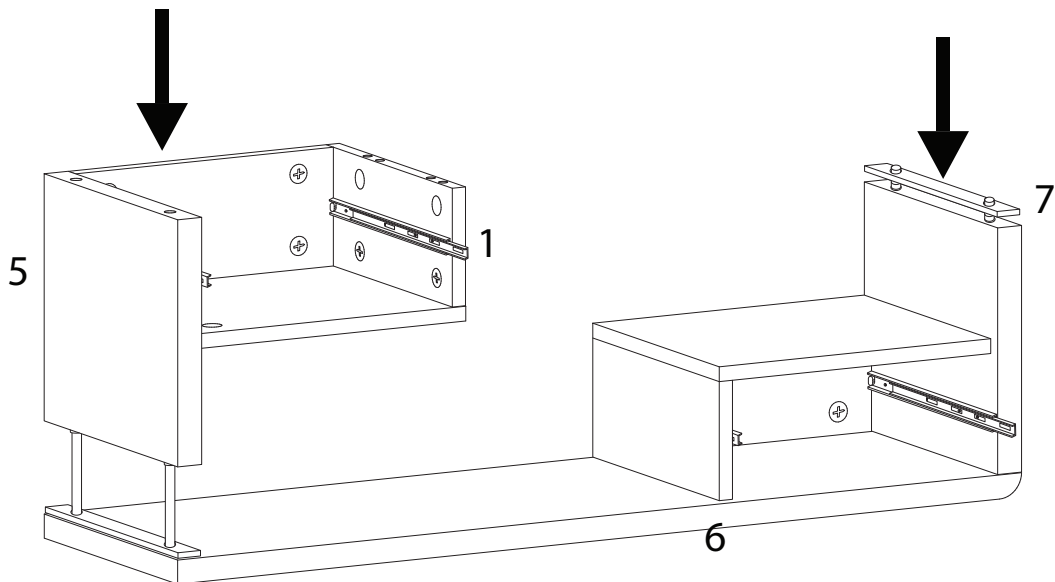


14

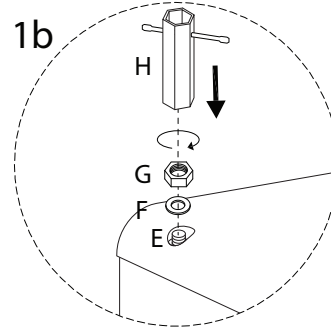
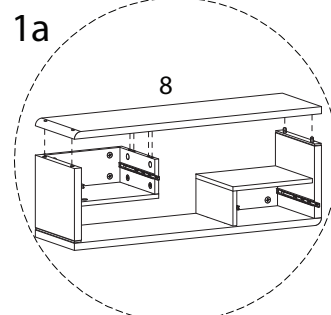
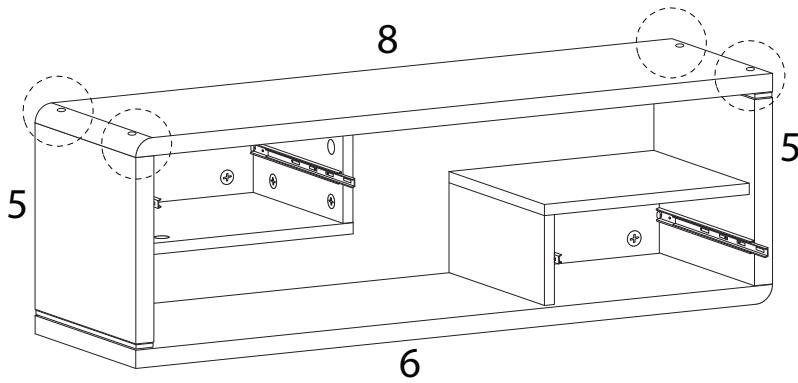
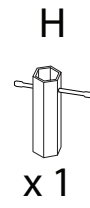
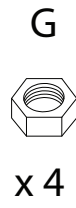
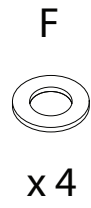
7



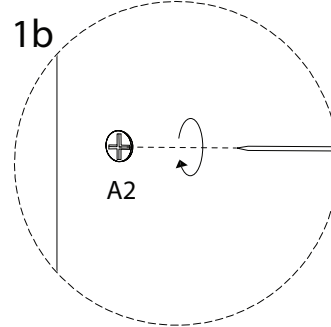
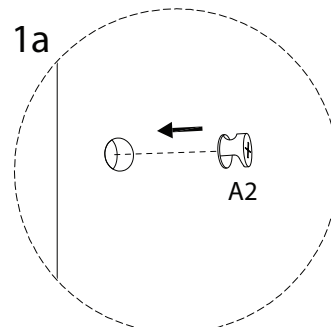
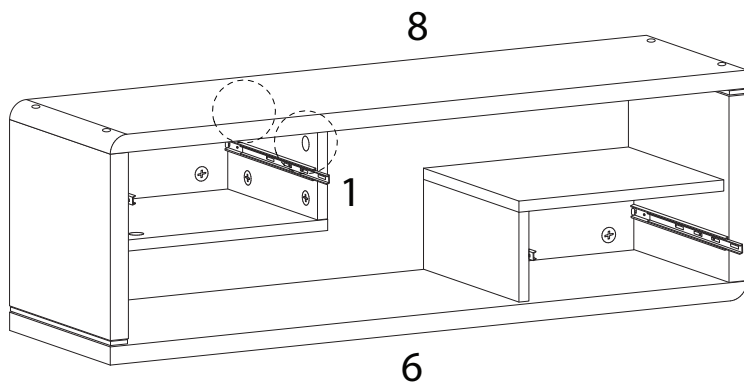
x 1




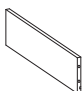
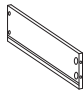

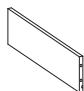
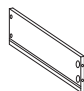

15

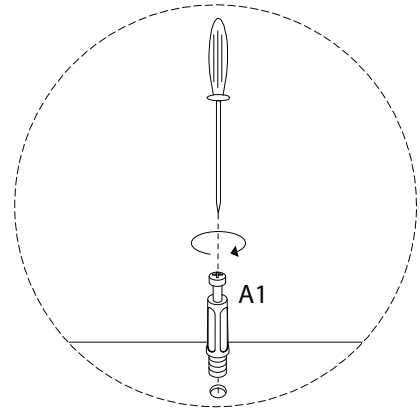
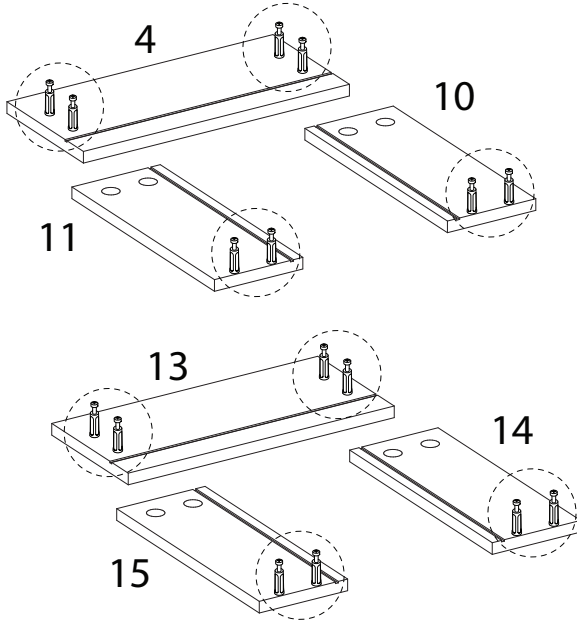


16

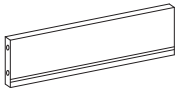
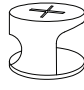


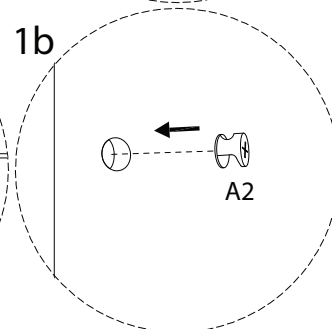
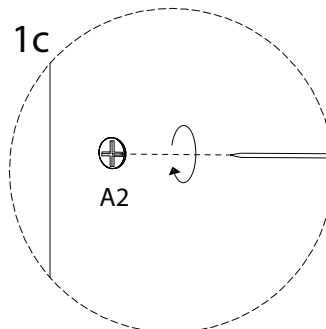
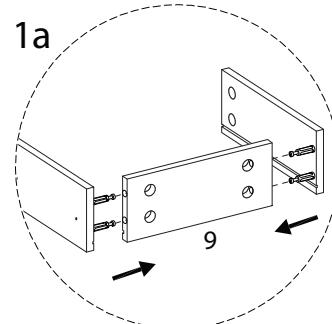
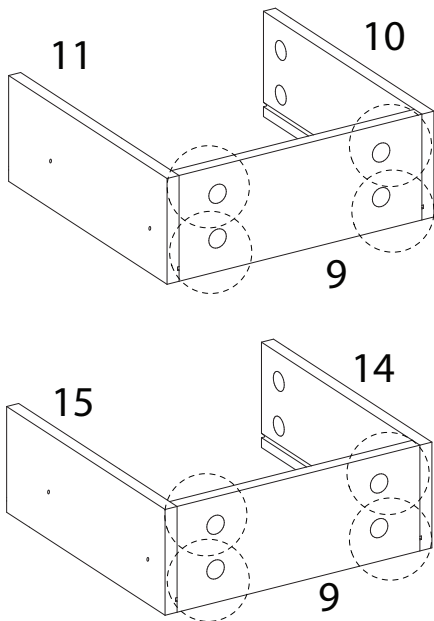
17

4  x 1	10  x 1	11  x 1	13  x 1	14  x 1	15  x 1	A1  x 16
-----------------------------------------------------------------------------------------------	------------------------------------------------------------------------------------------------	------------------------------------------------------------------------------------------------	------------------------------------------------------------------------------------------------	--------------------------------------------------------------------------------------------------	--------------------------------------------------------------------------------------------------	---------------------------------------------------------------------------------------------------



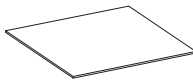
18

9  x 2	A2  x 8
-------------------------------------------------------------------------------------------------	----------------------------------------------------------------------------------------------------

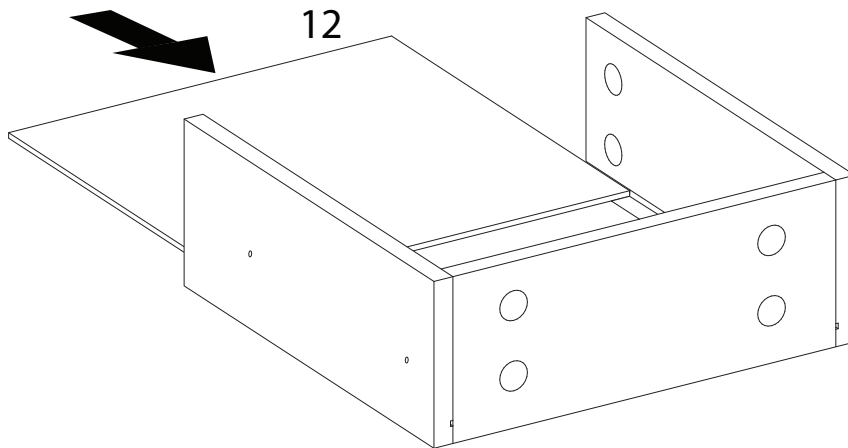


19 x 2

12



x 1

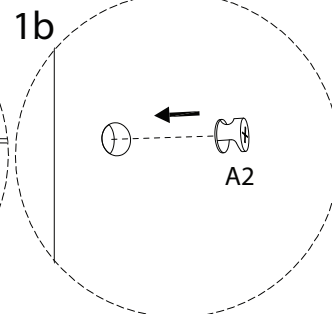
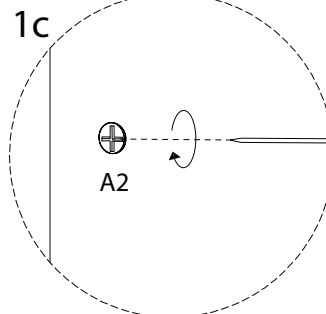
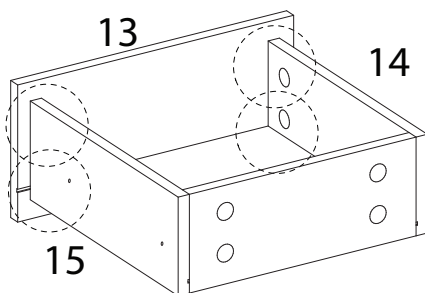
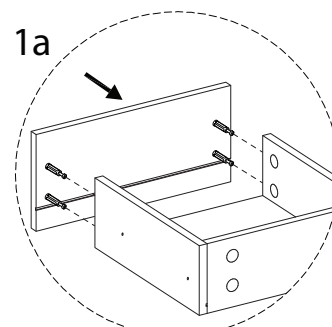
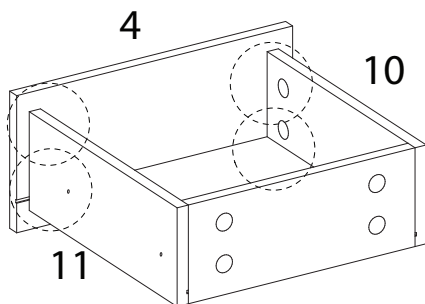


20

A2



x 8



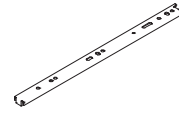
21 x 2

B

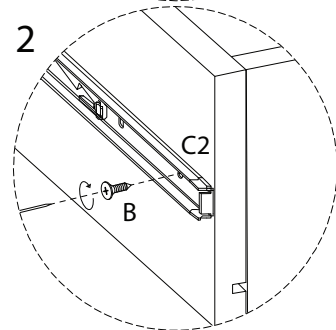
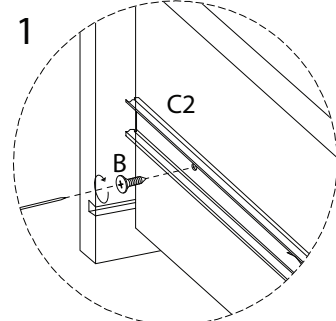
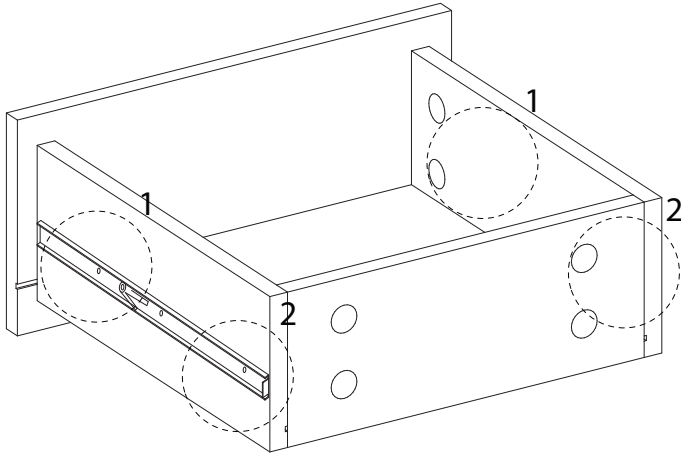


x 4

C2



x 2



22

