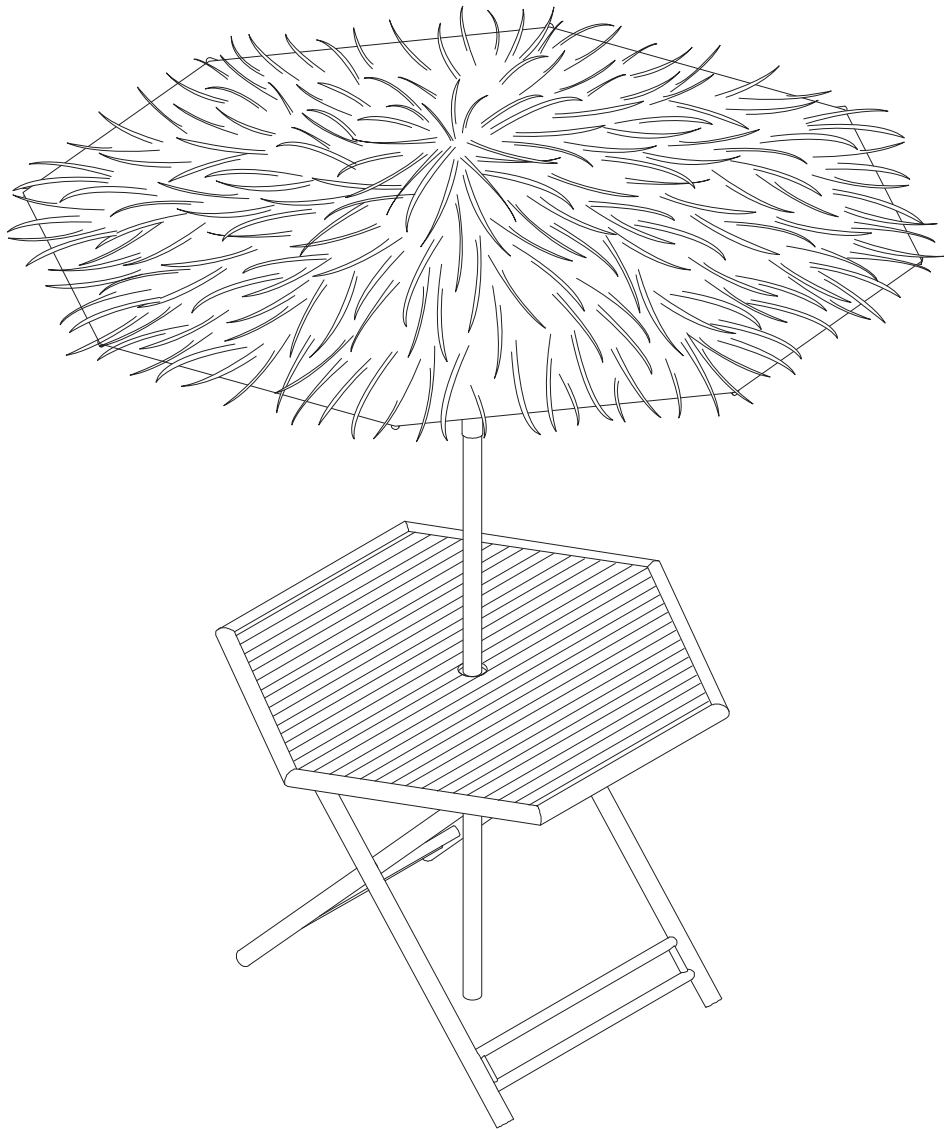
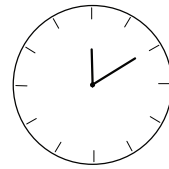
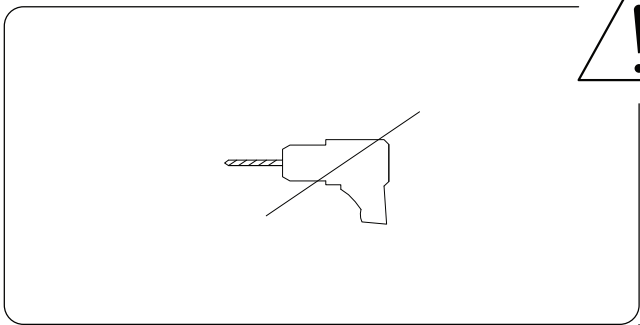
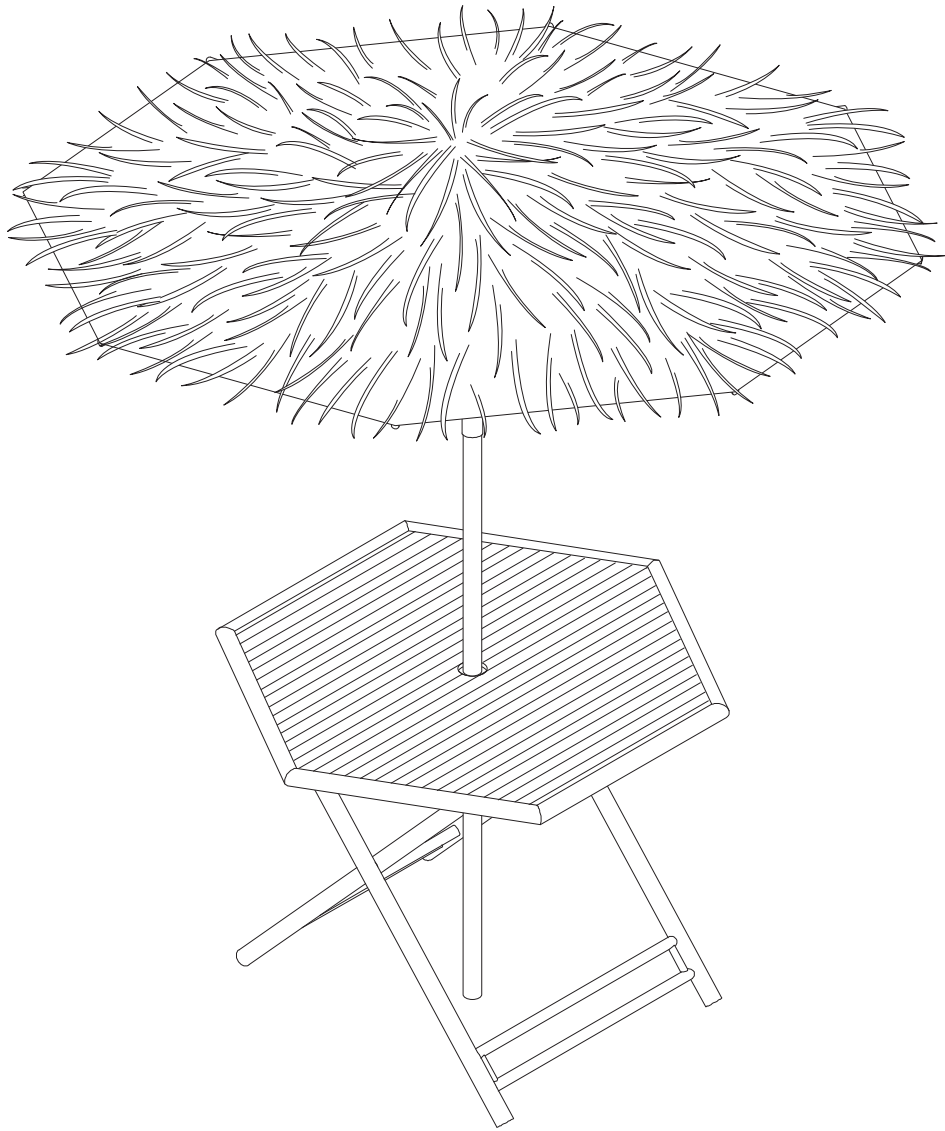
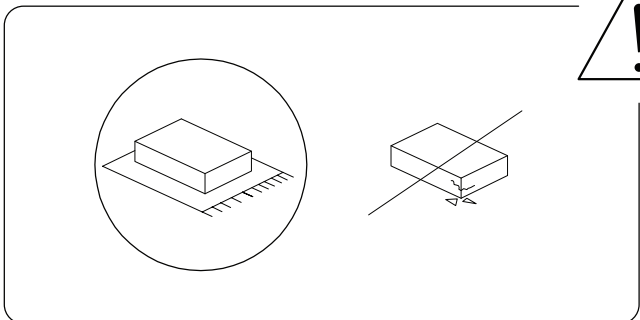


MOLISE





10'



2

1/5

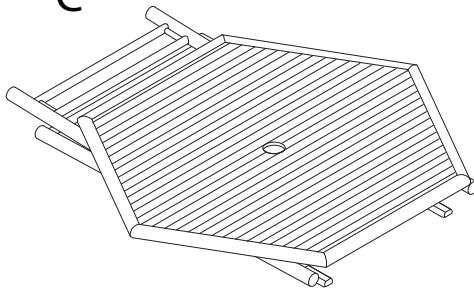
A



B



C



A



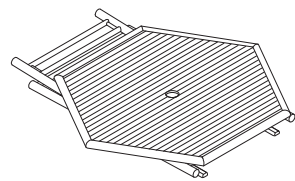
x 1

B



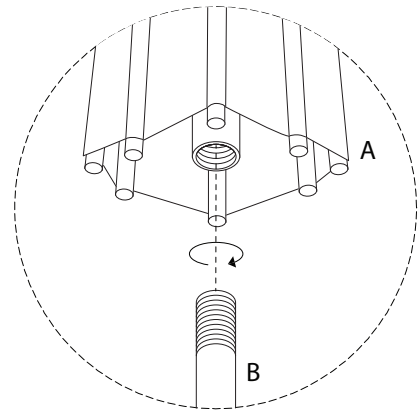
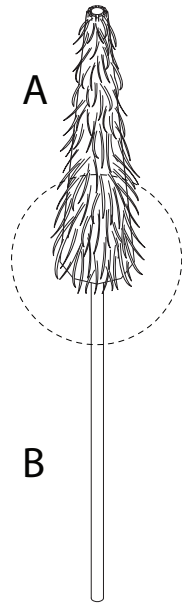
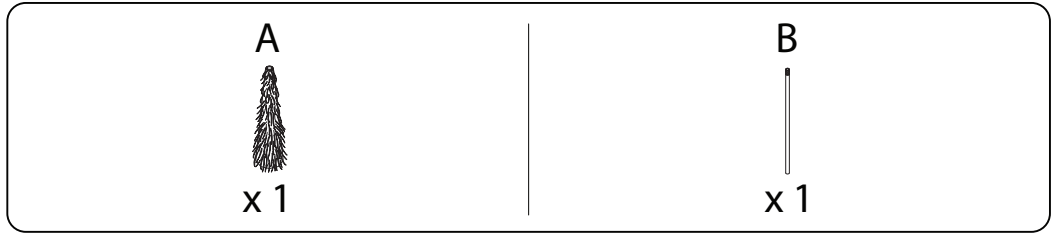
x 1

C

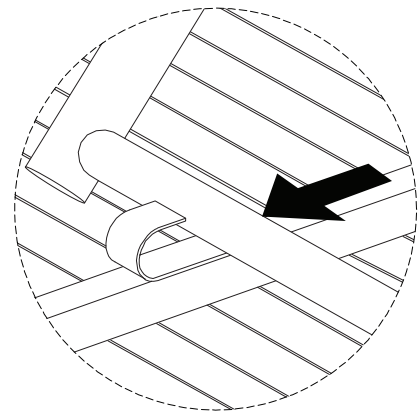
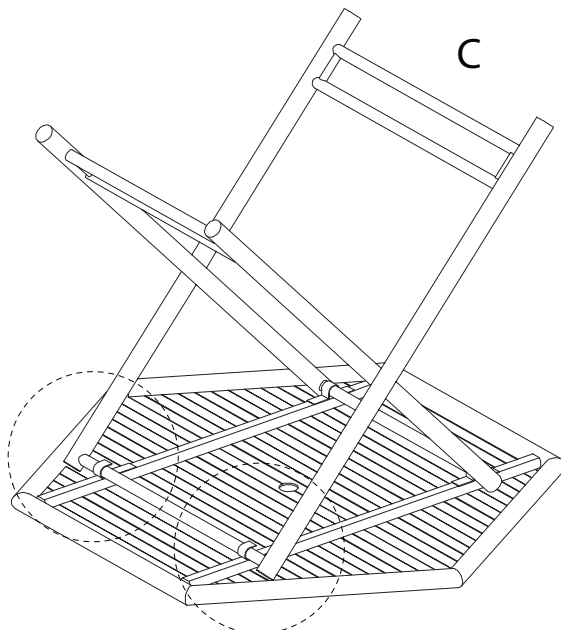
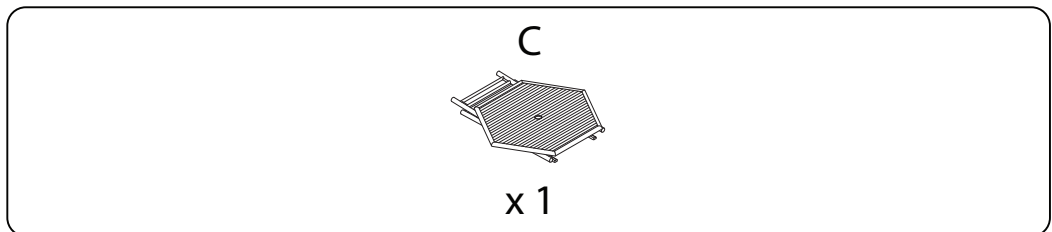


x 1

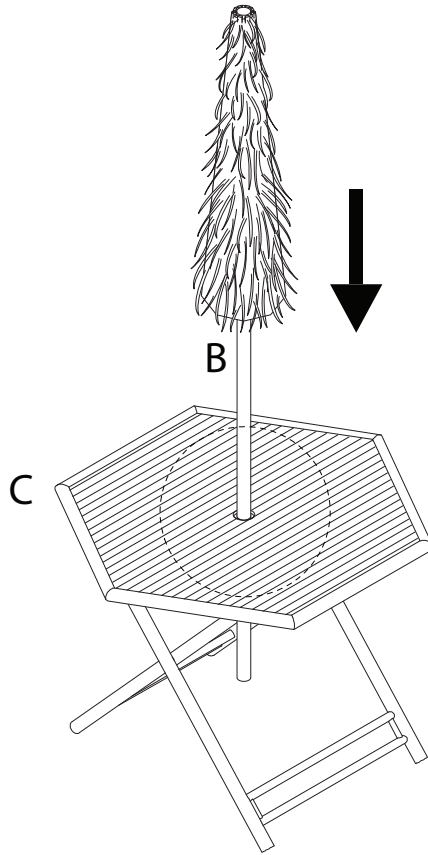
1



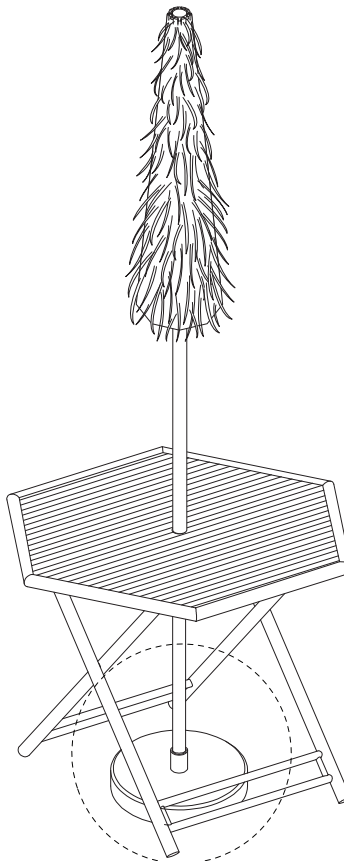
2



3



!



4/5

4

